



US00D598956S

(12) **United States Design Patent**  
**Matsushita et al.**

(10) **Patent No.:** **US D598,956 S**  
(45) **Date of Patent:** **\*\* Aug. 25, 2009**

(54) **CARTRIDGE FOR COATING FILM TRANSFER TOOL**

D555,200 S \* 11/2007 Ono ..... D19/69  
FOREIGN PATENT DOCUMENTS

(75) Inventors: **Kinya Matsushita**, Osaka (JP); **Hideto Shima**, Yawata (JP)

JP 1224356 12/2004  
JP 1240284 5/2005

(73) Assignee: **Kokuyo Co., Ltd.**, Osaka-Shi, Osaka (JP)

OTHER PUBLICATIONS

(\*\*) Term: **14 Years**

English language abstract for Publication No. JP1224356 dated Sep. 7, 1989 from esp@cenet, 1 page.  
English language abstract for Publication No. JP1240284 dated Sep. 25, 1989 from esp@cenet, 1 page.

(21) Appl. No.: **29/305,339**

\* cited by examiner

(22) Filed: **Mar. 18, 2008**

*Primary Examiner*—Cathron C Brooks  
*Assistant Examiner*—Austin Murphy

(30) **Foreign Application Priority Data**

(74) *Attorney, Agent, or Firm*—Osha • Liang LLP

Sep. 18, 2007 (JP) ..... 2007-025218

(57) **CLAIM**

(51) **LOC (9) Cl.** ..... **19-02**

The ornamental design for a cartridge for a coating film transfer tool, as shown and described.

(52) **U.S. Cl.** ..... **D19/69**

(58) **Field of Classification Search** ..... D19/66,  
D19/67, 68, 69, 70; 156/523, 257, 540, 577;  
206/411; 225/6, 25, 39, 77; 242/588, 588.1,  
242/588.2, 588.3, 588.6, 5

**DESCRIPTION**

See application file for complete search history.

FIG. 1 is a front view of the design for a cartridge for a coating film transfer tool according to the invention.

FIG. 2 is a rear view of the design according to the invention.

FIG. 3 is a top view of the design according to the invention.

FIG. 4 is a bottom view of the design according to the invention.

(56) **References Cited**

U.S. PATENT DOCUMENTS

- D421,059 S \* 2/2000 Shimizu ..... D19/69
- D456,450 S \* 4/2002 Kimura ..... D19/69
- D466,554 S \* 12/2002 Yonezawa et al. .... D19/67
- D476,035 S \* 6/2003 Katami ..... D19/69
- D476,687 S \* 7/2003 Katami ..... D19/69
- D492,730 S \* 7/2004 Suzuki ..... D19/69
- D494,623 S \* 8/2004 Huang ..... D19/69
- D508,085 S \* 8/2005 Herrmannsen et al. .... D19/69
- D542,846 S \* 5/2007 Suzuki ..... D19/69
- D543,239 S \* 5/2007 Suzuki ..... D19/69
- D543,240 S \* 5/2007 Suzuki ..... D19/69
- D555,199 S \* 11/2007 Ono ..... D19/69

FIG. 5 is a right side view of the design according to the invention.

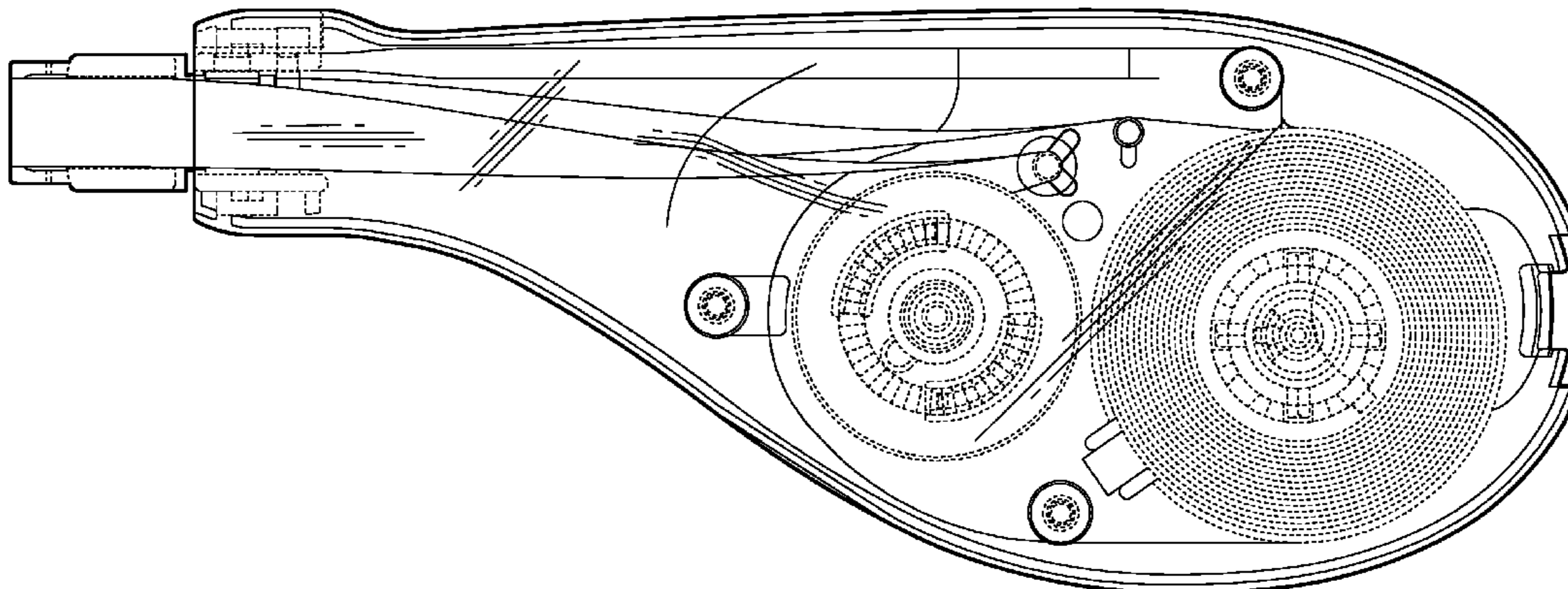
FIG. 6 is a left side view of the design according to the invention; and,

FIG. 7 is an additional front view thereof, with the unclaimed cartridge tape shown removed.

The elements shown in broken lines are for illustrative purposes only and form no part of the claimed design.

The portions shown in diagonal lines are transparent.

**1 Claim, 5 Drawing Sheets**



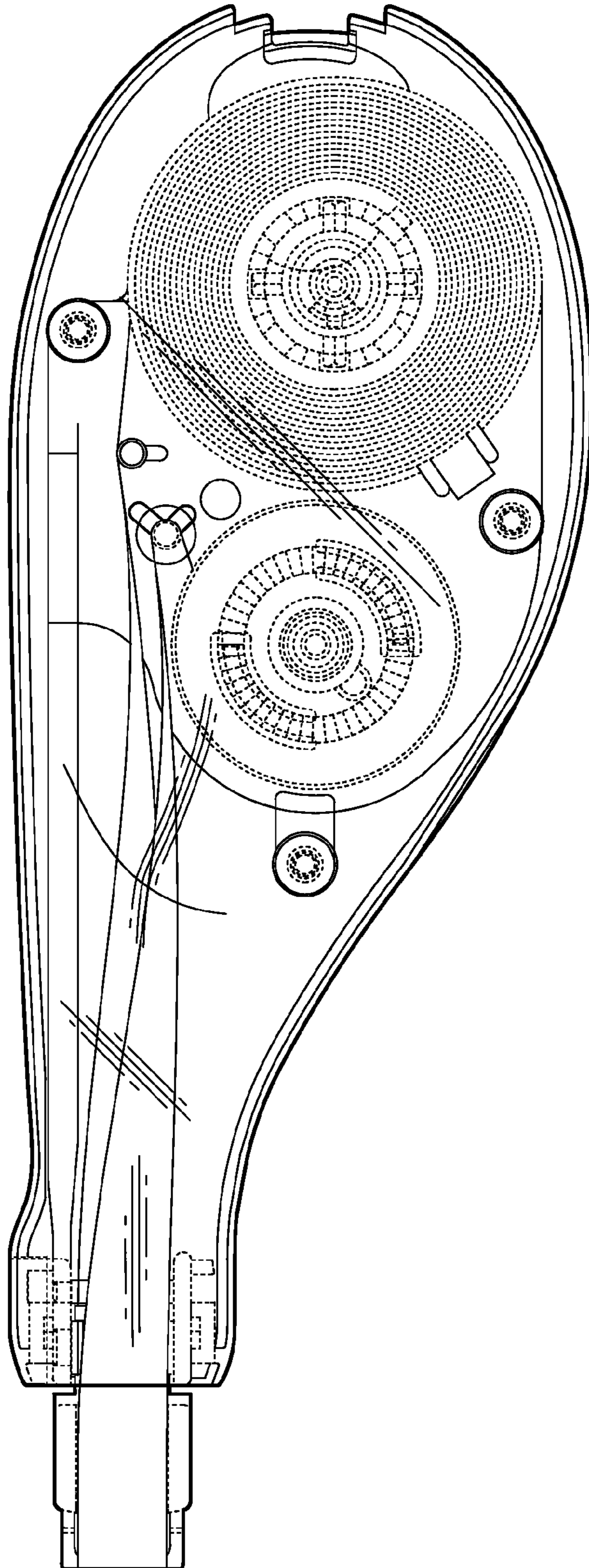


FIG. 1



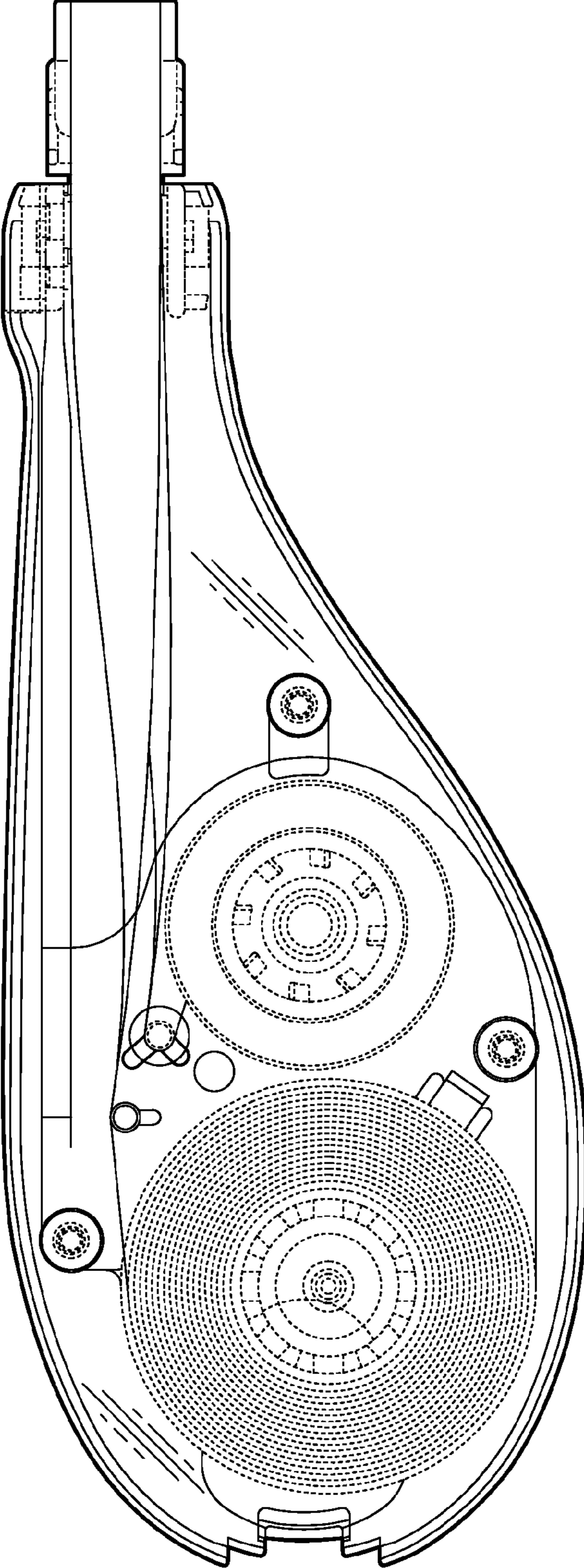


FIG. 2

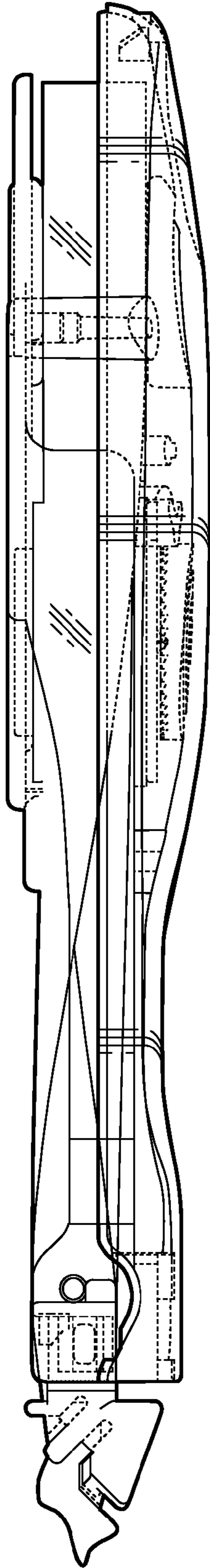


FIG. 3

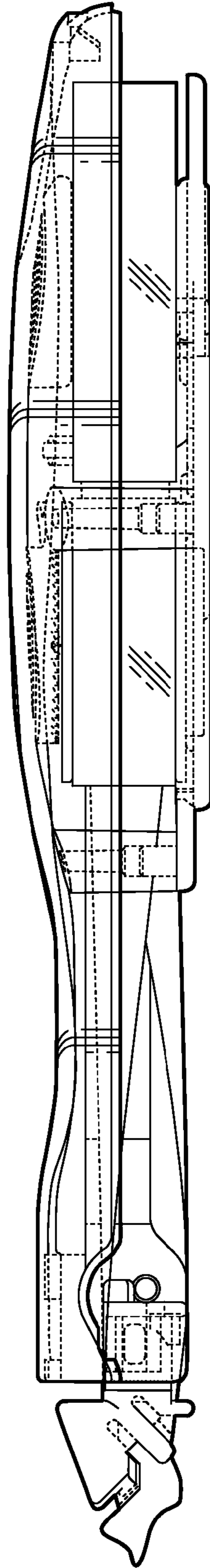


FIG. 4

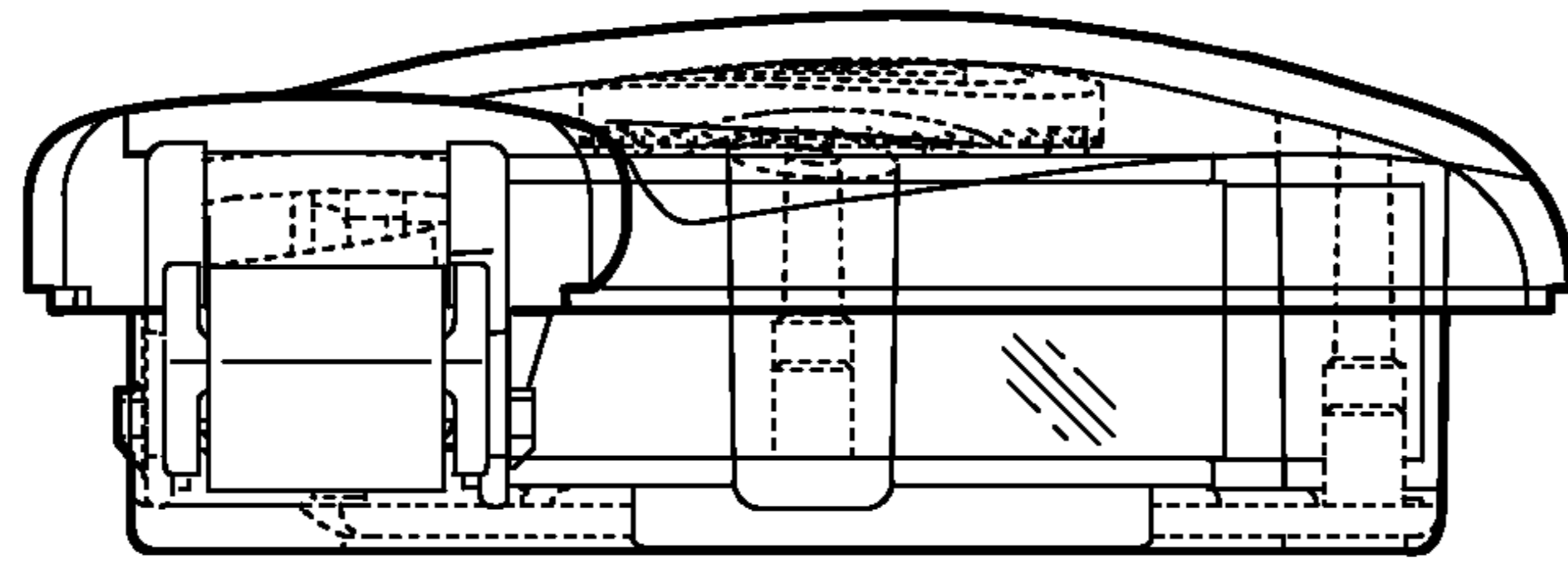


FIG. 6

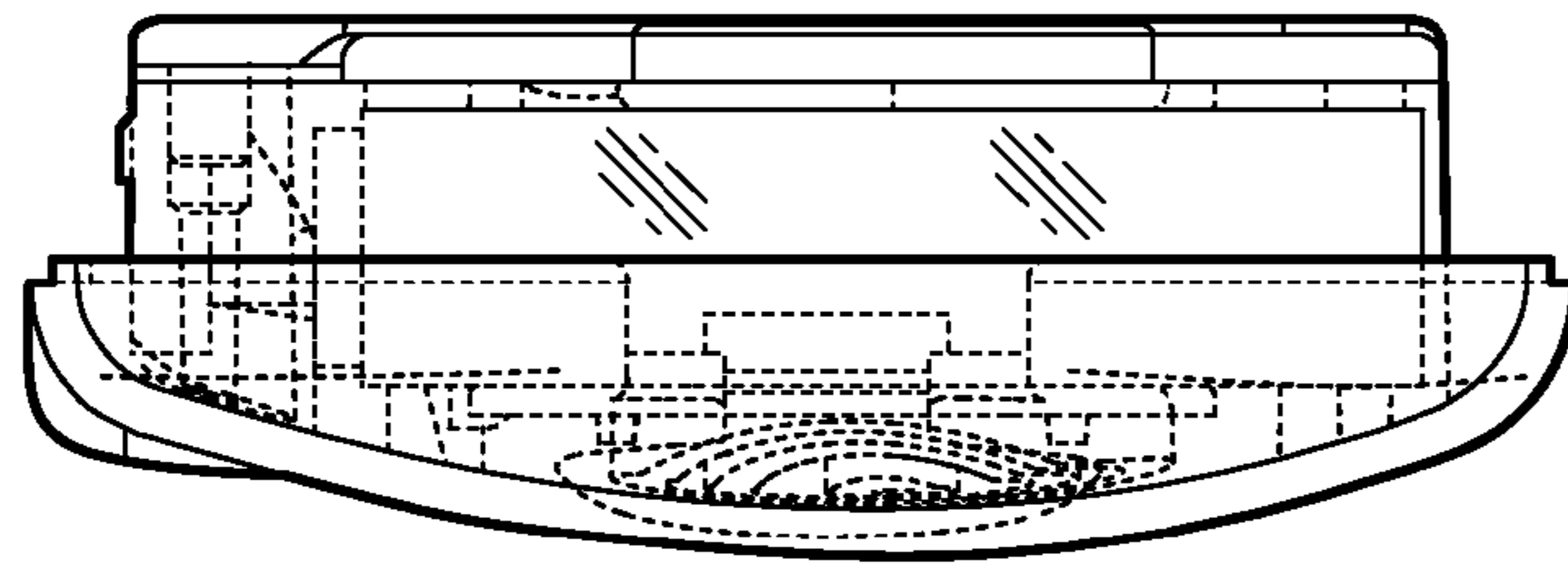


FIG. 5

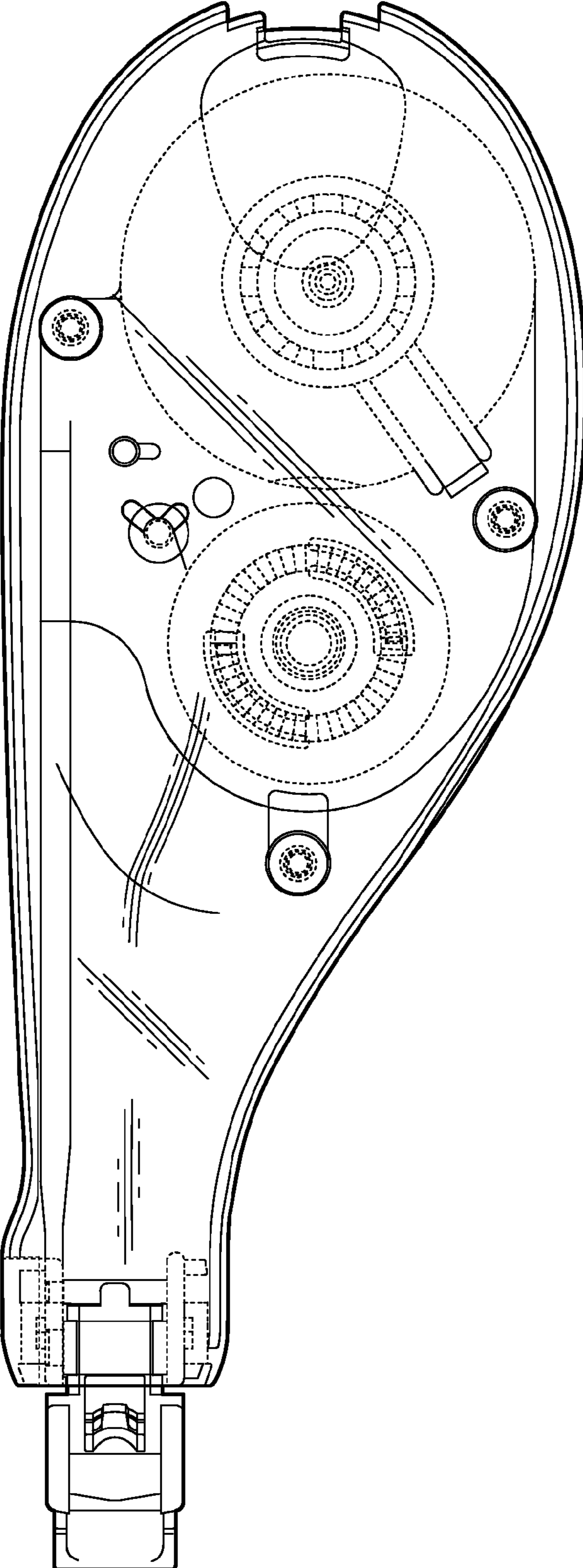


FIG. 7

UNITED STATES PATENT AND TRADEMARK OFFICE  
**CERTIFICATE OF CORRECTION**

PATENT NO. : Des. 598,956 S  
APPLICATION NO. : 29/305339  
DATED : August 25, 2009  
INVENTOR(S) : Kinya Matsushita et al.

Page 1 of 3

It is certified that error appears in the above-identified patent and that said Letters Patent is hereby corrected as shown below:

Delete the title page and substitute therefore the attached title page.

In the Drawings, sheet 1 of 5, figure 1, is incorrect. Please replace the drawing with the replacement drawing sheet 1 of 5 enclosed.

Signed and Sealed this

Third Day of November, 2009



David J. Kappos  
*Director of the United States Patent and Trademark Office*



(12) **United States Design Patent**  
**Matsushita et al.**

(10) **Patent No.:** **US D598,956 S**  
(45) **Date of Patent:** **\*\* Aug. 25, 2009**

(54) **CARTRIDGE FOR COATING FILM TRANSFER TOOL**

D555,200 S \* 11/2007 Ono ..... D19/69

**FOREIGN PATENT DOCUMENTS**

(75) **Inventors:** **Kinya Matsushita**, Osaka (JP); **Hideto Shima**, Yawata (JP)

JP 1224356 12/2004  
 JP 1240284 5/2005

**OTHER PUBLICATIONS**

(73) **Assignee:** **Kokuyo Co., Ltd.**, Osaka-Shi, Osaka (JP)

English language abstract for Publication No. JP1224356 dated Sep. 7, 1989 from esp@cenet, 1 page.  
 English language abstract for Publication No. JP1240284 dated Sep. 25, 1989 from esp@cenet, 1 page.

(\*\*) **Term:** **14 Years**

\* cited by examiner

(21) **Appl. No.:** **29/305,339**

(22) **Filed:** **Mar. 18, 2008**

*Primary Examiner*—Cathron C Brooks  
*Assistant Examiner*—Austin Murphy  
(74) *Attorney, Agent, or Firm*—Osha • Liang LLP

(30) **Foreign Application Priority Data**

Sep. 18, 2007 (JP) ..... 2007-025218

(51) **LOC (9) Cl.** ..... **19-02**

(52) **U.S. Cl.** ..... **D19/69**

(58) **Field of Classification Search** ..... D19/66,  
 D19/67, 68, 69, 70; 156/523, 257, 540, 577;  
 206/411; 225/6, 25, 39, 77; 242/588, 588.1,  
 242/588.2, 588.3, 588.6. 5

See application file for complete search history.

(56) **References Cited**

**U.S. PATENT DOCUMENTS**

D421,059 S *	2/2000	Shimizu	.....	D19/69
D456,450 S *	4/2002	Kimura	.....	D19/69
D466,554 S *	12/2002	Yonezawa et al.	.....	D19/67
D476,035 S *	6/2003	Katami	.....	D19/69
D476,687 S *	7/2003	Katami	.....	D19/69
D492,730 S *	7/2004	Suzuki	.....	D19/69
D494,623 S *	8/2004	Huang	.....	D19/69
D508,085 S *	8/2005	Herrmannsen et al.	.....	D19/69
D542,846 S *	5/2007	Suzuki	.....	D19/69
D543,239 S *	5/2007	Suzuki	.....	D19/69
D543,240 S *	5/2007	Suzuki	.....	D19/69
D555,199 S *	11/2007	Ono	.....	D19/69

(57) **CLAIM**

The ornamental design for a cartridge for a coating film transfer tool, as shown and described.

**DESCRIPTION**

FIG. 1 is a front view of the design for a cartridge for a coating film transfer tool according to the invention.

FIG. 2 is a rear view of the design according to the invention.

FIG. 3 is a top view of the design according to the invention.

FIG. 4 is a bottom view of the design according to the invention.

FIG. 5 is a right side view of the design according to the invention.

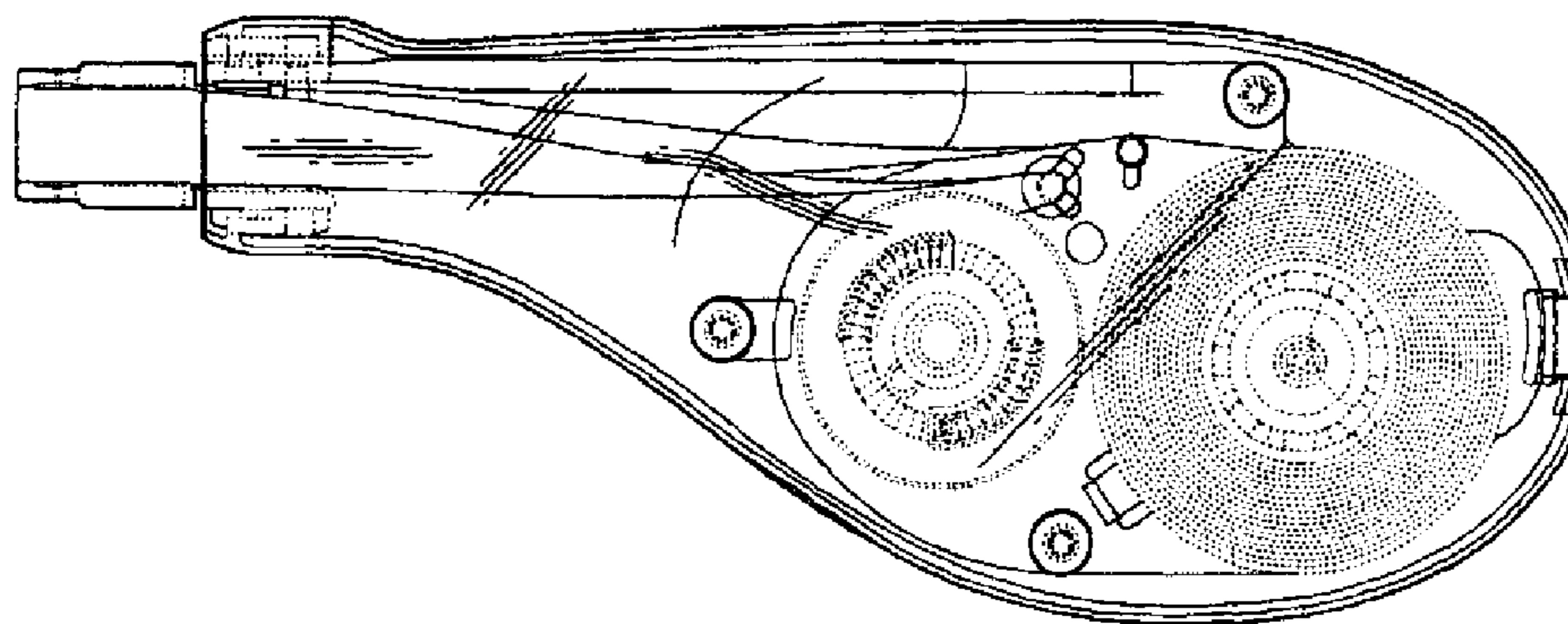
FIG. 6 is a left side view of the design according to the invention; and,

FIG. 7 is an additional front view thereof, with the unclaimed cartridge tape shown removed.

The elements shown in broken lines are for illustrative purposes only and form no part of the claimed design.

The portions shown in diagonal lines are transparent.

**1 Claim, 5 Drawing Sheets**





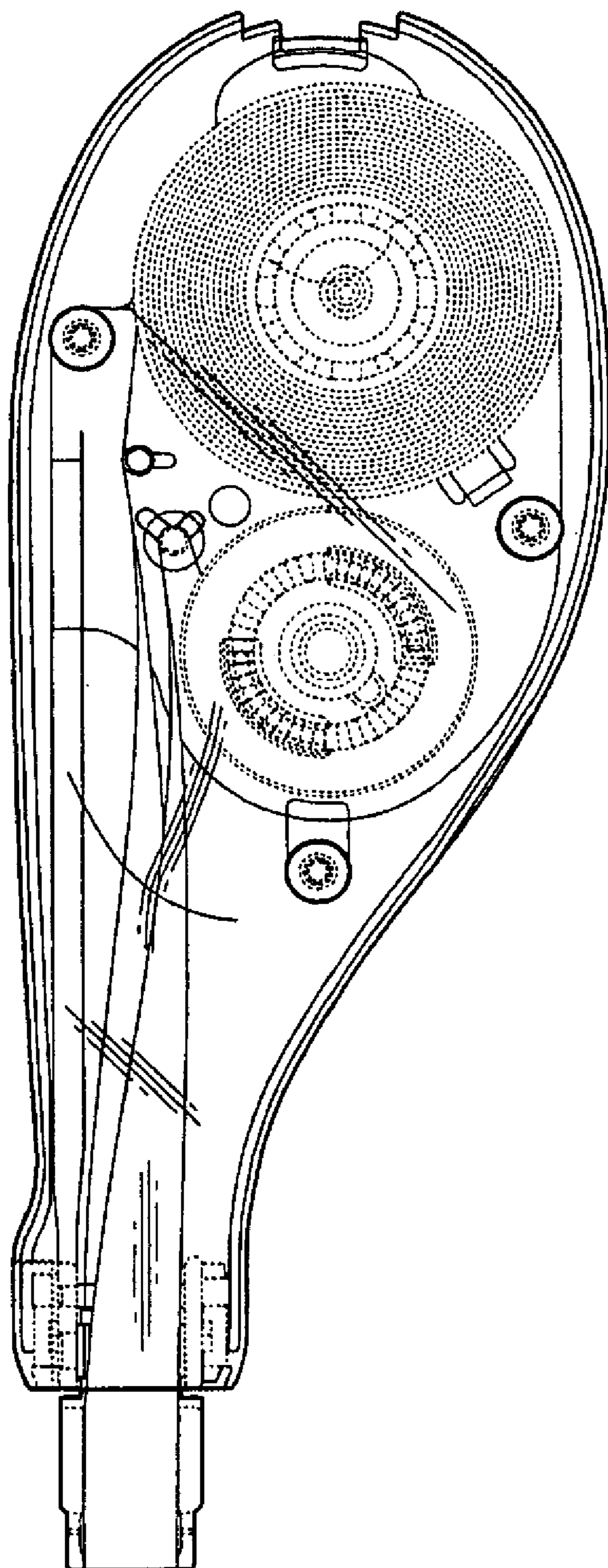


FIG. 1

UNITED STATES PATENT AND TRADEMARK OFFICE  
**CERTIFICATE OF CORRECTION**

PATENT NO. : Des. 598,956 S  
APPLICATION NO. : 29/305339  
DATED : August 25, 2009  
INVENTOR(S) : Kinya Matsushita et al.

Page 1 of 2

It is certified that error appears in the above-identified patent and that said Letters Patent is hereby corrected as shown below:

In the Drawings, sheet 3 of 5, figure 3, is incorrect. Please replace the drawing with the replacement drawing sheet 3 of 5 enclosed.

Signed and Sealed this

Twenty-second Day of December, 2009

A handwritten signature in black ink that reads "David J. Kappos". The signature is written in a cursive, flowing style.

David J. Kappos  
*Director of the United States Patent and Trademark Office*

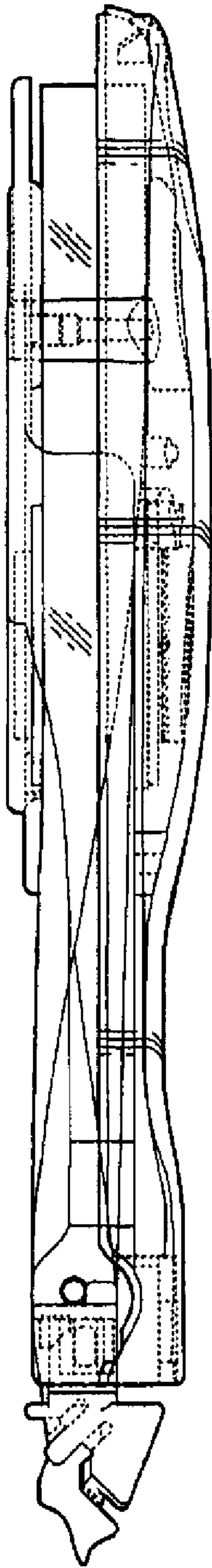


FIG. 3

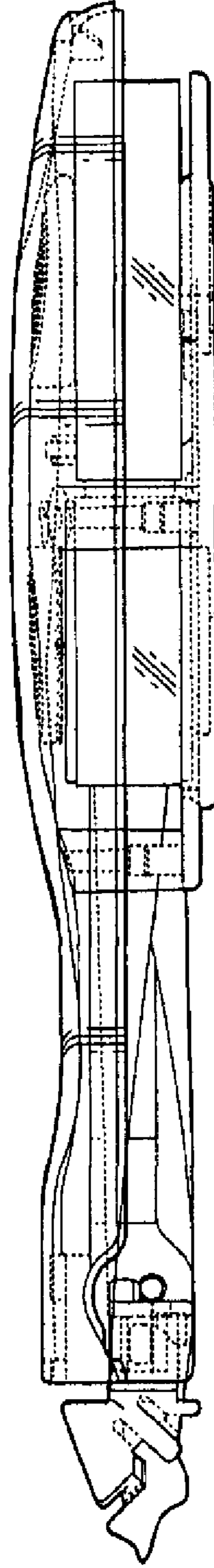


FIG. 4