



US00D598951S

(12) **United States Design Patent**
Kato et al.

(10) **Patent No.:** **US D598,951 S**

(45) **Date of Patent:** **** Aug. 25, 2009**

(54) **PRINTER**

(75) Inventors: **Hideki Kato**, Matsumoto (JP);
Yoshihiro Tatara, Matsumoto (JP);
Ichiro Yoshioka, Matsumoto (JP); **Toru Nakazawa**, Matsumoto (JP)

(73) Assignee: **Seiko Epson Corporation** (JP)

(**) Term: **14 Years**

(21) Appl. No.: **29/294,441**

(22) Filed: **Jan. 10, 2008**

(30) **Foreign Application Priority Data**

Aug. 27, 2007 (JP) 2007-023100

(51) **LOC (9) Cl.** **14-02**

(52) **U.S. Cl.** **D18/55**

(58) **Field of Classification Search** D18/36-39,
D18/19, 50, 54, 54.1, 55; D14/420-425,
D14/463-470; 400/613, 613.1-613.4, 690.1-690.4,
400/691-694

See application file for complete search history.

(56) **References Cited**

U.S. PATENT DOCUMENTS

- D390,258 S * 2/1998 Kawahara et al. D18/55
- D441,012 S * 4/2001 Kawahara et al. D18/55
- D516,621 S * 3/2006 Kobayashi et al. D18/55
- D522,047 S * 5/2006 Ko et al. D18/55

- D525,295 S * 7/2006 Suzuki et al. D18/55
- D536,373 S * 2/2007 Inoue et al. D18/55
- D546,875 S * 7/2007 Suzuki et al. D18/50
- D561,822 S * 2/2008 Tatara et al. D18/50
- D577,764 S * 9/2008 Yamano et al. D18/50

* cited by examiner

Primary Examiner—Cathy Anne MacCormac

(74) *Attorney, Agent, or Firm*—Harness, Dickey & Pierce, P.L.C.

(57) **CLAIM**

The ornamental design for a printer, as shown and described.

DESCRIPTION

FIG. 1 is a perspective view of a printer, embodying our new design;

FIG. 2 is a front view thereof;

FIG. 3 is a rear view thereof;

FIG. 4 is a left side view thereof;

FIG. 5 is a right side view thereof;

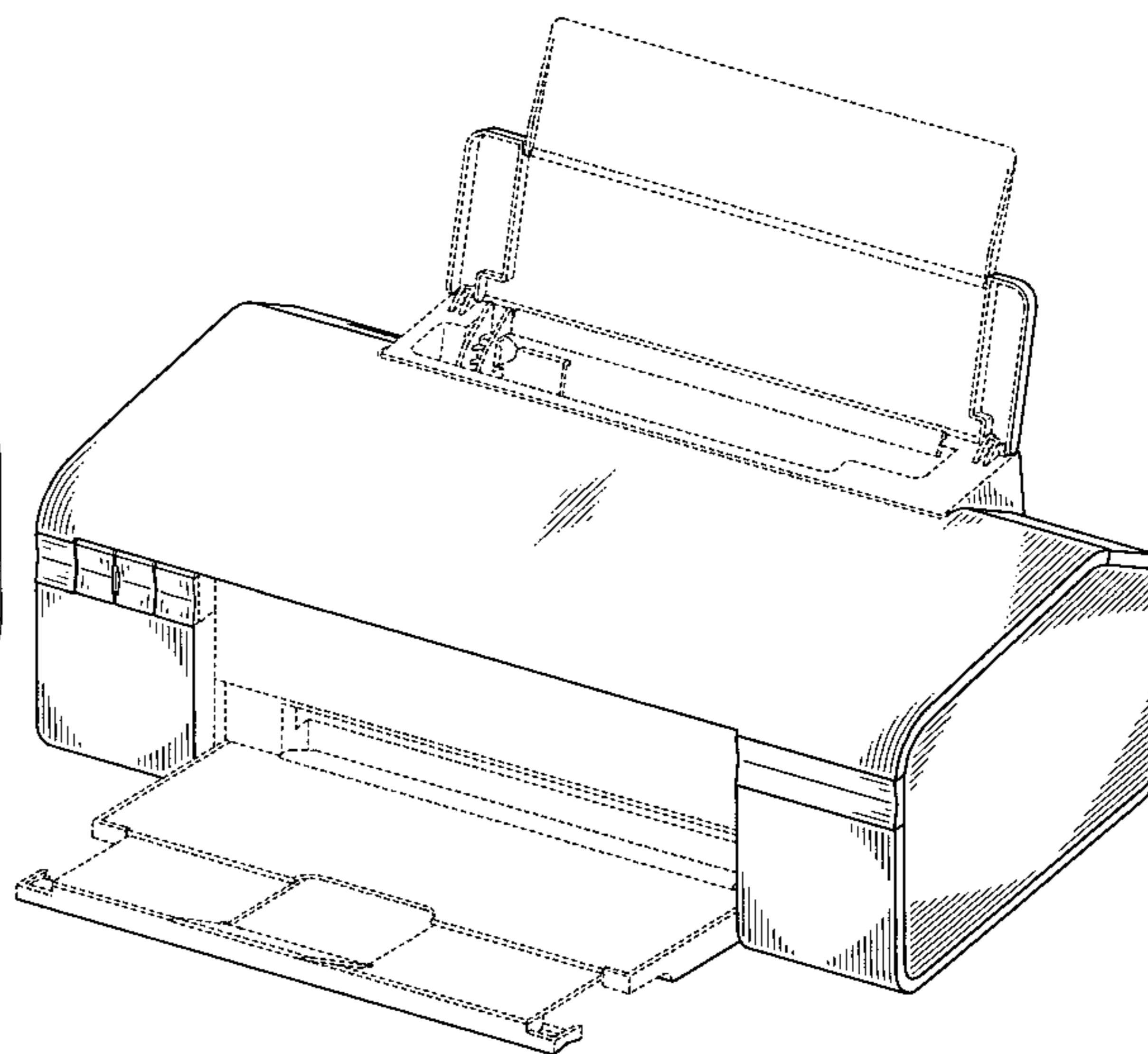
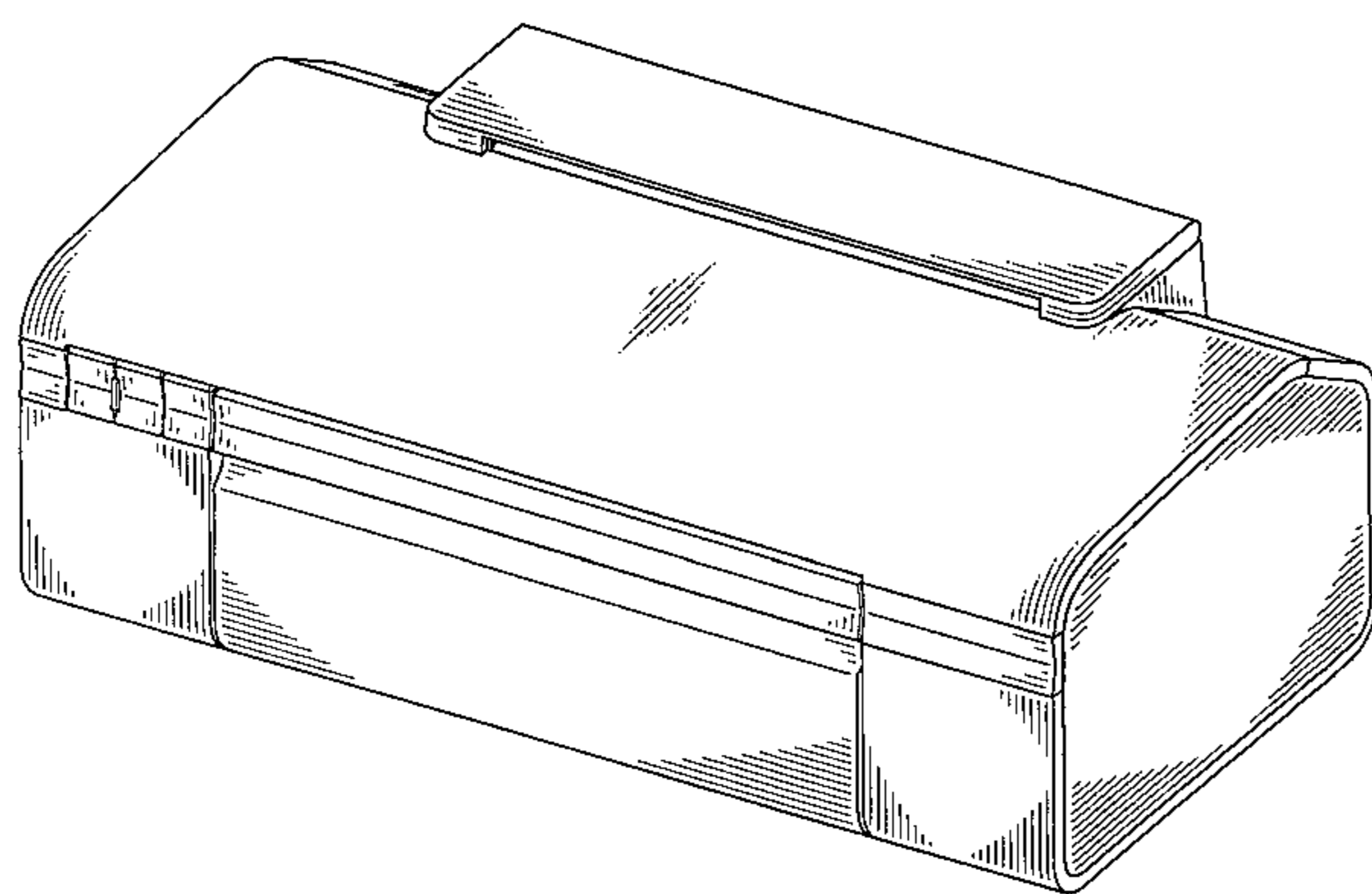
FIG. 6 is a top view thereof;

FIG. 7 is a bottom view thereof; and,

FIG. 8 is a perspective view thereof showing paper input and output trays in open positions.

The broken lines are for illustrative purposes and form no part of the claimed design.

1 Claim, 5 Drawing Sheets



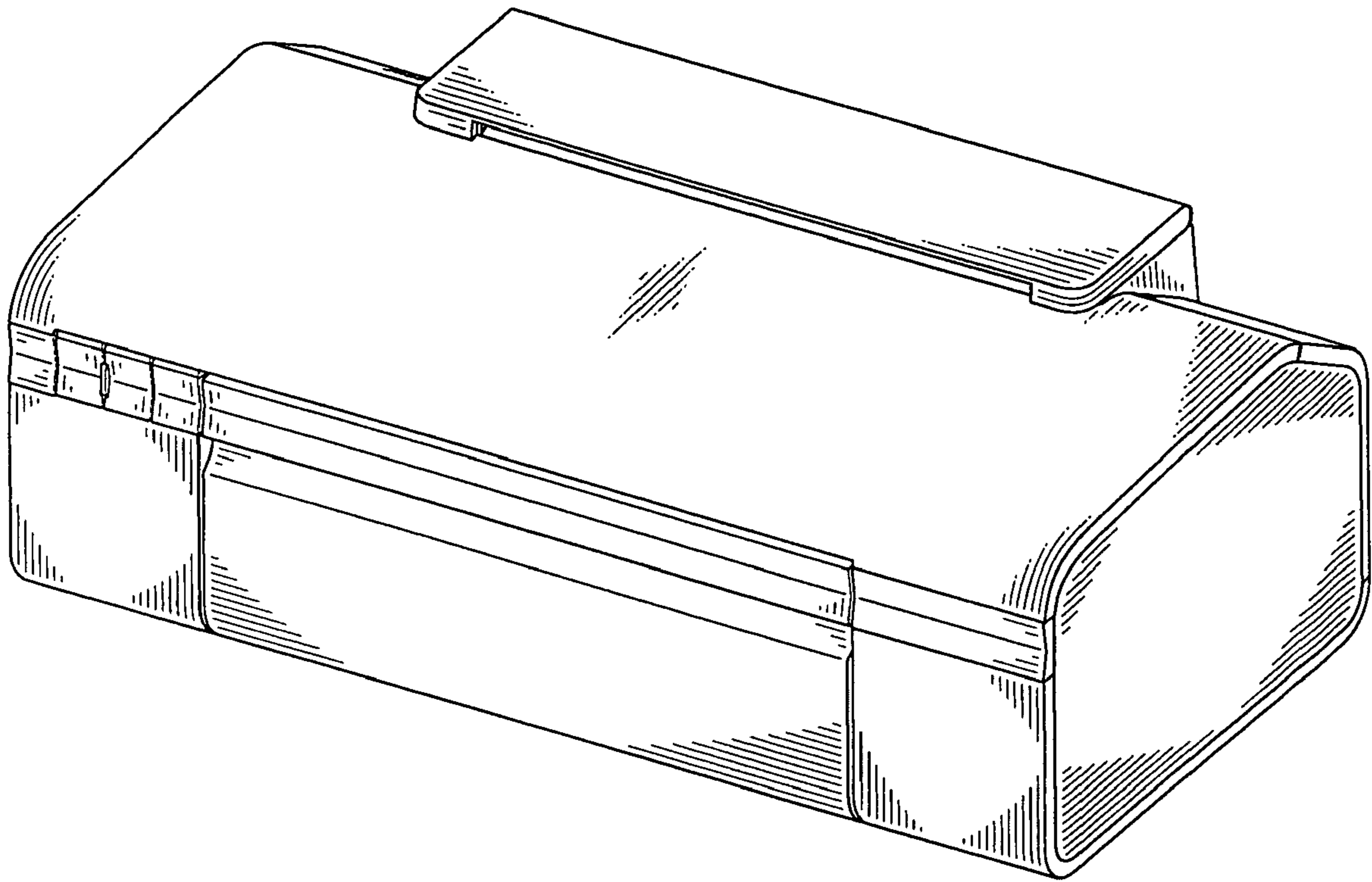


FIG. 1

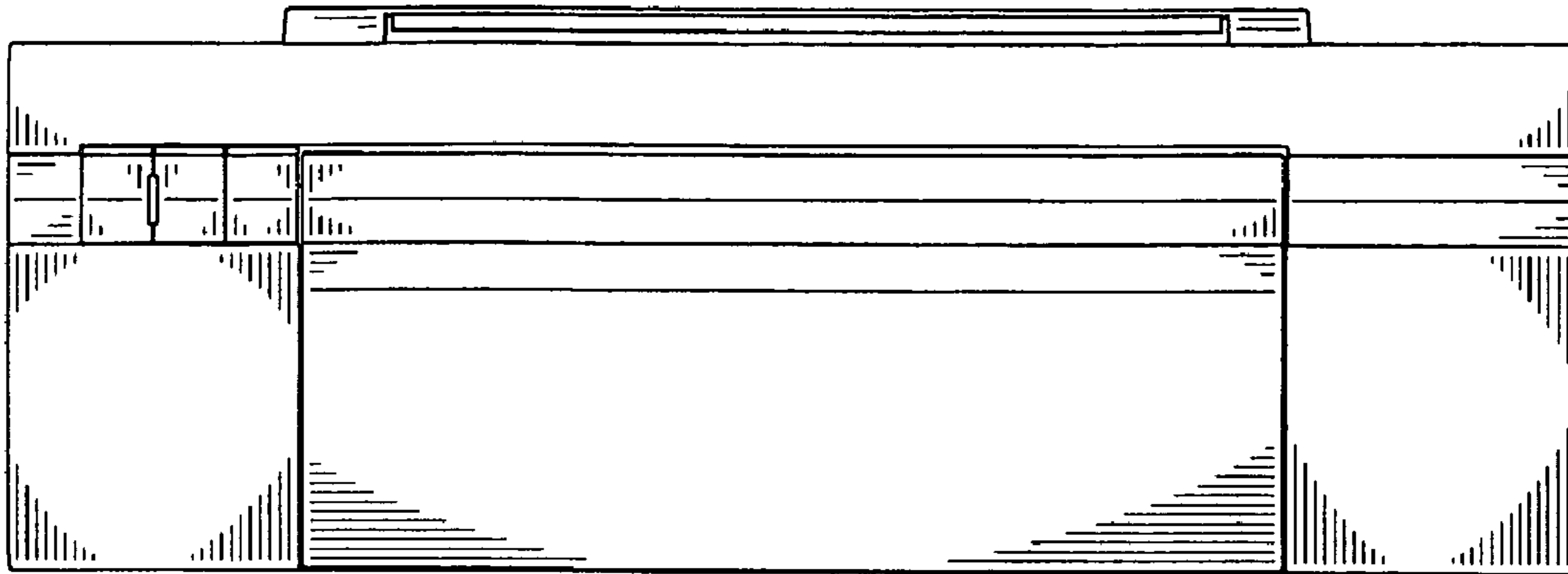


FIG. 2

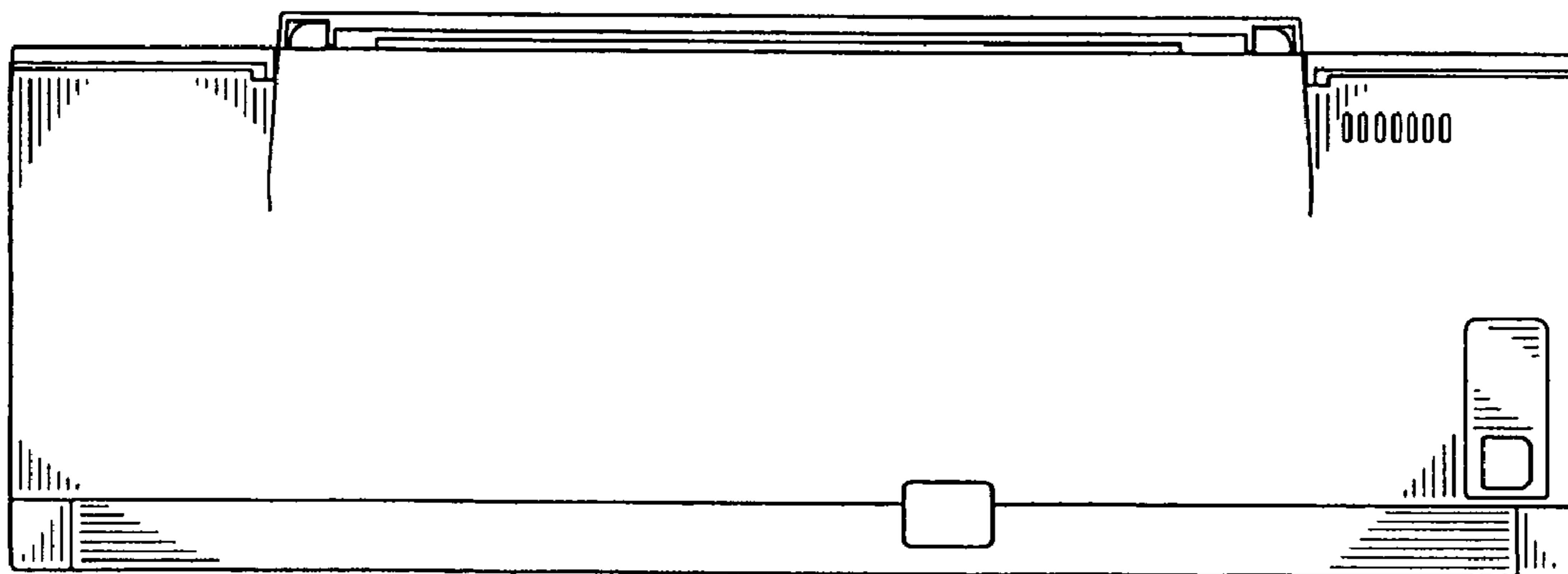


FIG. 3

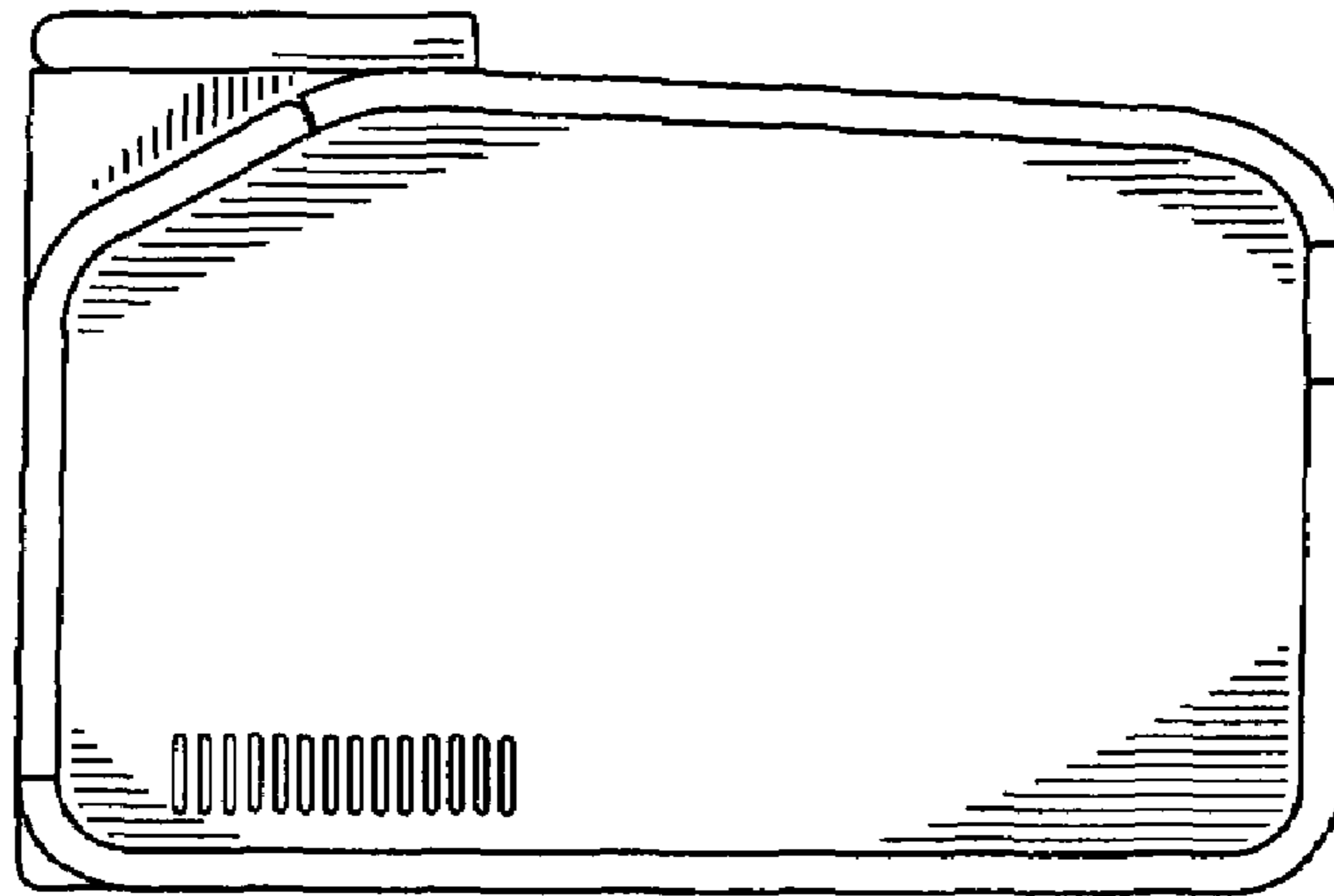


FIG. 4

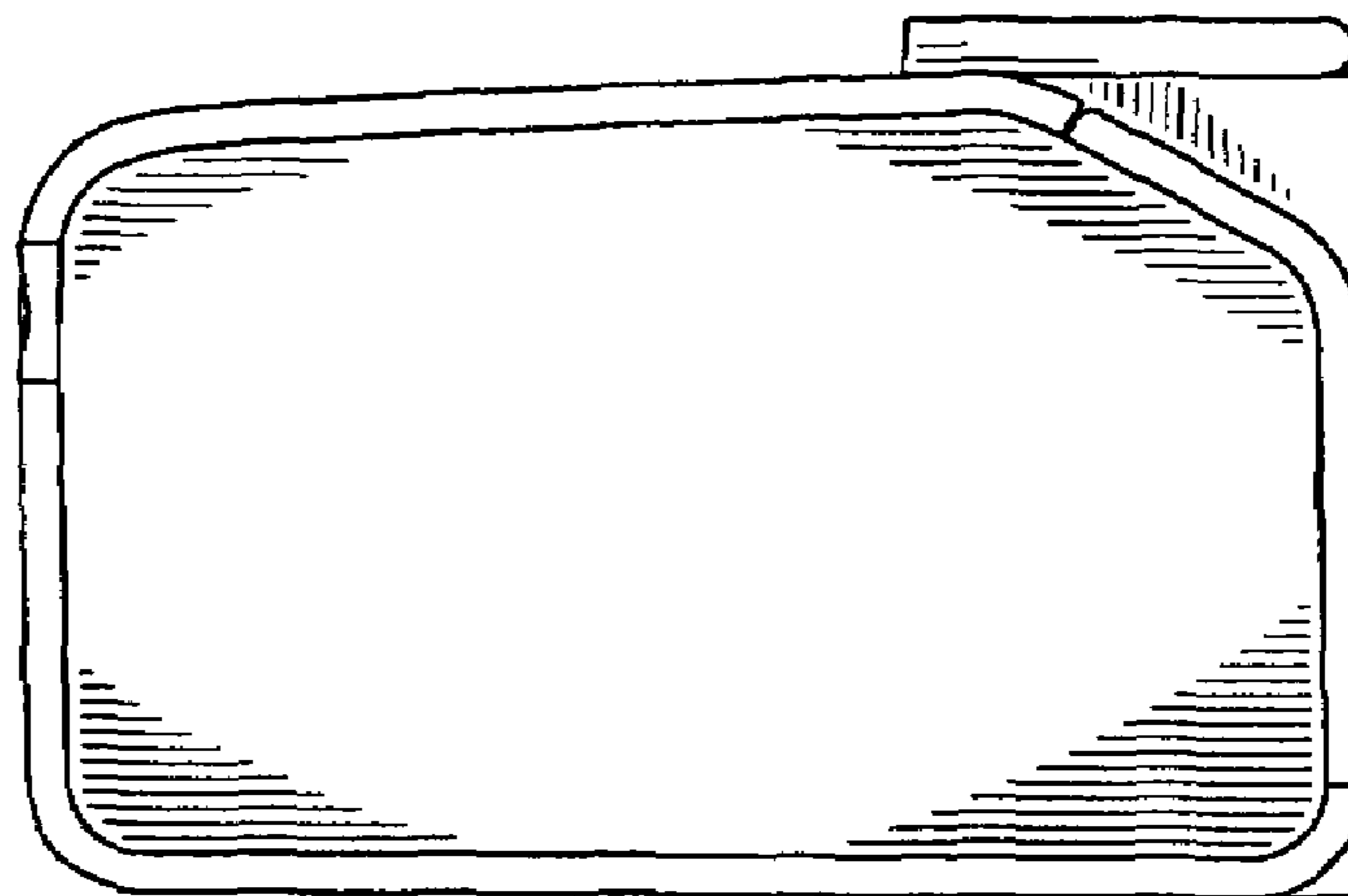


FIG. 5

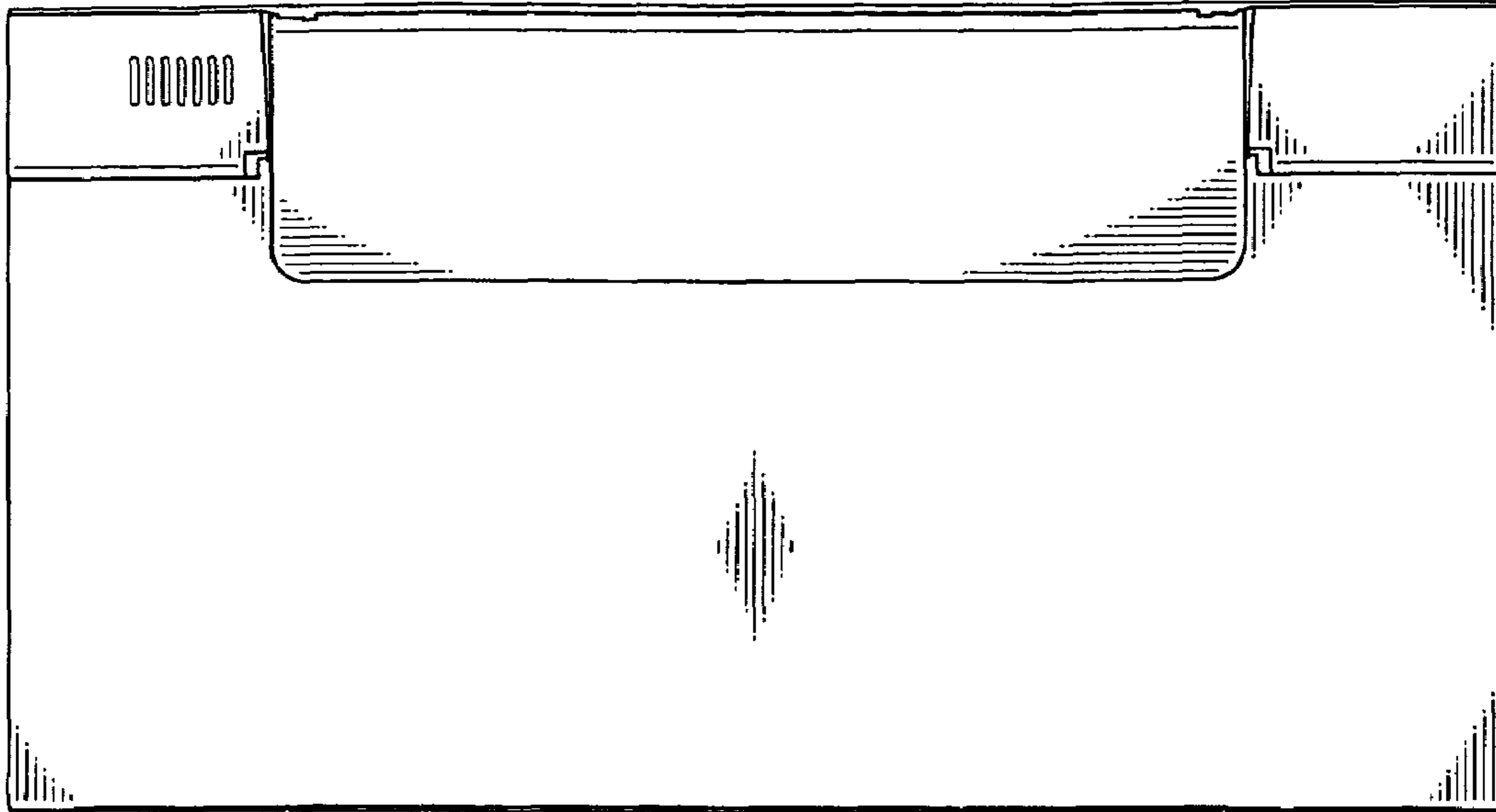


FIG. 6

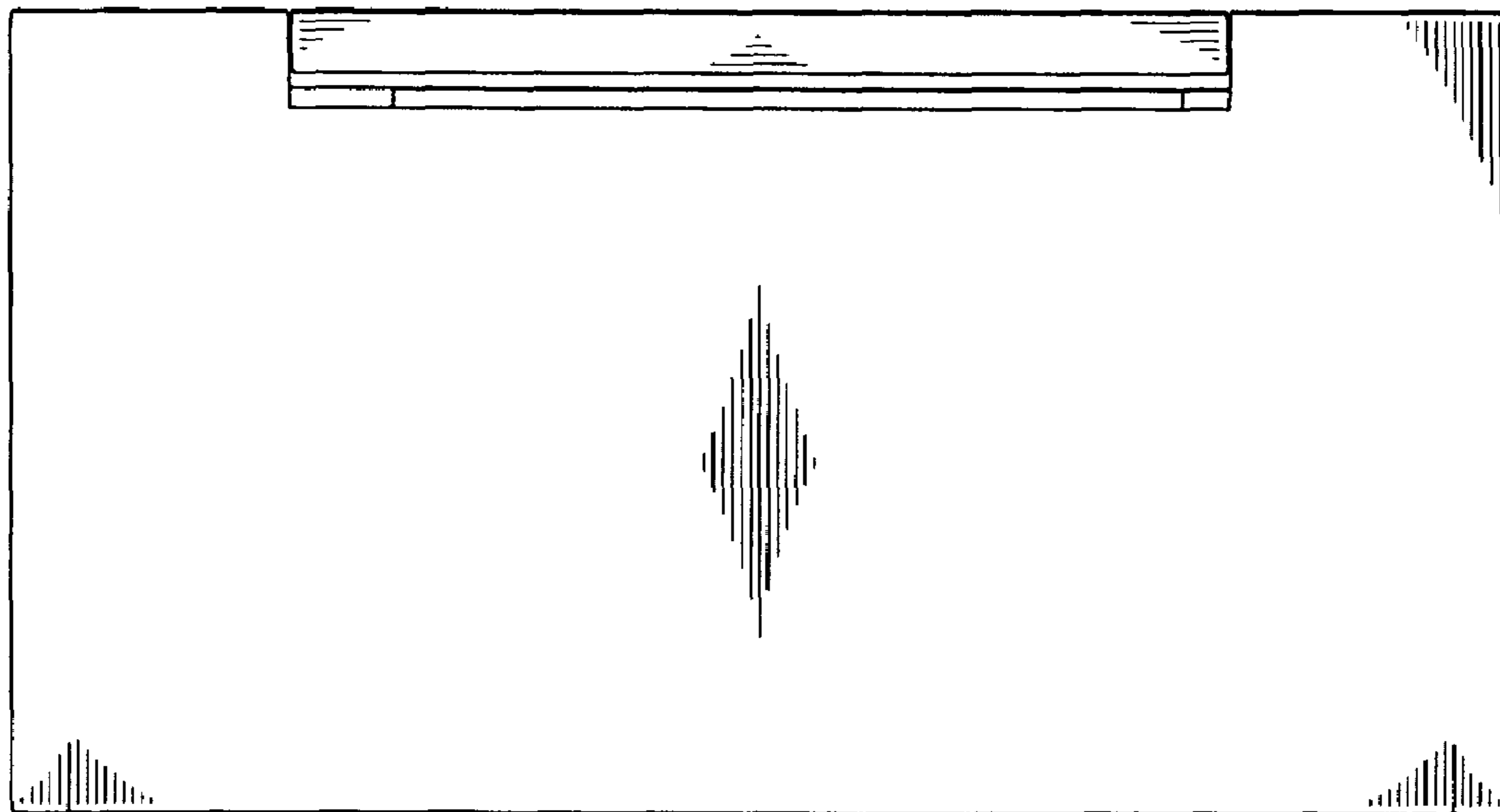


FIG. 7

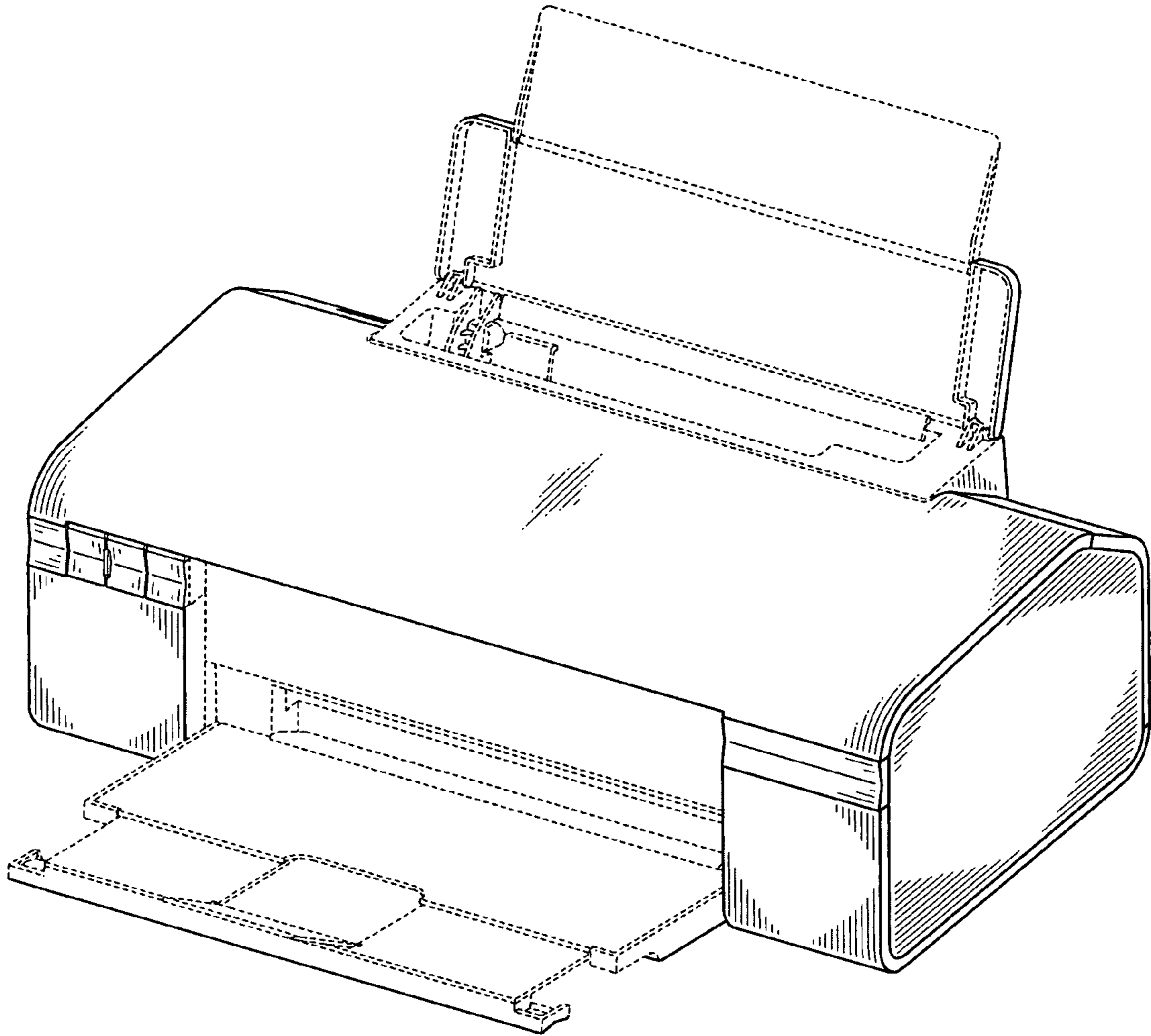


FIG. 8