



US00D598945S

(12) **United States Design Patent**
Gillespie

(10) **Patent No.:** **US D598,945 S**

(45) **Date of Patent:** **** Aug. 25, 2009**

(54) **PROJECTOR MOUNTING SYSTEM**

(75) Inventor: **John Michael Gillespie**, Green Oaks, IL (US)

(73) Assignee: **Peerless Industries, Inc.**, Melrose Park, IL (US)

(**) Term: **14 Years**

(21) Appl. No.: **29/322,954**

(22) Filed: **Aug. 14, 2008**

(51) **LOC (9) Cl.** **16-02**

(52) **U.S. Cl.** **D16/235**

(58) **Field of Classification Search** D16/235,
D16/242, 244–245; 248/917, 519, 920, 279.1,
248/317, 324, 344, 346.06, 523, 278.1; D8/349,
D8/354–355; 352/243

See application file for complete search history.

(56) **References Cited**

U.S. PATENT DOCUMENTS

4,750,832	A	6/1988	Lloyd, Sr. et al.
5,927,668	A	7/1999	Cyrell
6,073,892	A	6/2000	Dittmer

(Continued)

OTHER PUBLICATIONS

“Presentation Media Online Shop, LCD Projectors > Short Throw”
http://www.presentationmedia.co.uk/acatalog/Close_Range_Projection.html; Apr. 22, 2008; 10 pages.

“Presentation Media Online Shop, Height Adjustable Towers & Trolleys,”
<http://www.presentationmedia.co.uk/acatalog/Whiteboard.html>; Apr. 22, 2008; 14 pages.

“Presentation Media Online Shop, Fixtures & Fixings > Whiteboard Brackets”
http://www.presentationmedia.co.uk/acatalog/Whiteboard_brackets.html; Apr. 22, 2008; 3 pages.

“Smart Board 600i interactive whiteboard system,” <http://www2.smarttech.com/st/en-US/Products/SMART+Boards/Front+Projection/600i+Series/default.htm>; Apr. 22, 2008; 2 pages.

PolyVision® A Steelcase Company, “Interactive Whiteboards now with 3M’s Super Close Projection Technology!”, PolyVision Corporation, 1 page.

(Continued)

Primary Examiner—Ian Simmons

Assistant Examiner—Wan Laymon

(74) *Attorney, Agent, or Firm*—Foley & Lardner LLP

(57) **CLAIM**

The ornamental design for a projector mounting system, as shown and described.

DESCRIPTION

FIG. 1 is a perspective view of the projector mounting system showing my new design;

FIG. 2 is a front view thereof;

FIG. 3 is a left side view thereof;

FIG. 4 is a top view thereof;

FIG. 5 is a bottom view thereof;

FIG. 6 is a back view thereof;

FIG. 7 is a right side view thereof;

FIG. 8 is a perspective view of another embodiment of the projector mounting system showing my new design;

FIG. 9 is a back view of the projector mounting system in FIG. 8;

FIG. 10 is a left side view of the projector mounting system in FIG. 8;

FIG. 11 is a top view of the projector mounting system in FIG. 8;

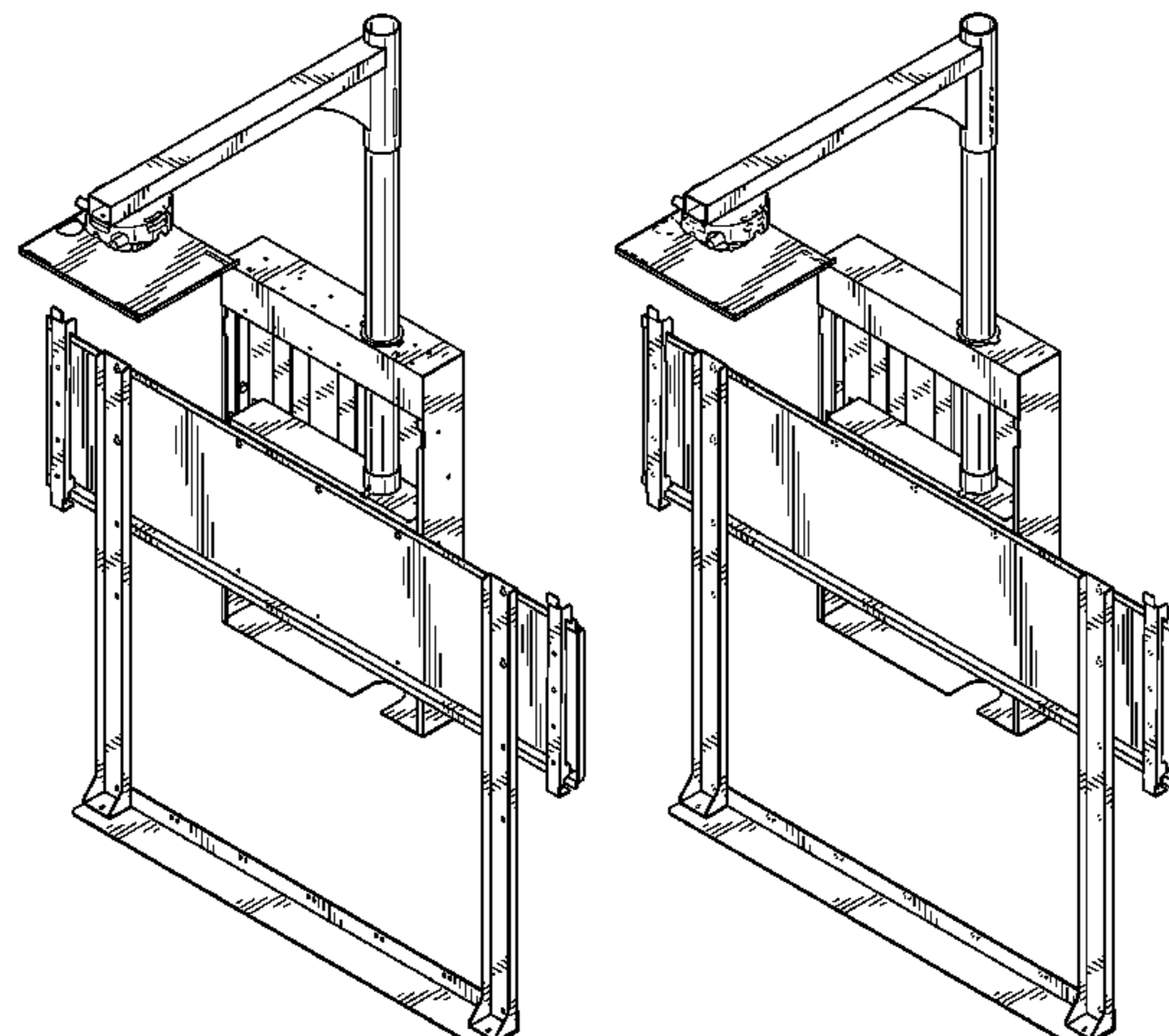
FIG. 12 is a bottom view of the projector mounting system in FIG. 8;

FIG. 13 is a back view of the projector mounting system in FIG. 8; and,

FIG. 14 is a right side view of the projector mounting system in FIG. 8.

The broken lines shown are for illustrative purposes only and form no part of the claimed design.

1 Claim, 12 Drawing Sheets



US D598,945 S

Page 2

U.S. PATENT DOCUMENTS

6,394,609 B1 5/2002 Rodriguez, Jr. et al.
6,394,610 B2 5/2002 Rodriguez, Jr.
6,485,146 B2 11/2002 Rodriguez, Jr.
6,540,366 B2 4/2003 Keenan et al.
6,604,829 B2 8/2003 Rodriguez, Jr.
6,915,995 B2* 7/2005 Gillespie 248/278.1
6,935,883 B2* 8/2005 Oddsen, Jr. 439/374
7,066,435 B2 6/2006 Oddsen, Jr. et al.
7,077,373 B1 7/2006 Hoebener et al.
7,090,182 B2 8/2006 O'Neill
7,229,057 B2 6/2007 Cavell
7,242,394 B2 7/2007 Lahade et al.
7,271,964 B2 9/2007 Rodriguez, Jr. et al.
7,320,454 B2 1/2008 Lee et al.
7,334,762 B2 2/2008 Dittmer
7,345,870 B2 3/2008 Shin
7,380,760 B2* 6/2008 Dittmer 248/278.1
7,448,584 B2* 11/2008 Chen et al. 248/278.1
7,487,943 B1* 2/2009 Gillespie 248/282.1
2004/0026584 A1* 2/2004 Libbey et al. 248/278.1
2006/0060735 A1* 3/2006 Oddsen, et al. 248/278.1
2007/0285624 A1 12/2007 Rodriguez et al.

2008/0029661 A1* 2/2008 Chen 248/176.1
2008/0137040 A1 6/2008 Rodriguez et al.
2008/0165137 A1 7/2008 Lahade et al.

OTHER PUBLICATIONS

3M™ Digital Medial Systems 800 | 810 | 815, 2007, 2 pages.
3M™ Digital Wall Display 9000PD Plus, 2007, 2 pages.
Introducing . . . The 3M™ Digital Wall Display Plus Series, 9000PD Plus | 9200IW Plus, 2007, 4 pages.
Introducing . . . The 3M™ Digital Media System 800 Series Featuring Vikuiti™ Super Close Projection, Digital Media System 800 | 815, 2006, 4 pages.
3M Projection Systems, 3M™ Super Close Projection System SCP712, 2008, 4 pages.
Projector Wall Fixings, Presentation Media Online Shop, 3 pages.
Whiteboard Brackets, Height Adjustable Towers & Trolleys, Presentation Media Online Shop.
“Promethean Lighting the Flame of Learning”, Activeboard+2 Video Overview, Video: ActivBoard+2: Activclassroom: Education Solutions: Promethean USA, Promethean Worldwide, <http://www.prometheanworld.com/us/server/show/nav.2504>, 2 pages.

* cited by examiner

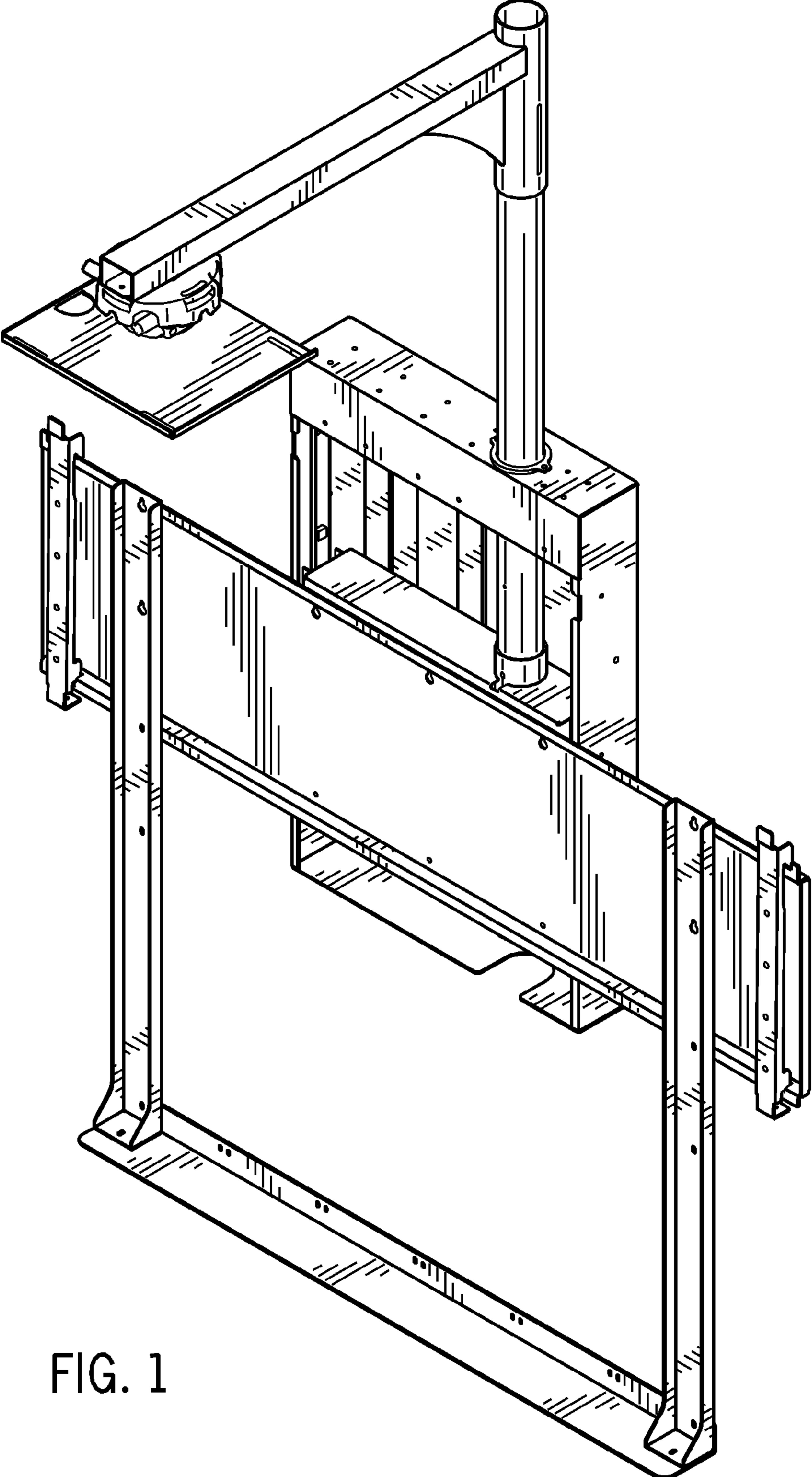


FIG. 1

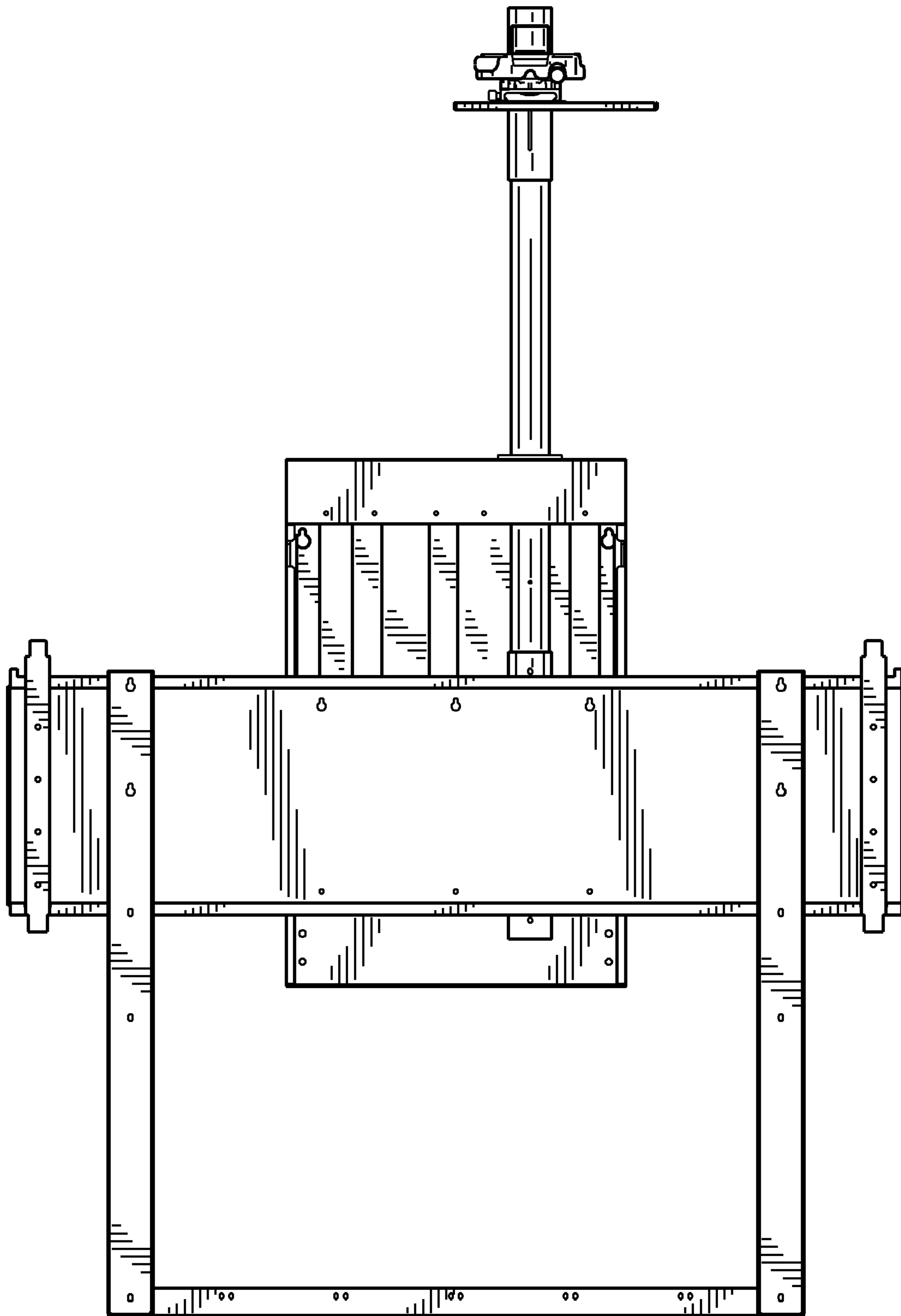


FIG. 2

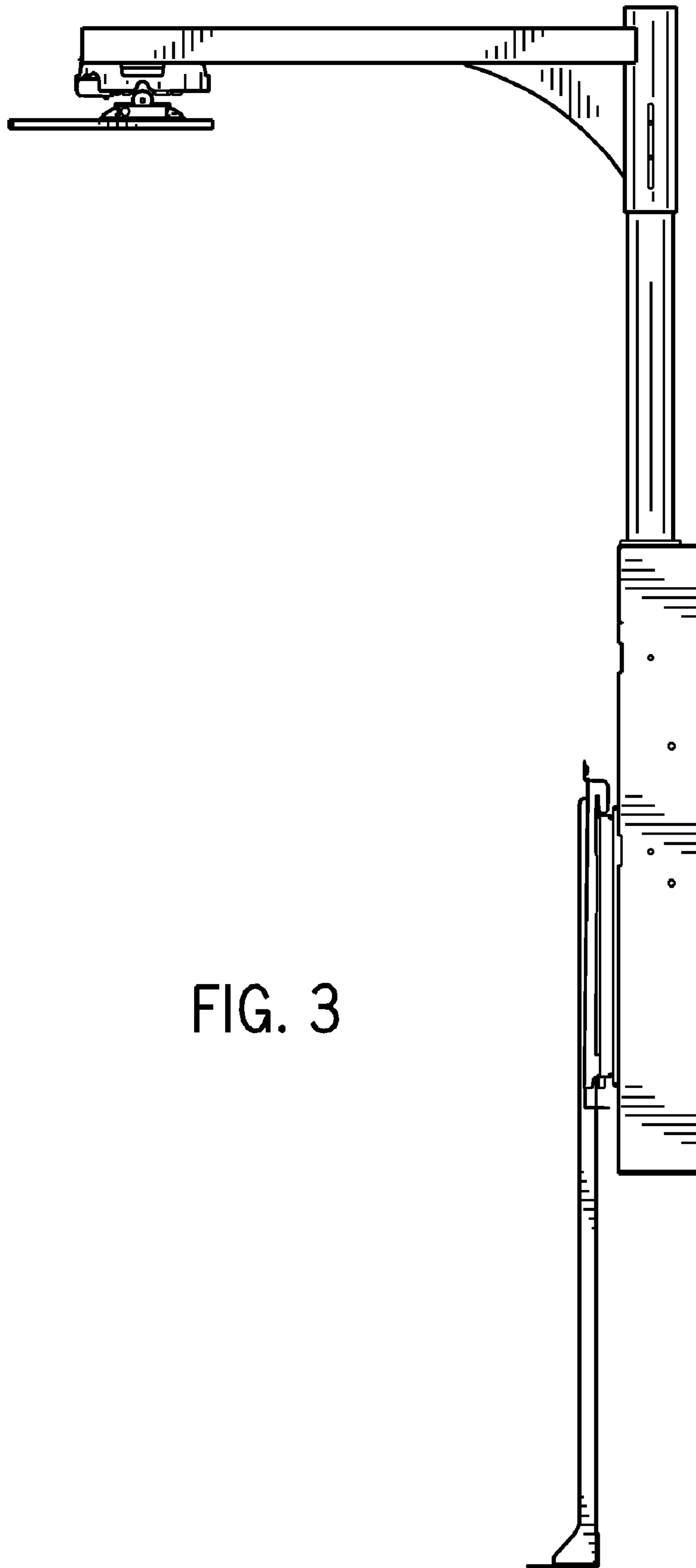


FIG. 3

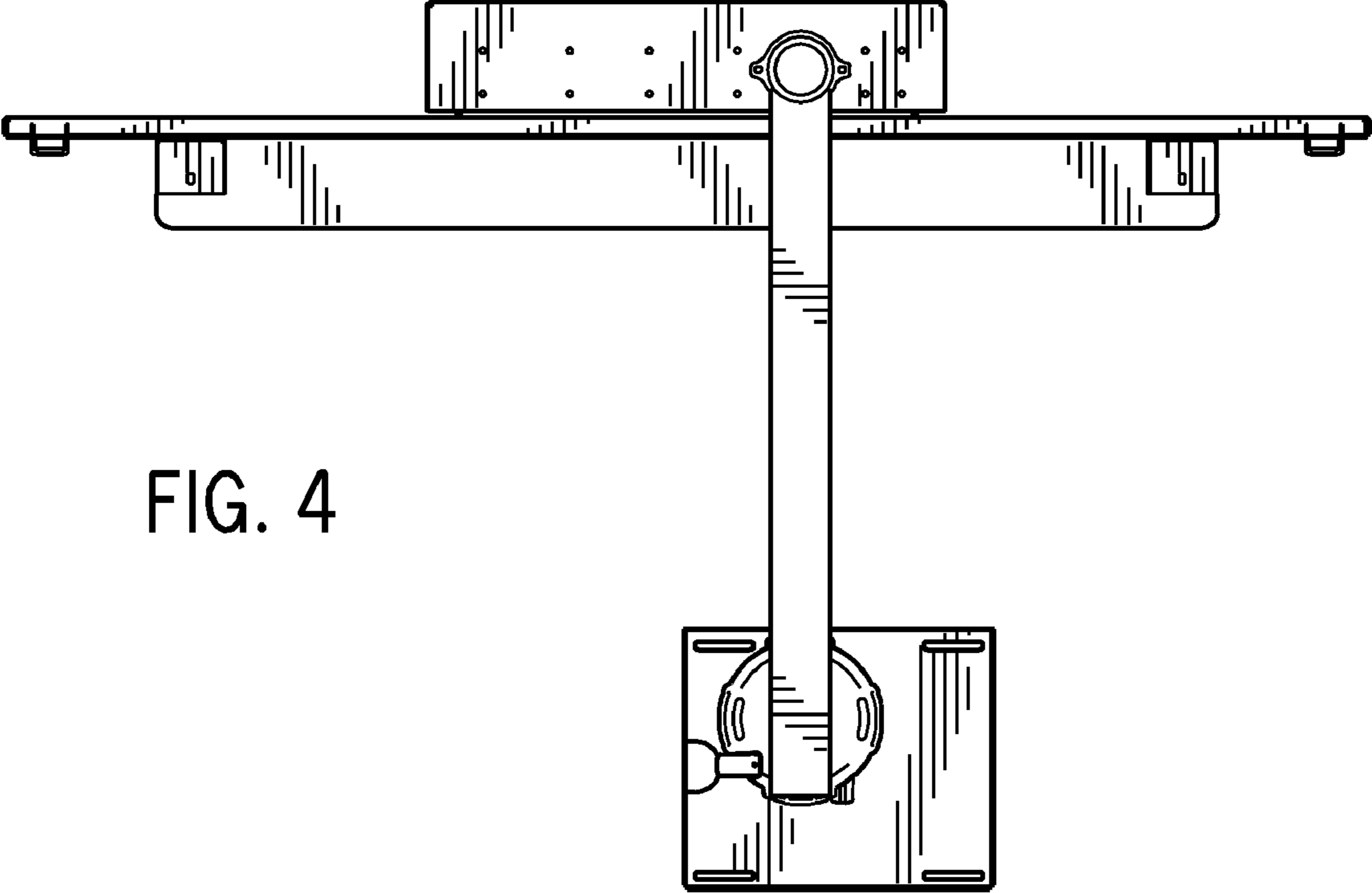


FIG. 4

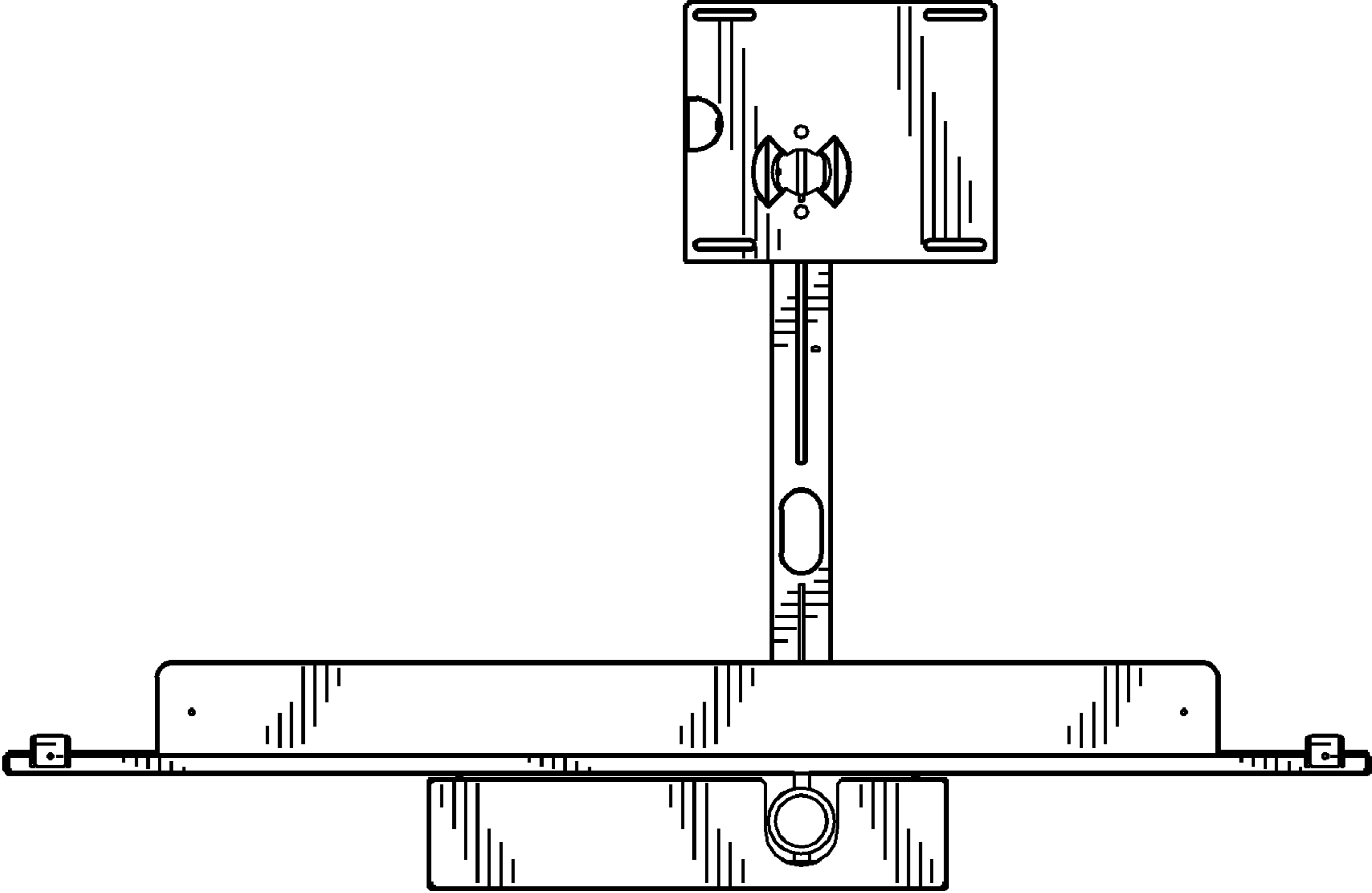


FIG. 5

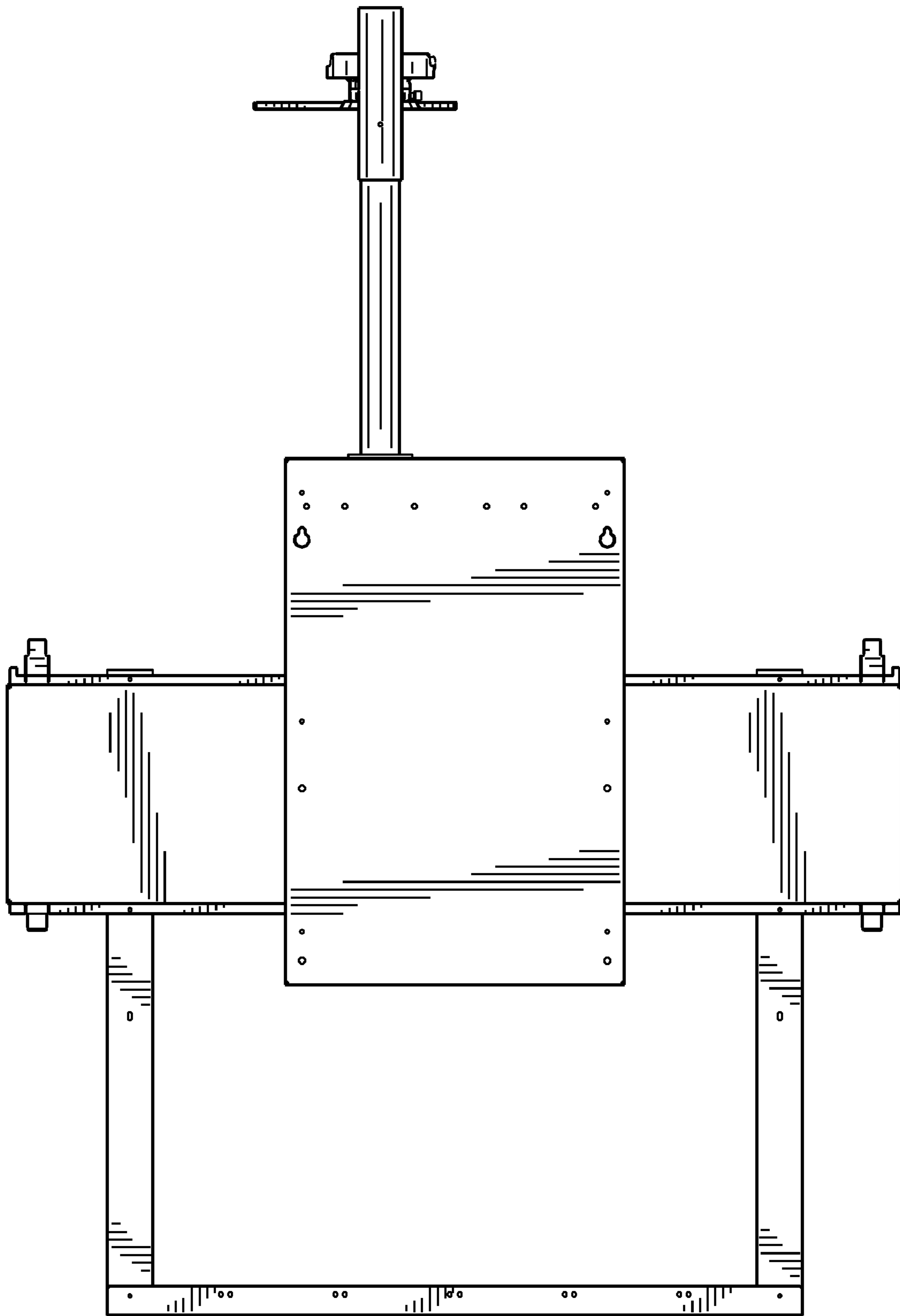


FIG. 6

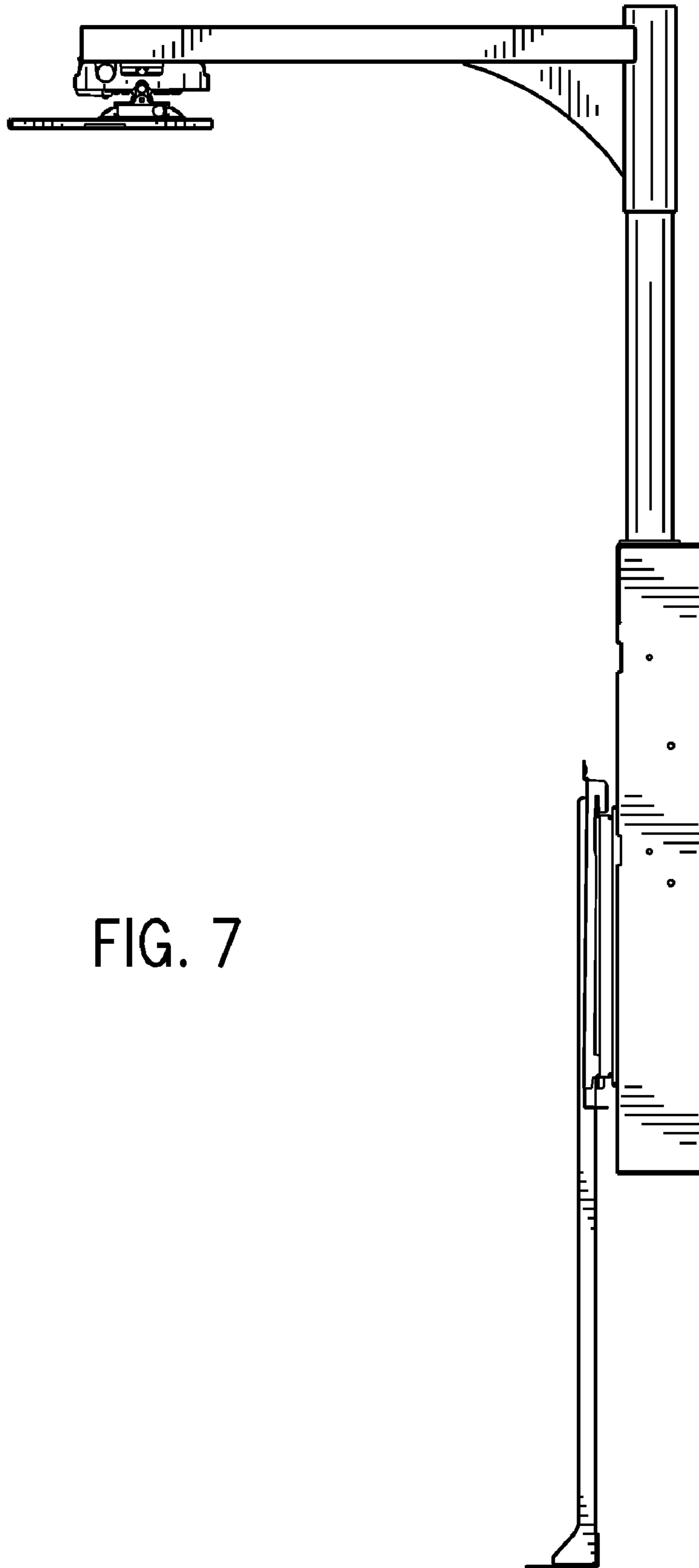


FIG. 7

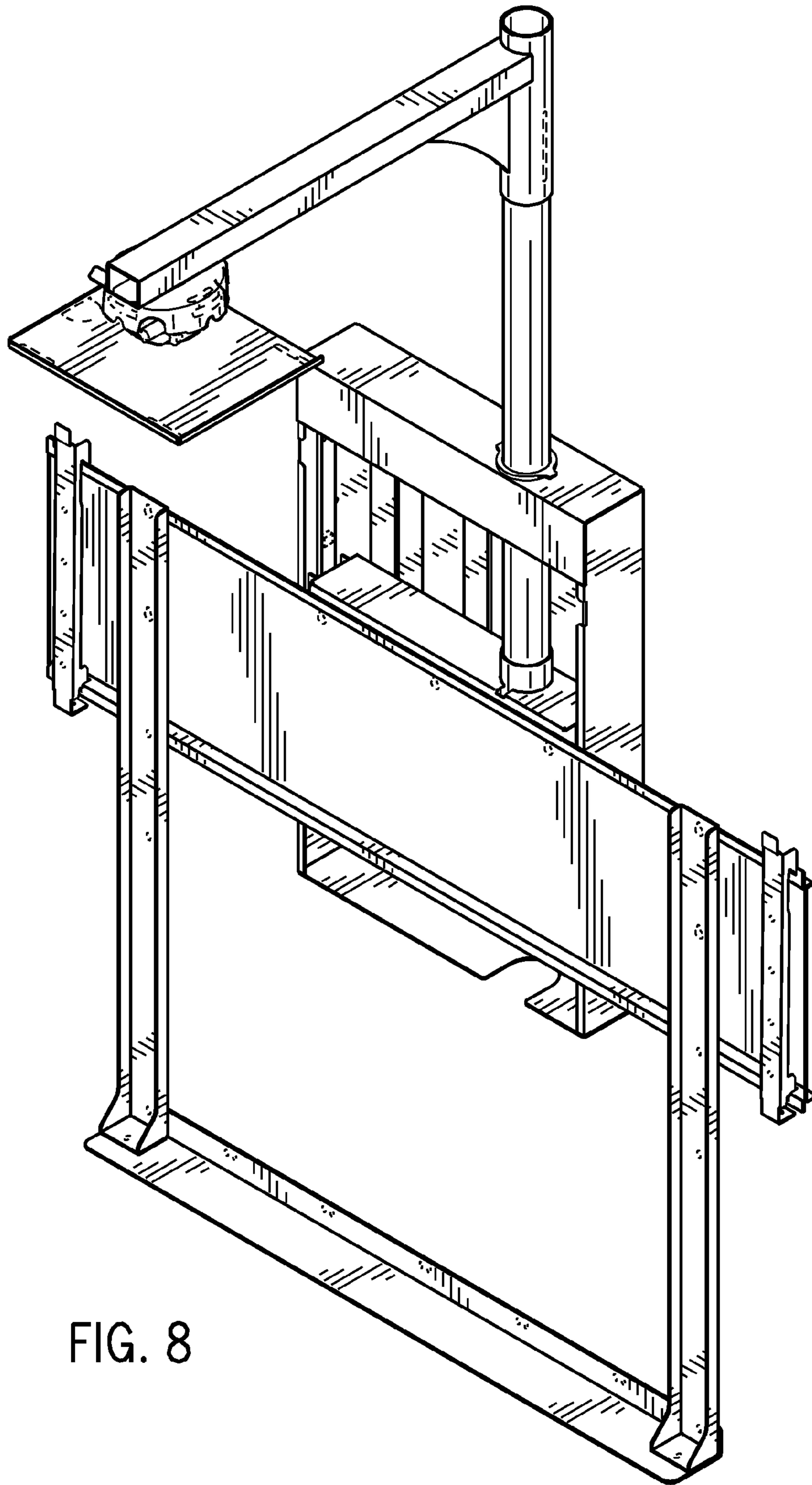


FIG. 8

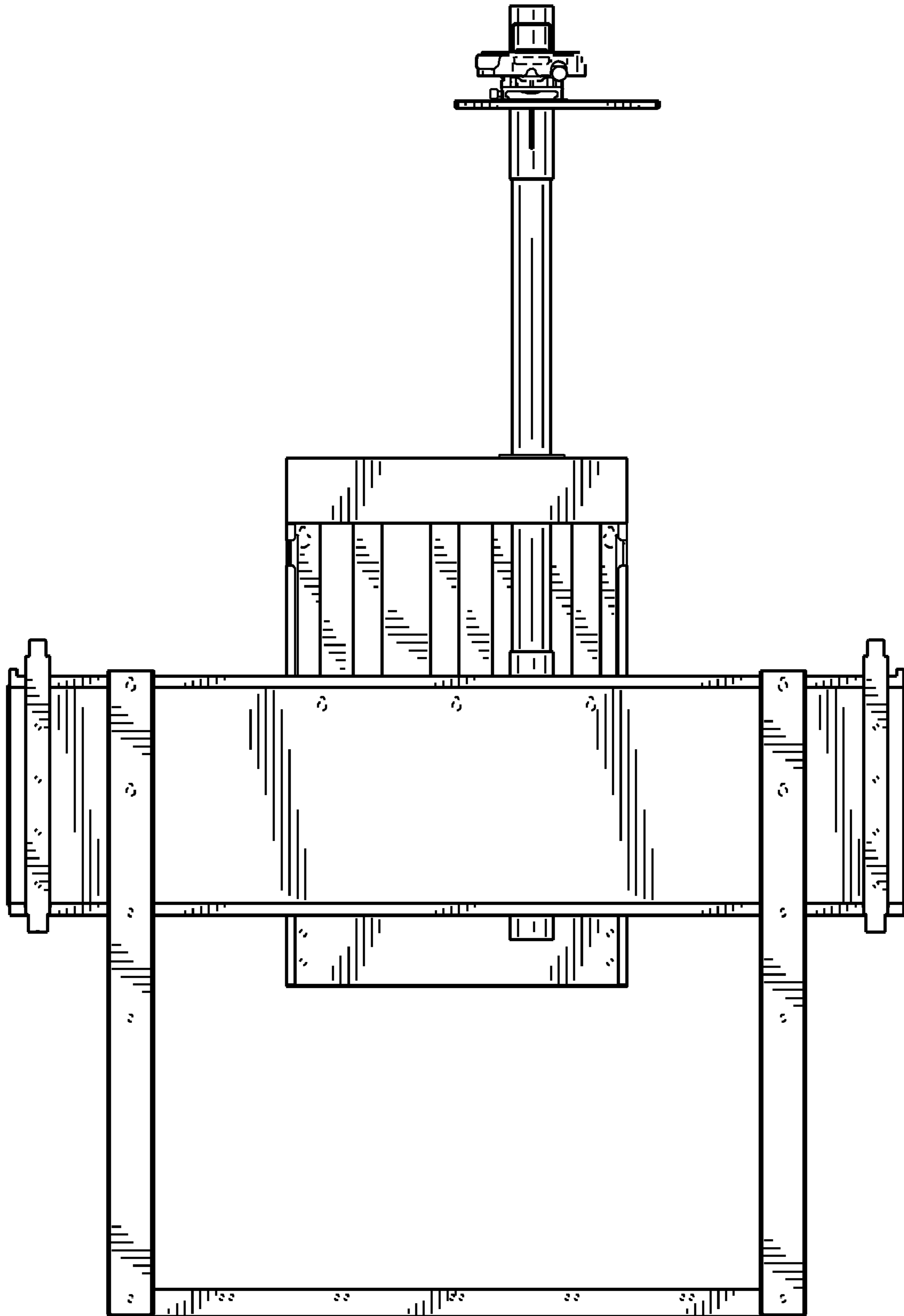


FIG. 9

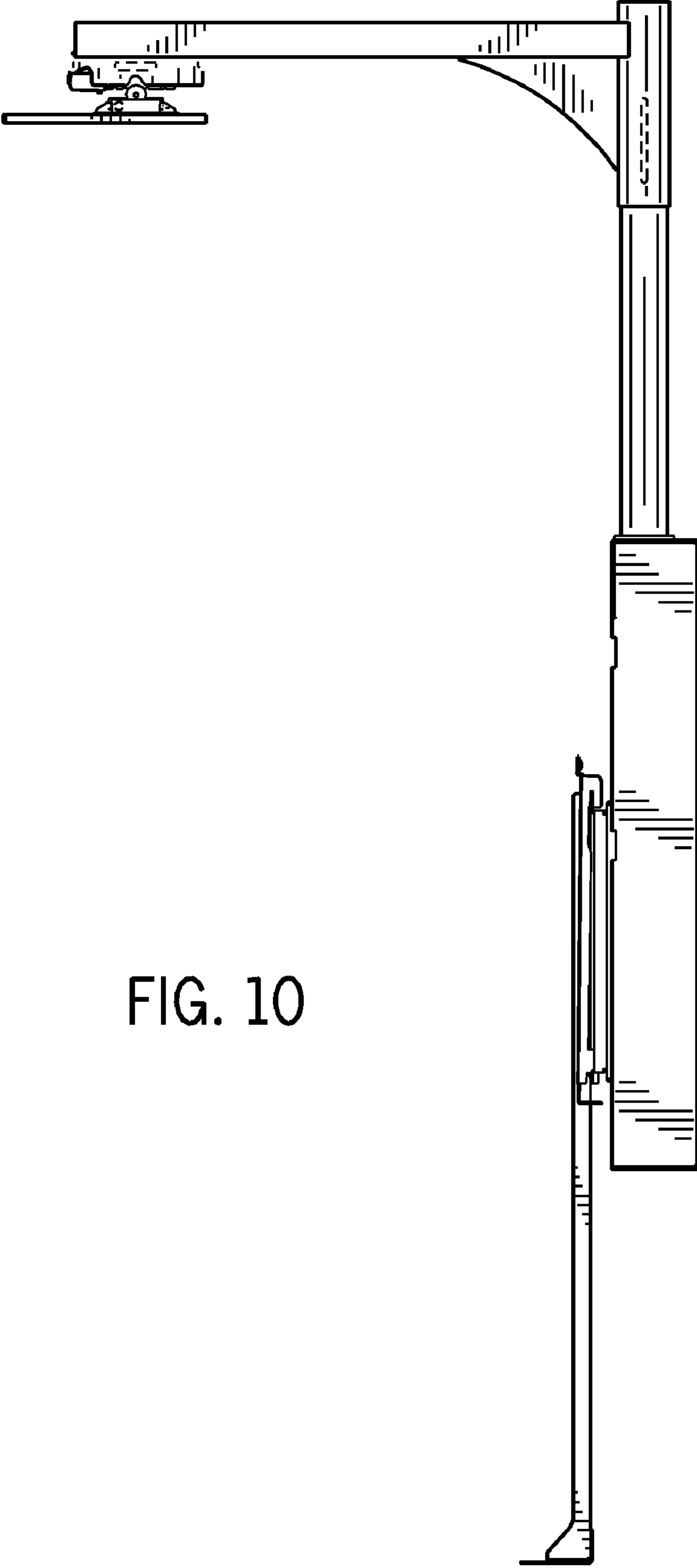
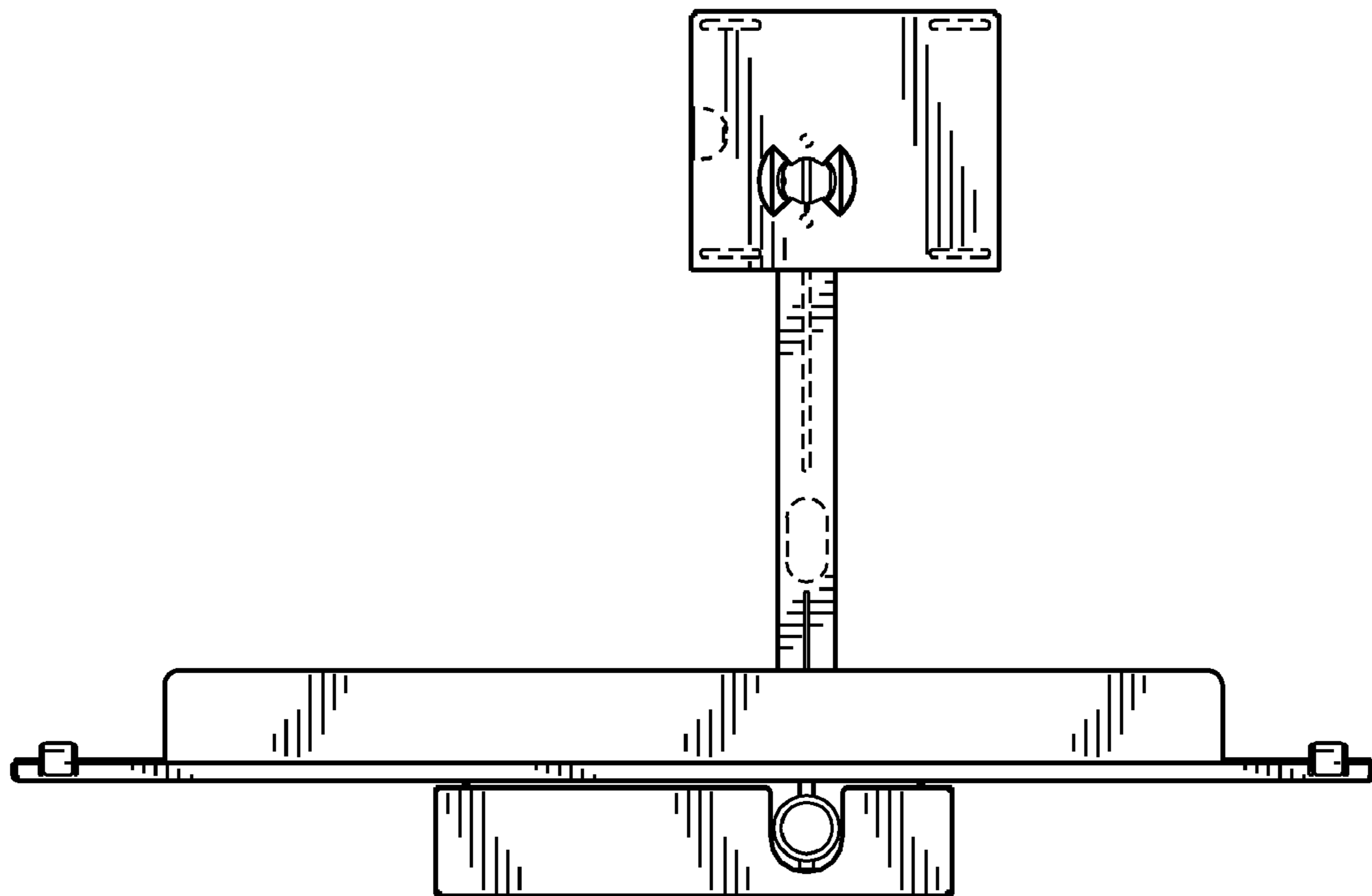
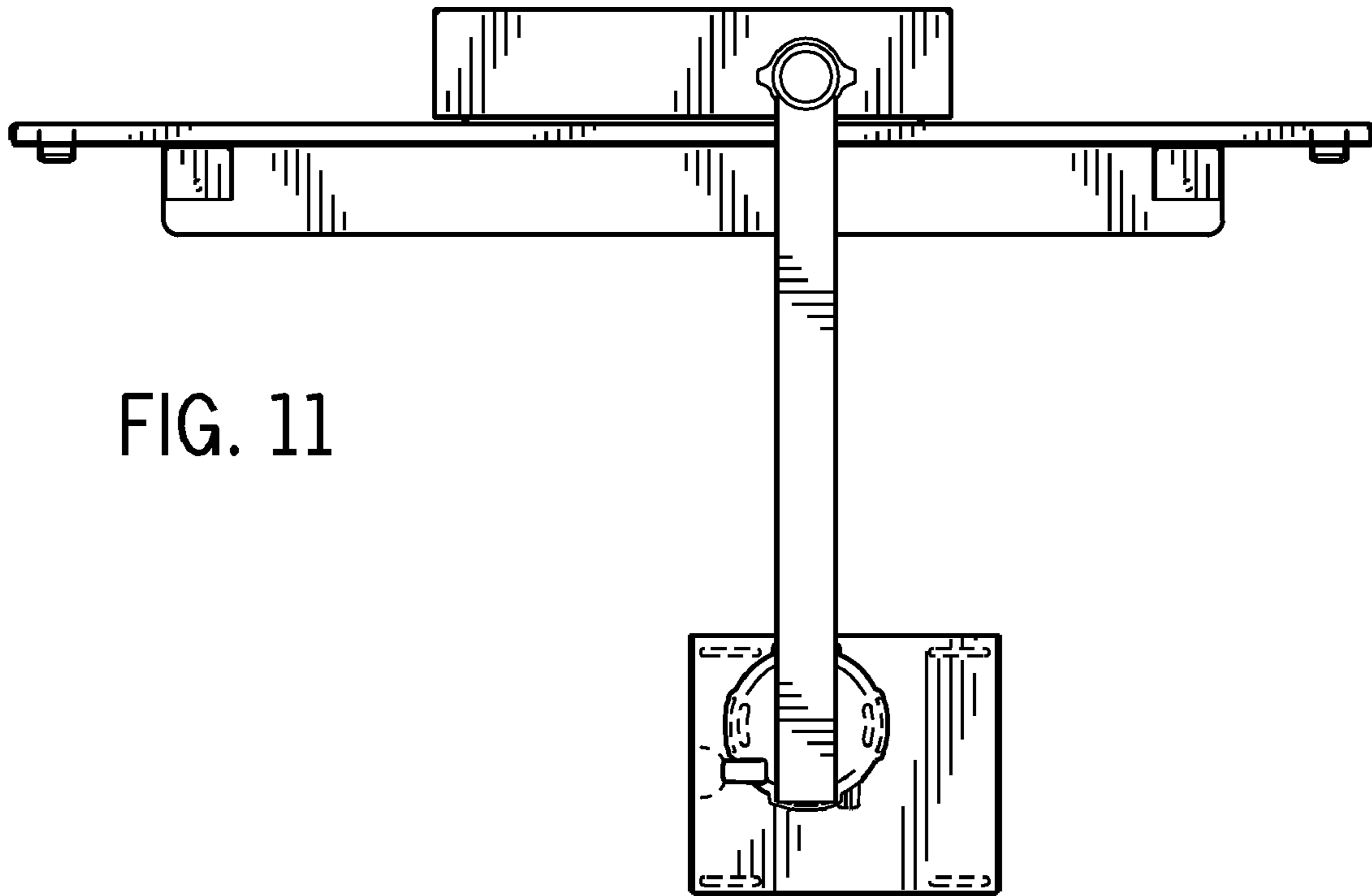


FIG. 10



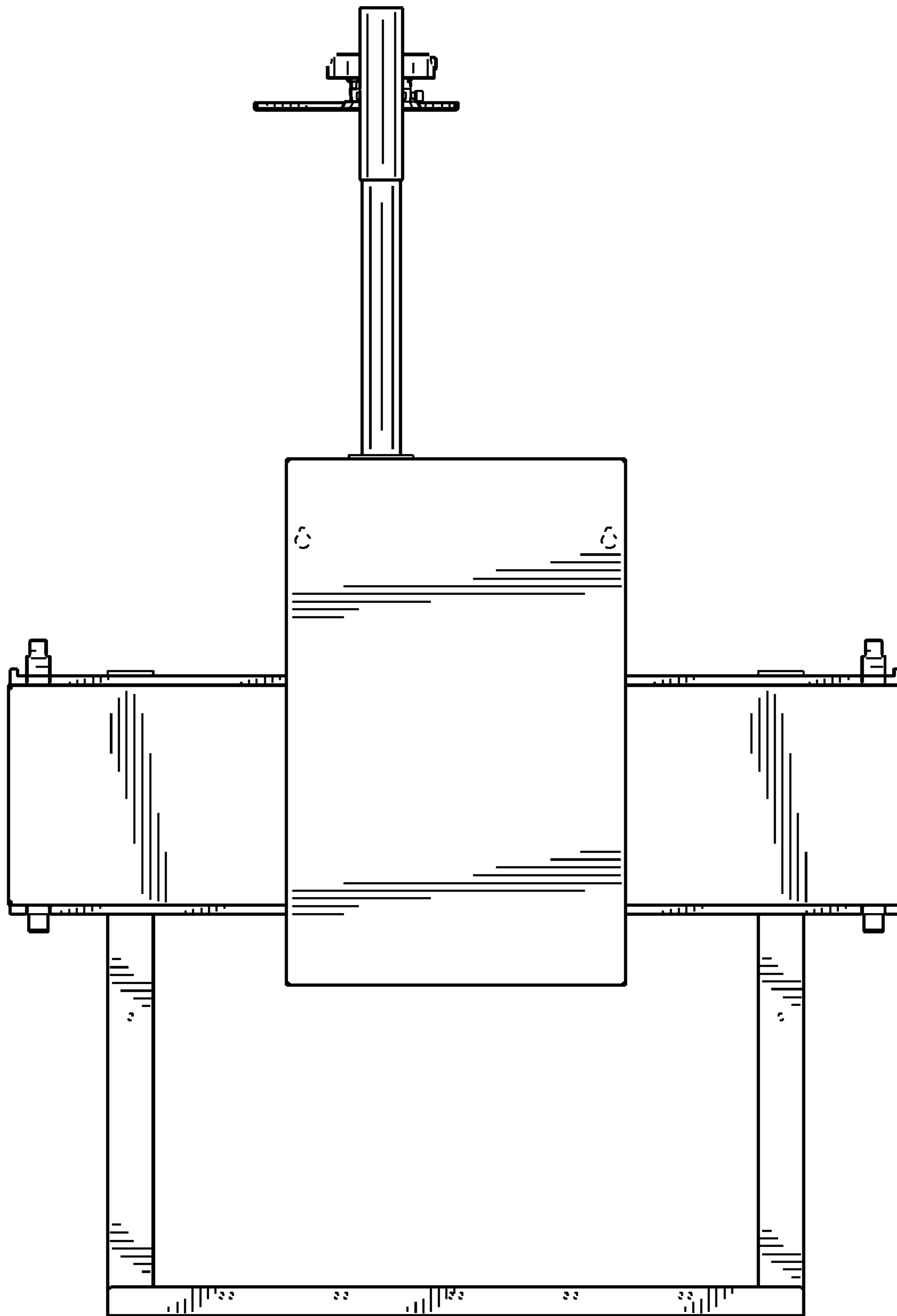


FIG. 13

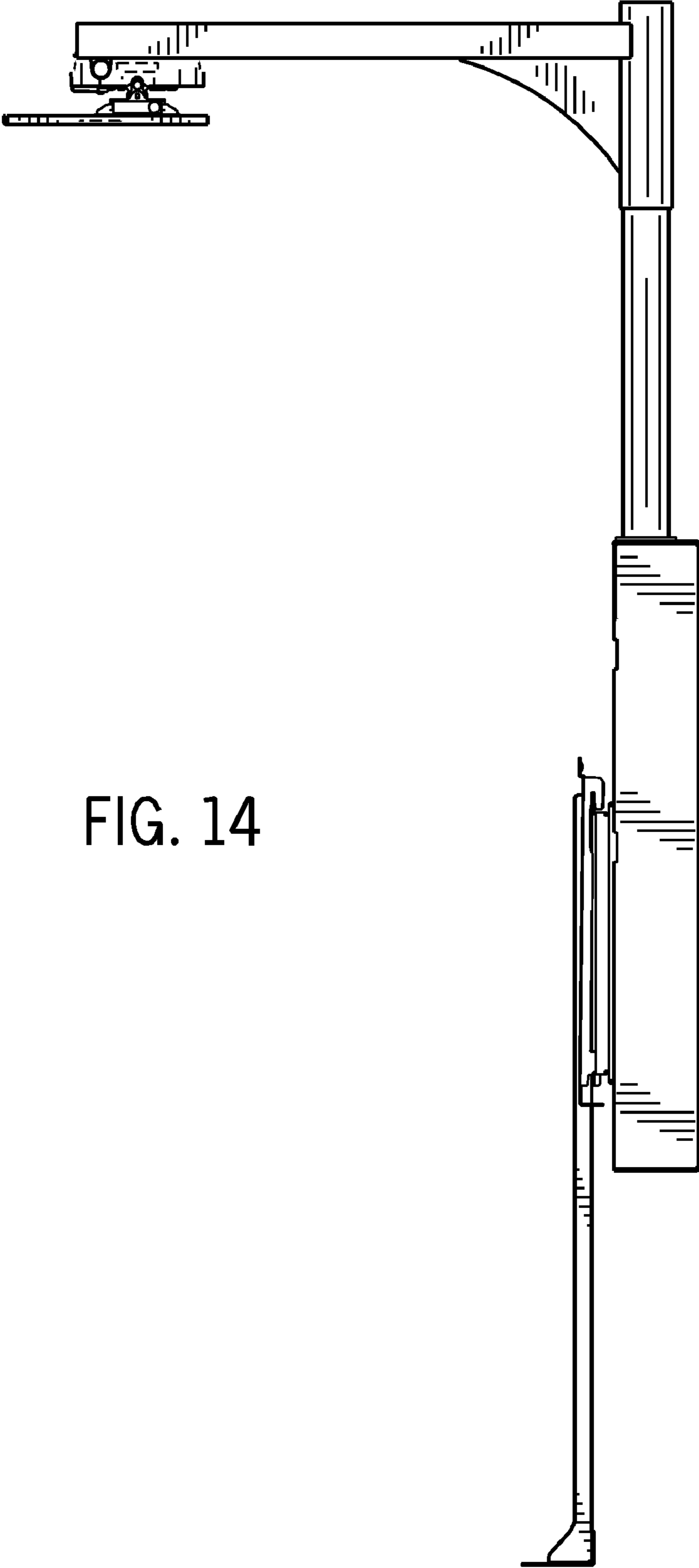


FIG. 14