



US00D598944S

(12) **United States Design Patent**  
**Collet et al.**

(10) **Patent No.:** **US D598,944 S**

(45) **Date of Patent:** **\*\* Aug. 25, 2009**

(54) **HOUSING FOR PORTABLE PROJECTOR DEVICE**

(75) Inventors: **Roeland Collet**, Olympia, WA (US);  
**Matthew L. Carmean**, Everett, WA (US)

(73) Assignee: **Microvision, Inc.**, Redmond, WA (US)

(\*\*) Term: **14 Years**

(21) Appl. No.: **29/325,785**

(22) Filed: **Oct. 6, 2008**

(51) **LOC (9) Cl.** ..... **16-02**

(52) **U.S. Cl.** ..... **D16/221**

(58) **Field of Classification Search** ..... D16/235,  
D16/221, 225, 230-231, 234, 205, 218; D21/514;  
353/115, 119, 122, 97; D14/496, 135, 188,  
D14/265; 455/347, 349, 351, 3.06; D13/160,  
D13/162, 164, 184

See application file for complete search history.

(56) **References Cited**

**U.S. PATENT DOCUMENTS**

D245,701 S *	9/1977	Kinsinger	.....	D16/221
D340,699 S *	10/1993	Chen	.....	D13/164
D354,737 S *	1/1995	Fladung	.....	D13/164
D402,641 S *	12/1998	Heijnen	.....	D13/184
D452,513 S *	12/2001	Uehara	.....	D14/496
D474,491 S *	5/2003	Kim	.....	D16/235
6,793,347 B2 *	9/2004	Morishita	.....	353/119
D505,428 S *	5/2005	Yagihashi	.....	D14/496
D518,500 S *	4/2006	Loew	.....	D16/229

D520,045 S *	5/2006	Han et al.	.....	D16/230
7,070,285 B2 *	7/2006	Wu	.....	353/97
D560,686 S *	1/2008	Kim	.....	D14/496
D564,493 S *	3/2008	Tejima	.....	D14/168
D582,385 S *	12/2008	Sanguinetti	.....	D14/188
2006/0114431 A1 *	6/2006	Ushiro	.....	353/119

\* cited by examiner

*Primary Examiner*—Ian Simmons

*Assistant Examiner*—Wan Laymon

(74) *Attorney, Agent, or Firm*—Kevin D. Wills

(57) **CLAIM**

The ornamental design for a portable projector device, as shown and described.

**DESCRIPTION**

FIG. 1 is a top, front and left side perspective view of a housing for a portable projector device;

FIG. 2 is a top, rear and right side perspective view of FIG. 1;

FIG. 3 is a top plan view of FIG. 1;

FIG. 4 is a bottom plan view of FIG. 1;

FIG. 5 is a left side elevation view of FIG. 1;

FIG. 6 is a right side elevation view of FIG. 1;

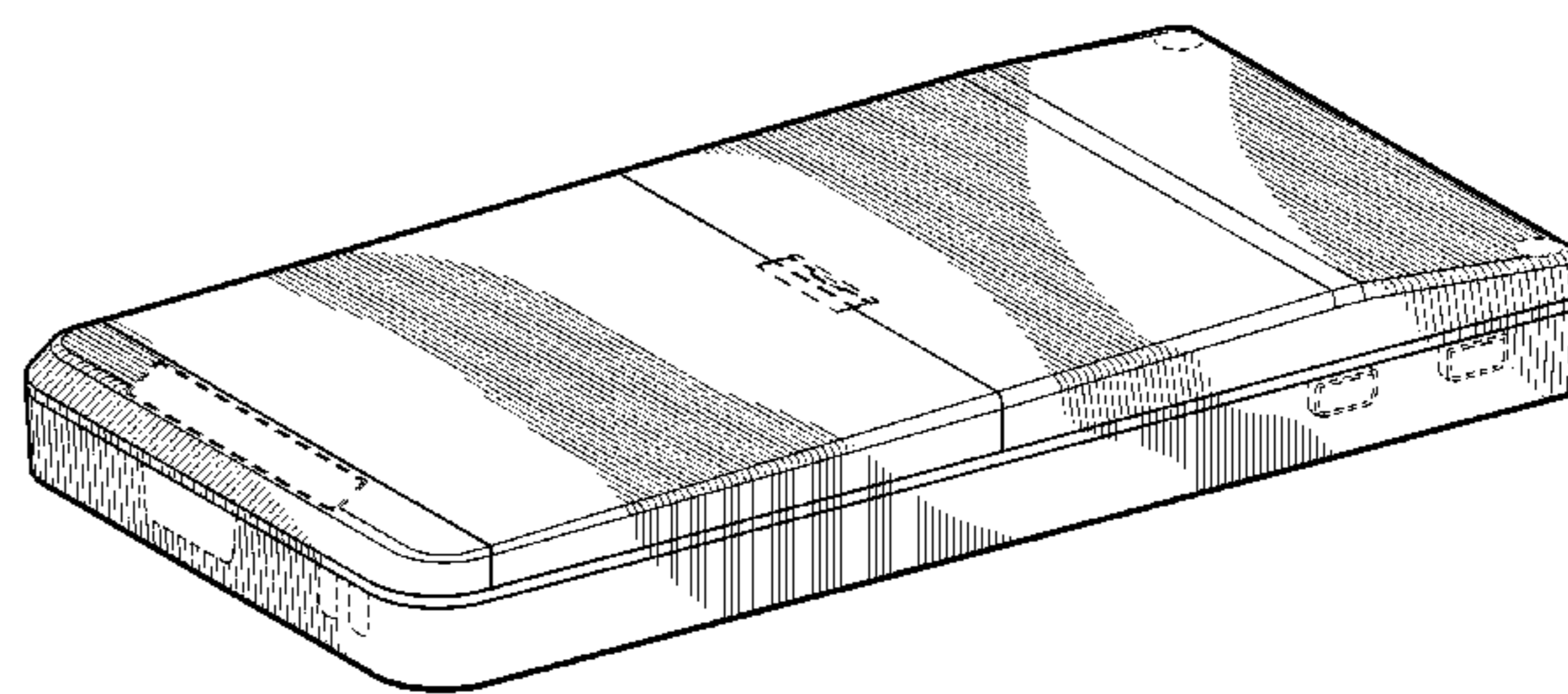
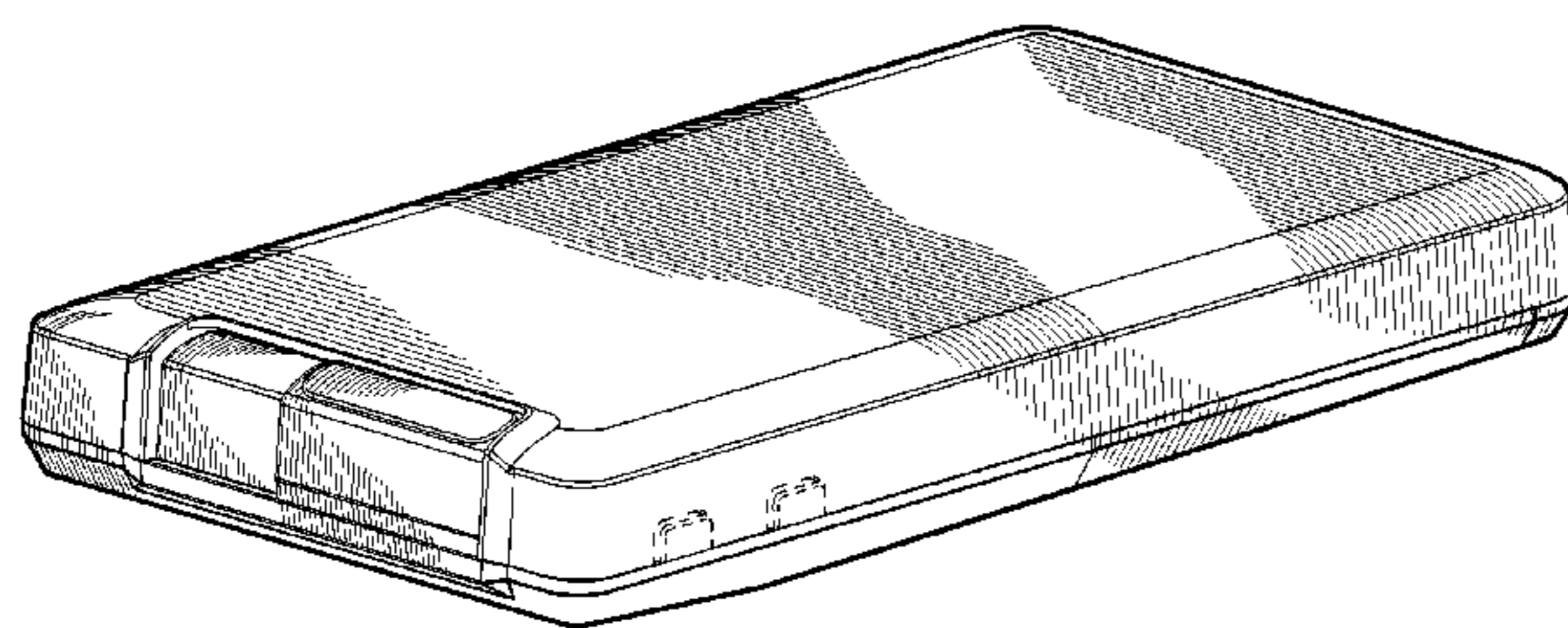
FIG. 7 is a front elevation view of FIG. 1;

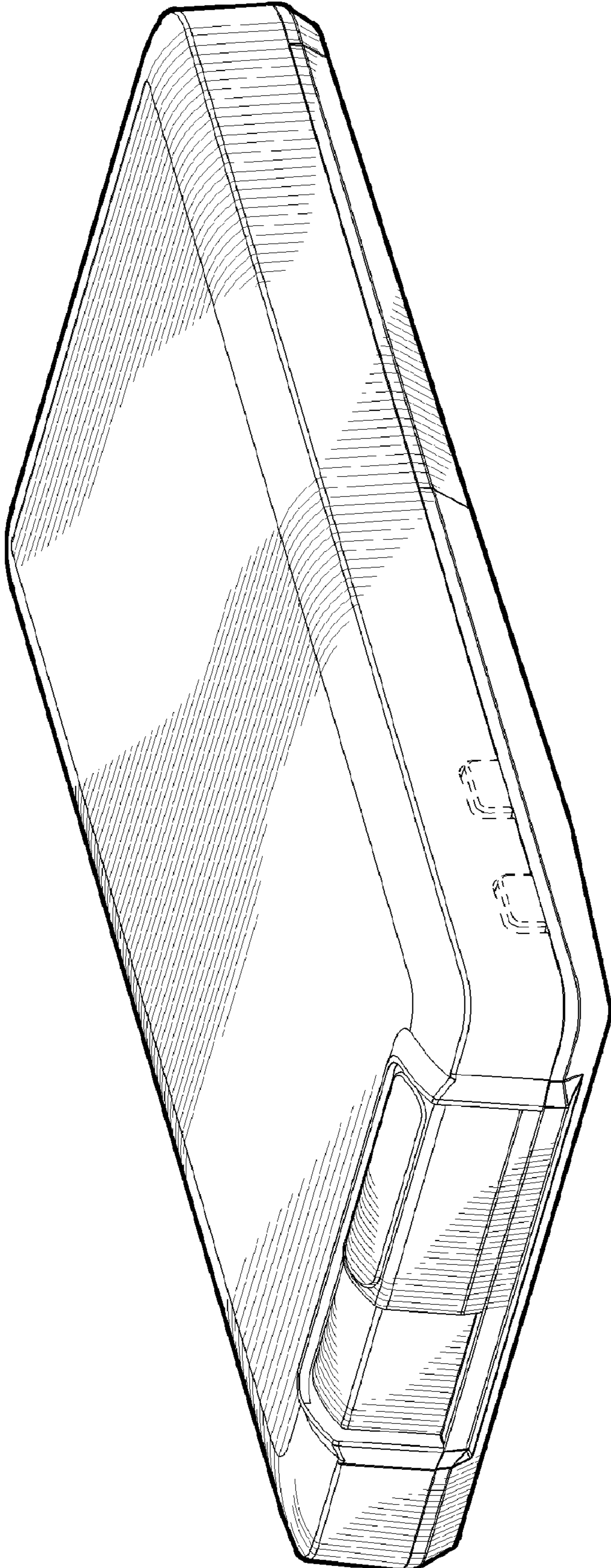
FIG. 8 is a rear elevation view of FIG. 1; and,

FIG. 9 is a bottom left side perspective of FIG. 1.

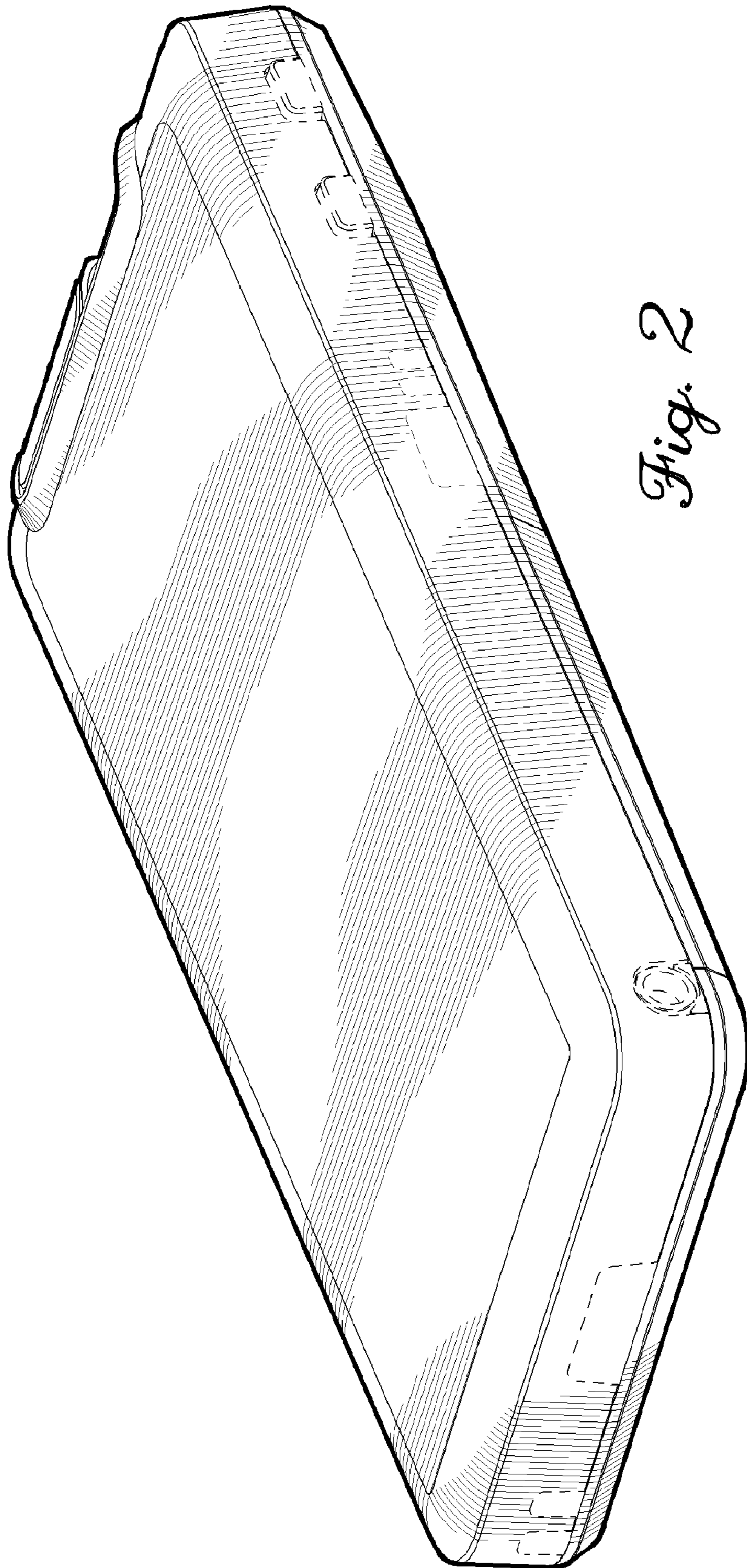
The broken line portions of the drawings form no part of the claimed design or a specific embodiment thereof.

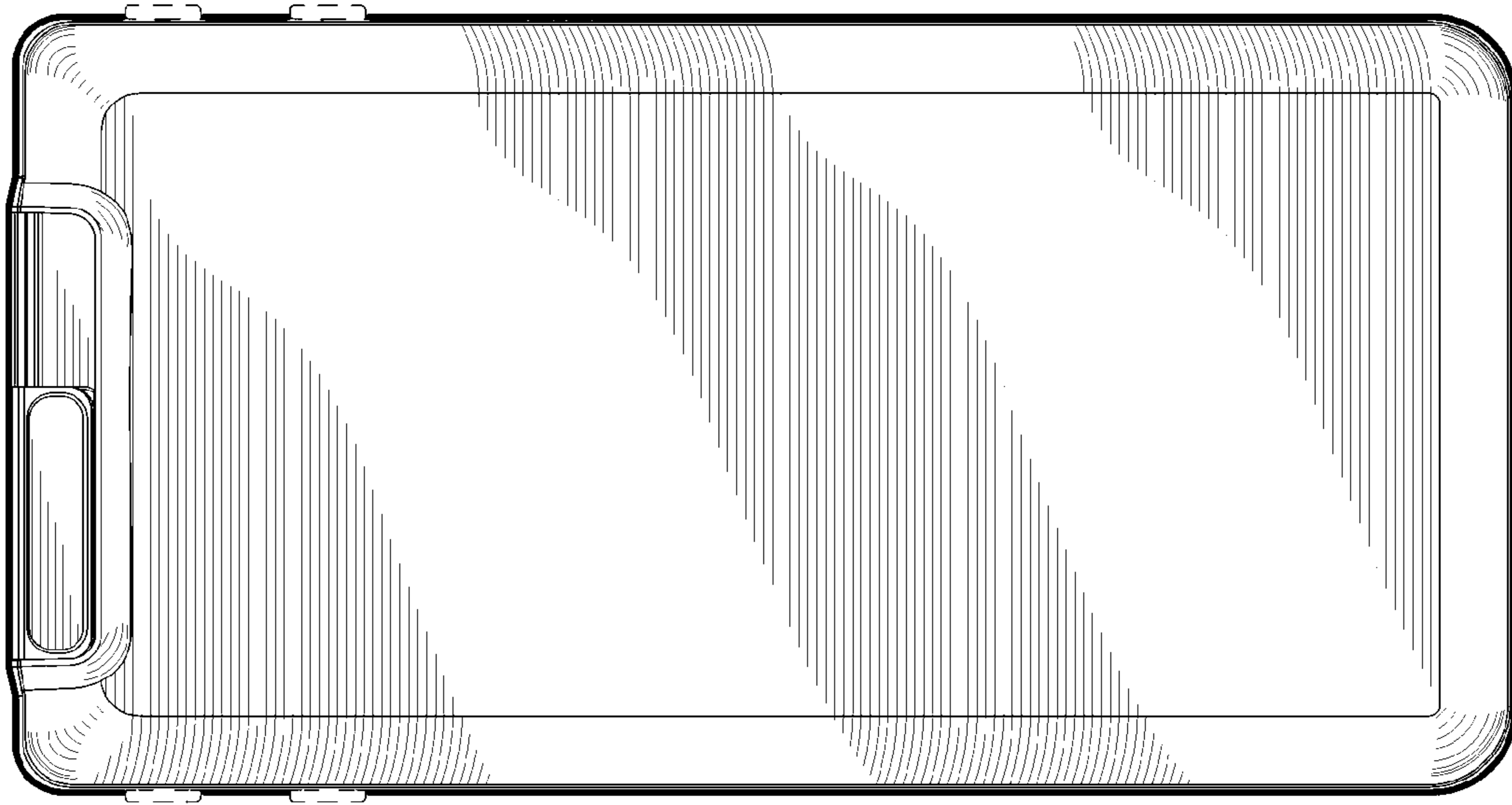
**1 Claim, 5 Drawing Sheets**



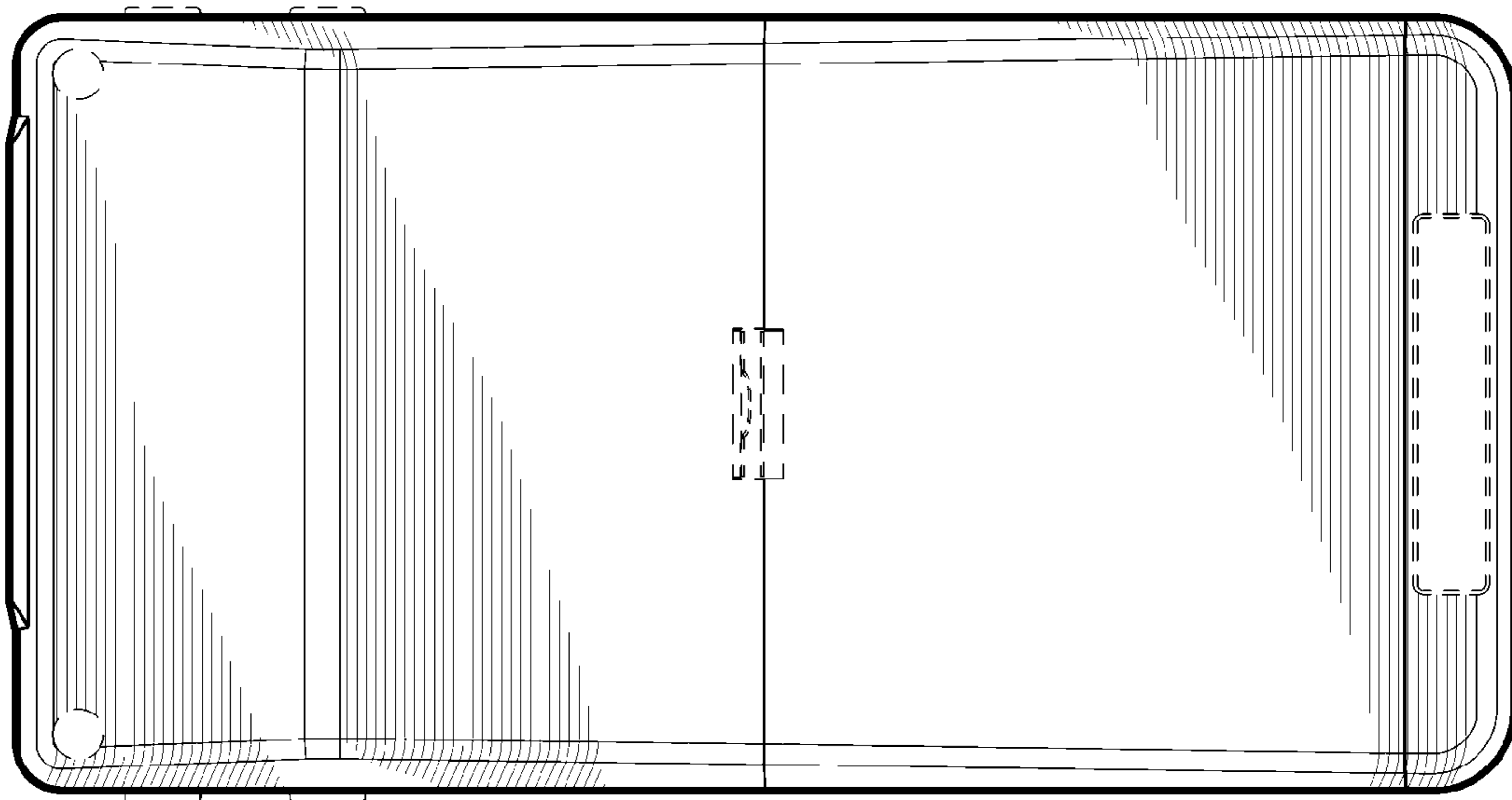


*Fig. 1*

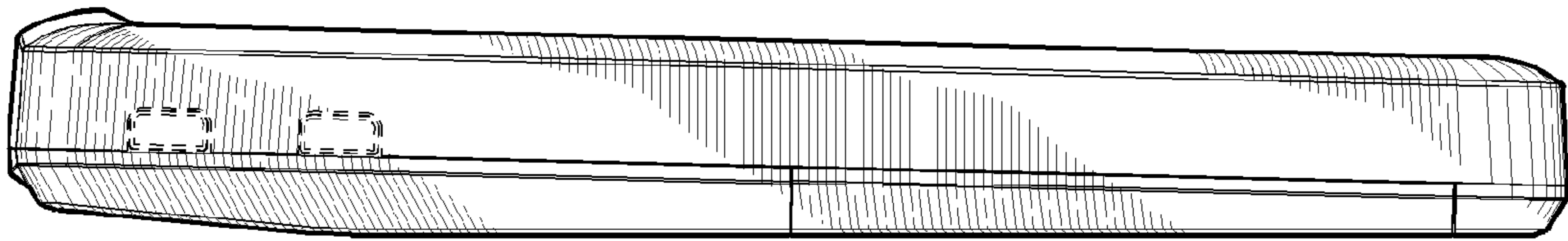




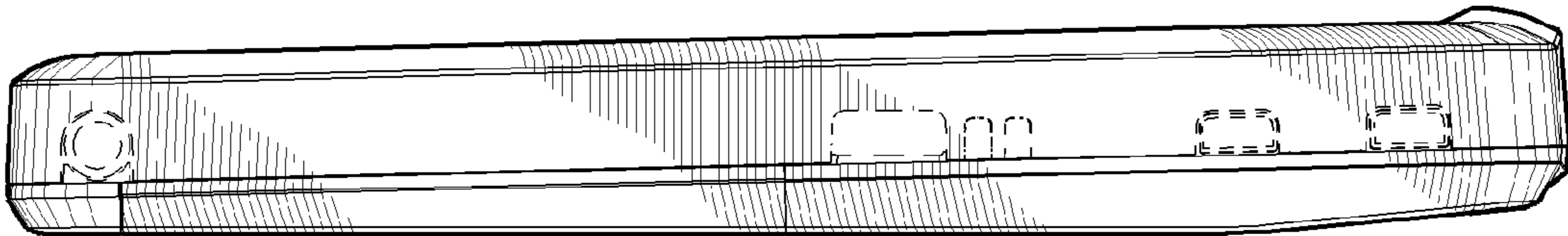
*Fig. 3*



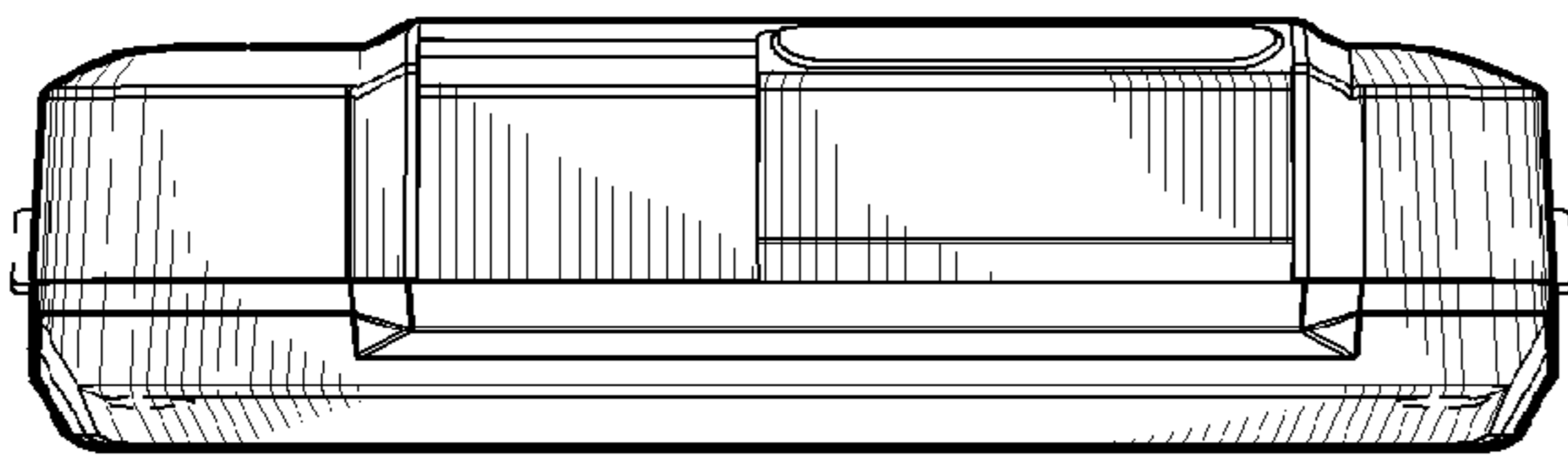
*Fig. 4*



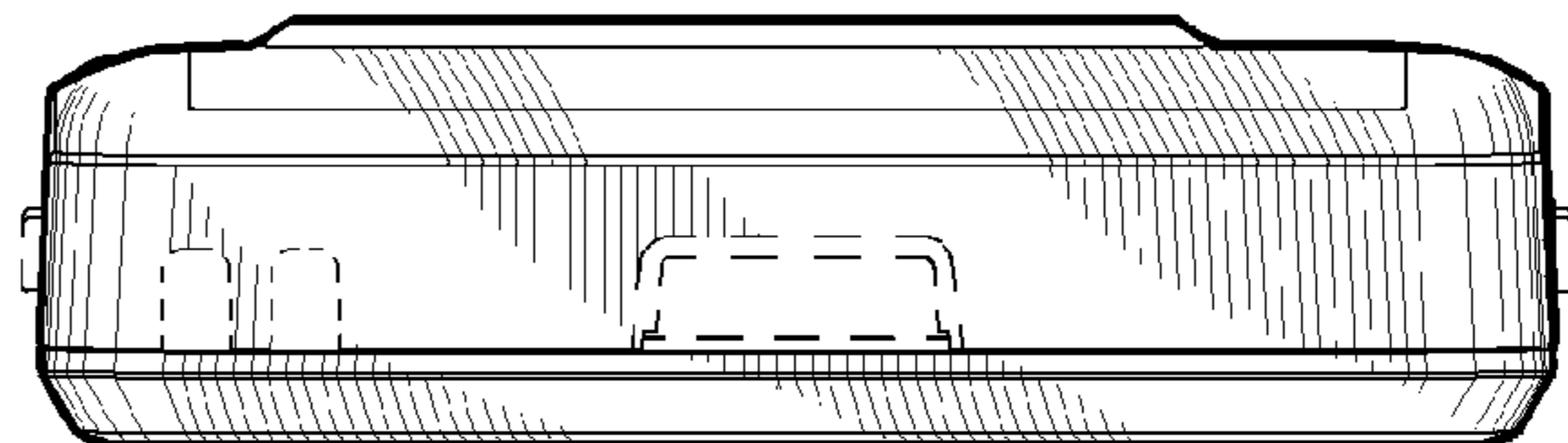
*Fig. 5*



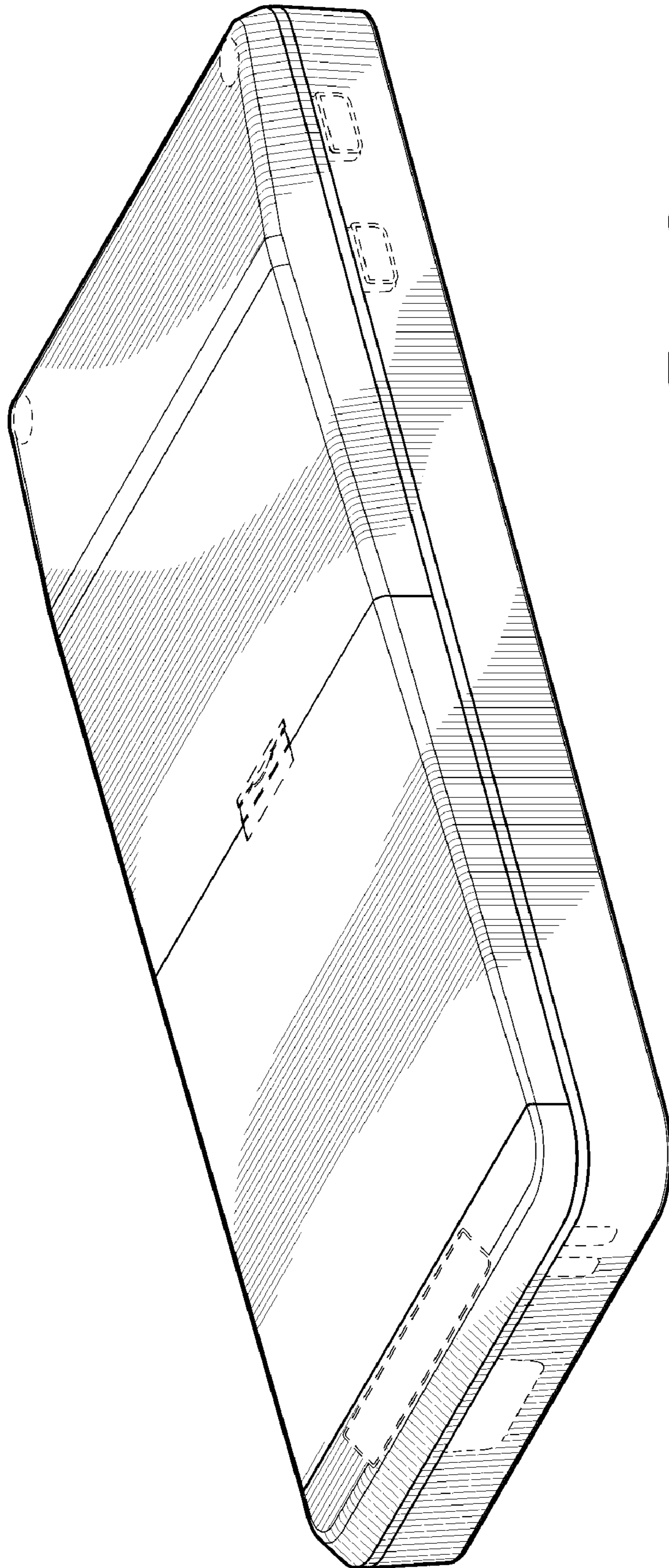
*Fig. 6*



*Fig. 7*



*Fig. 8*



*Fig. 9*