

US00D598941S

(12) **United States Design Patent**  
**Tanifuji**

(10) **Patent No.:** **US D598,941 S**

(45) **Date of Patent:** **\*\* Aug. 25, 2009**

(54) **VIDEO CAMERA WITH HARD DISC RECORDER**

D548,258 S \* 8/2007 Tanifuji et al. .... D16/202  
D559,879 S \* 1/2008 Sumita ..... D16/202  
D574,027 S \* 7/2008 Miyazaki ..... D16/202

(75) Inventor: **Shuji Tanifuji**, Kanagawa-ken (JP)

\* cited by examiner

(73) Assignee: **Victor Company of Japan, Limited**, Kanagawa (JP)

*Primary Examiner*—Adir Aronovich

(74) *Attorney, Agent, or Firm*—Osha • Liang LLP

(\*\*) Term: **14 Years**

(57) **CLAIM**

(21) Appl. No.: **29/313,979**

The ornamental design for a video camera with hard disc recorder, as shown and described.

(22) Filed: **Feb. 24, 2009**

(30) **Foreign Application Priority Data**

**DESCRIPTION**

Sep. 1, 2008 (JP) ..... 2008-022422

FIG. 1 is a perspective view of the front, right side and top plan of a video camera with hard disc recorder showing my new design;

(51) **LOC (9) Cl.** ..... **16-01**

FIG. 2 is a front elevational view thereof;

(52) **U.S. Cl.** ..... **D16/202**

FIG. 3 is a rear elevational view thereof;

(58) **Field of Classification Search** ..... D16/200–205, D16/208, 218; 348/373–376; 358/906; 396/535–541  
See application file for complete search history.

FIG. 4 is a top plan view thereof;

FIG. 5 is a bottom view thereof;

(56) **References Cited**

FIG. 6 is a right side elevational view thereof; and,

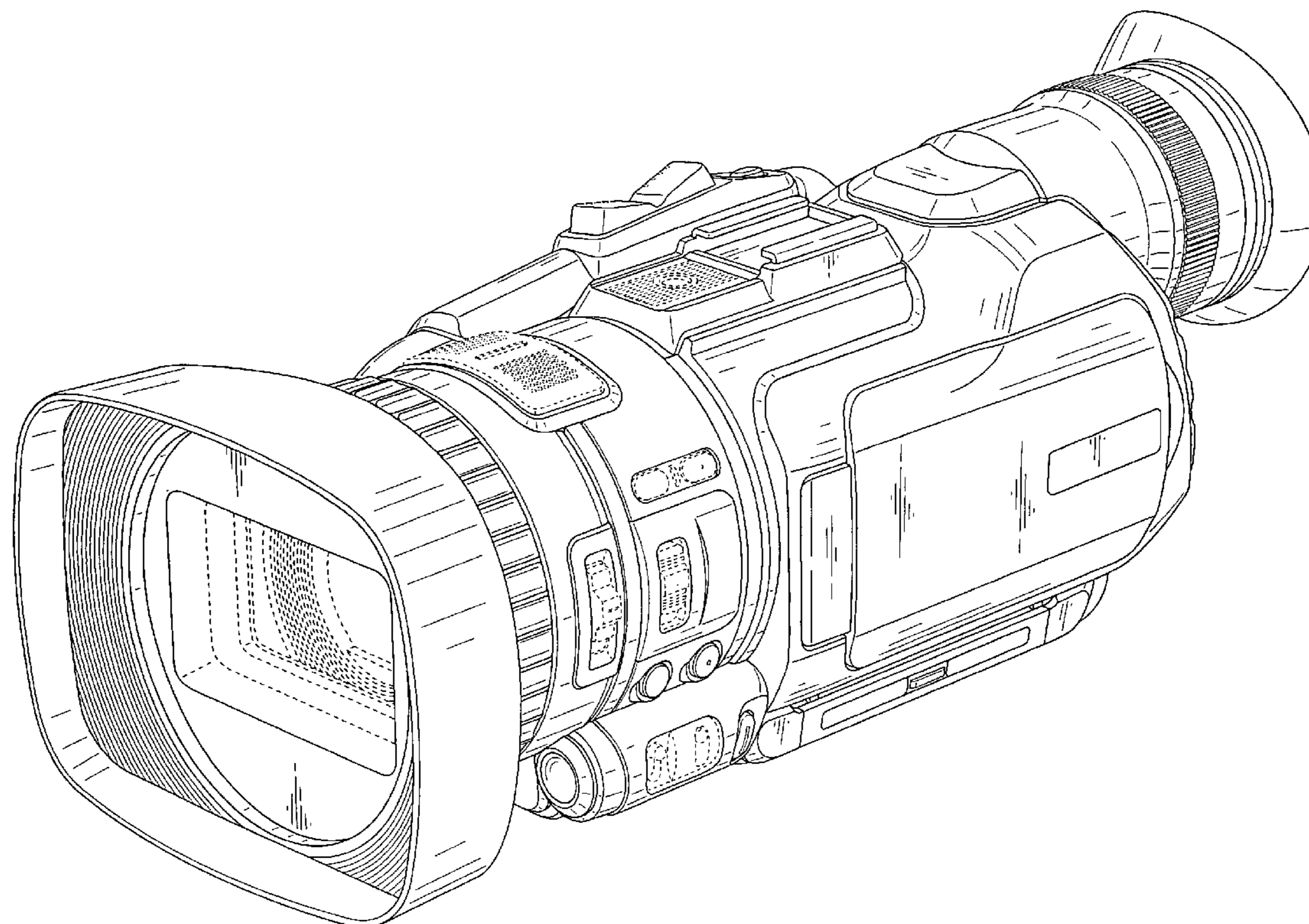
FIG. 7 is a left side elevational view thereof.

**U.S. PATENT DOCUMENTS**

The elements shown in broken lines are for illustrative purposes only and form no part of the claimed design.

D380,484 S \* 7/1997 Sumita ..... D16/202  
D408,832 S \* 4/1999 Kobayashi ..... D16/202  
D438,552 S \* 3/2001 Sumita ..... D16/202  
6,434,325 B1 \* 8/2002 Noda et al. .... 358/906

**1 Claim, 6 Drawing Sheets**



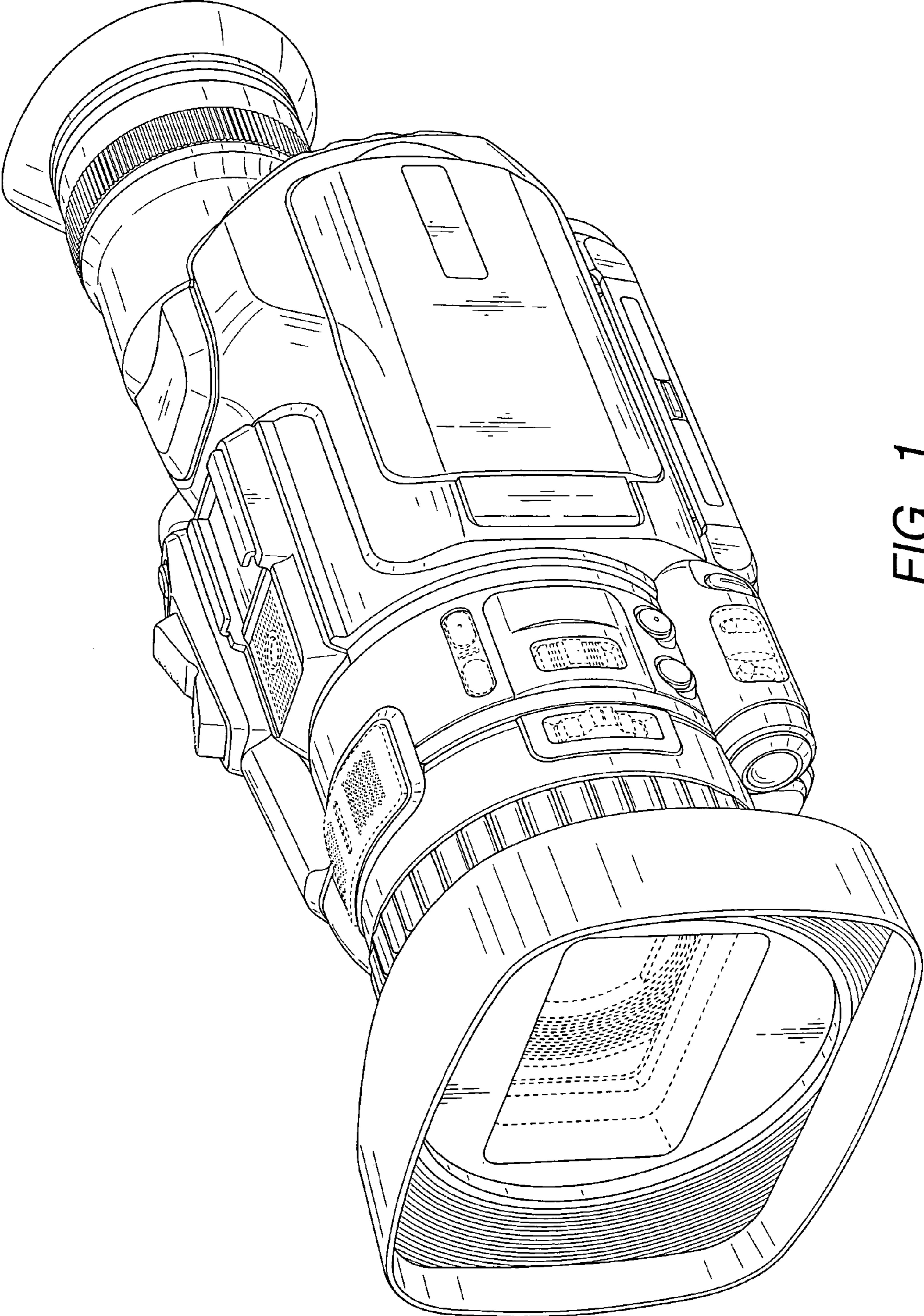
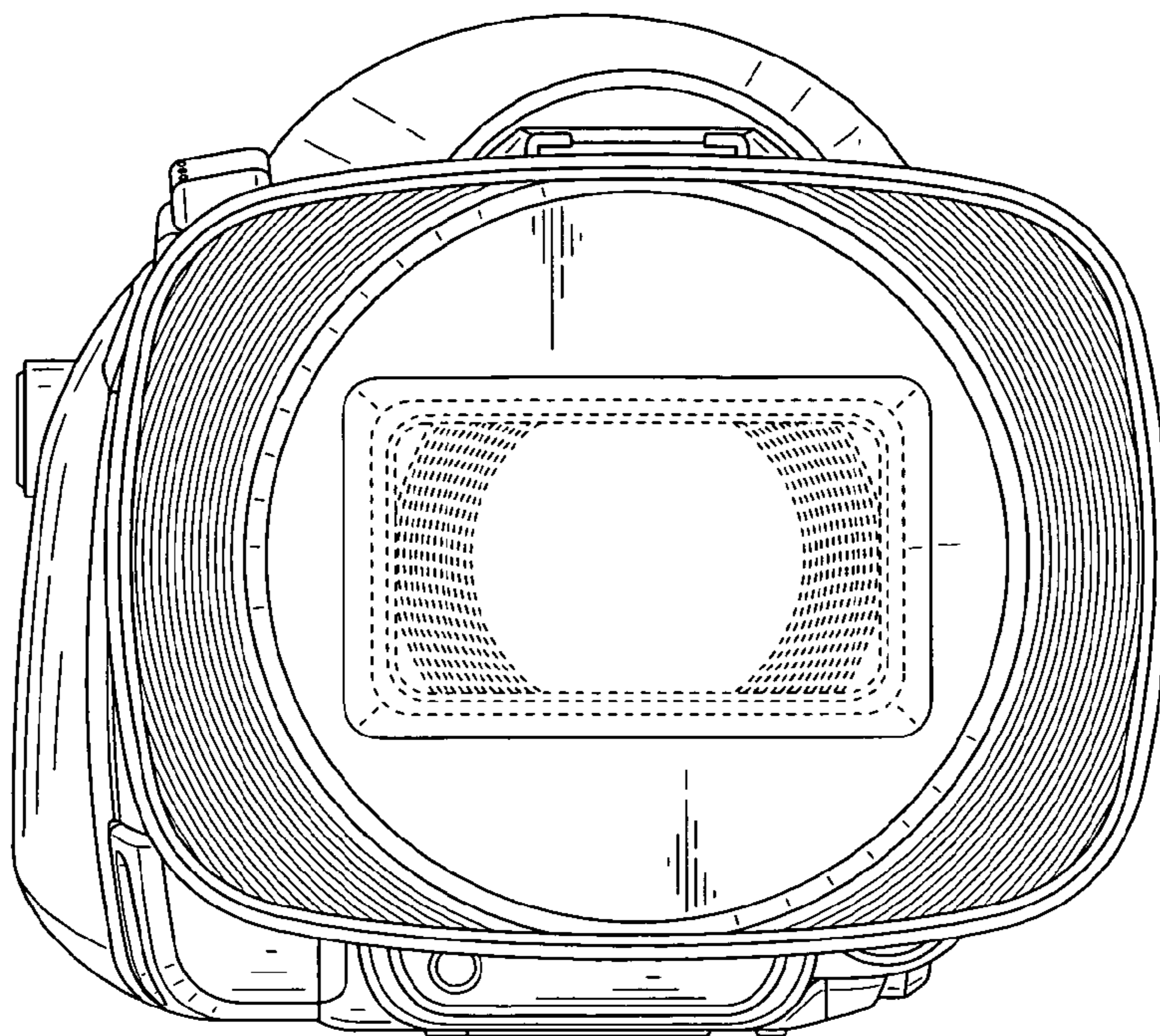
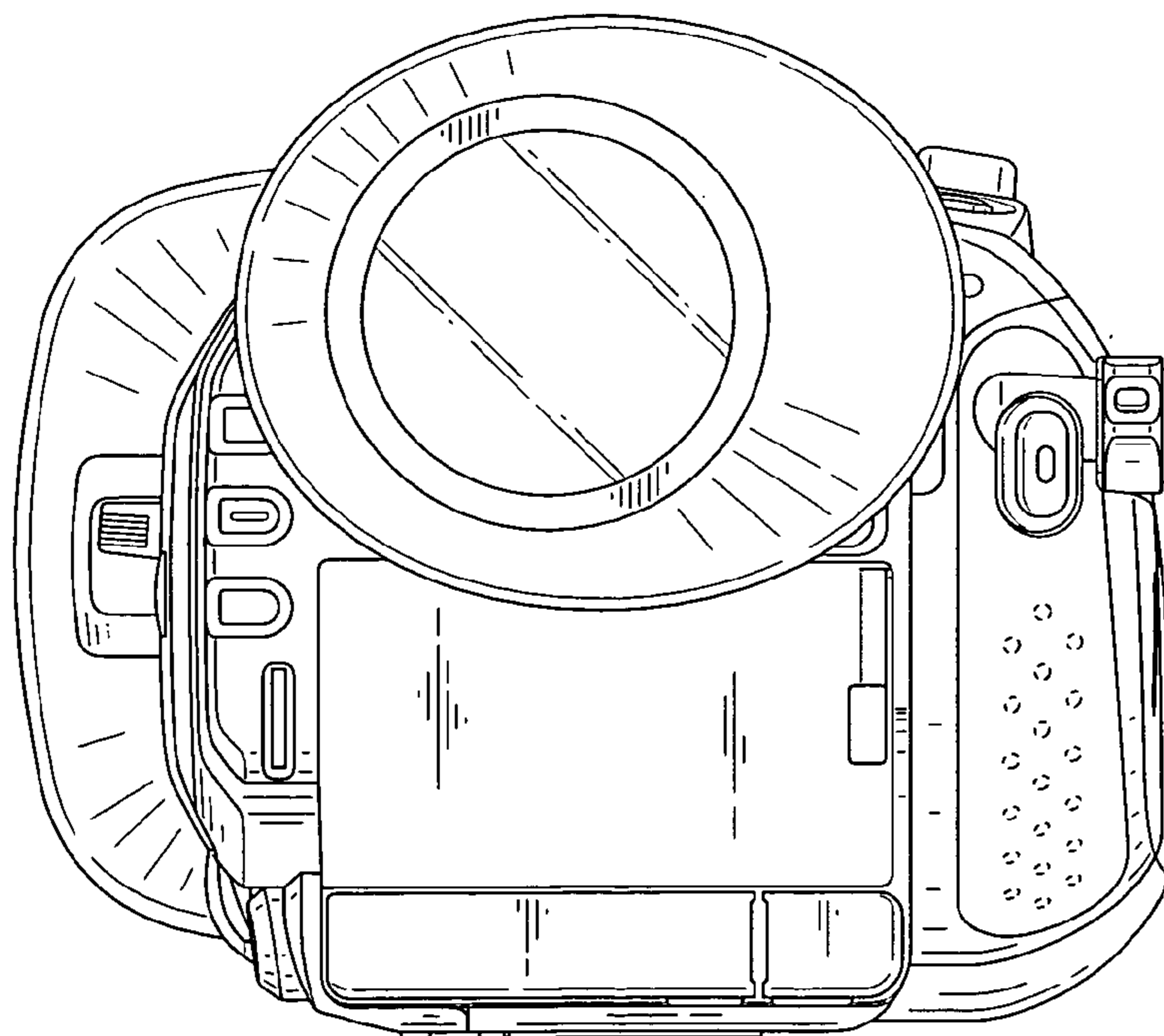


FIG. 1



*FIG. 2*



*FIG. 3*

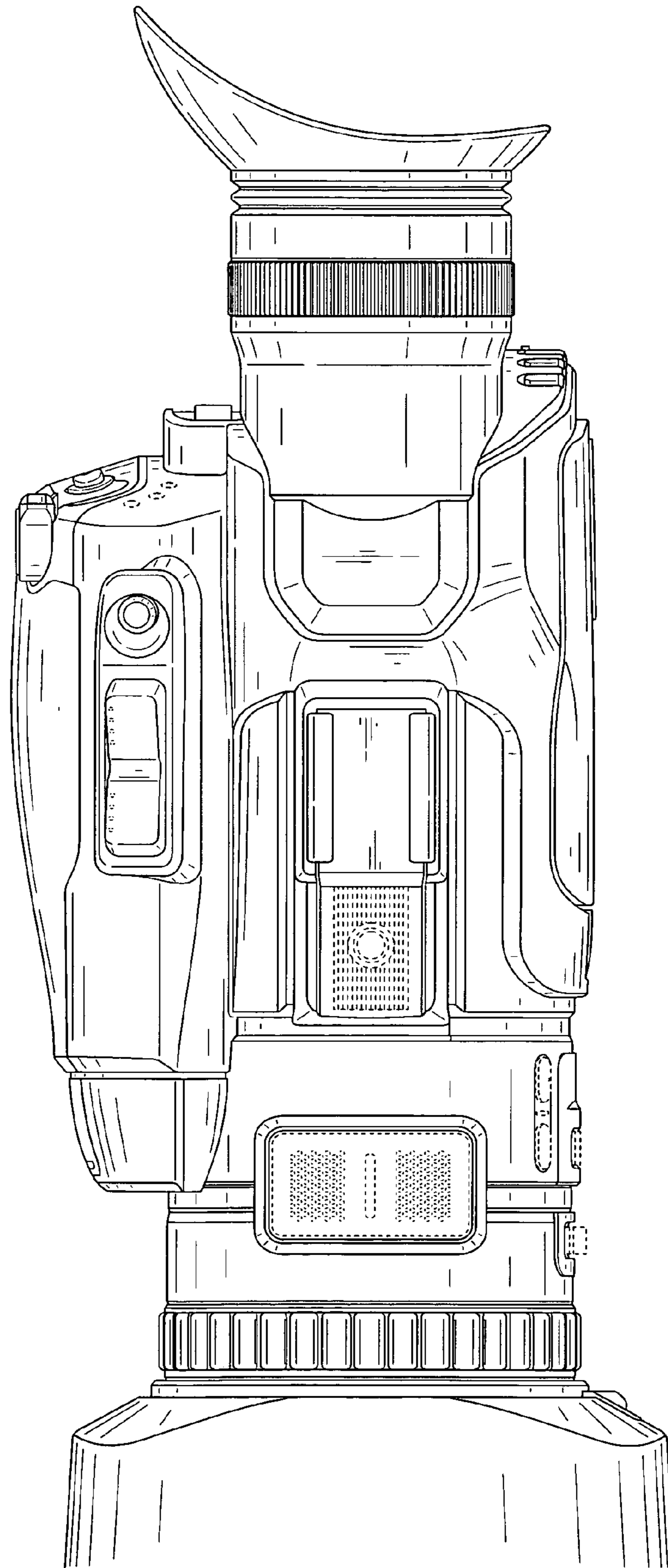


FIG. 4

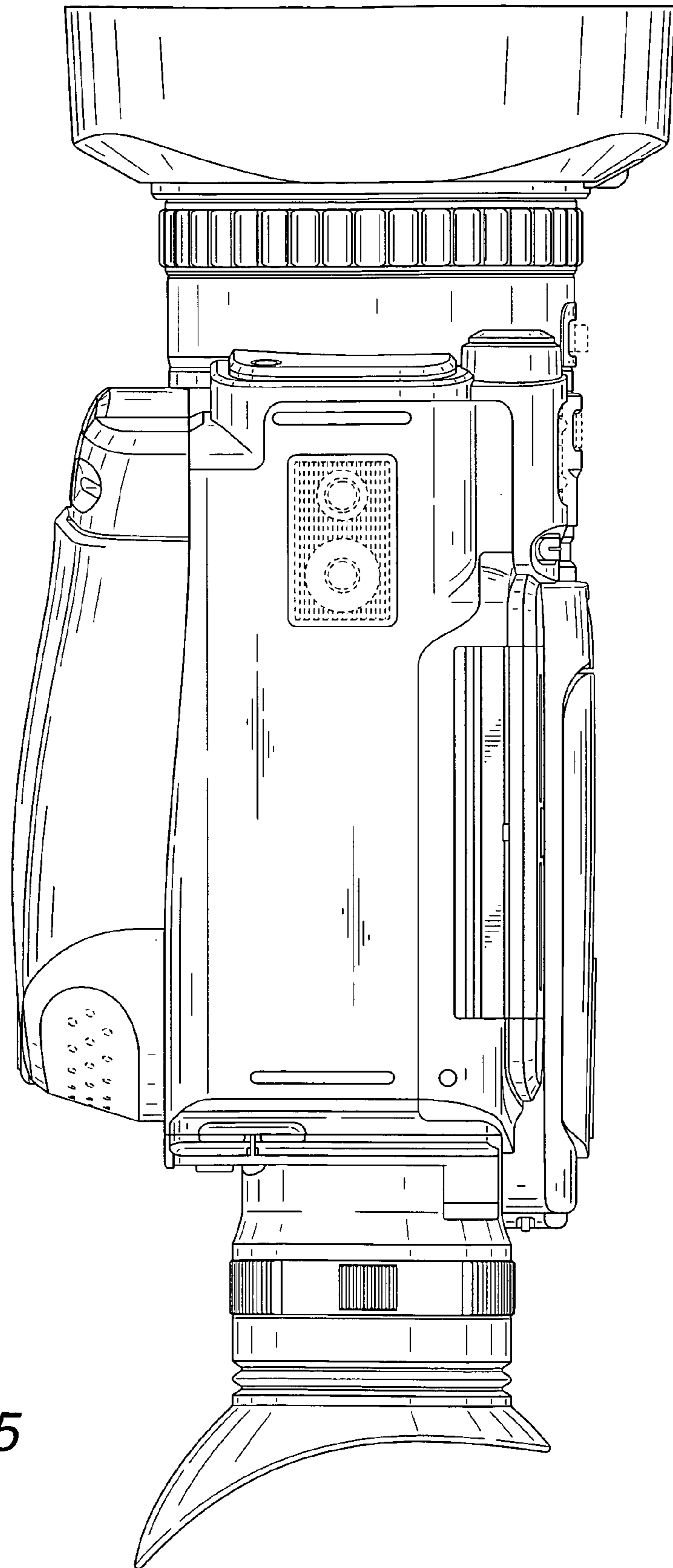


FIG. 5

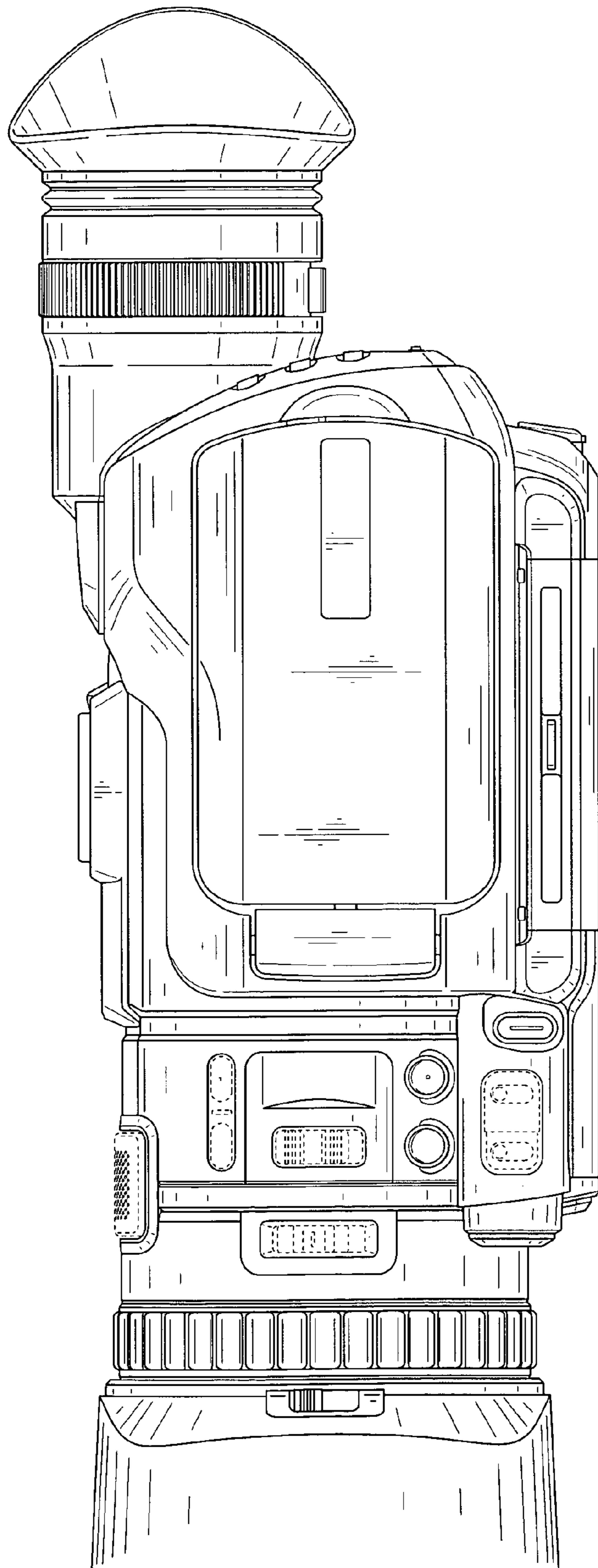


FIG. 6

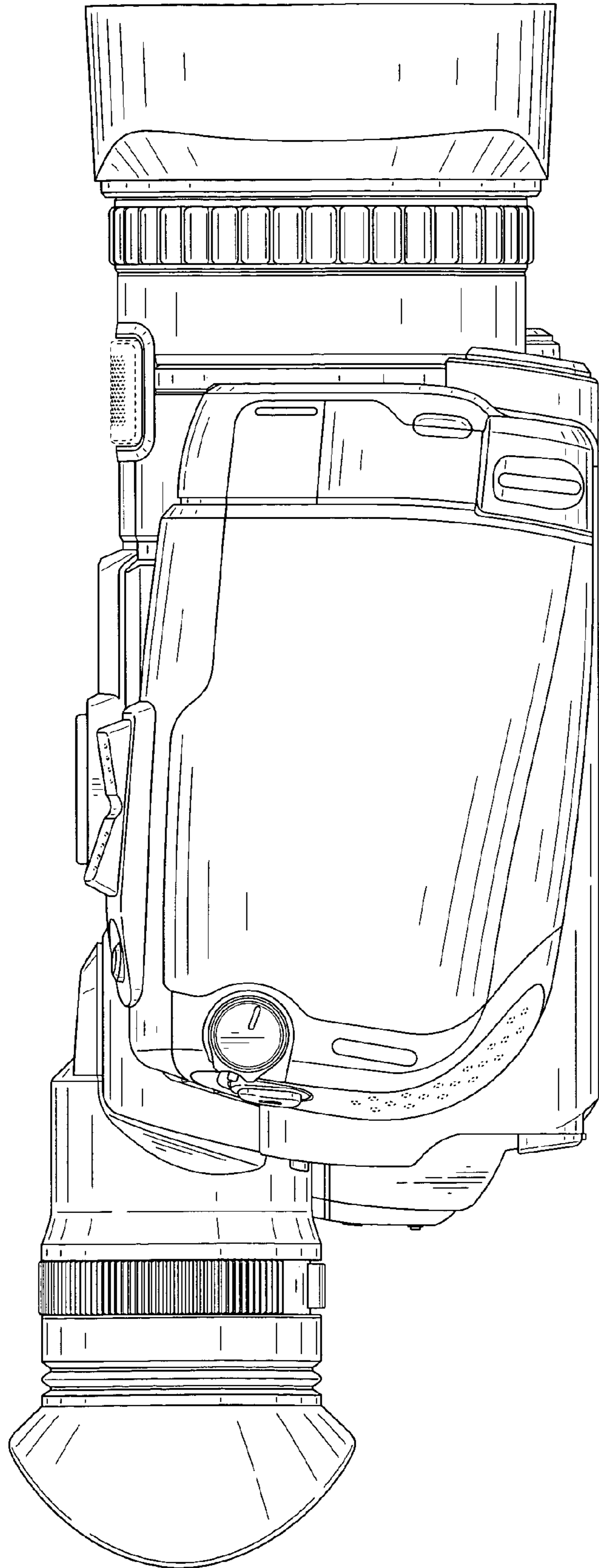


FIG. 7