



US00D598940S

(12) **United States Design Patent**
Mihara et al.

(10) **Patent No.:** **US D598,940 S**

(45) **Date of Patent:** **** Aug. 25, 2009**

(54) **VIDEO CAMERA WITH MEMORY CARD RECORDER**

(75) Inventors: **Masaya Mihara**, Kanagawa-ken (JP);
Shuji Tanifuji, Kanagawa-ken (JP);
Tatsuya Narita, Kanagawa-ken (JP)

(73) Assignee: **Victor Company of Japan, Limited**,
Kanagawa (JP)

(**) Term: **14 Years**

(21) Appl. No.: **29/313,692**

(22) Filed: **Feb. 3, 2009**

(30) **Foreign Application Priority Data**

Aug. 6, 2008 (JP) 2008-020287

(51) **LOC (9) Cl.** **16-01**

(52) **U.S. Cl.** **D16/202**

(58) **Field of Classification Search** D16/200–205,
D16/206, 218; 348/373–376; 358/906; 396/535–541
See application file for complete search history.

(56) **References Cited**

U.S. PATENT DOCUMENTS

- D521,041 S * 5/2006 Chung et al. D16/202
- D544,514 S * 6/2007 Tanifuji et al. D16/202
- D560,241 S * 1/2008 Chung D16/202

- D565,620 S * 4/2008 Masano D16/202
- D566,150 S * 4/2008 Sadatsuki D16/202
- D587,735 S * 3/2009 Narita et al. D16/202
- D590,862 S * 4/2009 Nishiwaki D16/202
- 2007/0126925 A1 * 6/2007 Masuda et al. 348/375

* cited by examiner

Primary Examiner—Adir Aronovich

(74) *Attorney, Agent, or Firm*—Osha•Liang LLP

(57) **CLAIM**

The ornamental design for a video camera with memory card recorder, as shown and described.

DESCRIPTION

FIG. 1 is a front, top and right side perspective view of a video camera with memory card recorder showing our new design;

FIG. 2 is a front elevational view thereof;

FIG. 3 is a rear elevational view thereof;

FIG. 4 is a top plan view thereof;

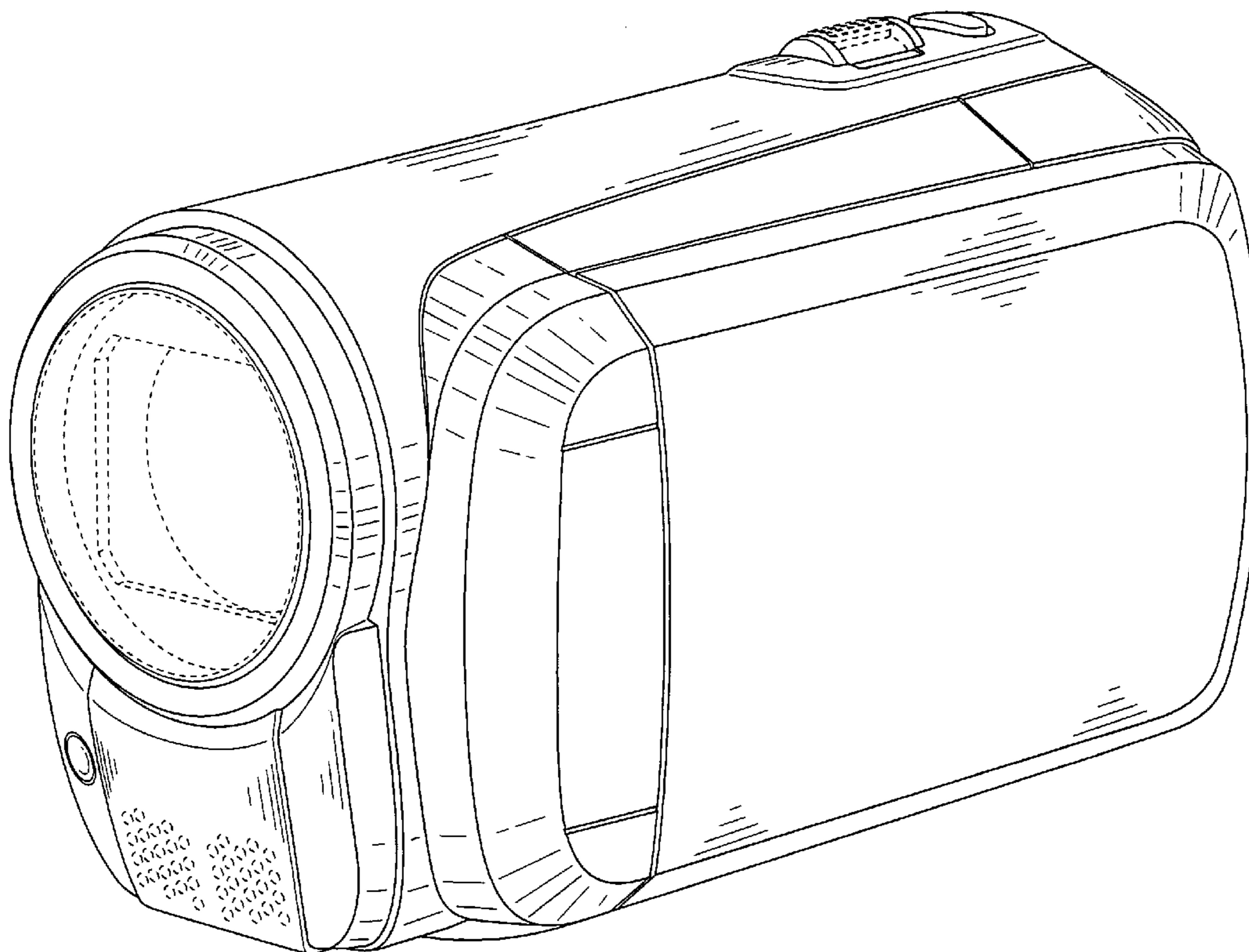
FIG. 5 is a bottom view thereof;

FIG. 6 is a right side elevational view thereof; and,

FIG. 7 is a left side elevational view thereof.

The elements shown in broken lines are for illustrative purposes only and form no part of the claimed design.

1 Claim, 7 Drawing Sheets



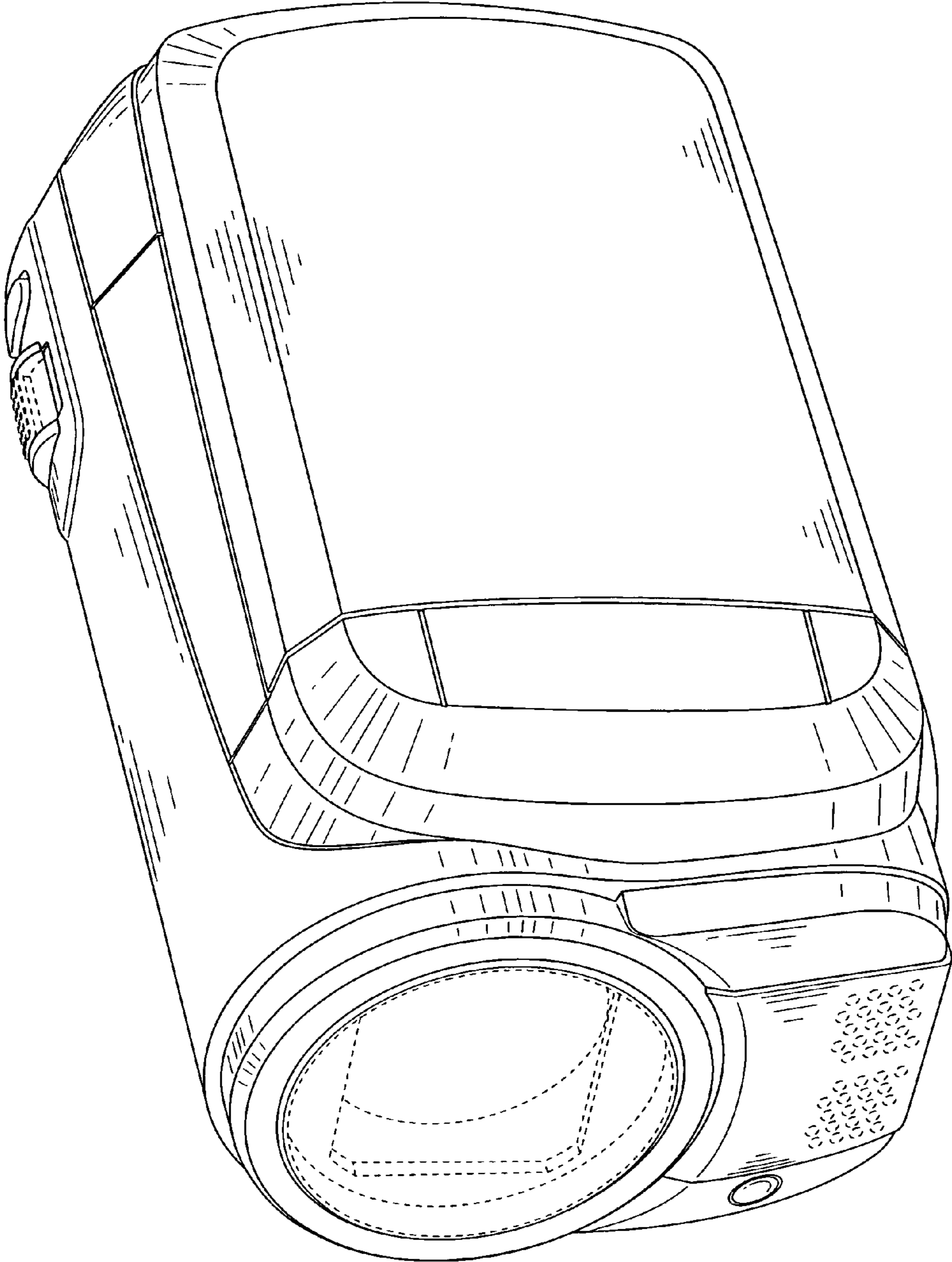


FIG. 1

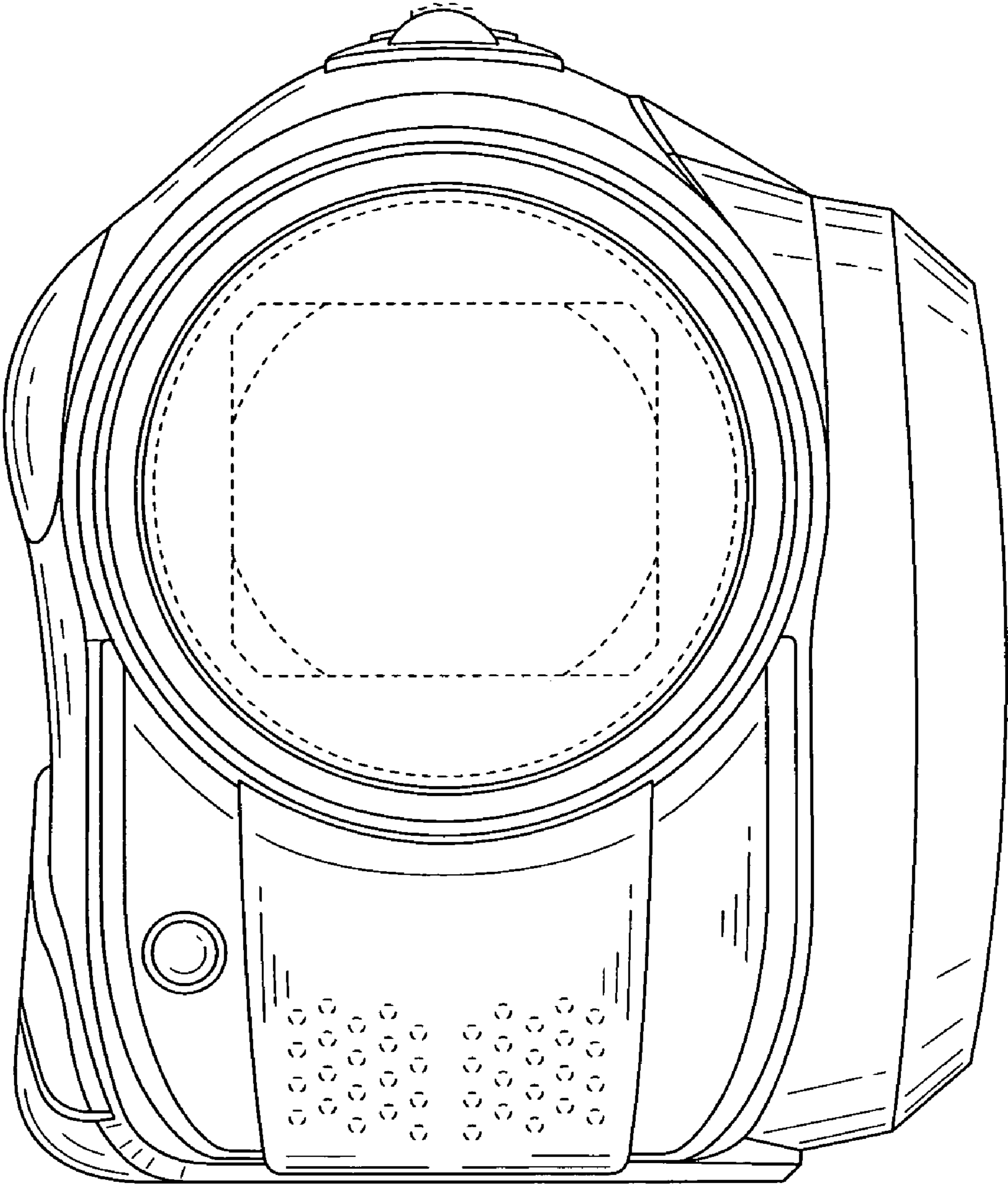


FIG. 2

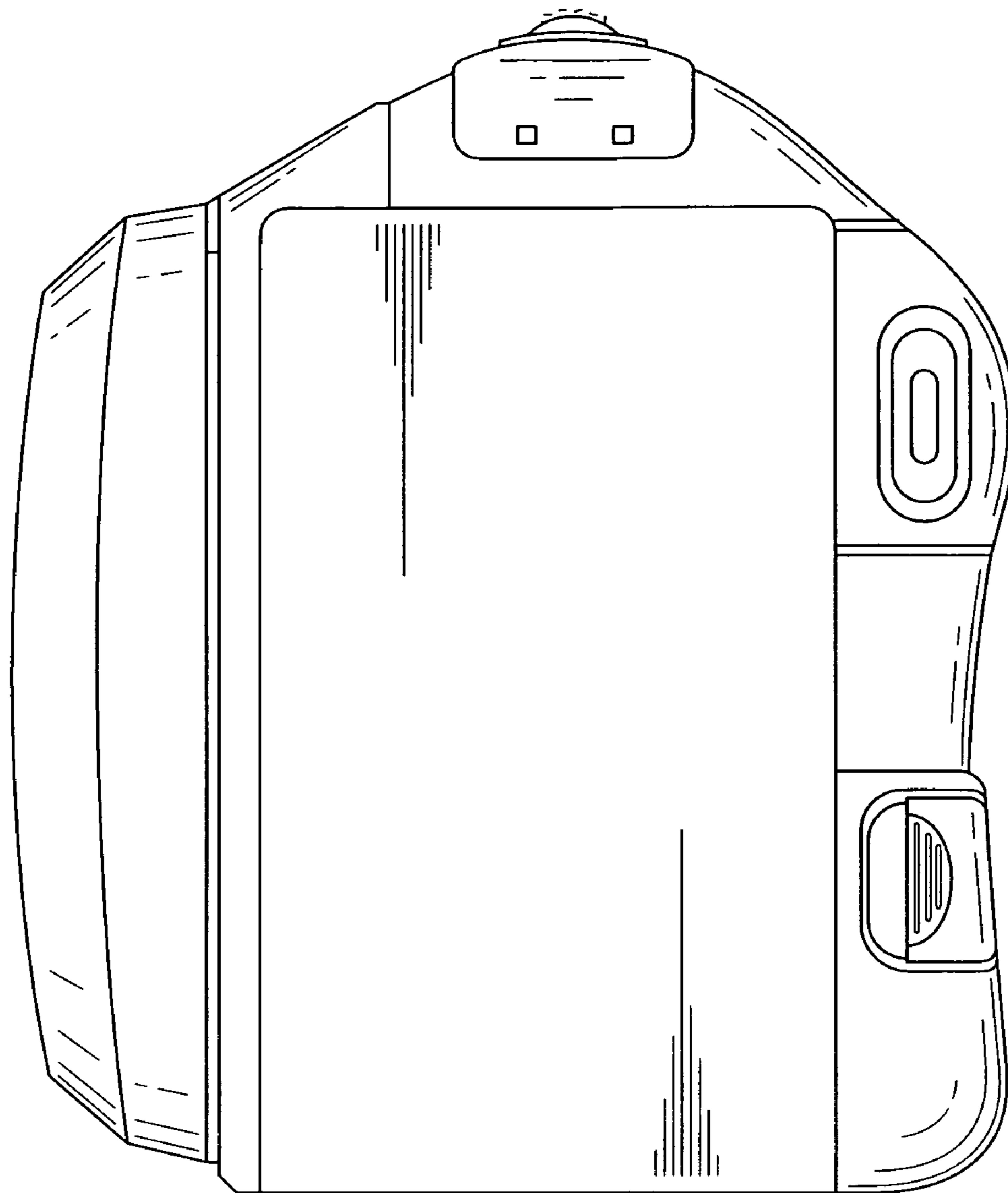


FIG. 3

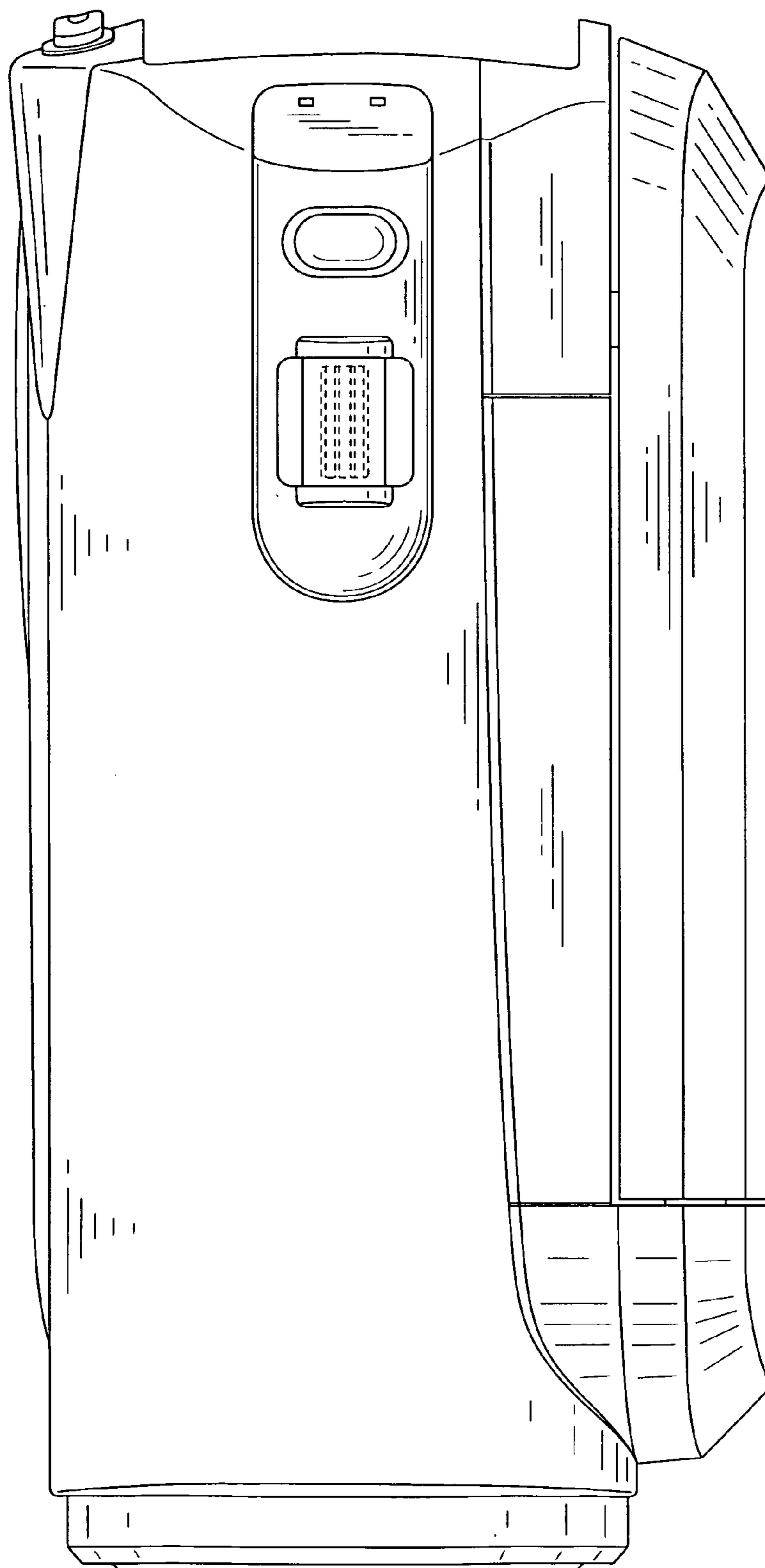


FIG. 4

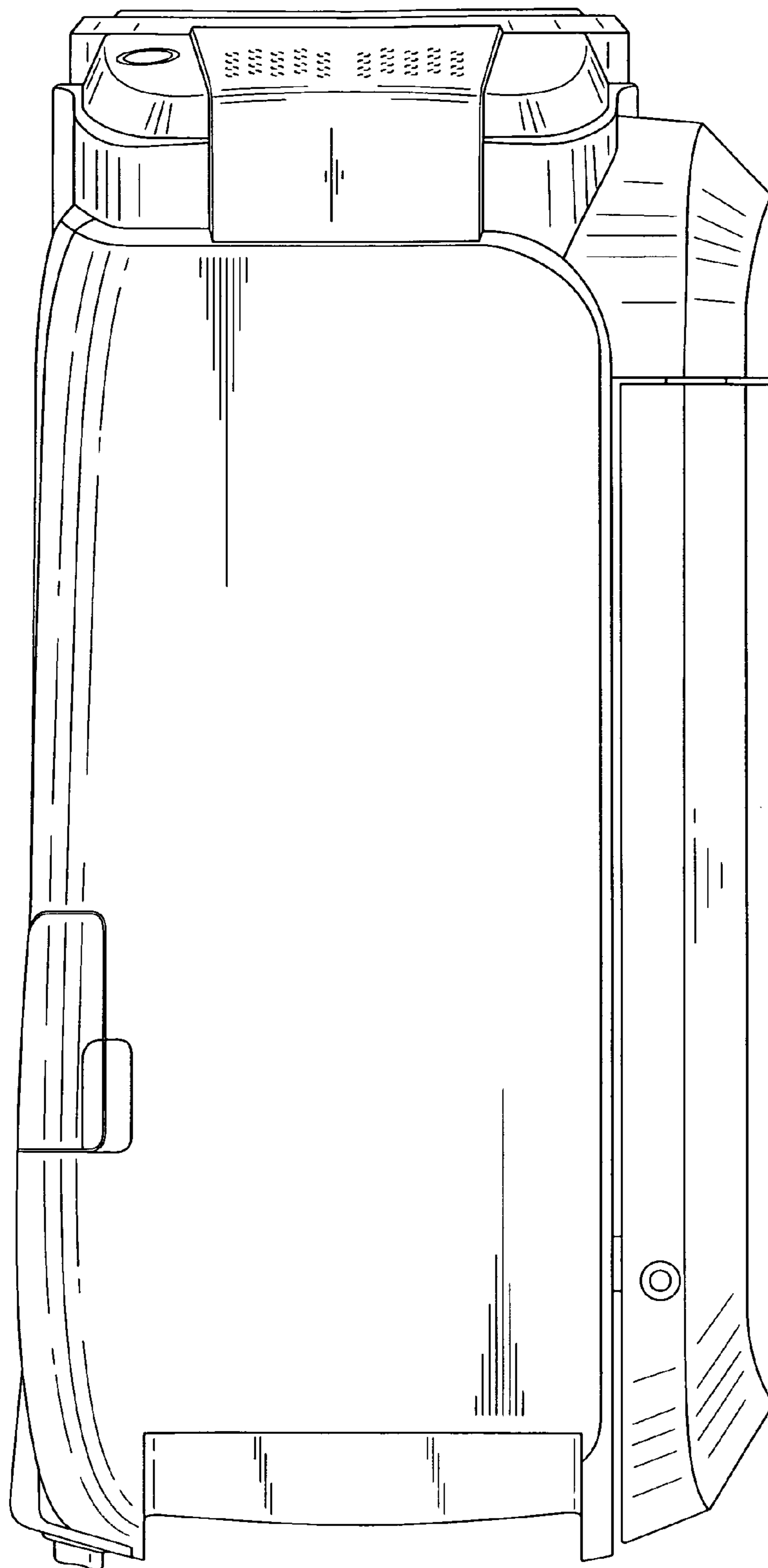


FIG. 5

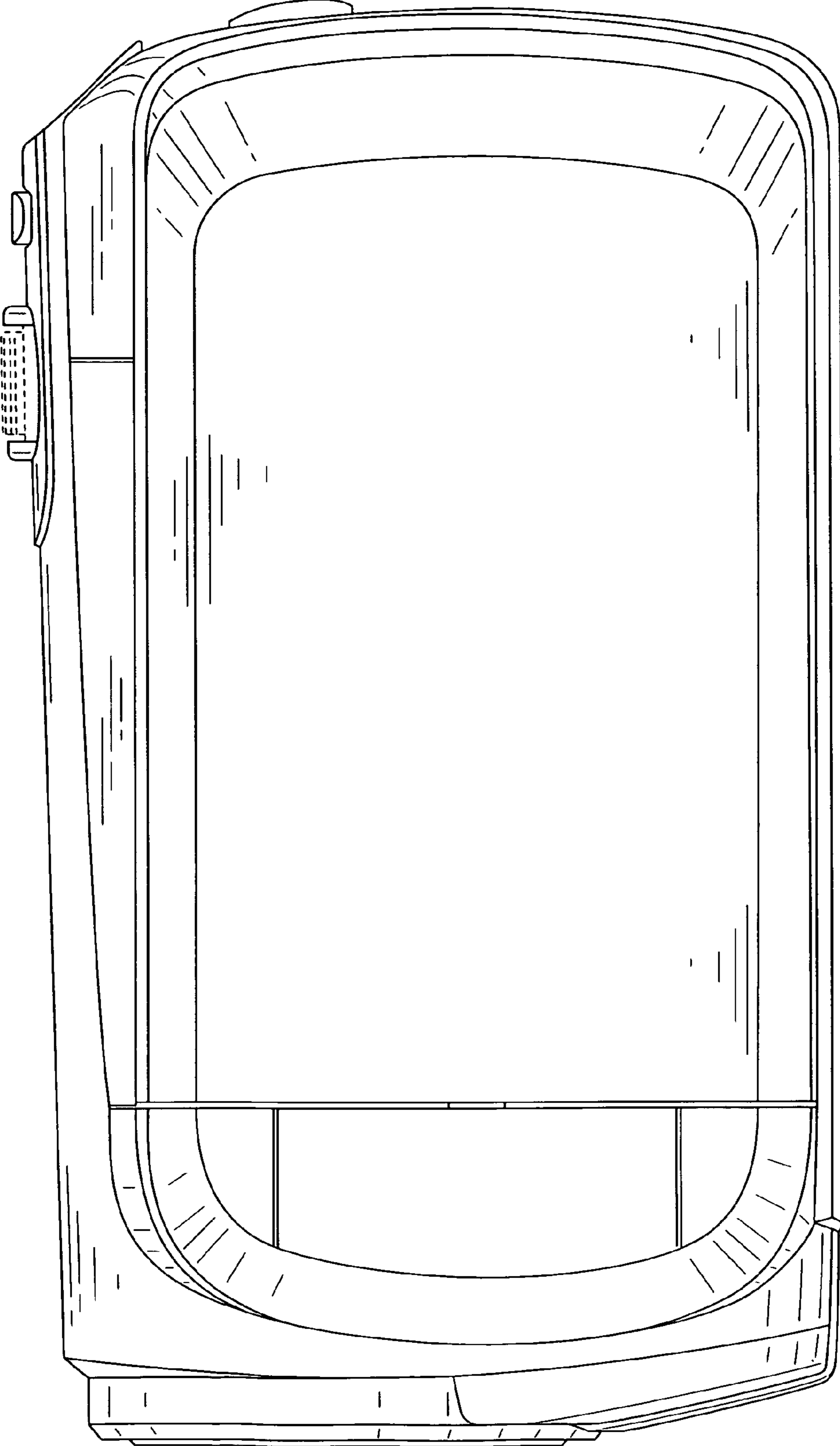


FIG. 6

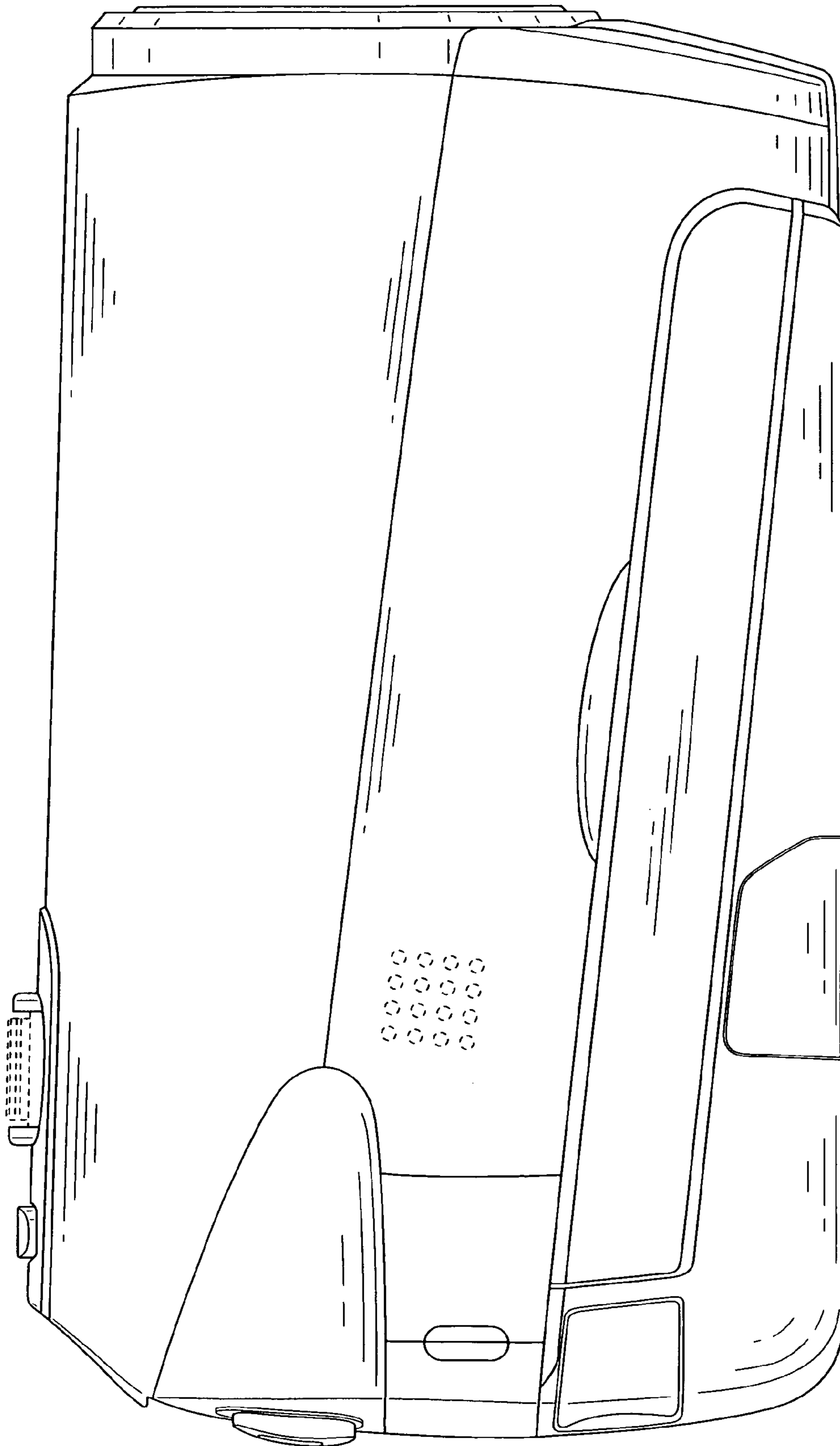


FIG. 7