

US00D598939S

(12) **United States Design Patent**
Ortega

(10) **Patent No.:** **US D598,939 S**

(45) **Date of Patent:** **** Aug. 25, 2009**

(54) **TIRE MOUNTING DEVICE**

(76) **Inventor:** **John Ortega**, 4333 Hoffman Ave.,
Spring Hill, FL (US) 34606

(**) **Term:** **14 Years**

(21) **Appl. No.:** **29/310,384**

(22) **Filed:** **Aug. 12, 2008**

(51) **LOC (9) Cl.** **15-99**

(52) **U.S. Cl.** **D15/199**

(58) **Field of Classification Search** D15/199;
157/1.1, 1.17, 1.2, 1.24, 1.26, 1.28, 14, 16,
157/17, 19, 20, 21

See application file for complete search history.

(56) **References Cited**

U.S. PATENT DOCUMENTS

2,925,837	A *	2/1960	Twiford	157/20
3,029,861	A *	4/1962	Gambardella	157/1.22
3,786,852	A *	1/1974	Houston	157/1.1
D244,600	S *	6/1977	Cunningham et al.	D15/199
4,173,245	A *	11/1979	Schafer	157/1.24
D269,879	S *	7/1983	Holladay et al.	D15/199
D280,827	S *	10/1985	Clark et al.	D15/199
4,694,875	A *	9/1987	Goebel	157/1.24
D293,916	S *	1/1988	Cunningham et al.	D15/199
4,947,919	A *	8/1990	Timlin	157/1.24
4,986,328	A *	1/1991	Metzger	157/1.24
5,226,465	A *	7/1993	Schon et al.	157/1.28

6,408,921	B1 *	6/2002	Bonacini	157/1.24
7,438,109	B2 *	10/2008	Cunningham	157/1.24
2002/0017368	A1 *	2/2002	Corghi	157/1.24
2006/0049616	A1 *	3/2006	Rogalla et al.	280/727
2008/0128091	A1 *	6/2008	Nomura	157/1.17

* cited by examiner

Primary Examiner—Sandra Snapp
Assistant Examiner—Patricia Palasik
(74) *Attorney, Agent, or Firm*—John Lezdey

(57) **CLAIM**

The ornamental design for a tire mounting device, as shown and described.

DESCRIPTION

FIG. 1 is a front side elevational view of the device showing my new design without a front cover;
FIG. 2 is a rear elevational view thereof;
FIG. 3 is a top elevation view thereof;
FIG. 4 is a bottom elevational view thereof;
FIG. 5 is a right side elevational view thereof;
FIG. 6 is a left side elevational view thereof;
FIG. 7 is a perspective of the device of FIG. 1; and,
FIG. 8 is a perspective view of the device of FIG. 7 with a front cover.

1 Claim, 5 Drawing Sheets

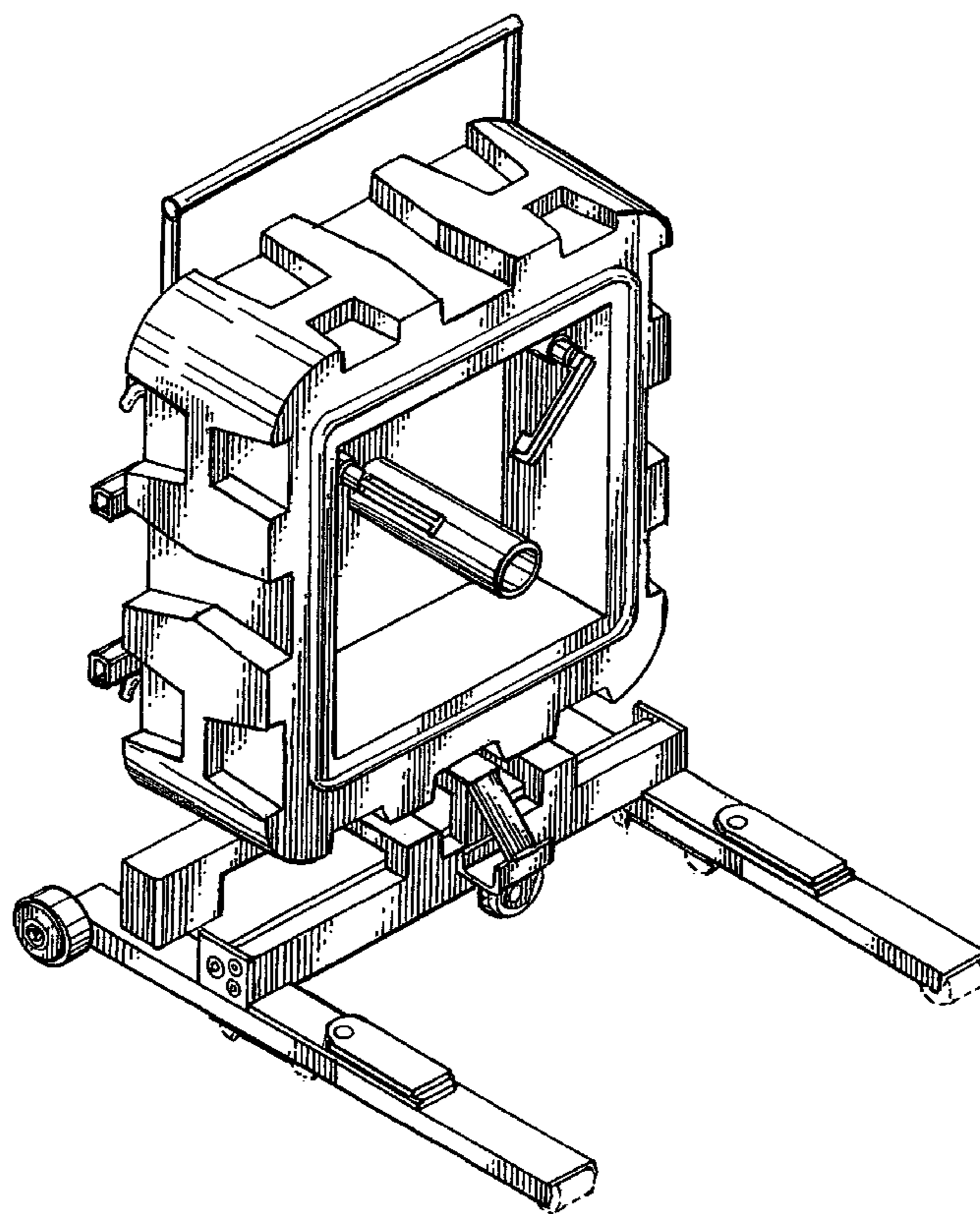


FIG. 1

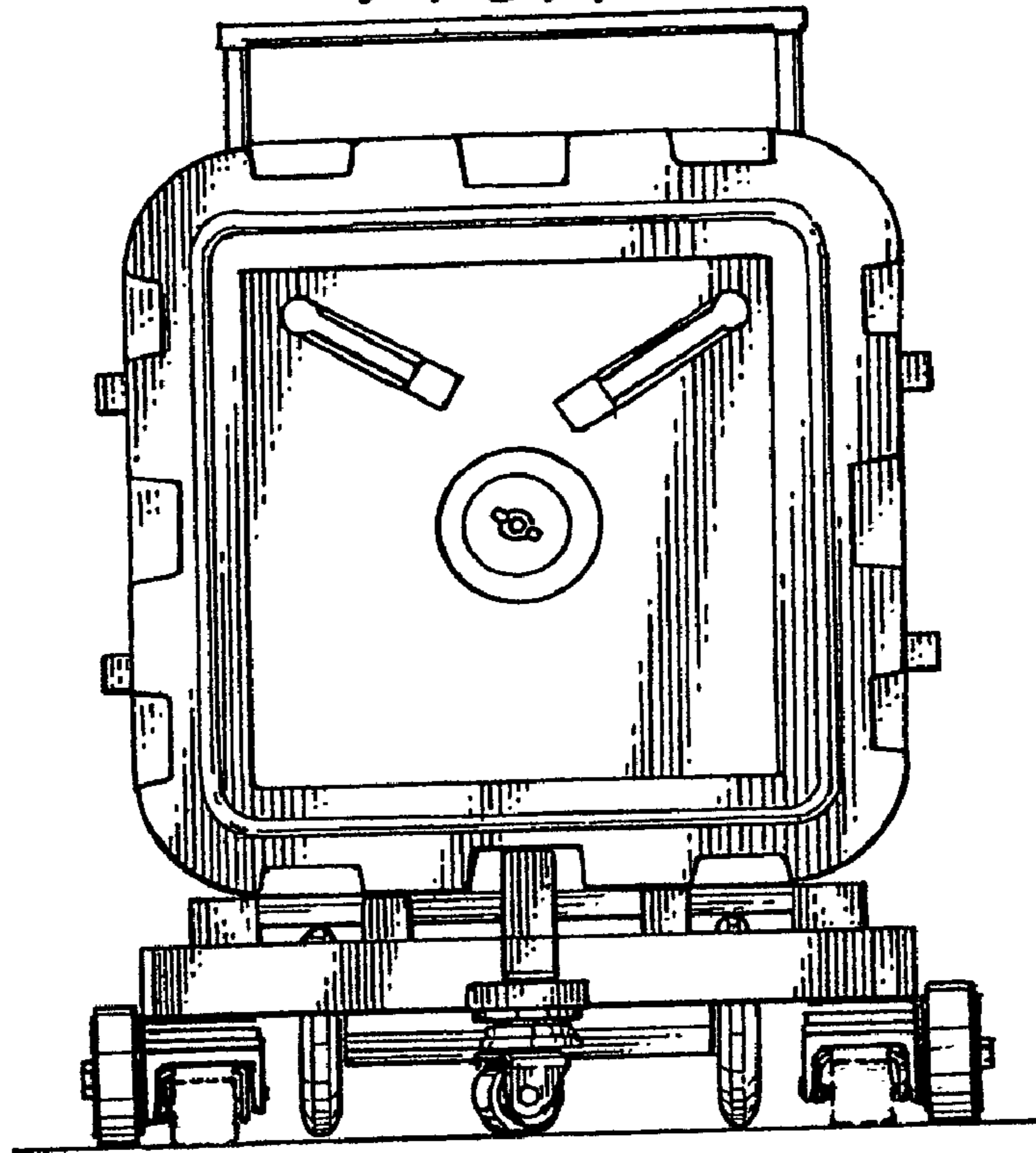


FIG. 2

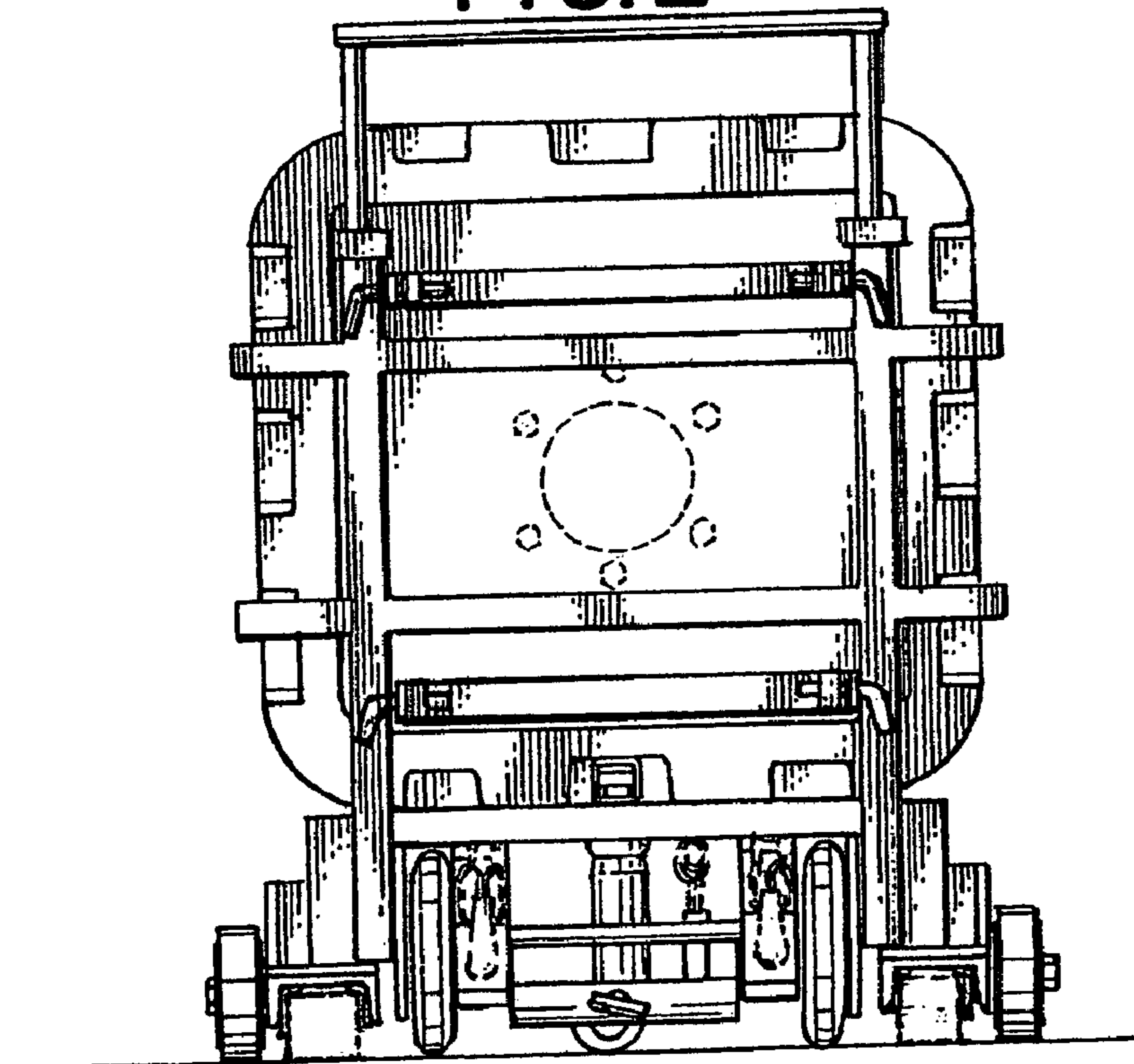


FIG. 3

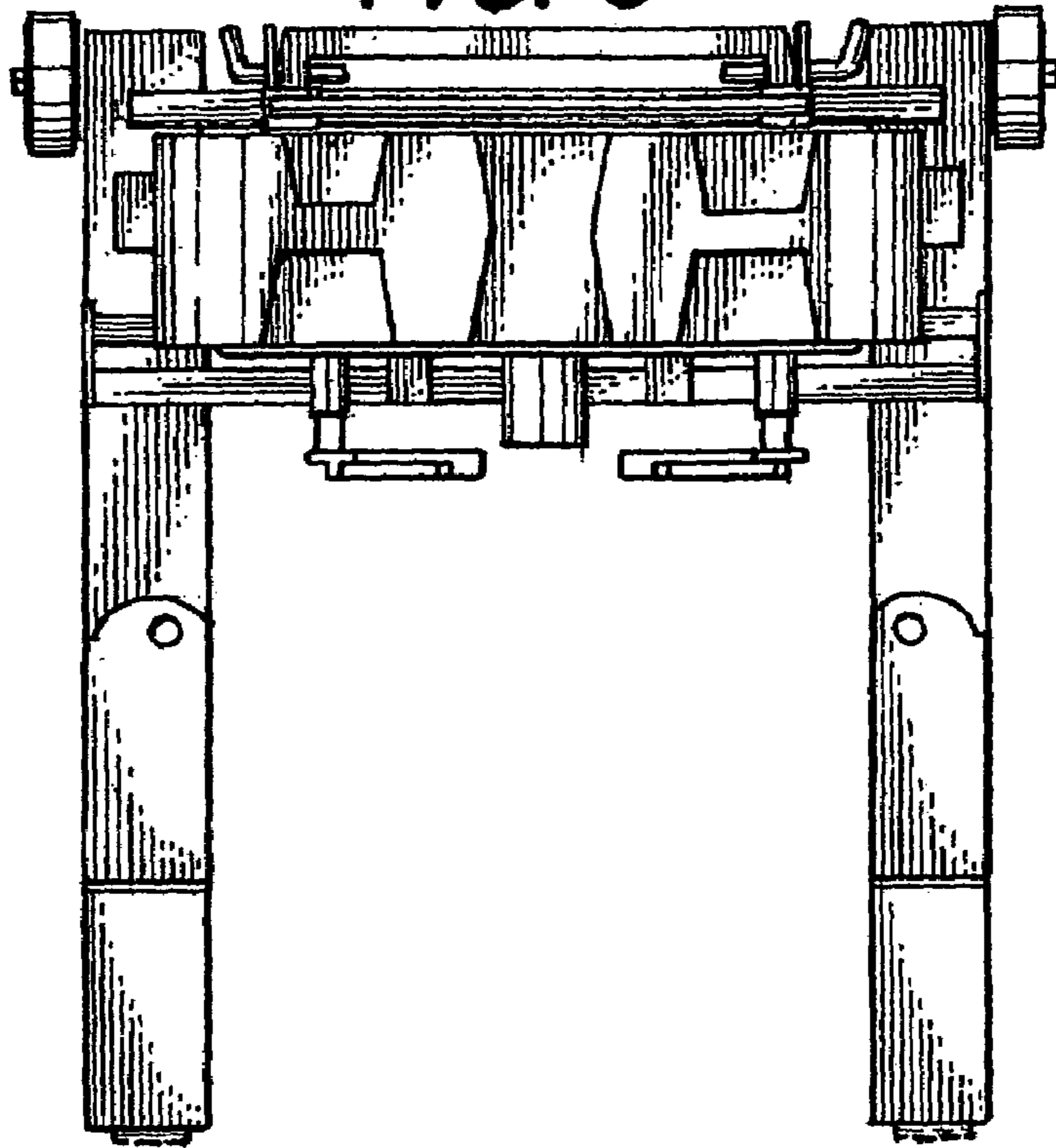


FIG. 4

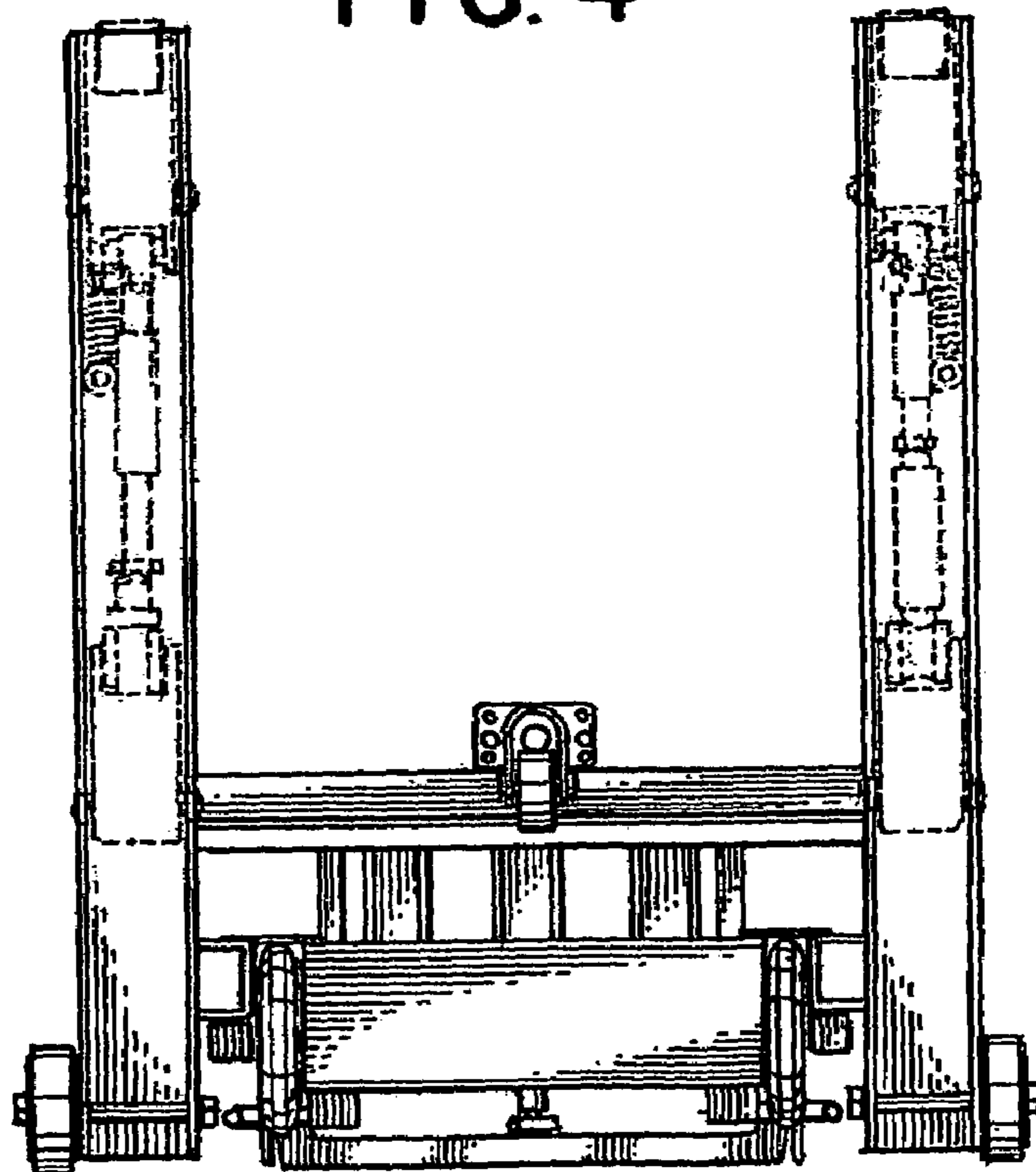


FIG. 5

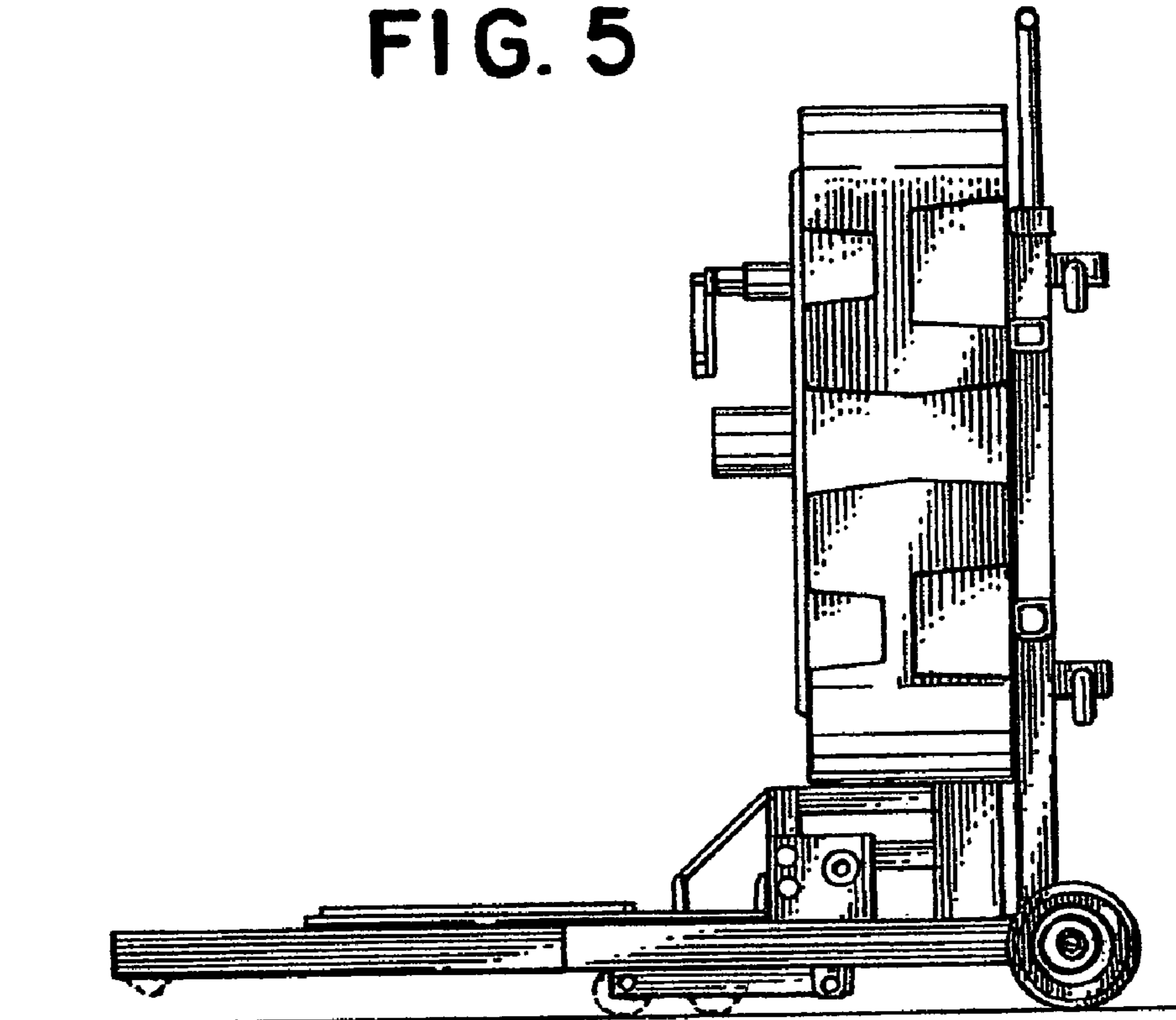


FIG. 6

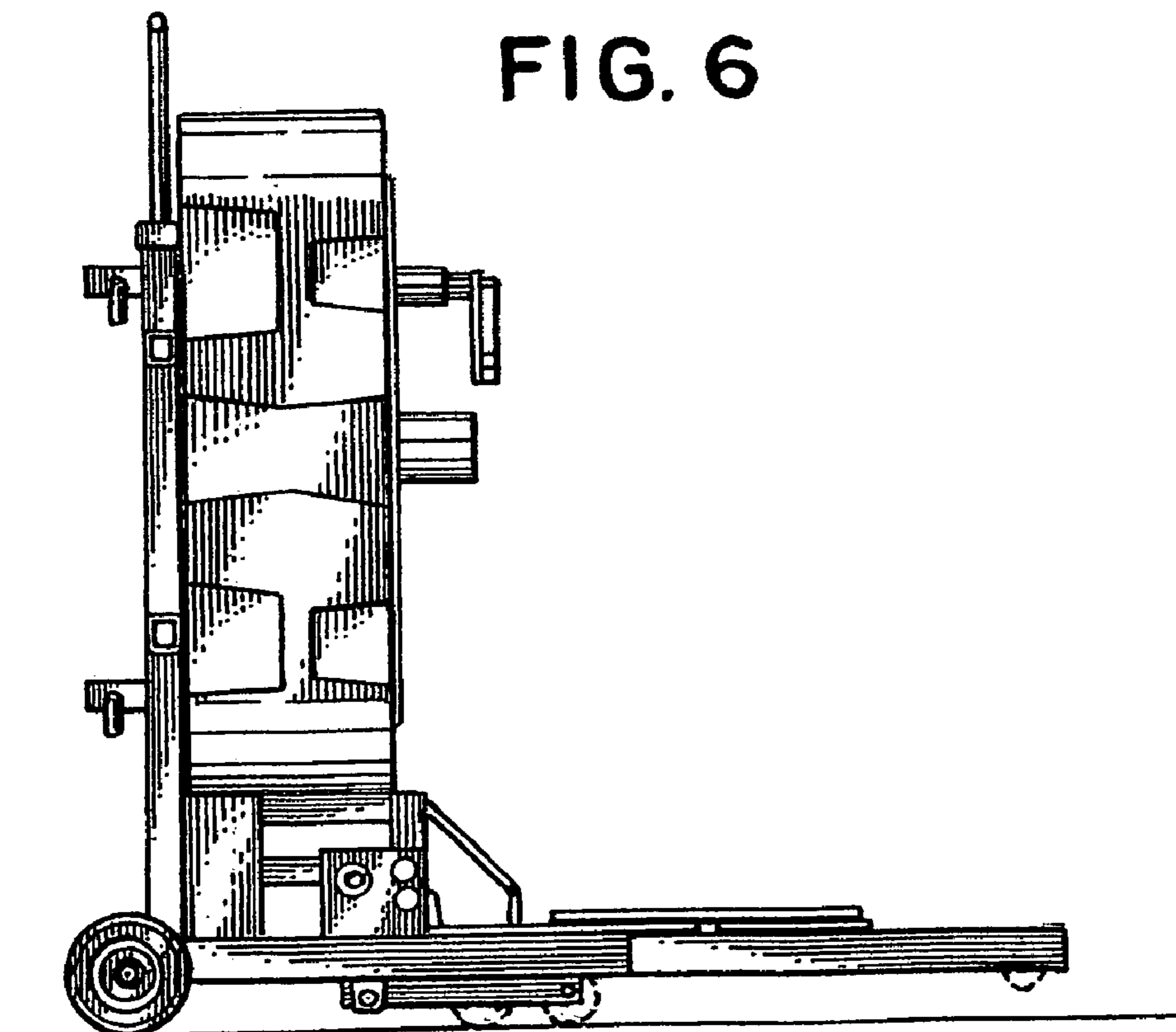


FIG. 7

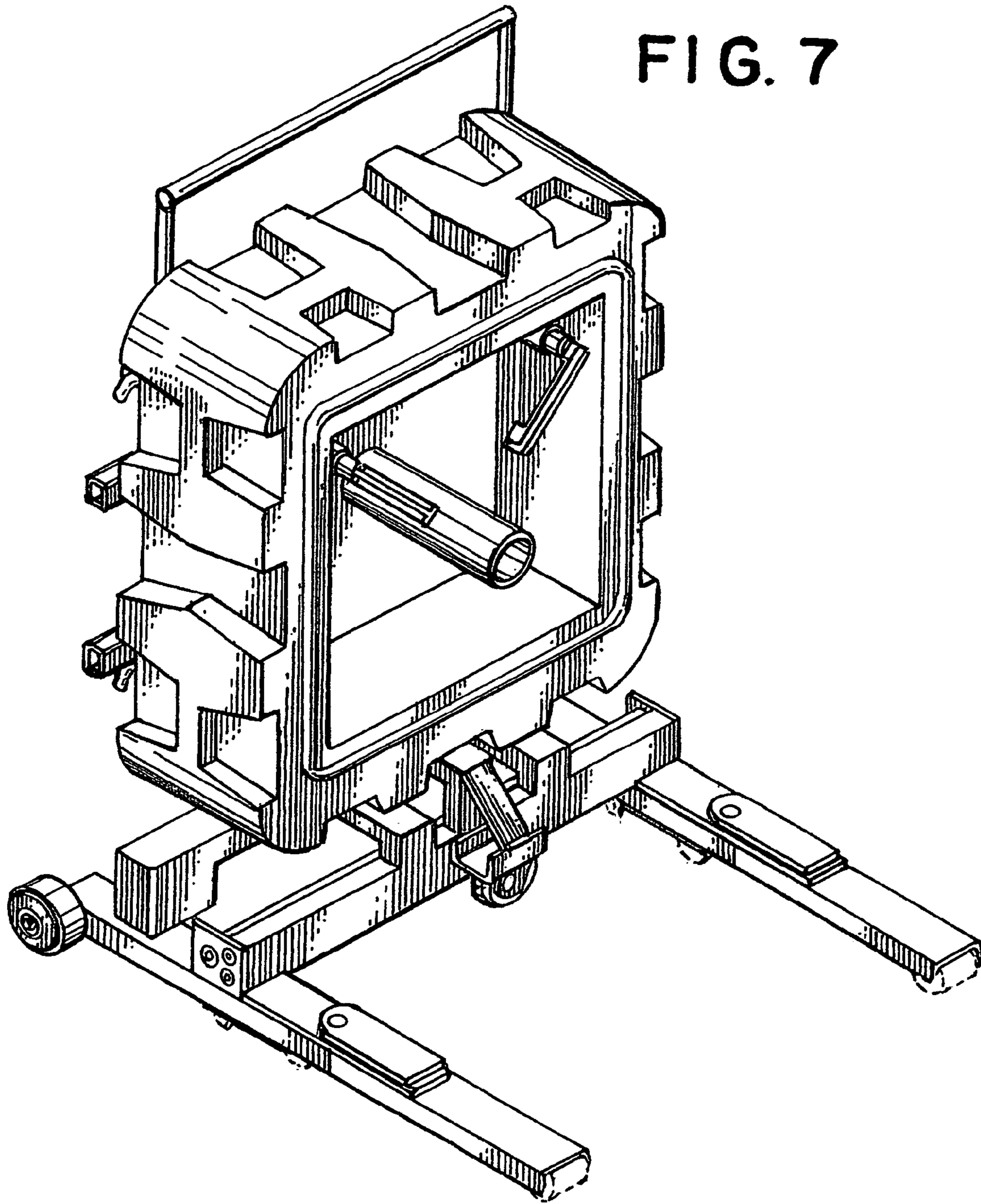


FIG. 8

