

US00D598938S

(12) **United States Design Patent**  
**Mijno**

(10) **Patent No.:** **US D598,938 S**

(45) **Date of Patent:** **\*\* Aug. 25, 2009**

(54) **PLANETARY REDUCTION GEAR**  
(75) Inventor: **Francois Mijno**, La Fouillouse (FR)  
(73) Assignee: **Mijno Precision Gearing** (FR)  
(\*\*) Term: **14 Years**

D497,374 S \* 10/2004 Wittenstein ..... D15/148  
D514,607 S \* 2/2006 Wittenstein ..... D15/148  
D529,059 S \* 9/2006 Lin ..... D15/148  
D529,939 S \* 10/2006 Wilhelm et al. .... D15/148  
7,182,709 B2 \* 2/2007 Christ et al. .... 475/348  
D549,259 S \* 8/2007 Wittenstein ..... D15/149  
2004/0166986 A1 \* 8/2004 Bayer et al. .... 475/331  
2007/0078037 A1 \* 4/2007 Chang ..... 475/331

(21) Appl. No.: **29/302,909**

\* cited by examiner

(22) Filed: **Jan. 28, 2008**

*Primary Examiner*—Sandra Snapp  
*Assistant Examiner*—Patricia Palasik

(30) **Foreign Application Priority Data**

(74) *Attorney, Agent, or Firm*—Cantor Colburn LLP

Jul. 27, 2007 (EM) ..... 000765912-0001

(57) **CLAIM**

(51) **LOC (9) Cl.** ..... **15-09**  
(52) **U.S. Cl.** ..... **D15/148**  
(58) **Field of Classification Search** ..... D15/148,  
D15/149; 74/464; 395/395, 395.411, 464,  
395/640; 427/249.19; 428/408; 475/83,  
475/331, 344, 901

We claim, the ornamental design for a planetary reduction gear, as shown and described.

See application file for complete search history.

**DESCRIPTION**

(56) **References Cited**

FIG. 1 is a perspective view of a planetary reduction gear, showing my new design;

**U.S. PATENT DOCUMENTS**

5,593,360 A \* 1/1997 Ishida et al. .... 475/331  
D406,596 S \* 3/1999 Ziegler et al. .... D15/148  
6,432,022 B1 \* 8/2002 Bayer ..... 475/331  
D479,541 S \* 9/2003 Lannoch ..... D15/148

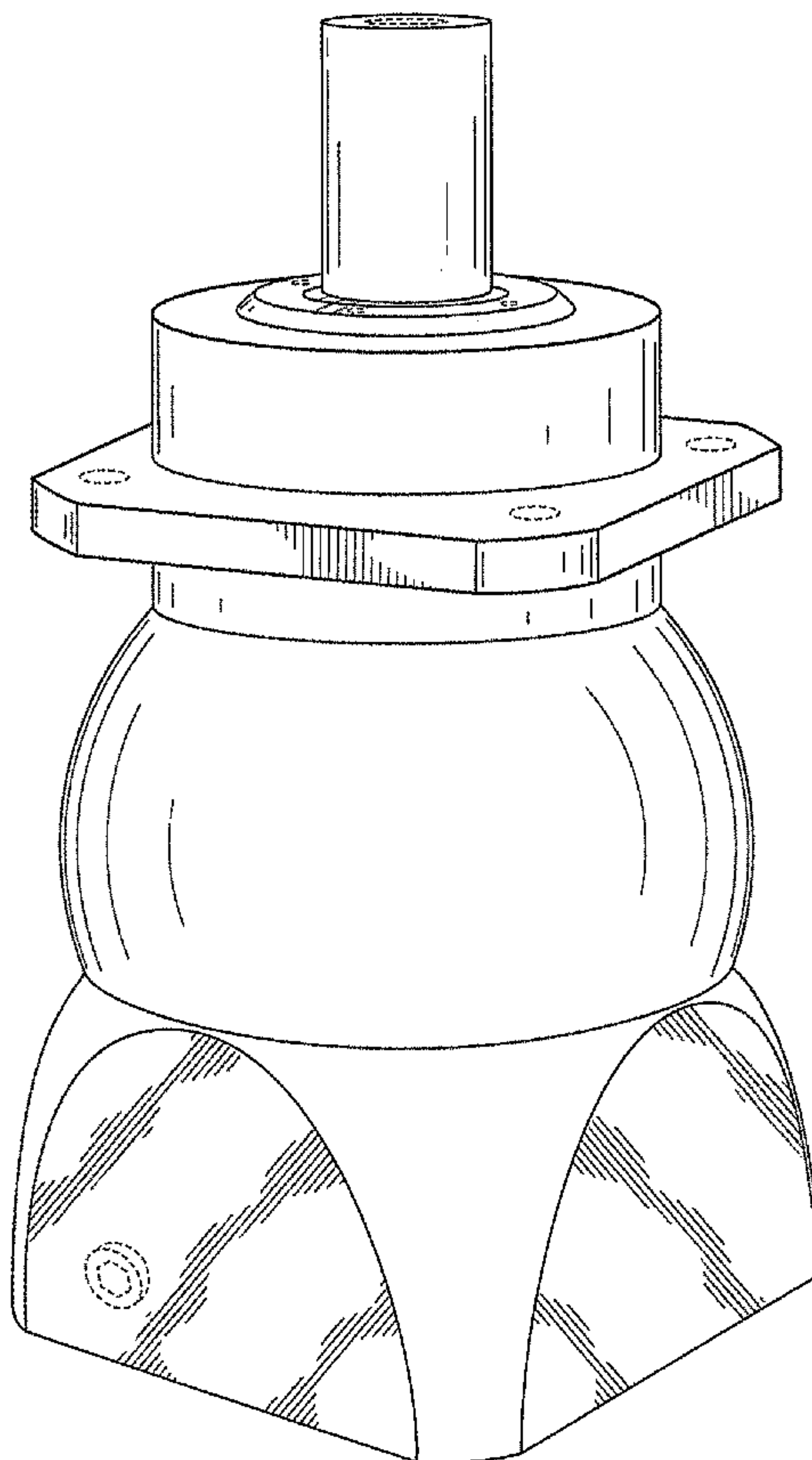
FIG. 2 is a front elevation view thereof;

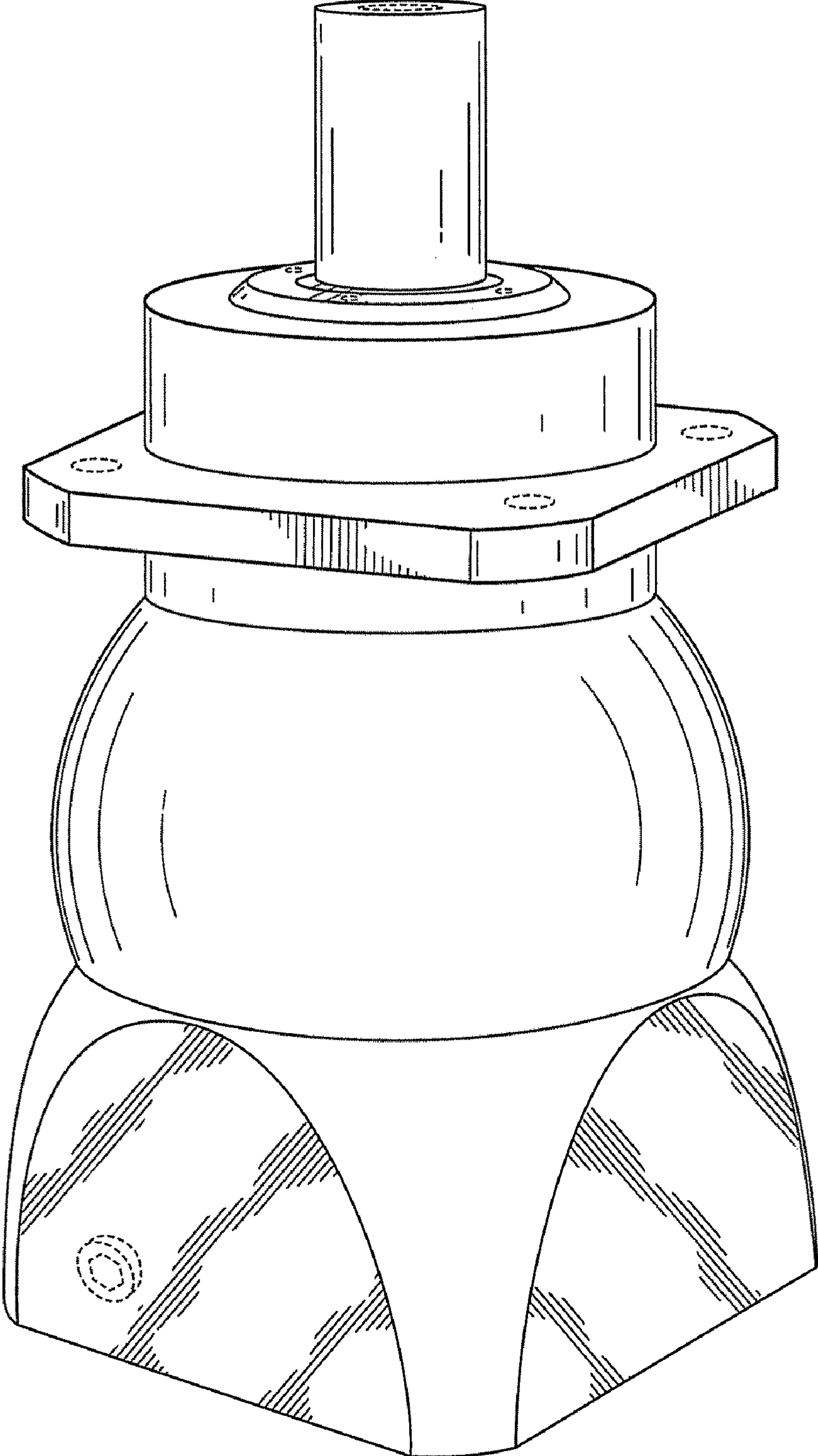
FIG. 3 is a bottom plan view thereof; and,

FIG. 4 is a top plan view thereof.

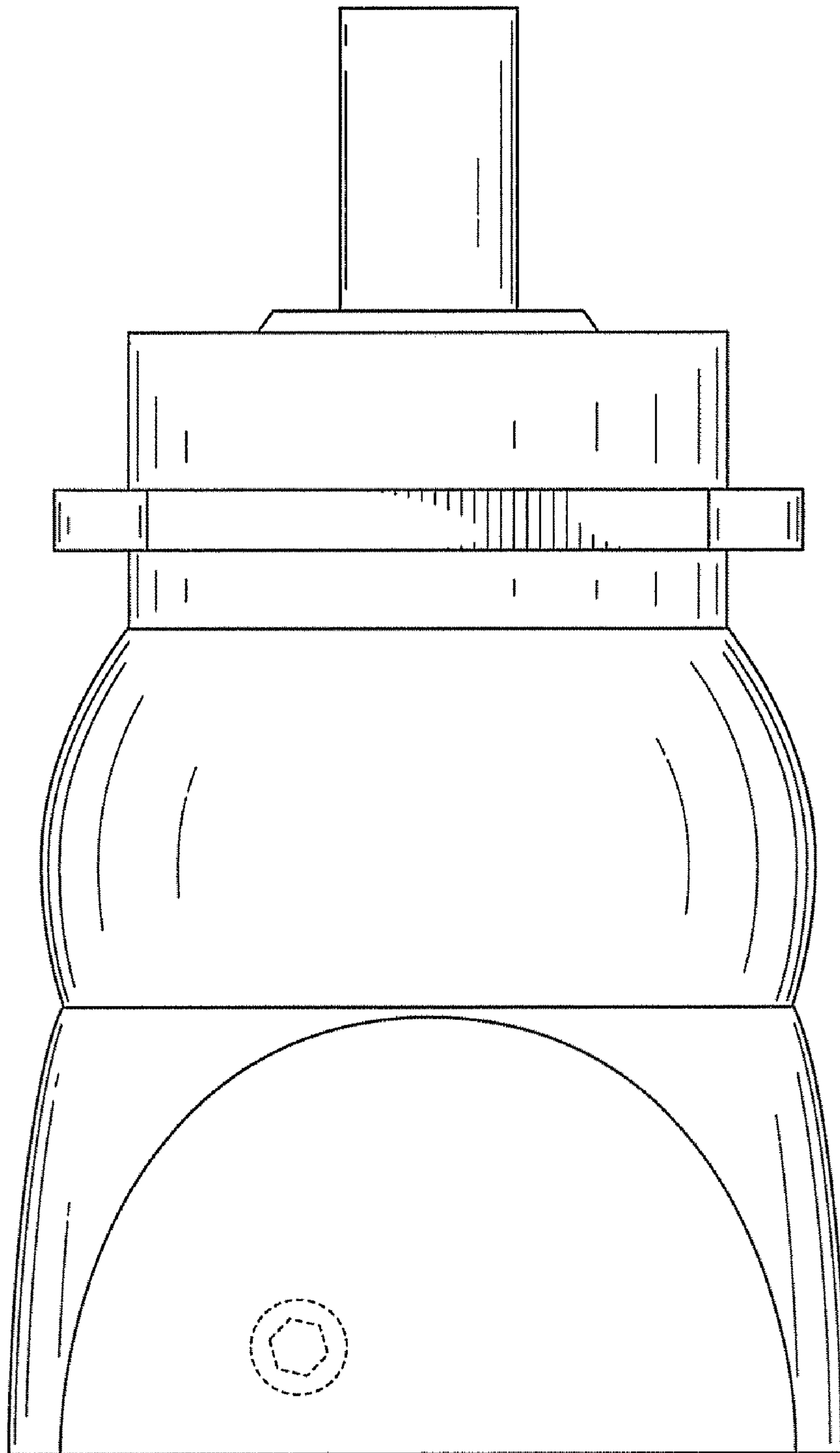
The broken lines in the drawings depict unclaimed environmental subject matter.

**1 Claim, 4 Drawing Sheets**

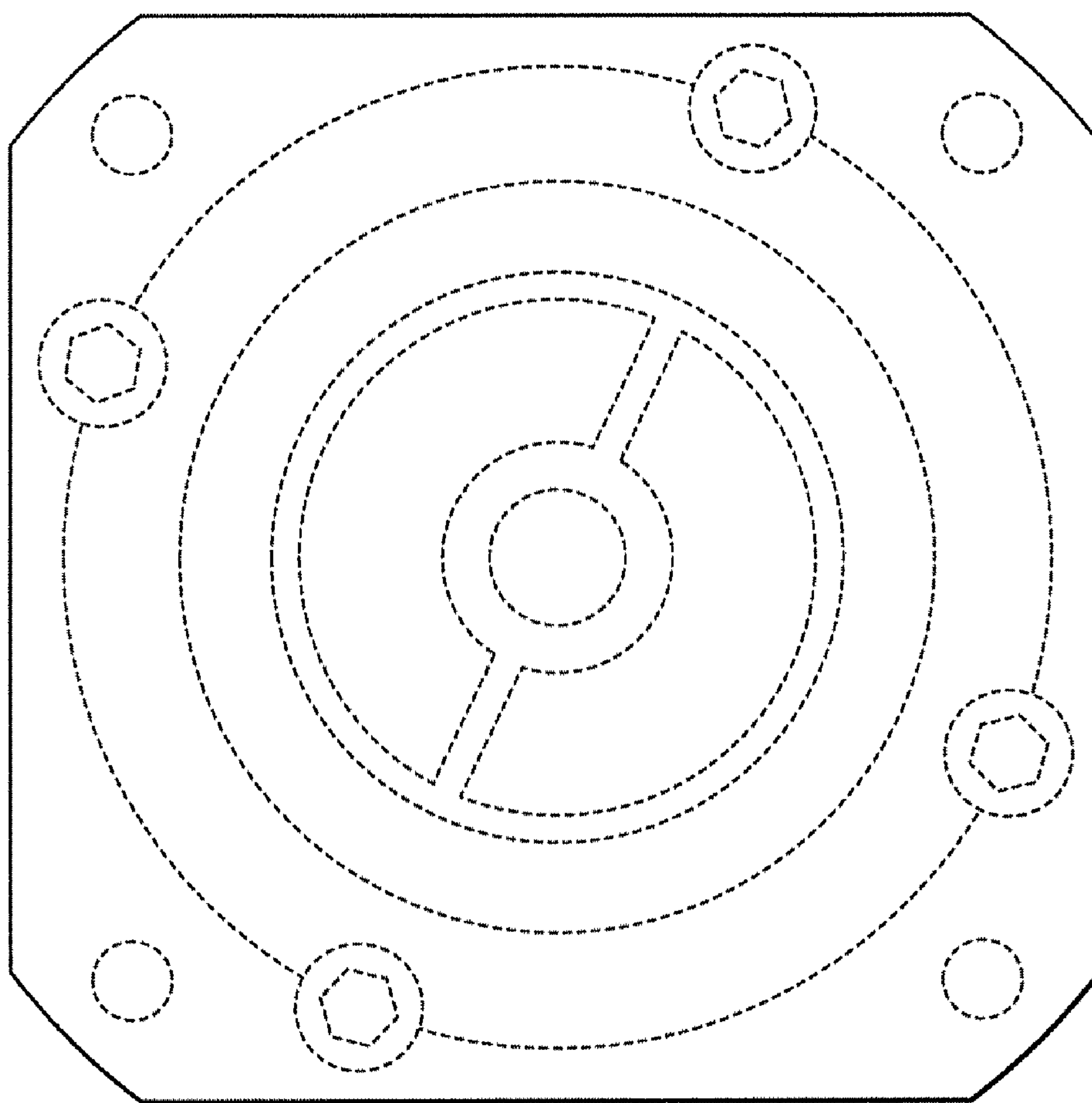




**FIG. 1**



**FIG. 2**



**FIG. 3**



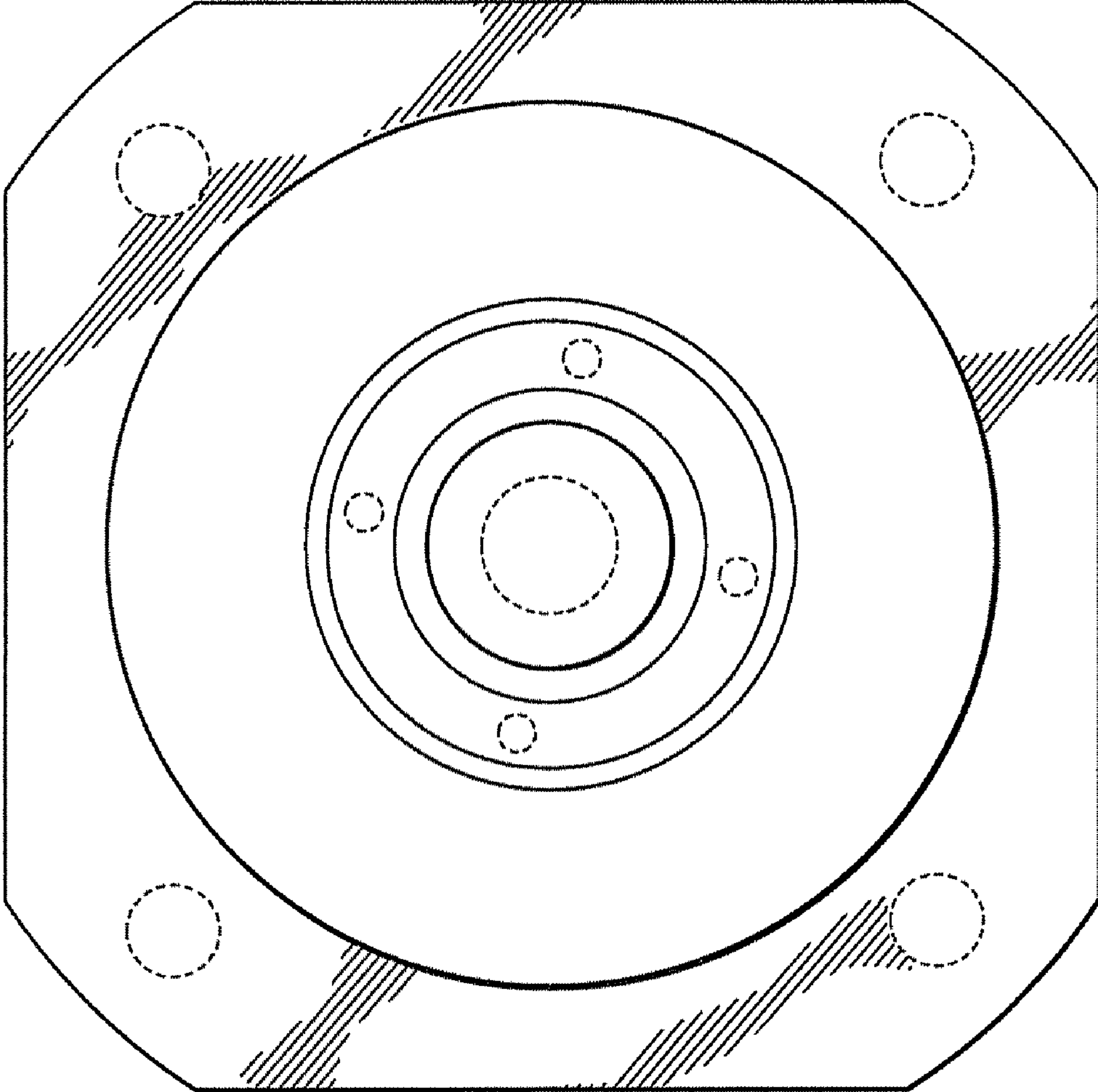


FIG. 4