

US00D598936S

(12) **United States Design Patent**
Hall et al.

(10) **Patent No.:** **US D598,936 S**
(45) **Date of Patent:** **** Aug. 25, 2009**

(54) **PRECISION HOE OPENER**

(75) Inventors: **Kevin Norman Hall**, Saskatoon (CA);
Nicholas George Alfred Ryder,
Saskatoon (CA); **Gerard James**
Gadzella, Saskatoon (CA); **George**
Neufeld, Saskatoon (CA)

(73) Assignee: **CNH Canada, Ltd.** (CA)

(**) Term: **14 Years**

(21) Appl. No.: **29/329,483**

(22) Filed: **Dec. 16, 2008**

(51) **LOC (9) Cl.** **15-03**

(52) **U.S. Cl.** **D15/11; D15/27; D15/28**

(58) **Field of Classification Search** D15/11,
D15/27, 28; 172/328, 413, 176, 464, 500,
172/501, 677-680, 264, 748; 111/149, 150,
111/190, 194, 187, 924, 123, 52-57, 136,
111/151, 156, 8, 153, 200

See application file for complete search history.

(56) **References Cited**

U.S. PATENT DOCUMENTS

2,818,269	A	12/1957	Northcote et al.	
D245,606	S *	8/1977	Williams	D15/28
4,326,594	A	4/1982	Oka et al.	
D269,182	S *	5/1983	Whalen et al.	D15/27
D284,476	S *	7/1986	Boschen et al.	D15/28
4,694,759	A	9/1987	Dreyer et al.	
4,721,048	A	1/1988	Fuss et al.	
4,759,301	A	7/1988	Thomas	
5,396,851	A *	3/1995	Beaujot	111/187
5,562,054	A *	10/1996	Ryan	111/134
5,724,902	A *	3/1998	Janelle et al.	111/164
5,809,915	A *	9/1998	Jess et al.	111/69
5,855,245	A	1/1999	Gerein	
6,032,593	A	3/2000	Wendling et al.	
6,325,156	B1 *	12/2001	Barry	172/518

6,986,313	B2 *	1/2006	Halford et al.	111/186
7,104,205	B2	9/2006	Beaujot	
7,152,539	B2	12/2006	Swanson	
7,159,523	B2 *	1/2007	Bourgault et al.	111/187
7,168,376	B2	1/2007	Johnston	
7,261,048	B1	8/2007	Hantke	
2005/0045080	A1 *	3/2005	Halford et al.	111/118
2006/0162632	A1 *	7/2006	Bourgault et al.	111/200
2007/0245938	A1	10/2007	Bourgault et al.	
2008/0029002	A1 *	2/2008	Sulman	111/89
2008/0308020	A1 *	12/2008	Ryder et al.	111/8
2008/0308021	A1 *	12/2008	Ryder et al.	111/8
2008/0308022	A1 *	12/2008	Ryder et al.	111/8
2008/0308023	A1 *	12/2008	Ryder et al.	111/8
2008/0308024	A1 *	12/2008	Lung et al.	111/149

* cited by examiner

Primary Examiner—Stella M Reid

Assistant Examiner—Mark A Goodwin

(74) *Attorney, Agent, or Firm*—Rebecca Henkel

(57) **CLAIM**

We claim the ornamental design for a precision hoe opener, as shown and described.

DESCRIPTION

FIG. 1 is an upper right, perspective view of the precision hoe opener showing our new design;

FIG. 2 is a front view thereof;

FIG. 3 is a rear view thereof;

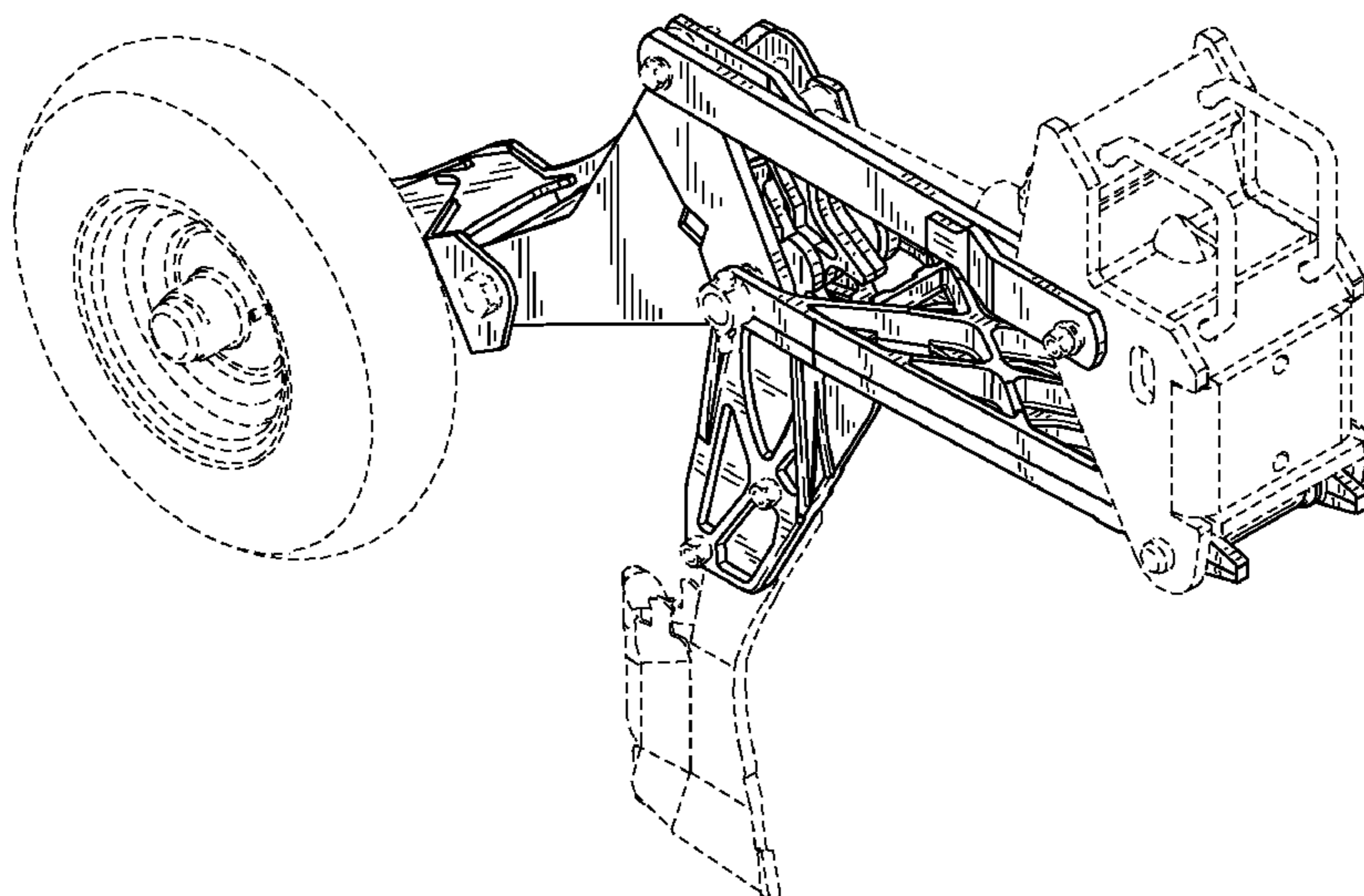
FIG. 4 is a right side view thereof;

FIG. 5 is a left side view thereof; and,

FIG. 6 is a top view thereof.

The broken line showing of the wheel, blade, and mounting bracket is included for the purpose of illustrating portions of the precision hoe opener and forms no part of the claimed design.

1 Claim, 6 Drawing Sheets



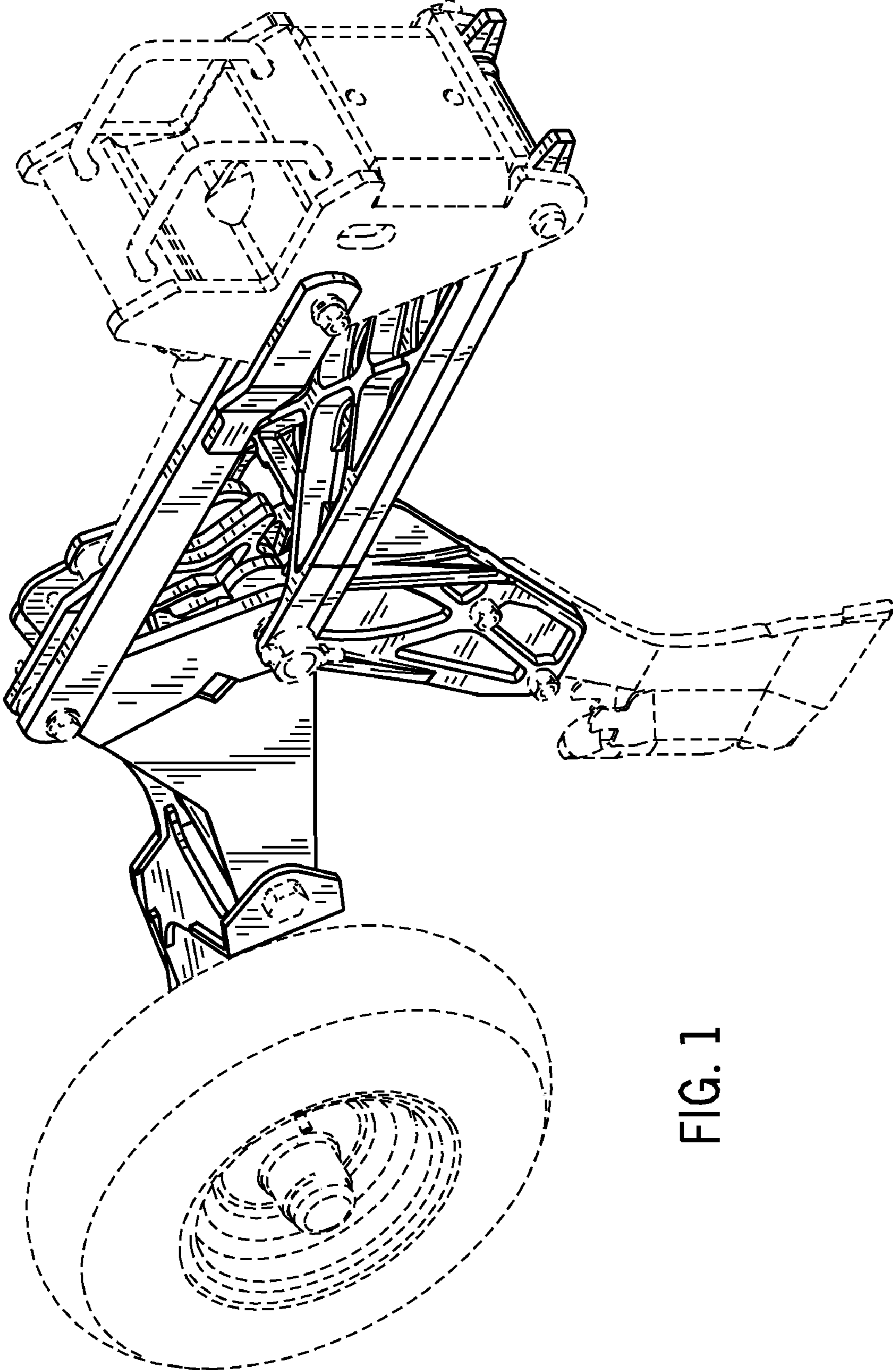


FIG. 1

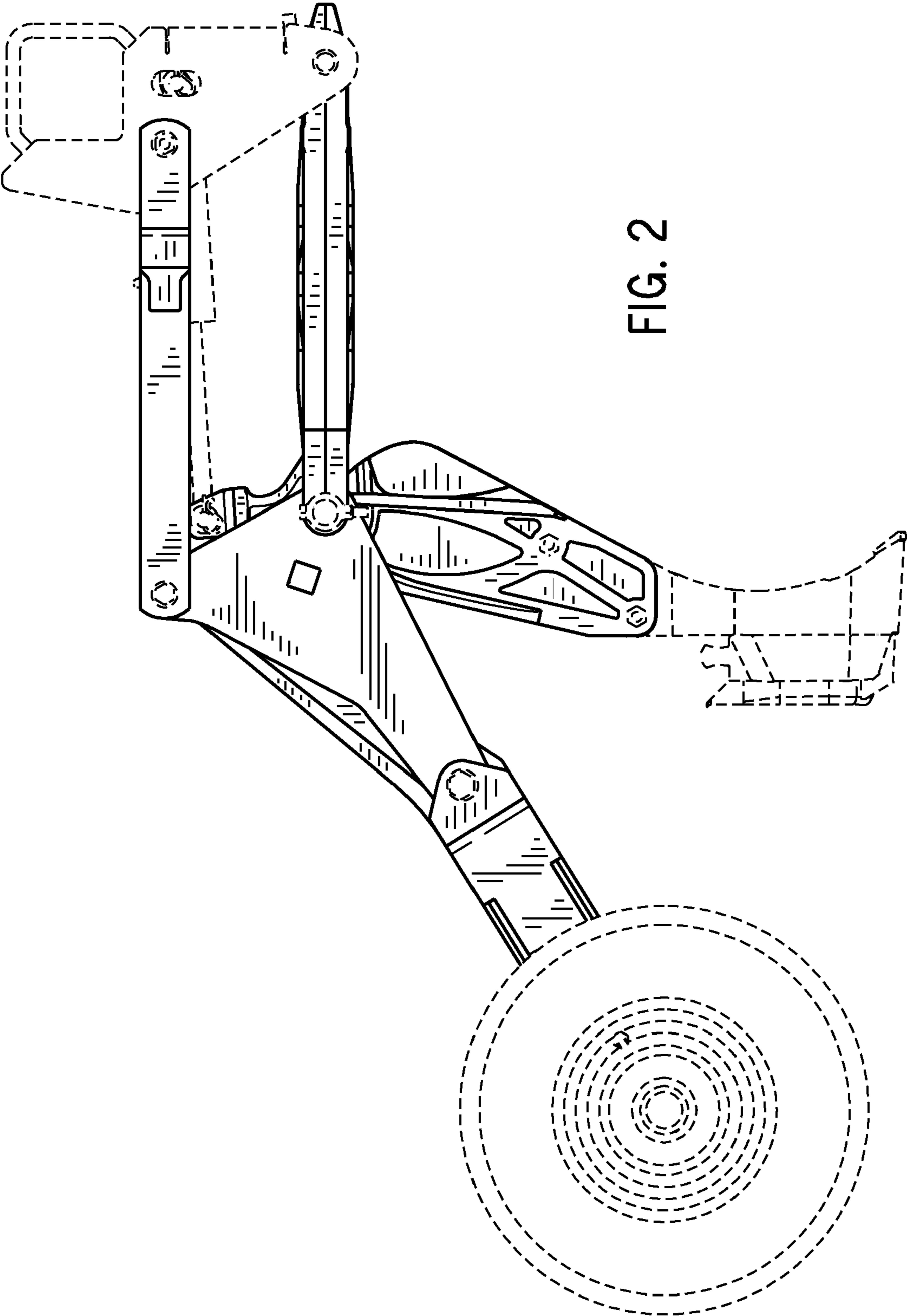


FIG. 2

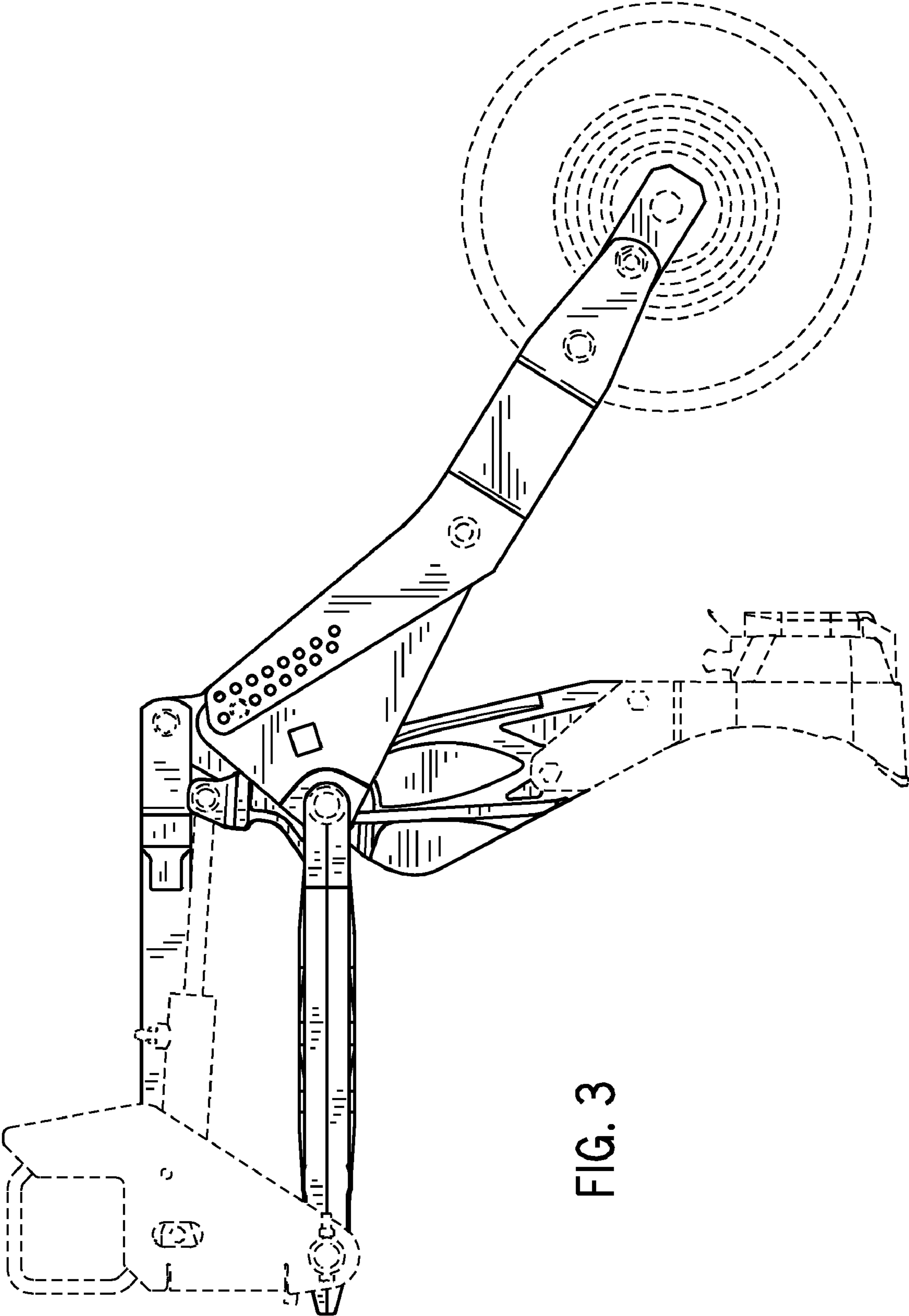


FIG. 3

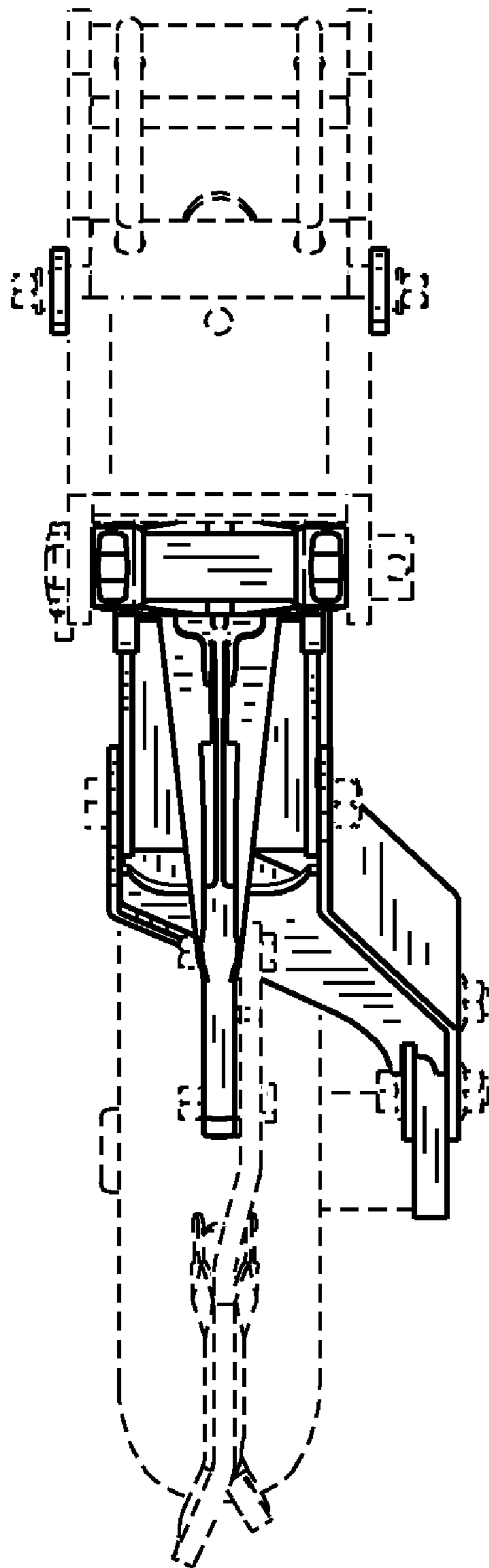


FIG. 4

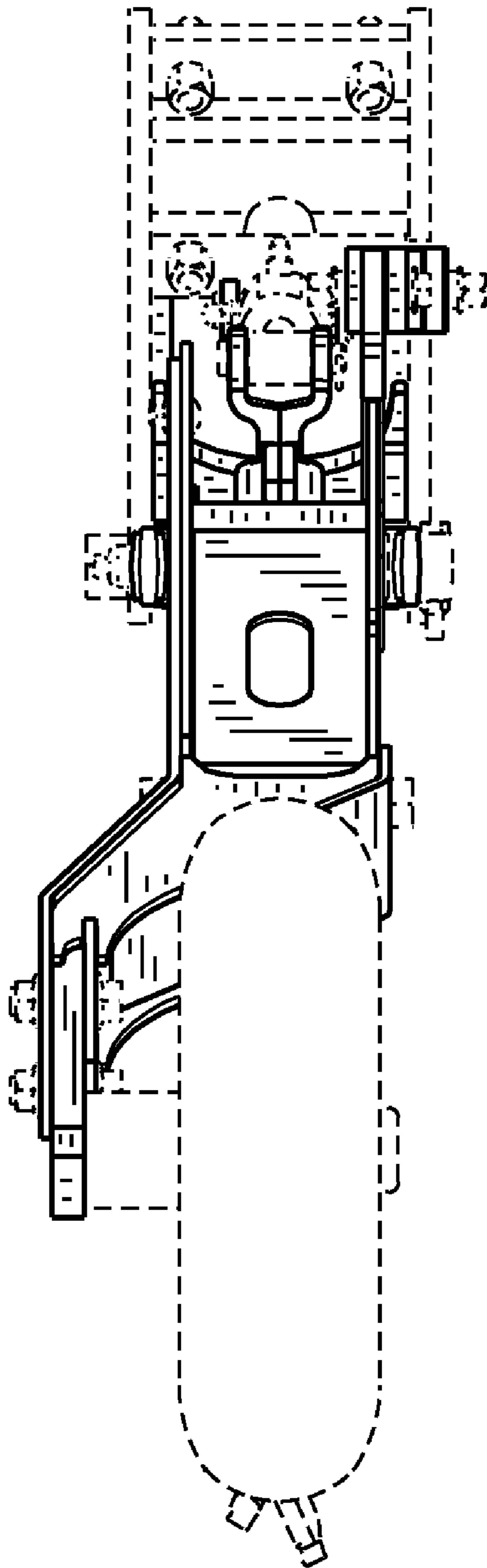


FIG. 5

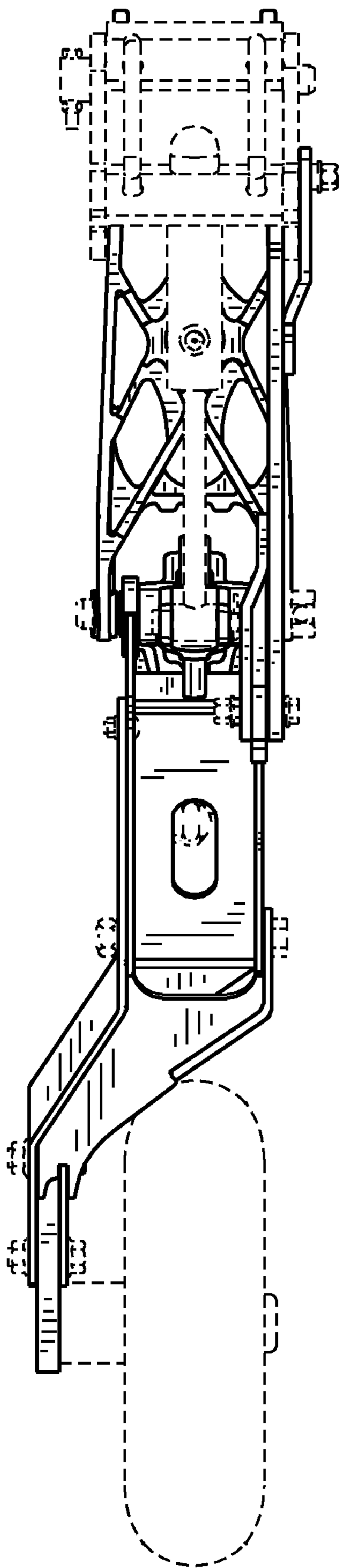


FIG. 6