



US00D598932S

(12) **United States Design Patent**
Ryu et al.

(10) **Patent No.:** **US D598,932 S**
(45) **Date of Patent:** **** Aug. 25, 2009**

(54) **AUDIO**

(75) Inventors: **Dai Hyung Ryu**, Gyeonggi-do (KR);
Kyoung Joung Kim, Seoul (KR); **He**
Won Kihl, Seoul (KR)

(73) Assignee: **LG Electronics Inc.**, Seoul (KR)

(**) Term: **14 Years**

(21) Appl. No.: **29/309,125**

(22) Filed: **Jun. 25, 2008**

(30) **Foreign Application Priority Data**

Jan. 25, 2008 (KR) 30-2008-0003807

(51) **LOC (9) Cl.** **14-03**

(52) **U.S. Cl.** **D14/496; D14/203.3**

(58) **Field of Classification Search** D14/496,
D14/401, 435, 474, 483, 217, 137, 138, 160,
D14/168, 356, 203.1-203.8, 507; 345/156,
345/169, 173-179, 905; 715/727-729, 864;
710/1, 5, 8; 713/1, 600; 455/1.1, 1.7, 73,
455/344-347, 93, 95, 3.01-3.06, 550.1, 573.1;
370/342-344; 369/1, 2, 6-12; 463/43-47;
273/148 B

See application file for complete search history.

(56) **References Cited**

U.S. PATENT DOCUMENTS

6,591,085 B1 * 7/2003 Grady 455/42
6,896,547 B2 * 5/2005 Caveney 439/535
D513,266 S * 12/2005 Shimizu D14/203.3

D550,707 S * 9/2007 Ichimura D14/496
7,283,880 B2 * 10/2007 Dick 700/94
D567,818 S * 4/2008 Zhang D14/496
D574,851 S * 8/2008 Chen D14/496
D576,637 S * 9/2008 Gofman et al. D14/496
D578,546 S * 10/2008 Fullerton D14/496
D579,953 S * 11/2008 Chen D14/496
D579,954 S * 11/2008 Gofman et al. D14/496
D582,394 S * 12/2008 Hong et al. D14/216
D585,078 S * 1/2009 Walton D14/496

* cited by examiner

Primary Examiner—Prabhakar Deshmukh

(74) *Attorney, Agent, or Firm*—Morgan Lewis & Bockius
LLP

(57) **CLAIM**

The ornamental design for an audio, as shown and described.

DESCRIPTION

FIG. 1 is a top, front perspective view of the Audio showing
my new design;

FIG. 2 is a front view thereof;

FIG. 3 is a rear view thereof;

FIG. 4 is a left side view thereof;

FIG. 5 is a right side view thereof;

FIG. 6 is a top plan view thereof;

FIG. 7 is a bottom plan view thereof; and,

FIG. 8 is a perspective view thereof, with the article shown in
it's environmental use.

1 Claim, 7 Drawing Sheets

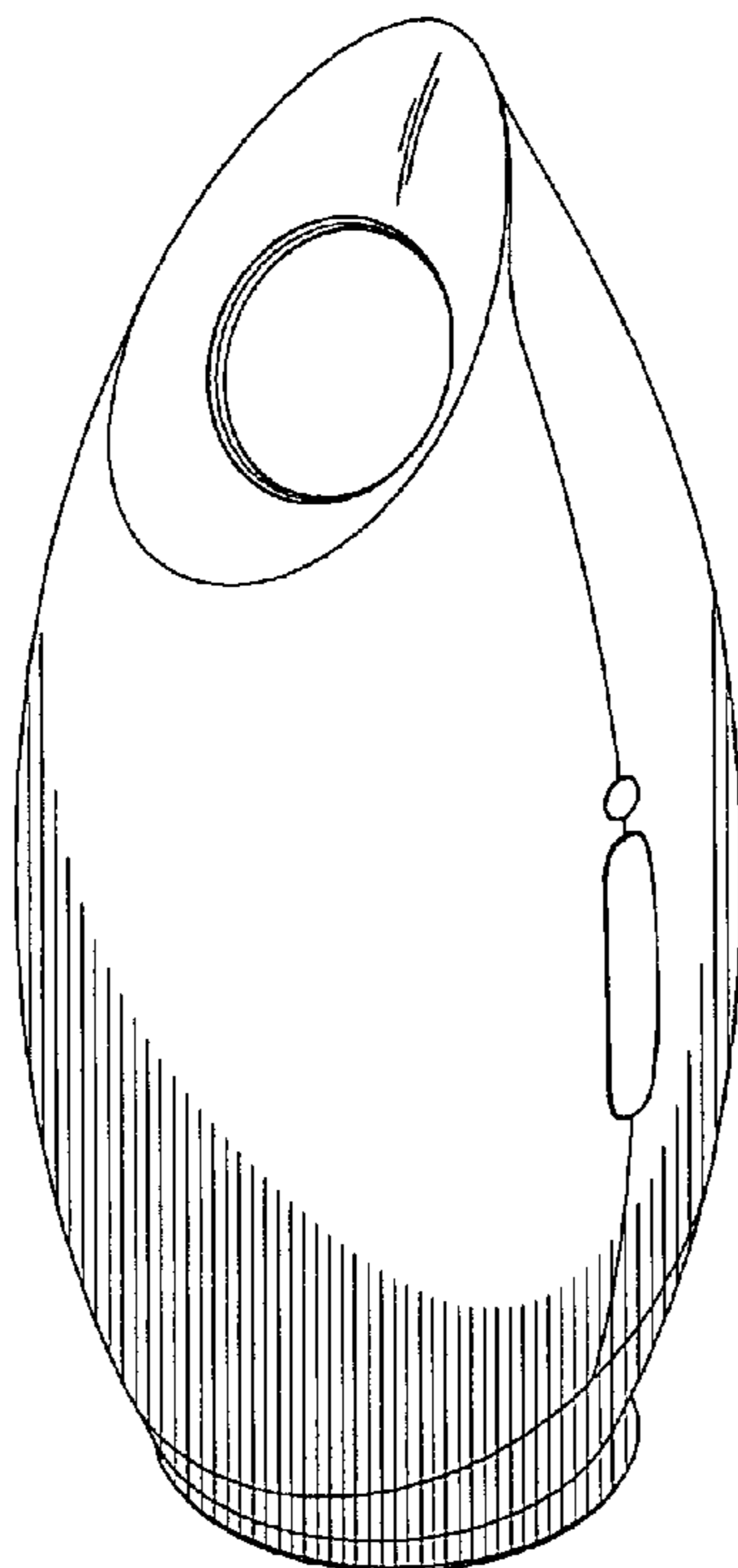


Fig. 1

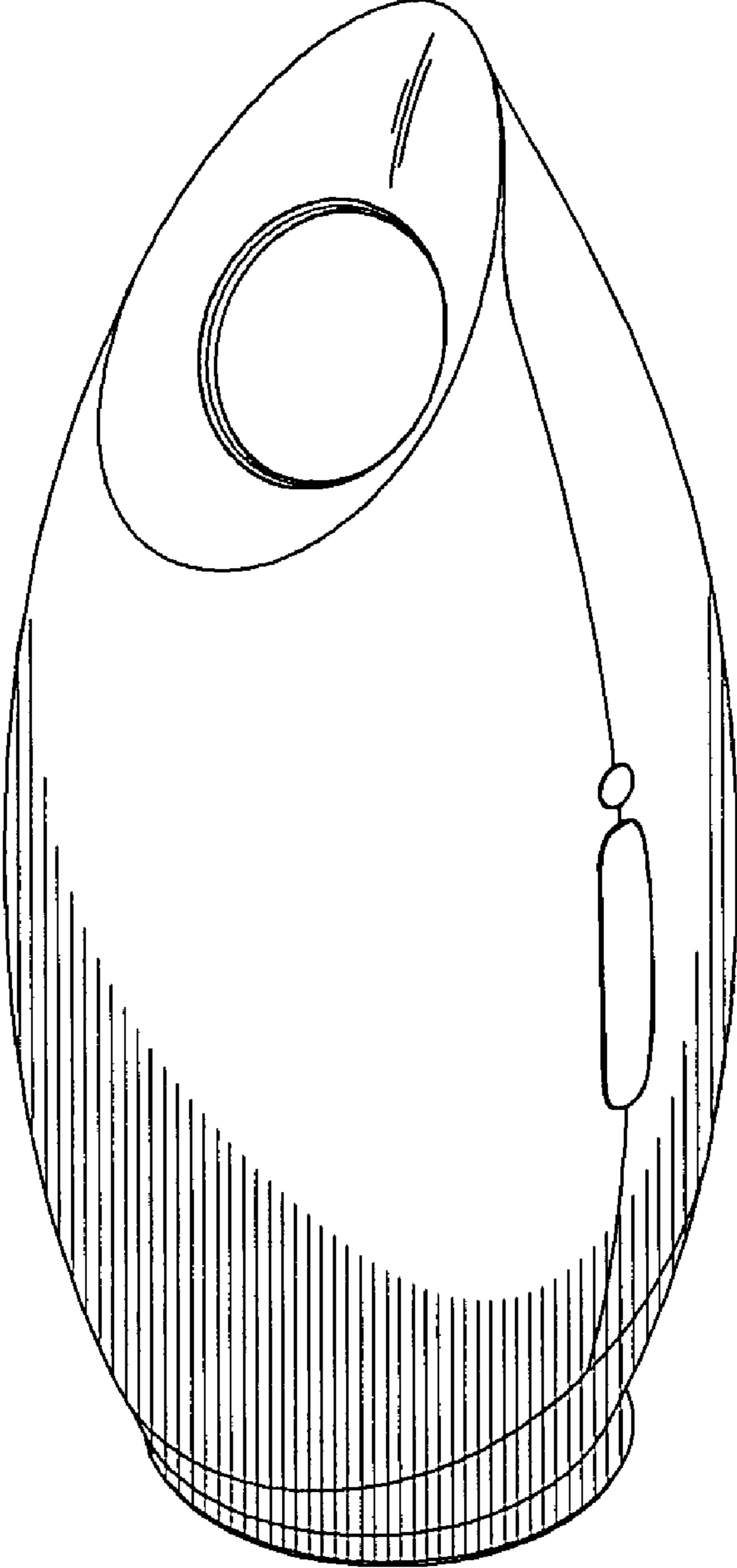


Fig. 2

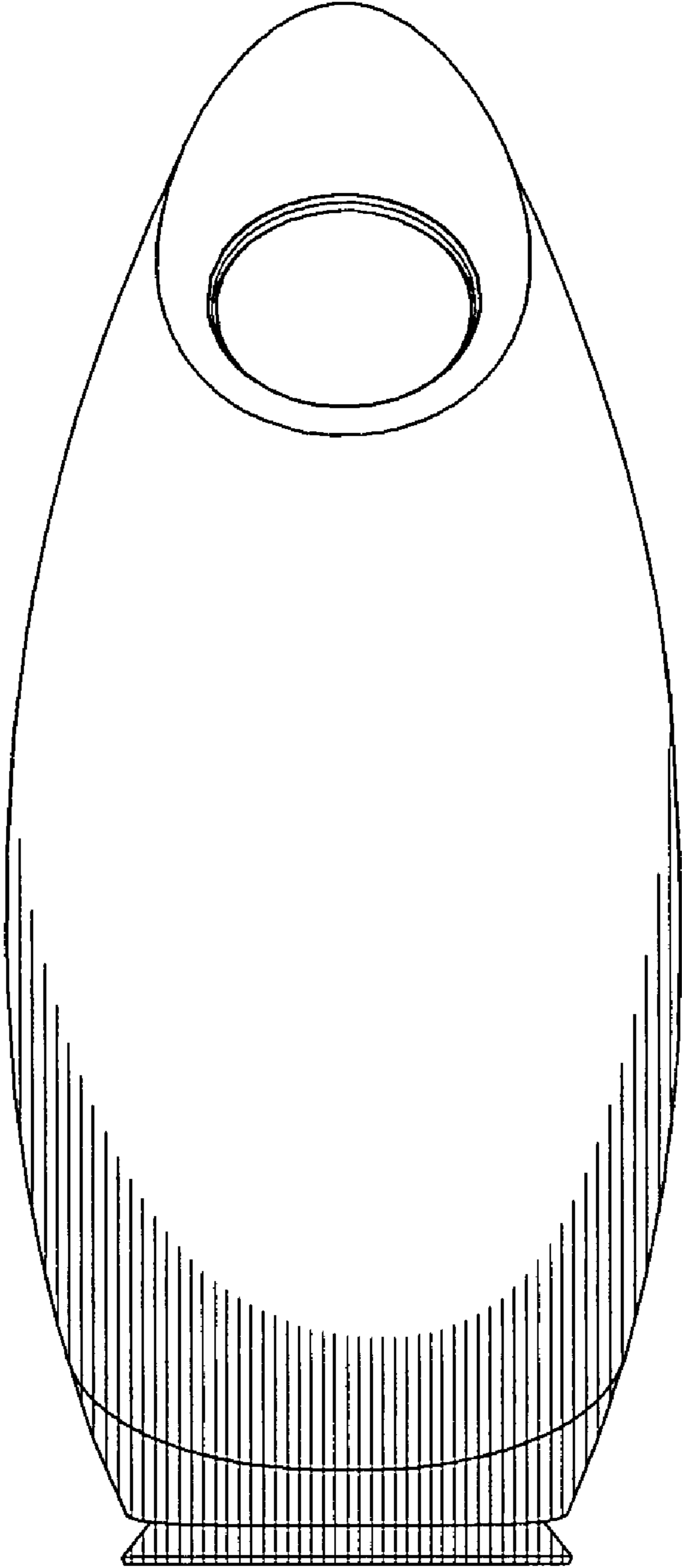


Fig. 3

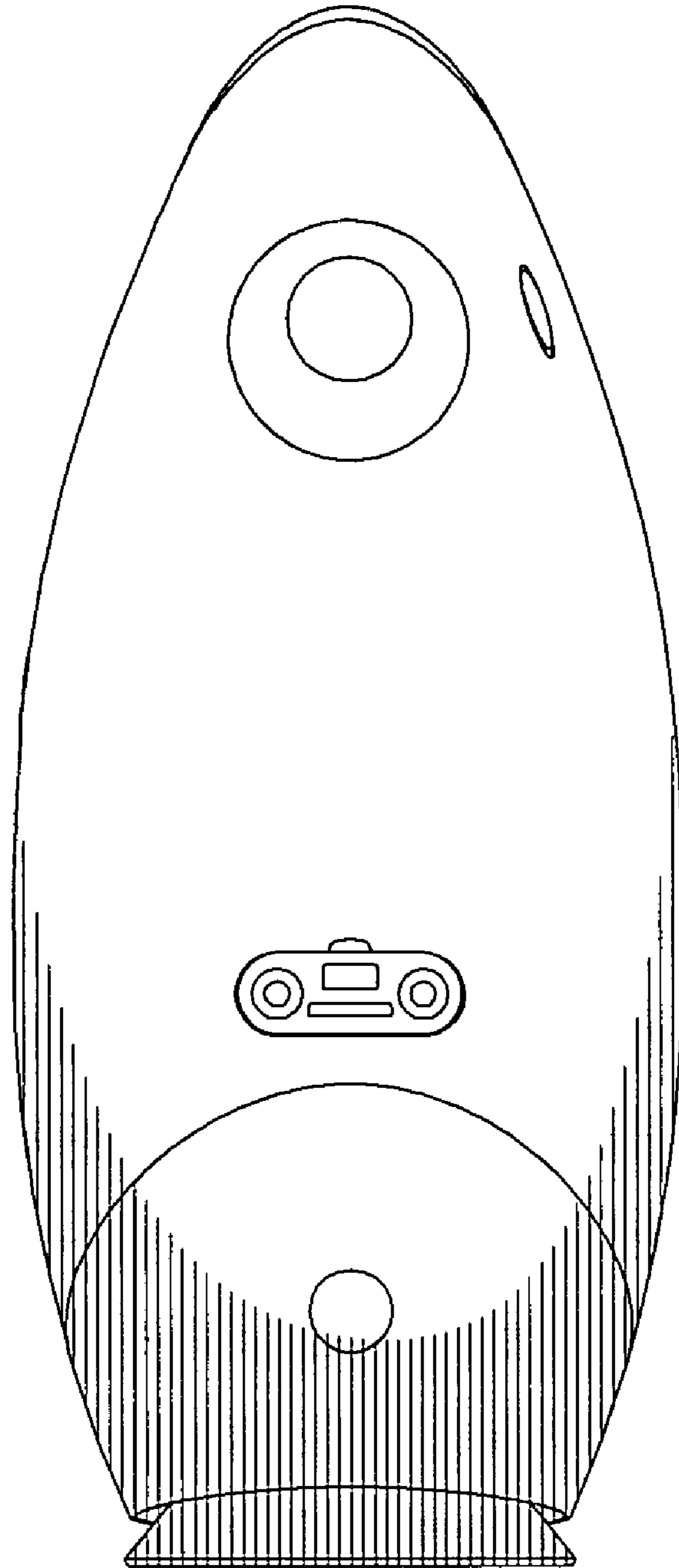


Fig. 4

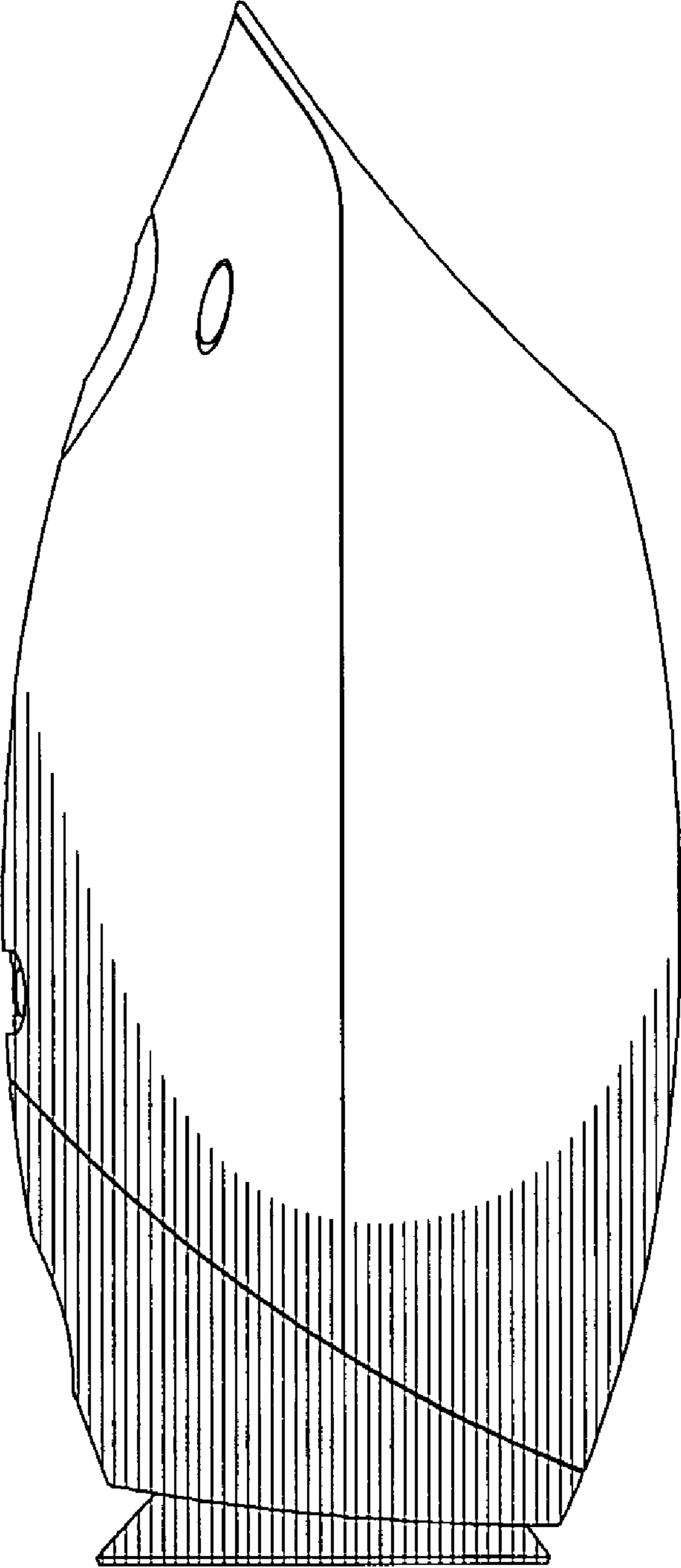


Fig. 5

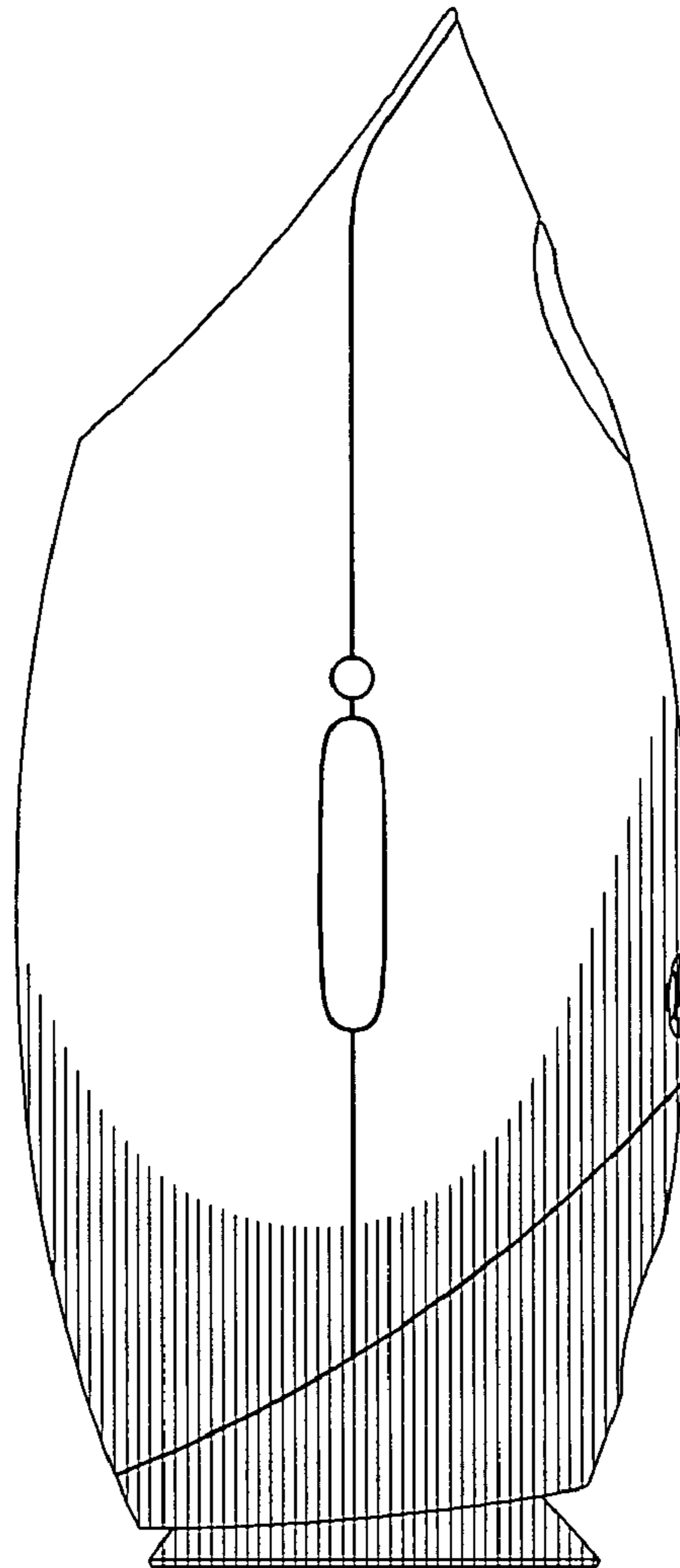


Fig. 6

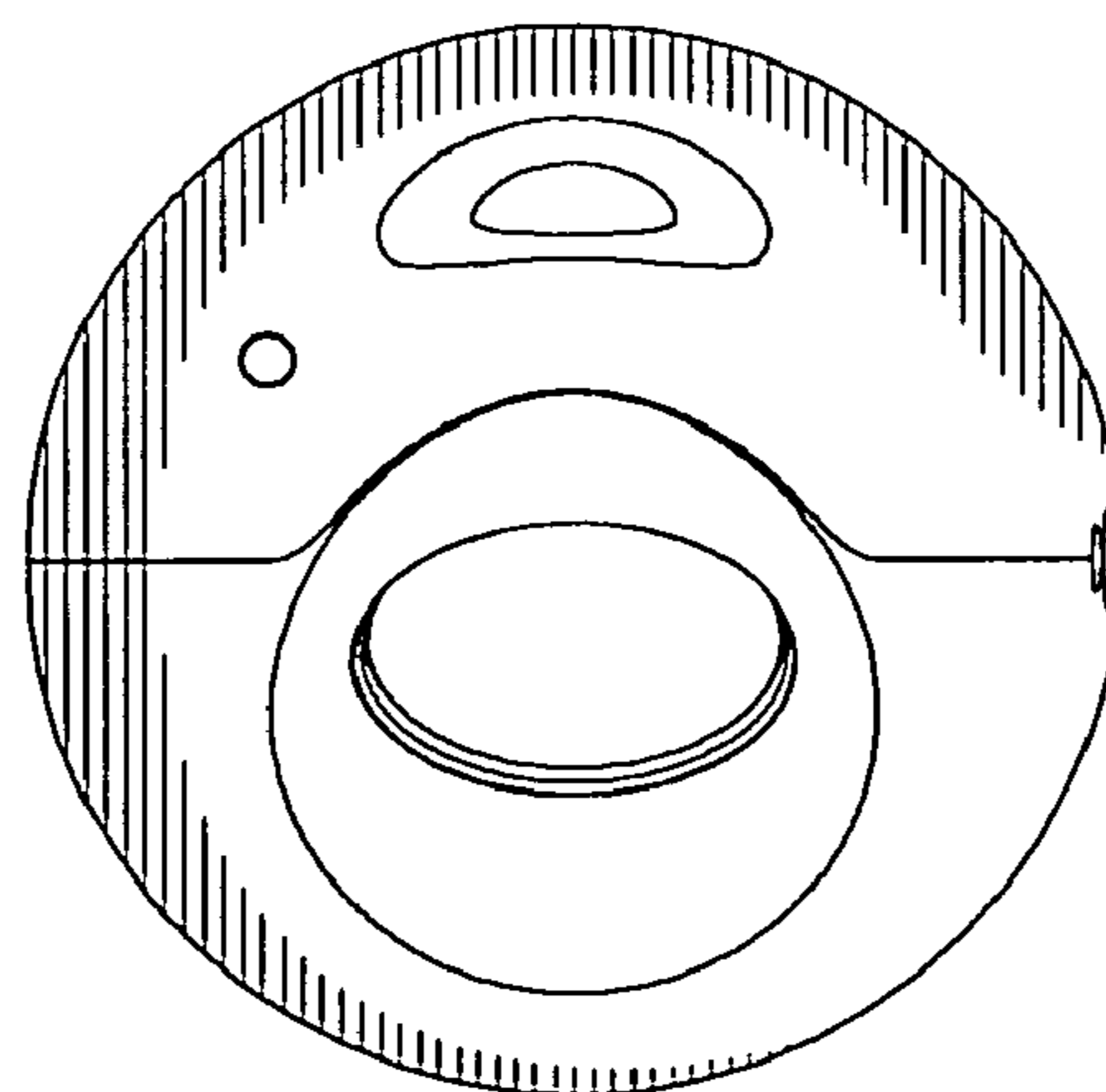


Fig. 7

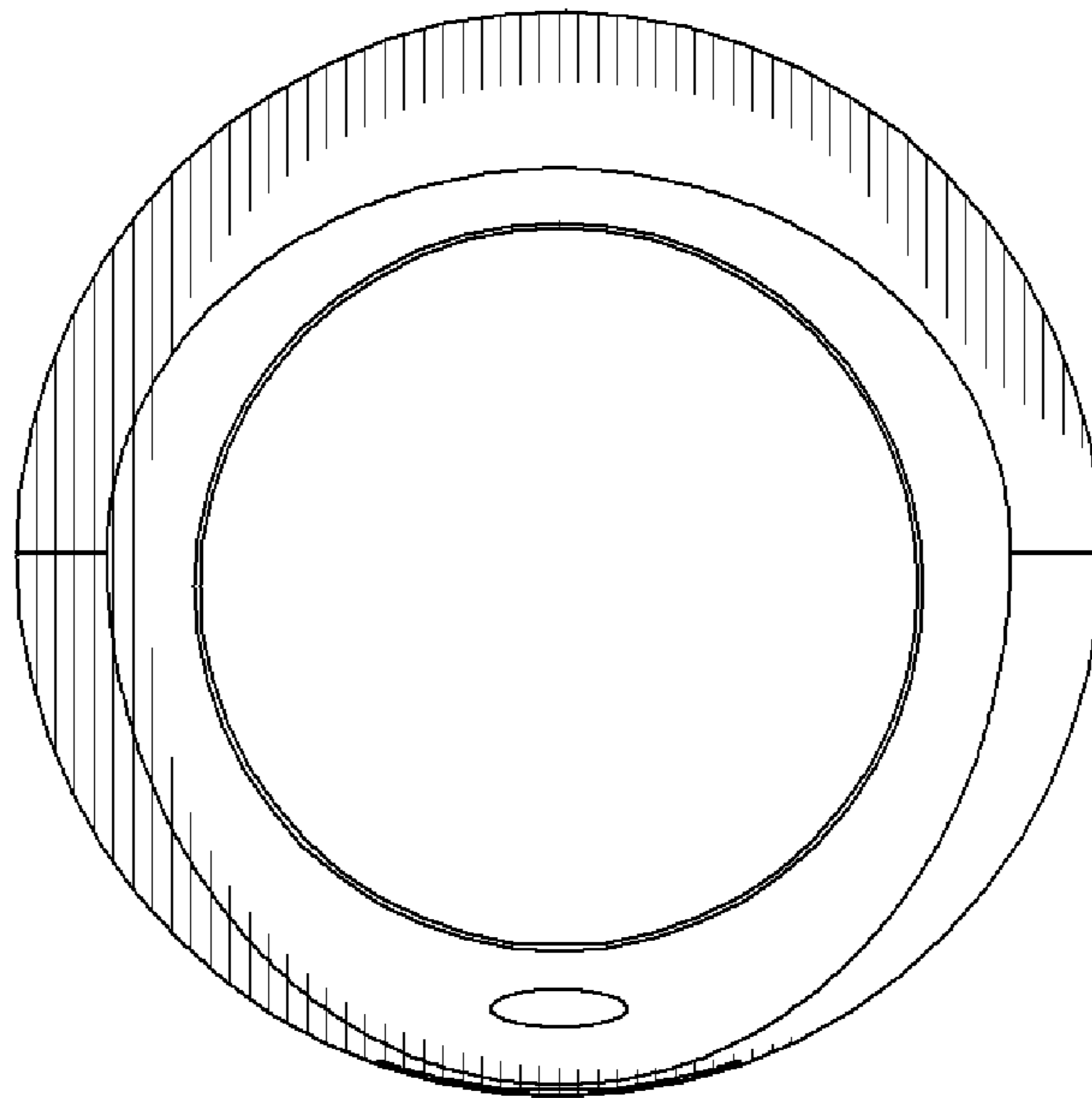


Fig. 8

