

US00D598928S

(12) **United States Design Patent**  
**Hirsch et al.**

(10) **Patent No.:** **US D598,928 S**  
(45) **Date of Patent:** **\*\* Aug. 25, 2009**

(54) **ANIMATED IMAGE FOR A PORTION OF A DISPLAY SCREEN**

D541,294 S \* 4/2007 Burkard et al. .... D14/492  
D544,871 S \* 6/2007 Lim et al. .... D14/485

(75) Inventors: **Evan Marc Hirsch**, Seattle, WA (US);  
**Noah Henry Kaarbo**, Seattle, WA (US);  
**Sarah Graham Williams**, Seattle, WA (US);  
**Martin Andrew Kline**, Studio City, CA (US);  
**Christopher Chad Syme**, Seattle, WA (US)

(Continued)

(73) Assignee: **Microsoft Corporation**, Redmond, WA (US)

**OTHER PUBLICATIONS**

(\*\*) Term: **14 Years**

Excerpt from Vista Data Catalog, Stop [online], [retrieved on Apr. 4, 2007]. Retrieved from the Internet <URL: <http://www.icons shock.com>>.\*

(21) Appl. No.: **29/328,648**

Excerpt from Future Multimedia Catalog, Stop [online], [retrieved on Apr. 4, 2007]. Retrieved from the Internet <URL: <http://www.icons shock.com>>.\*

(22) Filed: **Nov. 26, 2008**

Excerpt from Lumina Multimedia Catalog, Stop [online], [retrieved on Apr. 4, 2007]. Retrieved from the Internet <URL: <http://www.icons shock.com>>.\*

(Continued)

(51) **LOC (9) Cl.** ..... **32-00**

*Primary Examiner*—Cathron C Brooks

(52) **U.S. Cl.** ..... **D14/485**

*Assistant Examiner*—Karen E Kearney

(58) **Field of Classification Search** ..... D14/485–495;  
D18/26, 31–33; D20/11–12, 23–25, 29–32,  
D20/36–38; 715/700–867, 973–977

(74) *Attorney, Agent, or Firm*—Banner & Witcoff, Ltd.

See application file for complete search history.

(57) **CLAIM**

(56) **References Cited**

The ornamental design for an animated image for a portion of a display screen, as shown and described.

**U.S. PATENT DOCUMENTS**

**DESCRIPTION**

D34,205 S *	3/1901	Yale	.....	D20/30
D47,864 S *	9/1915	Shaw	.....	D20/23
D134,261 S *	11/1942	Teague	.....	D20/25
D170,617 S *	10/1953	Abrahams et al.	.....	D20/29
D397,332 S *	8/1998	Ryan	.....	D14/487
D398,001 S *	9/1998	Bohnert et al.	.....	D14/493
D398,299 S *	9/1998	Ballay et al.	.....	D14/488
D402,284 S *	12/1998	Coleman	.....	D14/487
D404,727 S *	1/1999	Hodges Wilsher et al.	.....	D14/491
5,963,203 A *	10/1999	Goldberg et al.	.....	715/723
D457,890 S *	5/2002	Chaudhri et al.	.....	D14/493
D482,368 S *	11/2003	den Toonder et al.	.....	D14/486
D494,186 S *	8/2004	Johnson	.....	D14/485
D497,367 S *	10/2004	Wasko et al.	.....	D14/489
D503,179 S *	3/2005	Kolawa et al.	.....	D14/489
D523,871 S *	6/2006	Hally et al.	.....	D14/487

FIG. 1 is a first image in the sequence for an animated image for a portion of a display screen showing our new design;

FIG. 2 is the second image thereof;

FIG. 3 is the third image thereof;

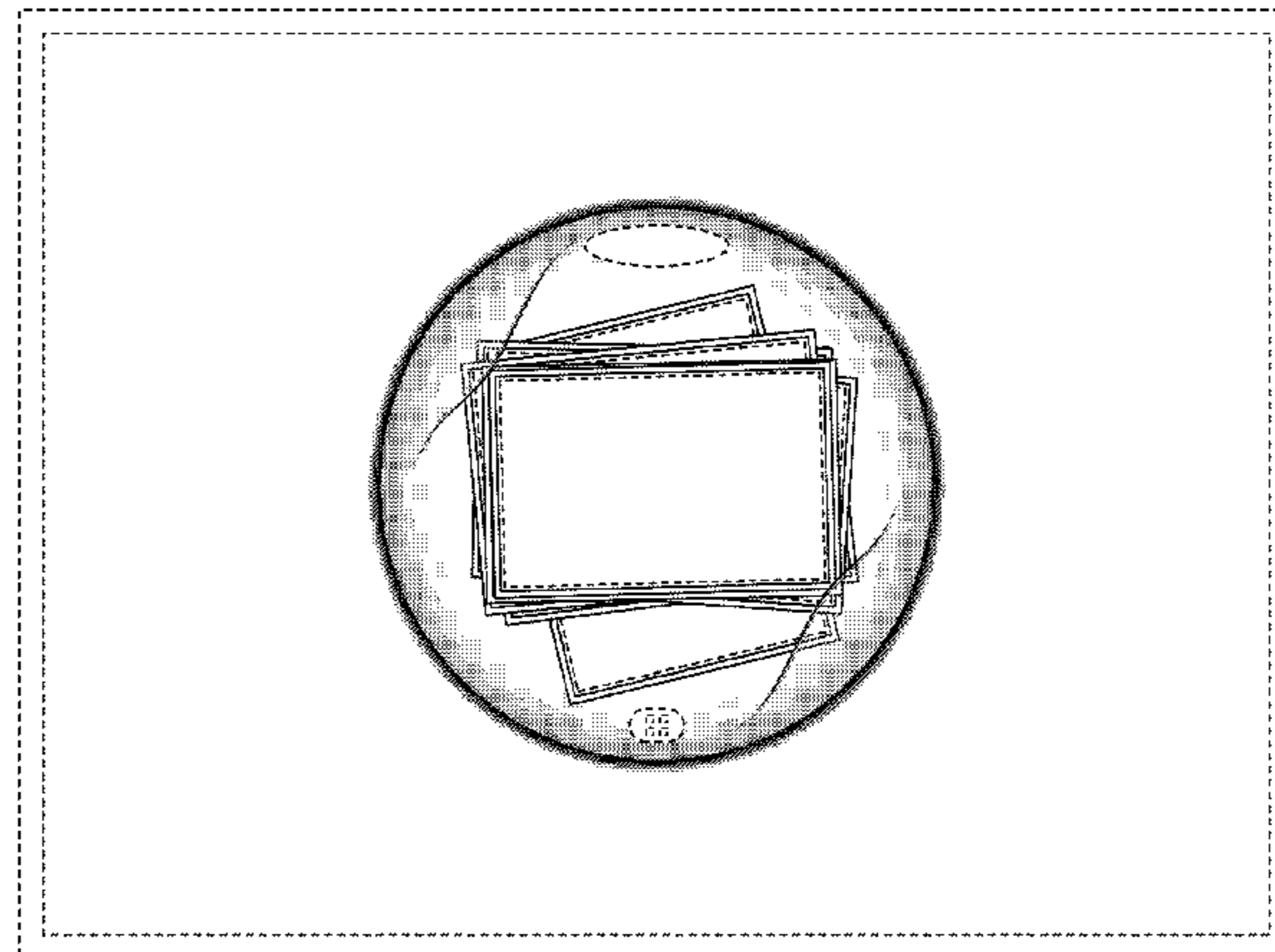
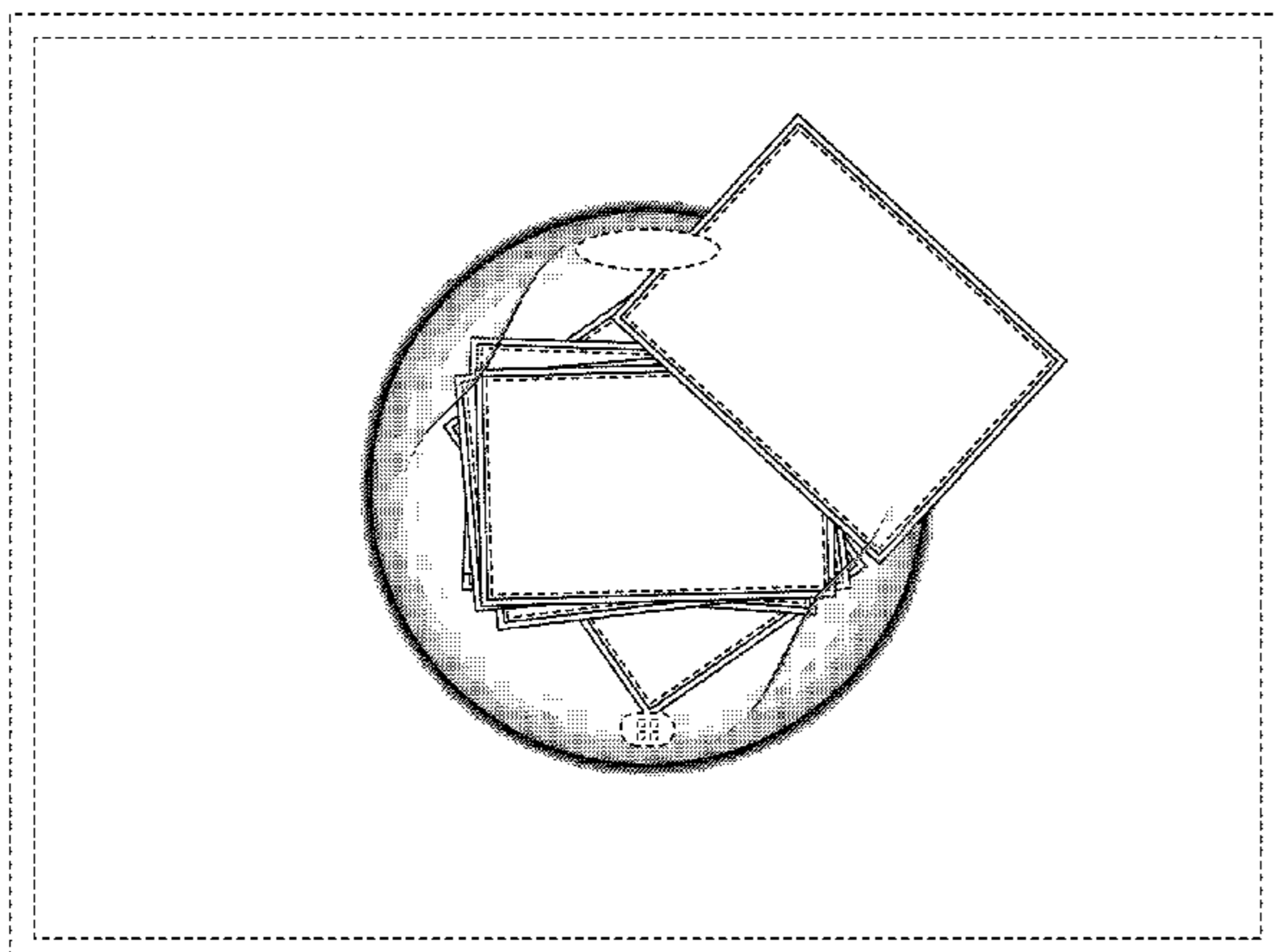
FIG. 4 is the fourth image thereof;

FIG. 5 is the fifth image thereof; and,

FIG. 6 is the sixth image thereof.

The appearance of the animated image sequentially transitions between the images shown in FIGS. 1–6. The process or period in which one image transitions to another forms no part of the claimed design. The broken line showing of the display screen and various regions including the unshaded areas there within forms no part of the claimed design.

**1 Claim, 6 Drawing Sheets**



# US D598,928 S

Page 2

---

## U.S. PATENT DOCUMENTS

D545,834 S \* 7/2007 Anthony et al. .... D14/488  
D545,835 S \* 7/2007 Anthony et al. .... D14/488  
D546,334 S \* 7/2007 Seo et al. .... D14/485  
D546,343 S \* 7/2007 Anthony et al. .... D14/488  
D549,713 S \* 8/2007 Lewin et al. .... D14/485  
D554,144 S \* 10/2007 Hally et al. .... D14/487  
D554,146 S \* 10/2007 Gusmorino et al. .... D14/492  
D555,663 S \* 11/2007 Nagata et al. .... D14/488  
D559,262 S \* 1/2008 Young ..... D14/487  
D559,855 S \* 1/2008 Sato et al. .... D14/486  
D563,981 S \* 3/2008 Montagne et al. .... D14/489  
D572,264 S \* 7/2008 Guimaraes et al. .... D14/490  
D578,544 S \* 10/2008 Nathan et al. .... D14/488

D588,606 S \* 3/2009 Nathan et al. .... D14/488

## OTHER PUBLICATIONS

Iconfactory : Freeware : Clipper System 2, [online] Jan. 20, 2004 [retrieved on Apr. 4, 2007]. Retrieved from the Internet <URL: <http://iconfactory.com/freeware/preview/clp2>>.\*  
Iconfactory : Freeware : Peel Off, [online] Mar. 30, 2001 [retrieved on Apr. 4, 2007]. Retrieved from the Internet <URL: <http://iconfactory.com/freeware/preview/peel>>.\*  
Iconfactory : Freeware : Private Eye Act 2, [online] Feb. 10, 2004 [retrieved on Apr. 4, 2007]. Retrieved from the Internet <URL: <http://iconfactory.com/freeware/preview/pea2>>.\*

\* cited by examiner

FIG. 1

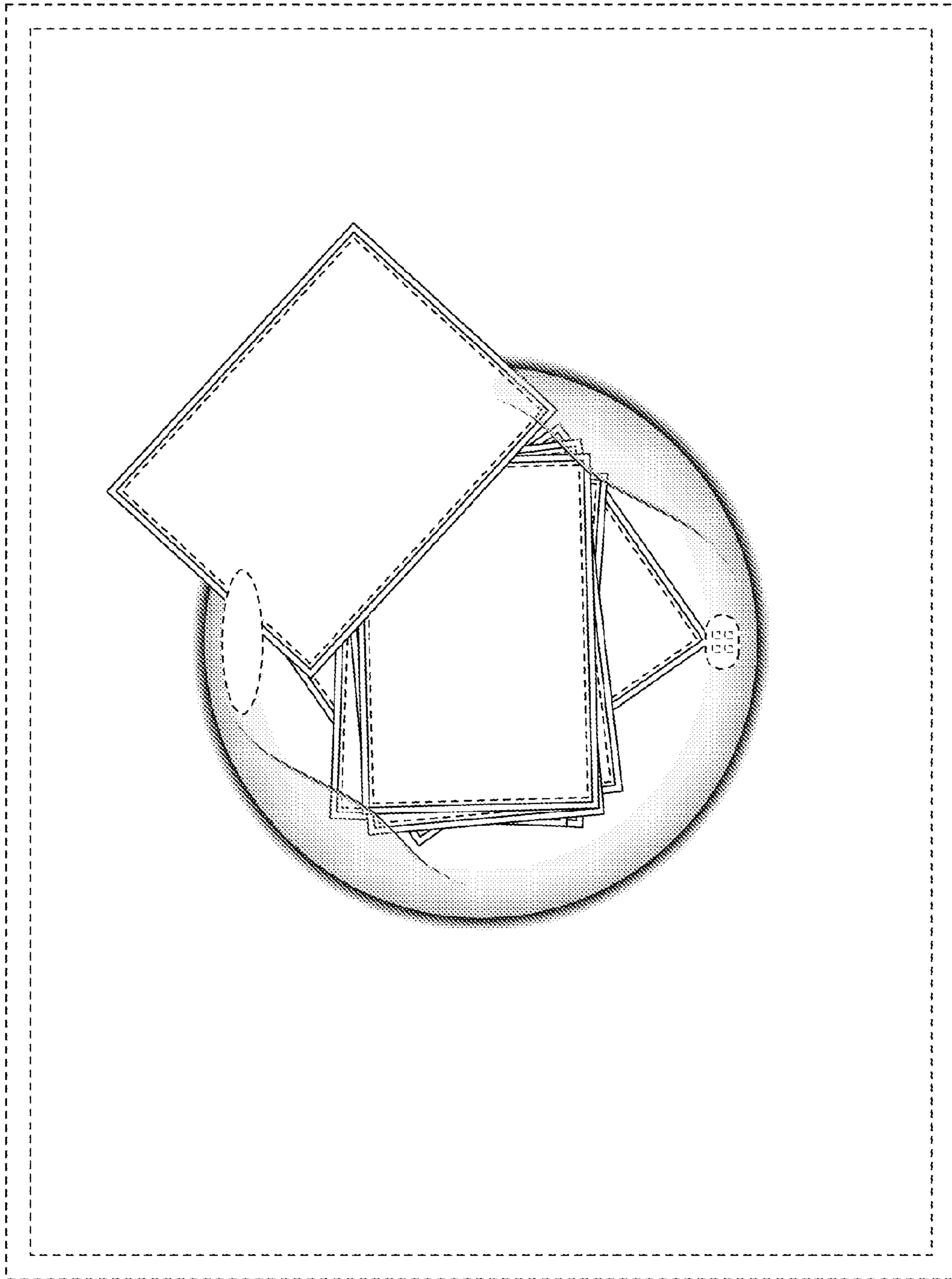


FIG. 2

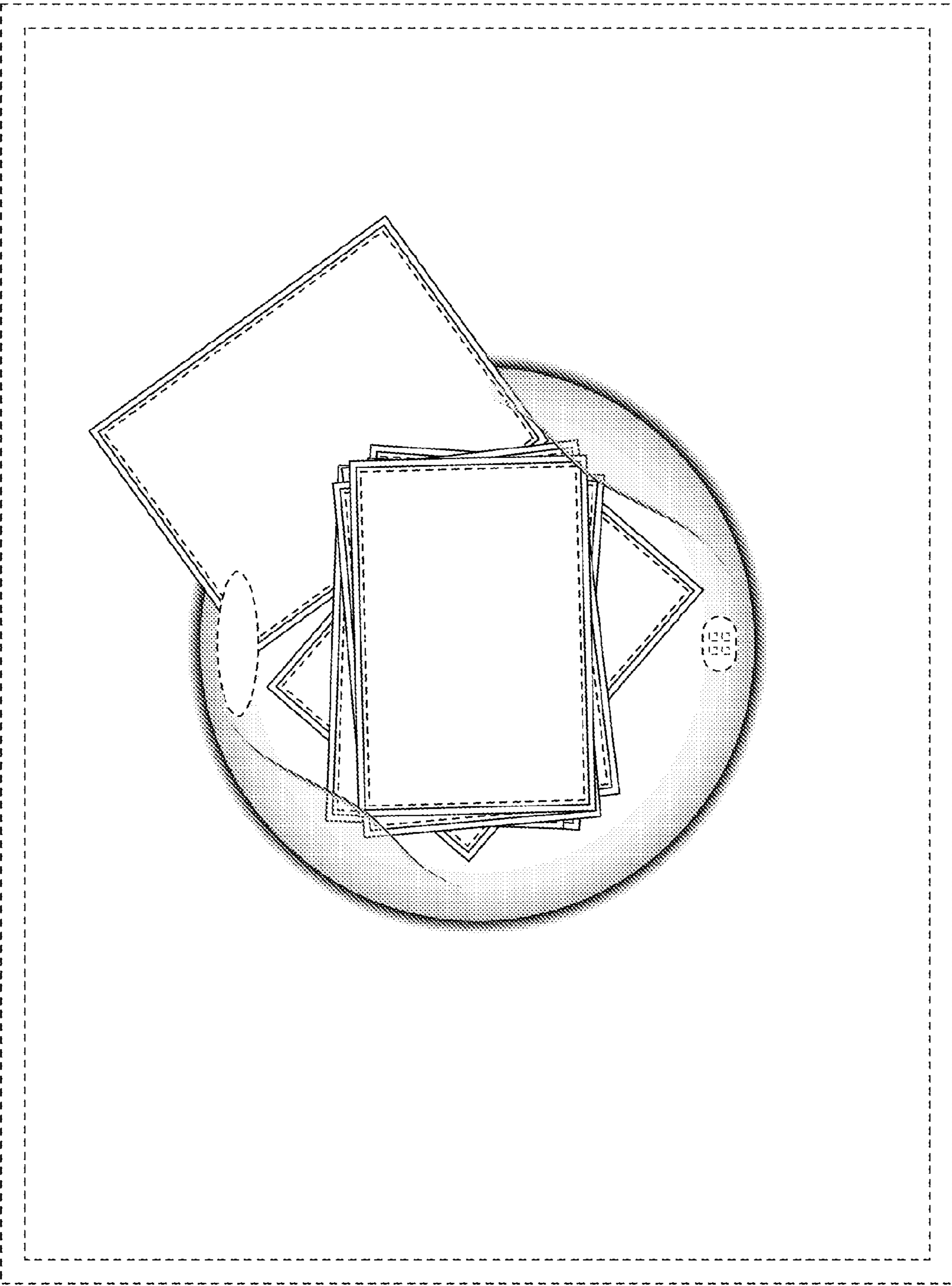
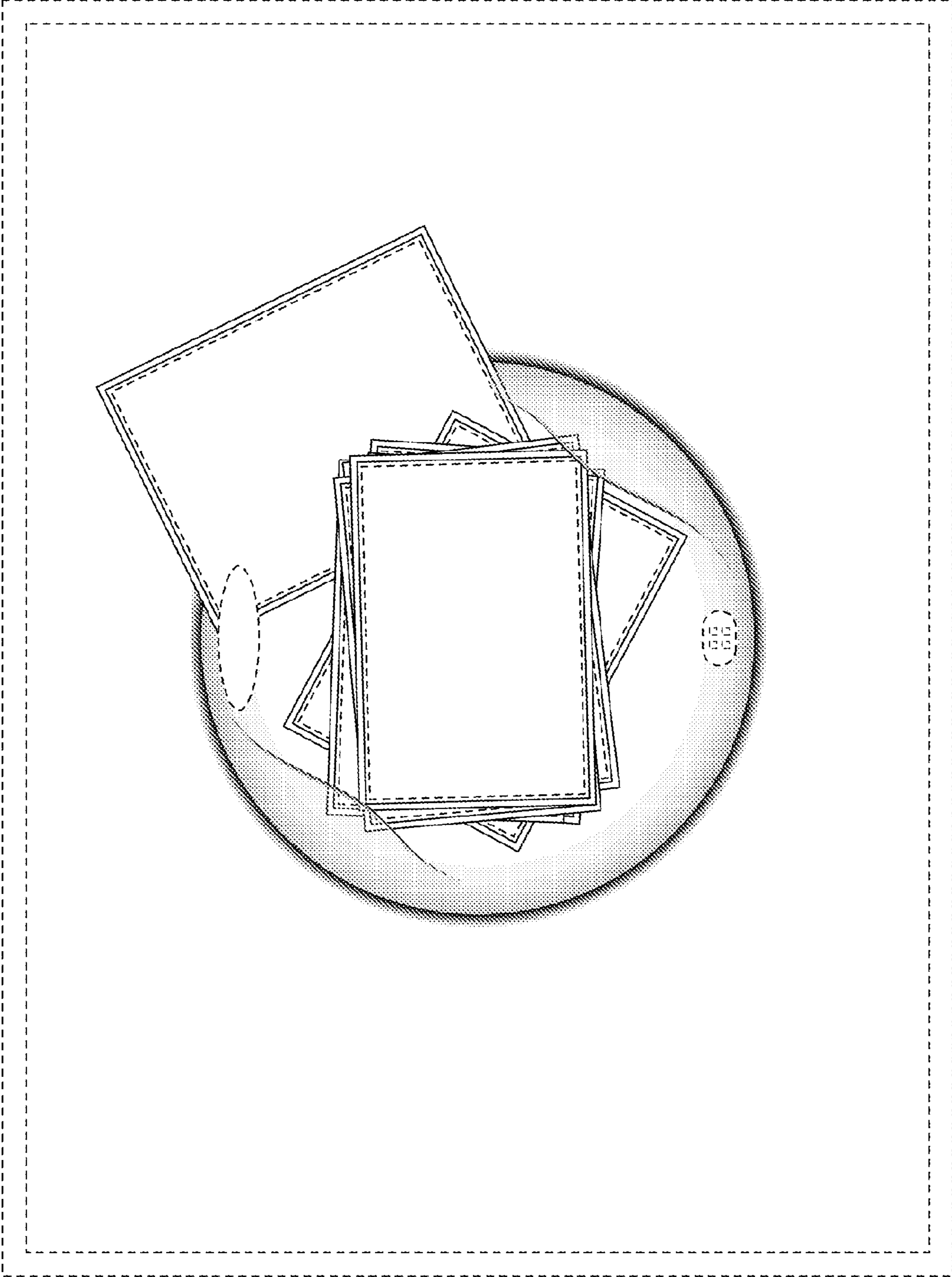


FIG. 3



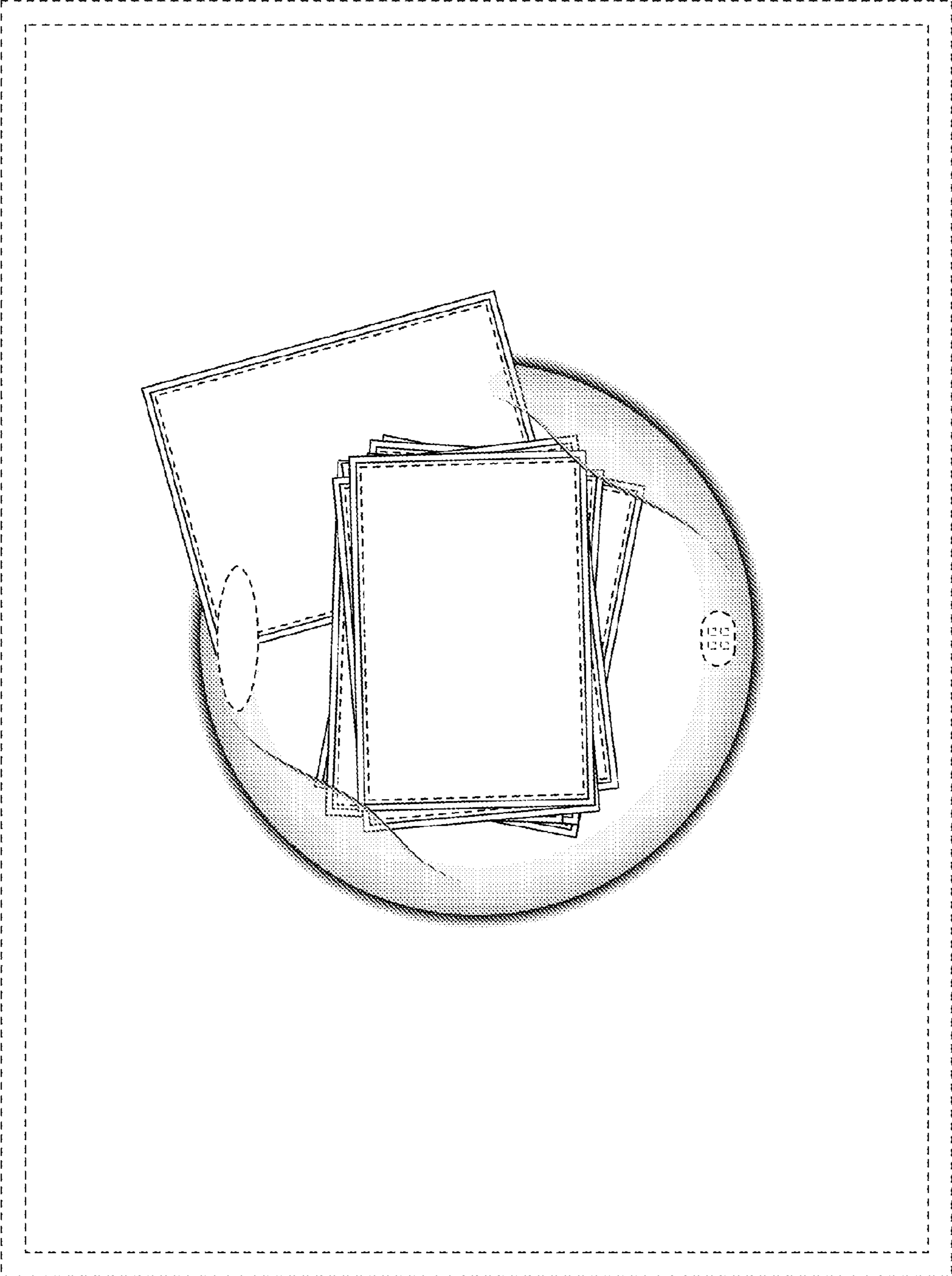


FIG. 4

FIG. 5

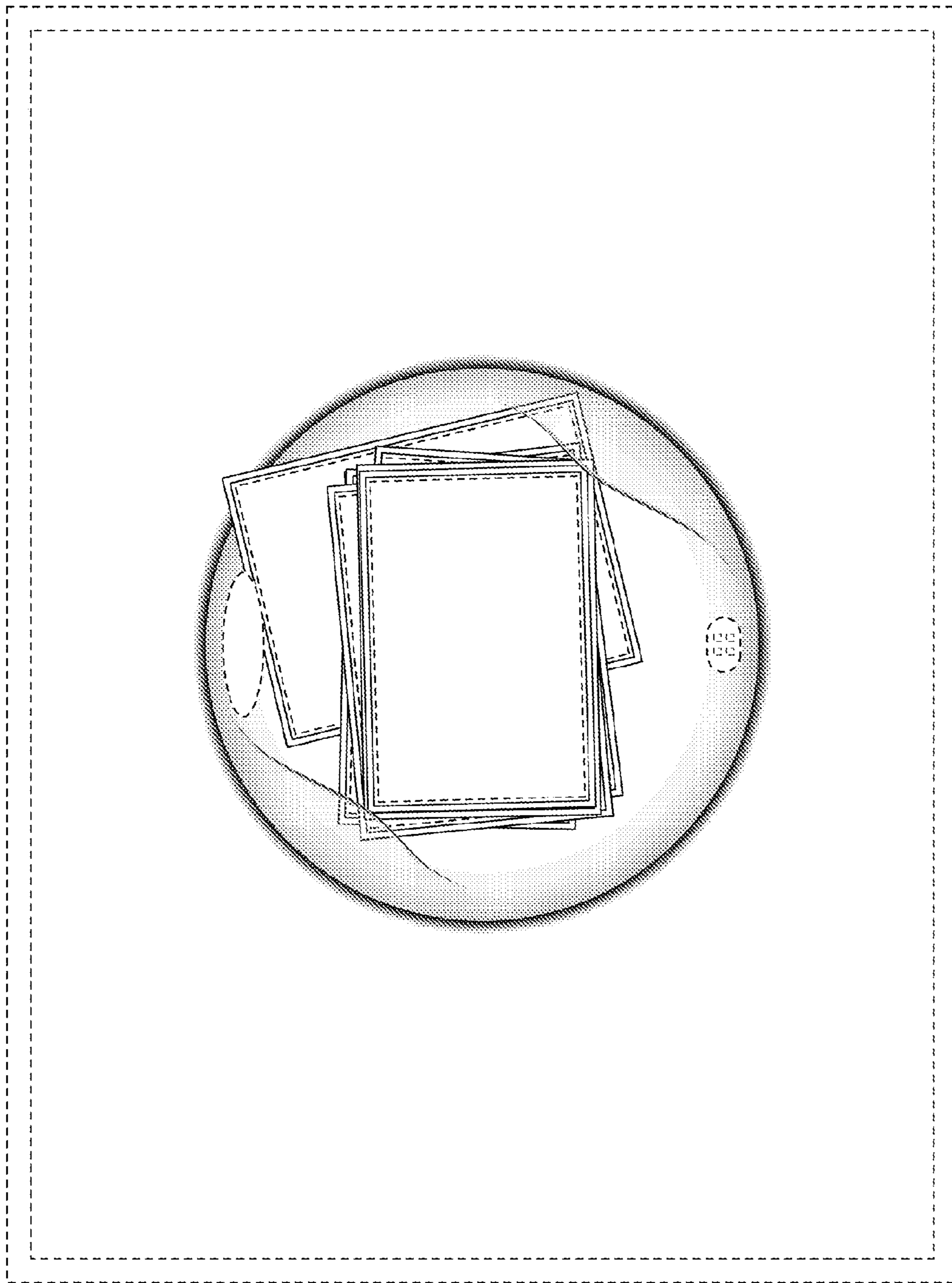


FIG. 6

