

US00D598926S

(12) **United States Design Patent**
Hirsch et al.

(10) **Patent No.:** **US D598,926 S**

(45) **Date of Patent:** **** Aug. 25, 2009**

(54) **ANIMATED IMAGE FOR A PORTION OF A DISPLAY SCREEN**

(75) Inventors: **Evan Marc Hirsch**, Seattle, WA (US);
Noah Henry Kaarbo, Seattle, WA (US);
Sarah Graham Williams, Seattle, WA (US);
Martin Andrew Kline, Studio City, CA (US)

(73) Assignee: **Microsoft Corporation**, Redmond, WA (US)

(**) Term: **14 Years**

(21) Appl. No.: **29/328,632**

(22) Filed: **Nov. 26, 2008**

(51) **LOC (9) Cl.** **32-00**

(52) **U.S. Cl.** **D14/485**

(58) **Field of Classification Search** D14/485-495;
D18/26, 31-33; D20/11-12, 23-25, 29-32,
D20/36-38; 715/700-867, 973-977

See application file for complete search history.

(56) **References Cited**

U.S. PATENT DOCUMENTS

D47,864 S *	9/1915	Shaw	D20/23
D134,261 S *	11/1942	Teague	D20/25
D170,617 S *	10/1953	Abrahams et al.	D9/635
D321,903 S *	11/1991	Chepaitis	D18/26
D397,332 S *	8/1998	Ryan	D14/487
D404,727 S *	1/1999	Hodges Wilsher et al.	D14/491
6,151,059 A *	11/2000	Schein et al.	725/37
D453,937 S *	2/2002	Wasko et al.	D14/487
D469,444 S *	1/2003	Ording et al.	D14/487
D474,195 S *	5/2003	Kates et al.	D14/485
D474,782 S *	5/2003	Okuley	D14/489
D482,368 S *	11/2003	den Toonder et al.	D14/486
D485,279 S *	1/2004	DeCombe	D14/486

(Continued)

OTHER PUBLICATIONS

Excerpt from Stroke Graphics Catalog, Degrade [online], [retrieved on Apr. 4, 2007]. Retrieved from the Internet <URL:http://www.iconshock.com>.*

Excerpt from Lumina Multimedia Catalog, Stop [online], [retrieved on Apr. 4, 2007]. Retrieved from the Internet <URL:http://www.iconshock.com>.*

Excerpt from Vista data Catalog, Stop [online], [retrieved on Apr. 4, 2007]. Retrieved from the Internet <URL:http://www.iconshock.com>.*

Excerpt from Diamond General Catalog, Sphere [online], [retrieved on Apr. 4, 2007]. Retrieved from the Internet <URL:http://www.iconshock.com>.*

Excerpt from Future Multimedia Catalog, Stop [online], [retrieved on Apr. 4, 2007]. Retrieved from the Internet <URL:http://www.iconshock.com>.*

Primary Examiner—Cathron C Brooks

Assistant Examiner—Karen E Kearney

(74) *Attorney, Agent, or Firm*—Banner & Witcoff, Ltd.

(57) **CLAIM**

The ornamental design for an animated image for a portion of a display screen, as shown and described.

DESCRIPTION

FIG. 1 is a first image in the sequence for an animated image for a portion of a display screen showing our new design;

FIG. 2 is the second image thereof;

FIG. 3 is the third image thereof;

FIG. 4 is the fourth image thereof;

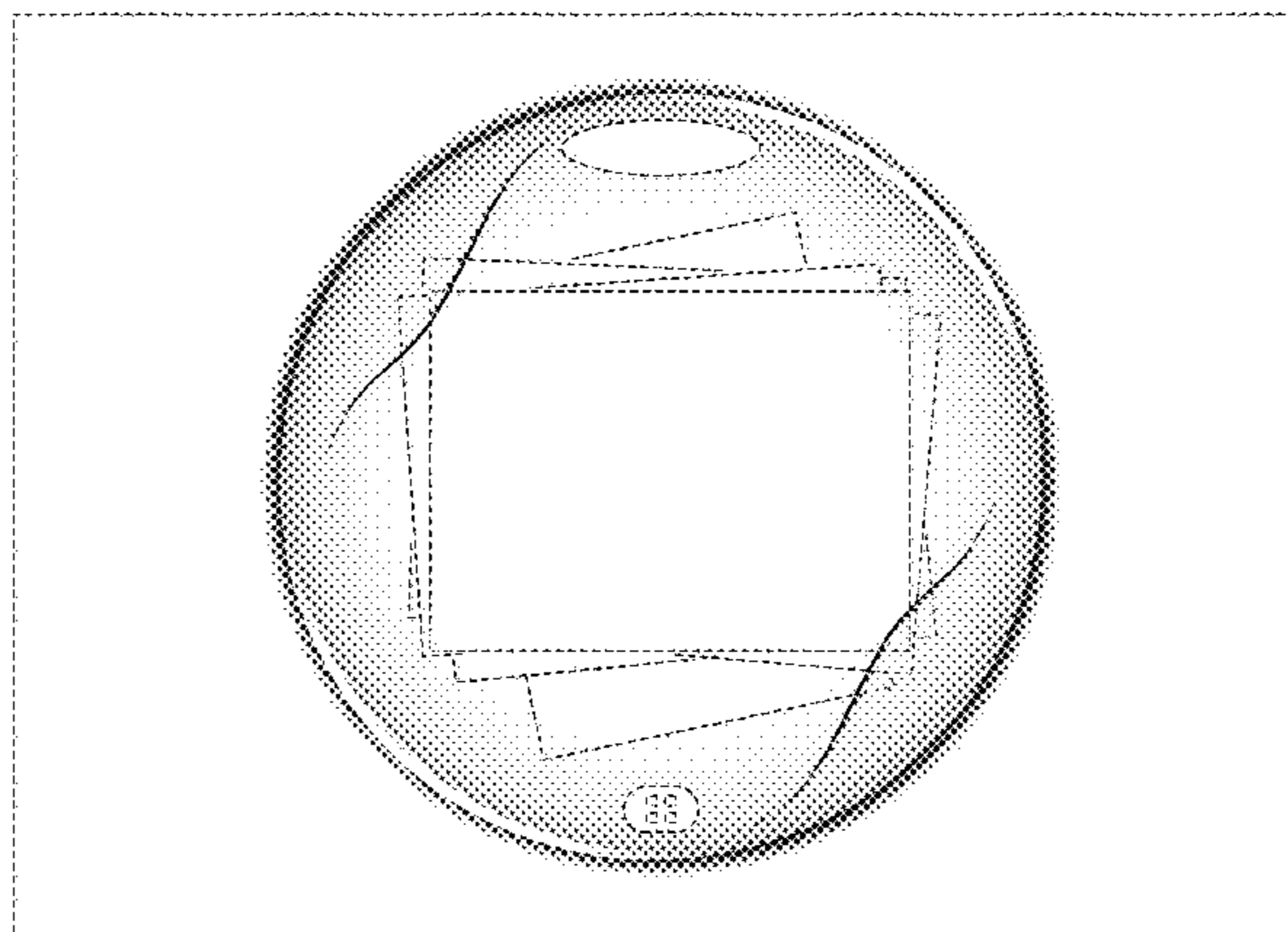
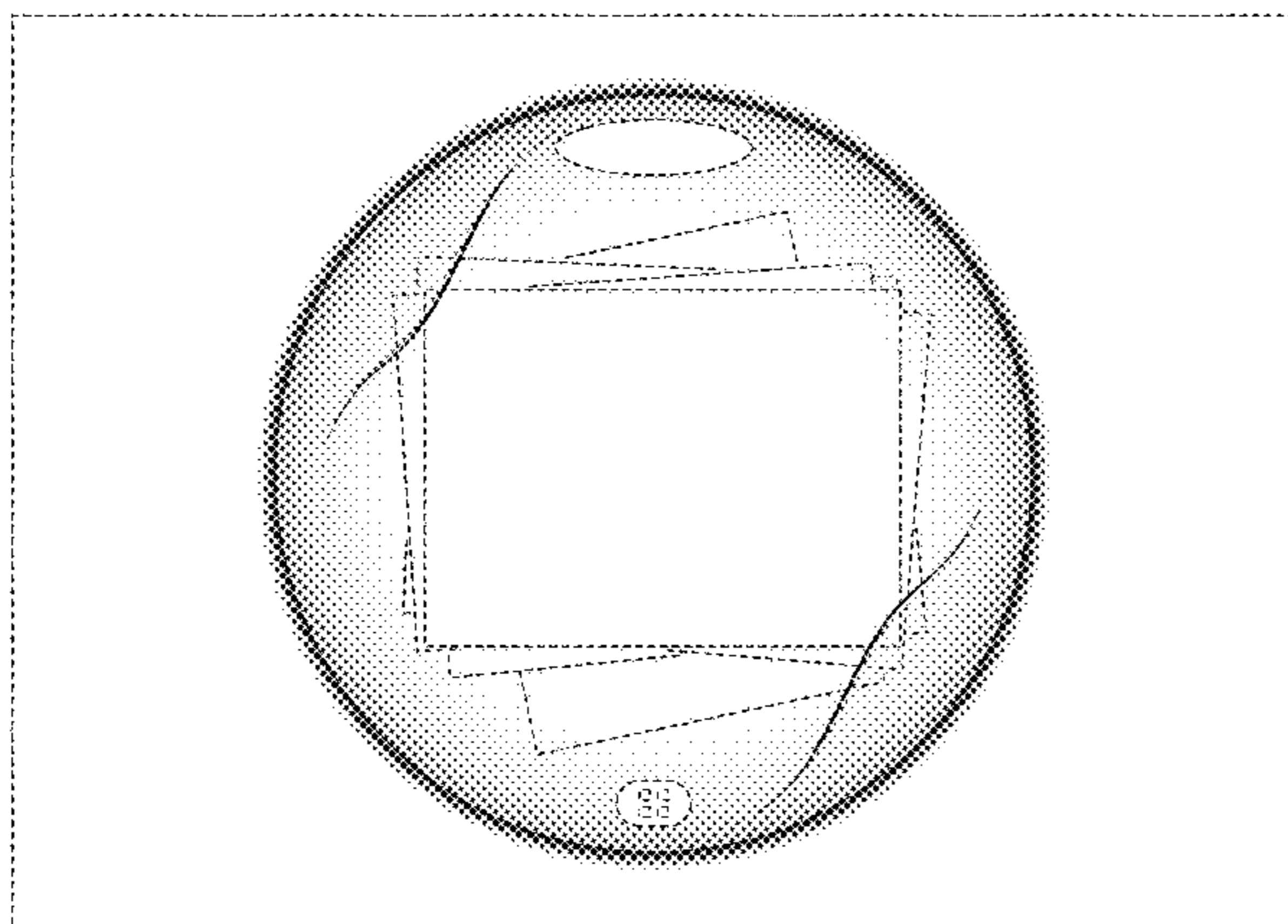
FIG. 5 is the fifth image thereof;

FIG. 6 is the sixth image thereof; and,

FIG. 7 is the seventh image thereof.

The appearance of the animated image sequentially transitions between the images shown in FIGS. 1-7. The process or period in which one image transitions to another forms no part of the claimed design. The broken line showing of the display screen and various regions including the unshaded areas there within forms no part of the claimed design.

1 Claim, 7 Drawing Sheets



US D598,926 S

Page 2

U.S. PATENT DOCUMENTS

D497,367 S *	10/2004	Wasko et al.	D14/489	D545,323 S *	6/2007	Decombe	D14/485
D503,179 S *	3/2005	Kolawa et al.	D14/489	D546,334 S *	7/2007	Seo et al.	D14/485
7,030,890 B1 *	4/2006	Jouet et al.	715/700	D559,262 S *	1/2008	Young	D14/485
D533,871 S *	12/2006	Stabb et al.	D14/485	D563,981 S *	3/2008	Montagne et al.	D14/489
				2003/0103075 A1 *	6/2003	Rosselot	345/717

* cited by examiner

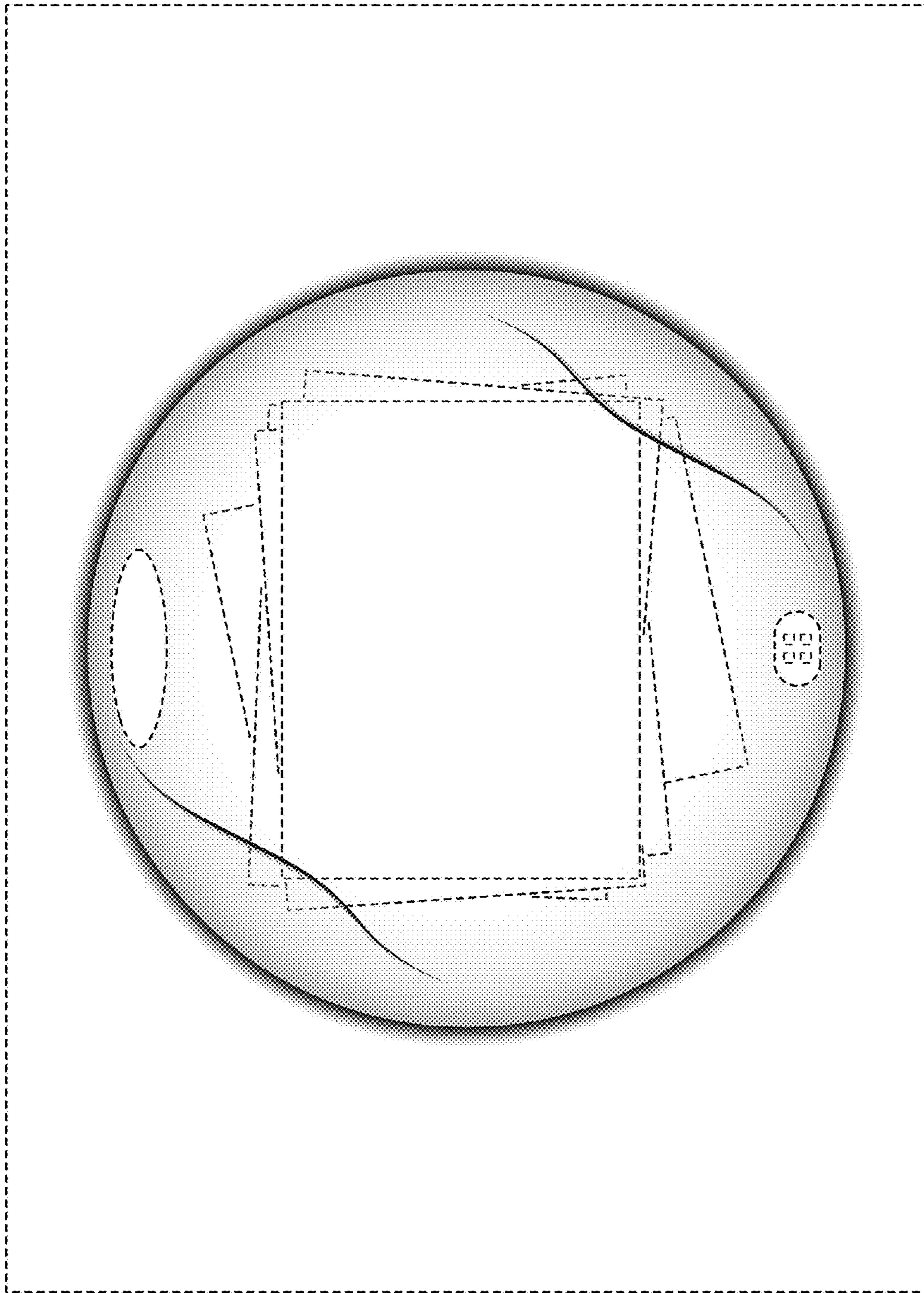


FIG. 1

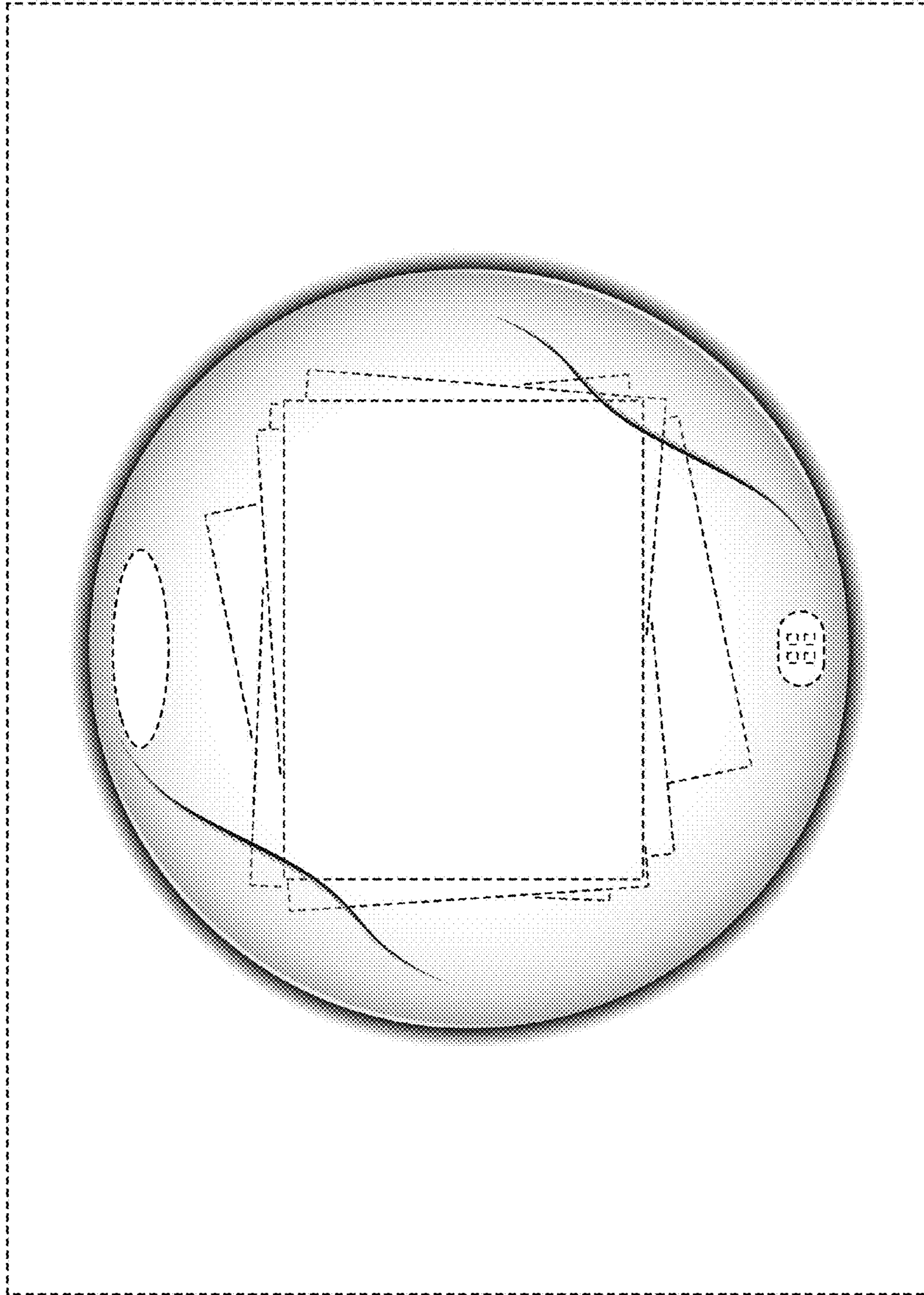


FIG. 2

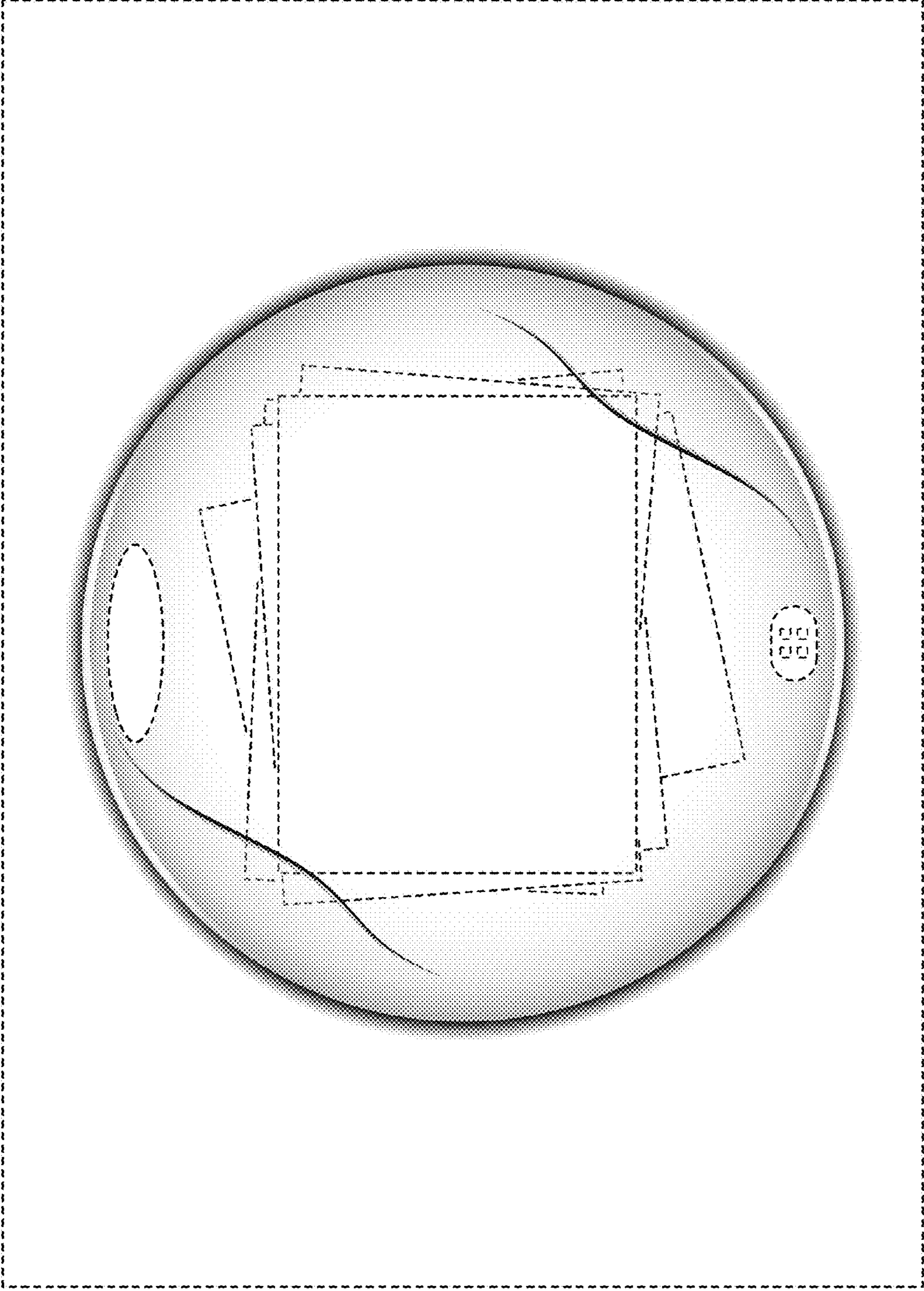


FIG. 3

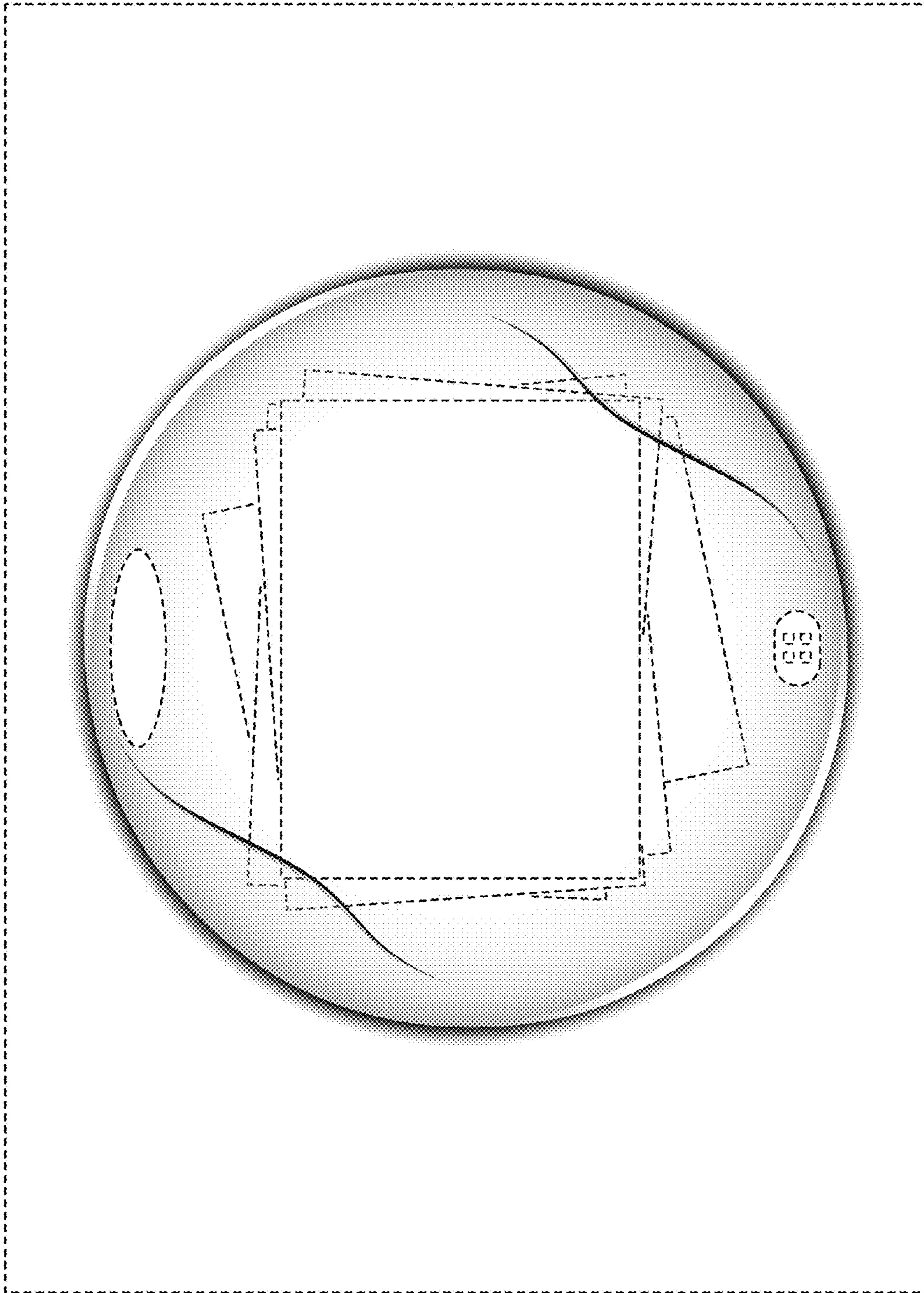


FIG. 4

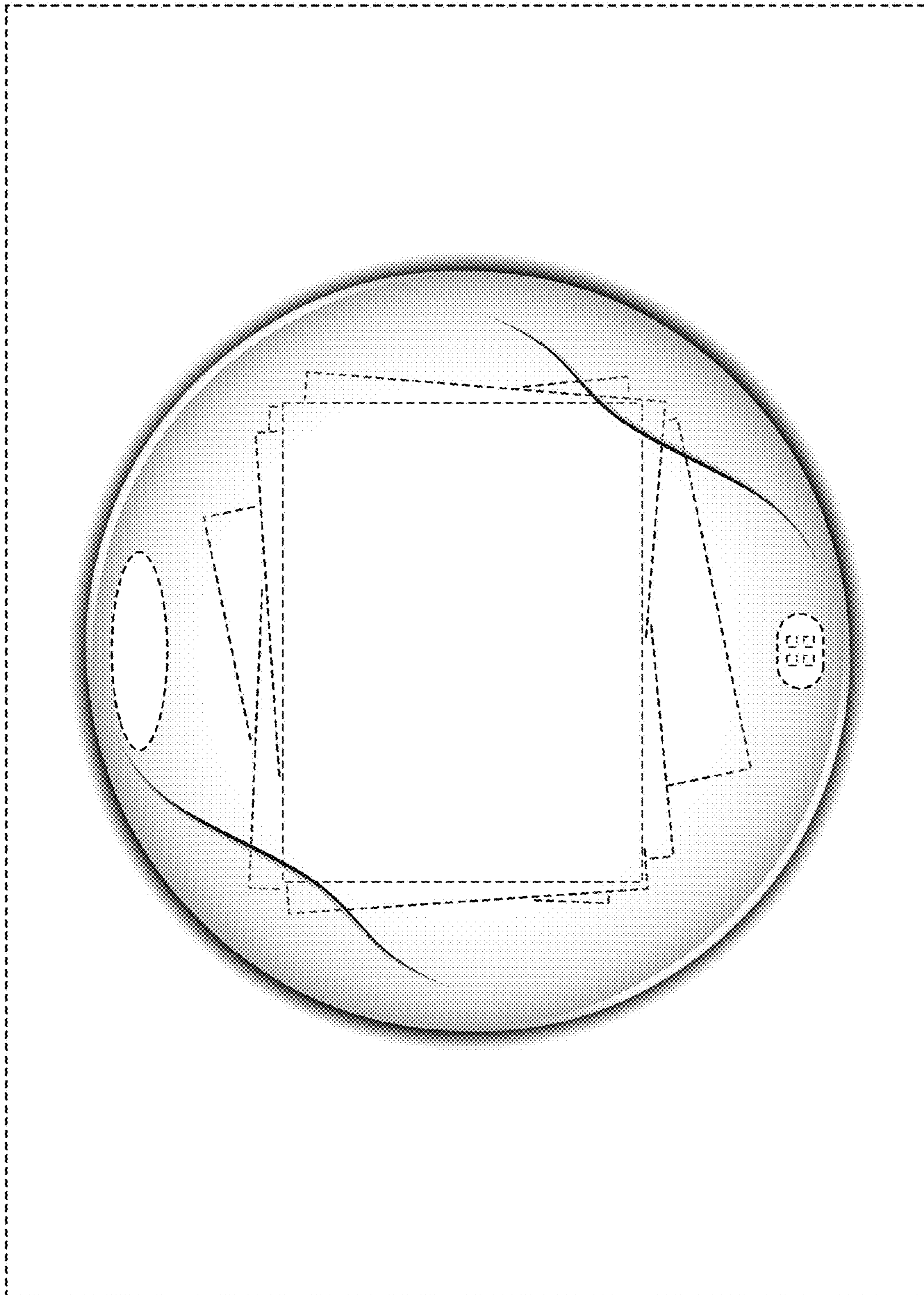
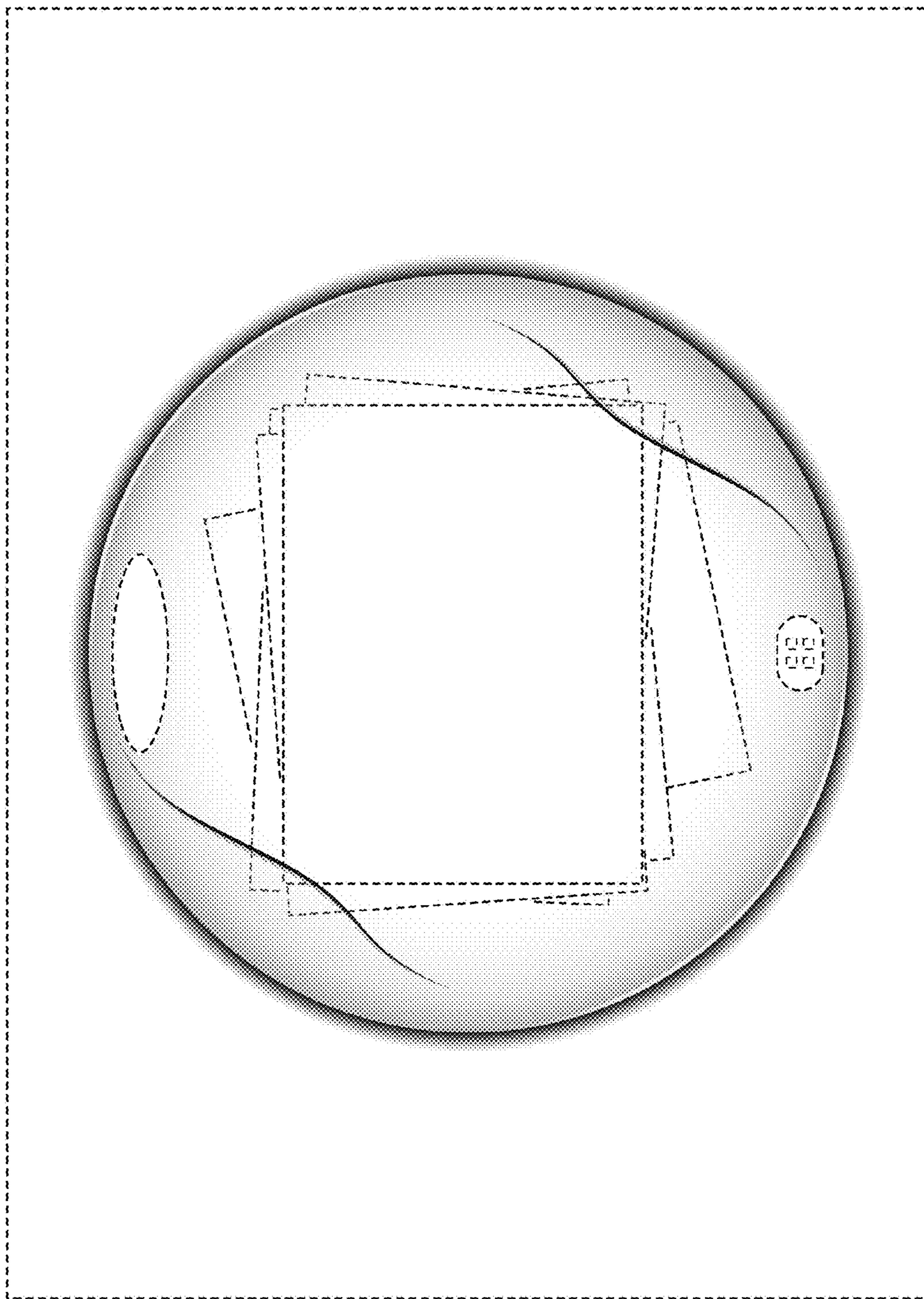


FIG. 5

FIG. 6



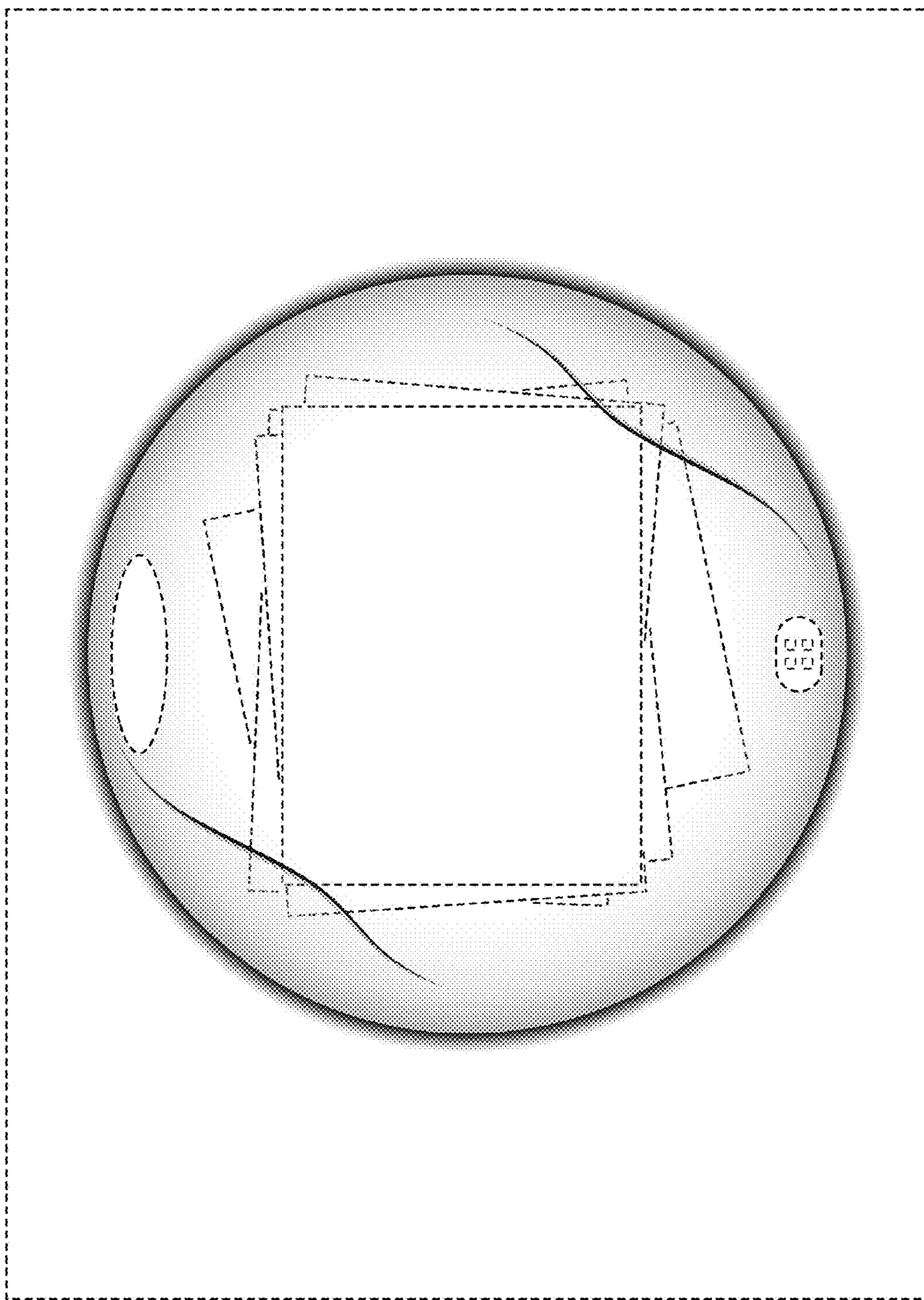


FIG. 7