



US00D598922S

(12) **United States Design Patent**
Taatjes et al.

(10) **Patent No.:** **US D598,922 S**
(45) **Date of Patent:** **** Aug. 25, 2009**

(54) **FILAMENT SPOOL CONTAINER**

(75) Inventors: **Thomas L. Taatjes**, Eden Prairie, MN (US); **Patrick W. Turley**, Eden Prairie, MN (US); **Martin G. Zalusky**, Bloomington, MN (US)

(73) Assignee: **Stratasys, Inc.**, Eden Prairie, MN (US)

(**) Term: **14 Years**

(21) Appl. No.: **29/326,638**

(22) Filed: **Oct. 22, 2008**

(51) **LOC (9) Cl.** **14-99**

(52) **U.S. Cl.** **D14/475**

(58) **Field of Classification Search** D14/161,
D14/484, 475, 496; D8/358, 359, 356, 308;
D22/137, 140; D12/206; D3/24; 242/118.7,
242/159, 476.6, 608.8, 614.1; 206/412; 137/355.27;
254/213

See application file for complete search history.

(56) **References Cited**

U.S. PATENT DOCUMENTS

D224,683 S *	8/1972	Wada et al.	D14/475
D228,789 S *	10/1973	Koni	D14/475
D230,991 S *	3/1974	Katto et al.	D14/475
D260,514 S *	9/1981	Gell	D14/475
D276,527 S *	11/1984	Flanigan	D14/435
D282,357 S *	1/1986	Gell	D14/475
5,121,329 A	6/1992	Crump	364/468
D346,379 S *	4/1994	Patel et al.	D14/475
5,340,433 A	8/1994	Crump	156/578
5,503,785 A	4/1996	Crump et al.	264/40.7

(Continued)

Primary Examiner—Stella M Reid

Assistant Examiner—Keli L Hill

(74) *Attorney, Agent, or Firm*—Westman, Champlin & Kelly, P.A.

(57) **CLAIM**

The ornamental design for a filament spool container, as shown and described.

DESCRIPTION

Reference is hereby made to co-filed U.S. patent application Ser. No. 12/255,808, entitled “Filament Spool”; co-filed U.S. patent application Ser. No. 12/255,811, entitled “Filament Guided Mechanism for Filament Spool Container”; and co-filed U.S. patent application Ser. No. 29/326,639, entitled “Filament Spool”.

FIG. 1 is a top front perspective view of a first embodiment of a filament spool container, embodying our new design;

FIG. 2 is a bottom front perspective view thereof;

FIG. 3 is a top view thereof;

FIG. 4 is a bottom view thereof;

FIG. 5 is a front view thereof;

FIG. 6 is a rear view thereof;

FIG. 7 is a left side view thereof;

FIG. 8 is a right side view thereof;

FIG. 9 is a top front perspective view of a second embodiment of a filament spool container, embodying our new design;

FIG. 10 is a bottom front perspective view thereof;

FIG. 11 is a top view thereof;

FIG. 12 is a bottom view thereof;

FIG. 13 is a front view thereof;

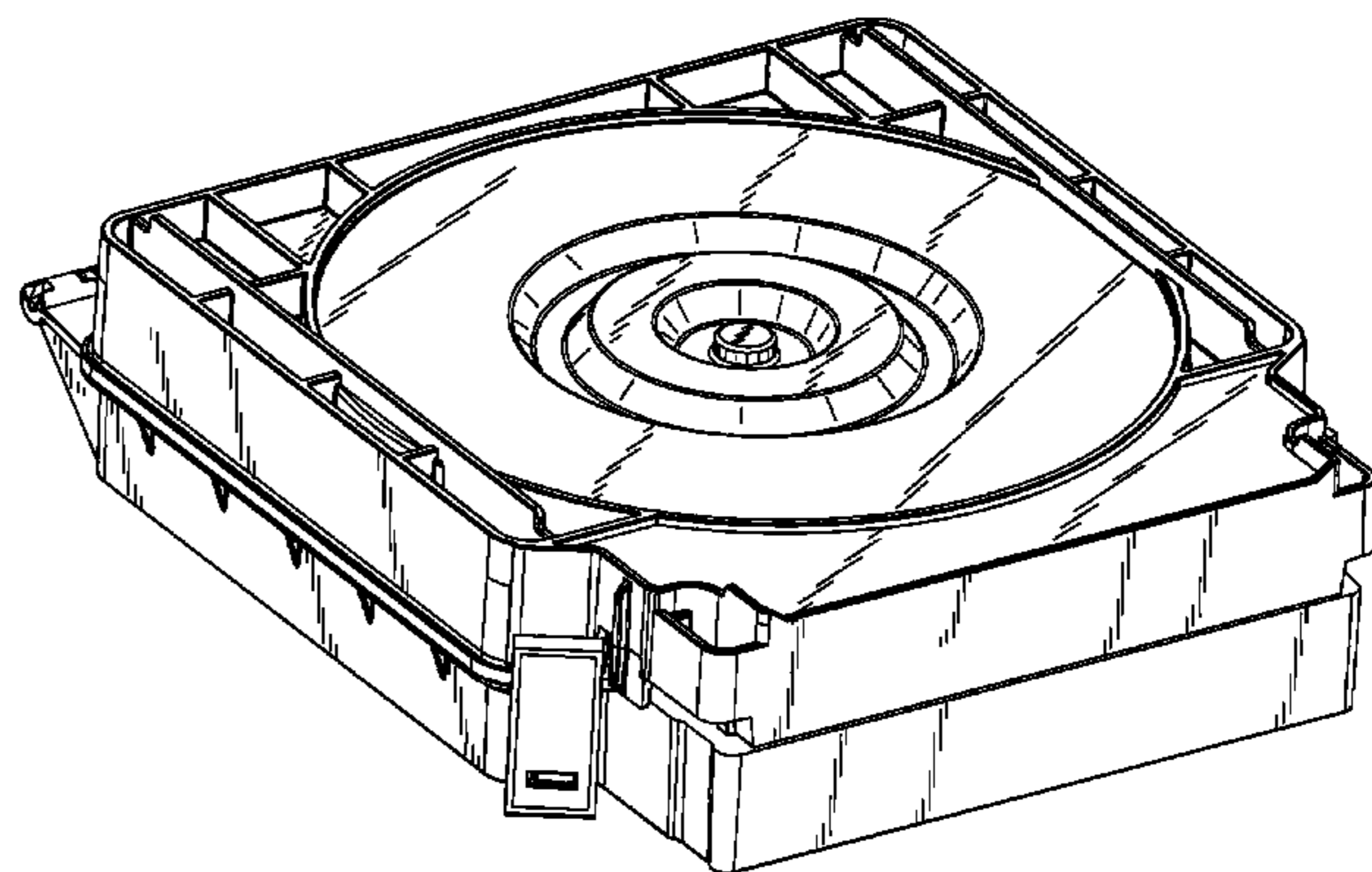
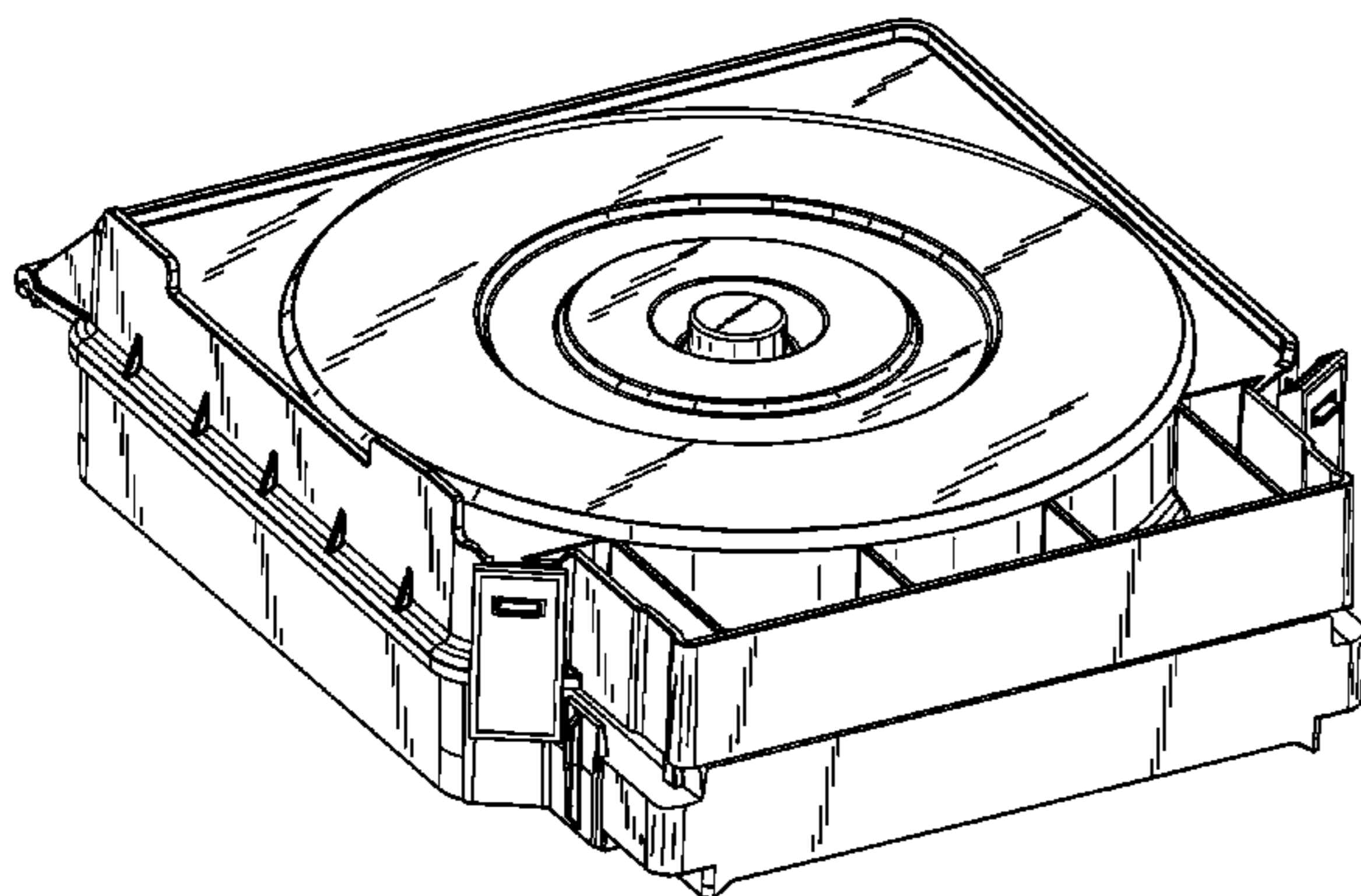
FIG. 14 is a rear view thereof;

FIG. 15 is a left side view thereof; and,

FIG. 16 is a right side view thereof.

Features illustrated with dashed lines are not considered features of the invention being claimed, but rather illustrate an exemplary environment for the claimed features illustrated with solid lines.

1 Claim, 12 Drawing Sheets



US D598,922 S

Page 2

U.S. PATENT DOCUMENTS						
			6,722,872	B1	4/2004	Swanson et al. 425/225
			6,776,602	B2	8/2004	Swanson et al. 425/376.1
			6,790,403	B1	9/2004	Priedeman, Jr. et al. 264/442
			7,063,285	B1	6/2006	Turley et al. 242/171
			7,169,337	B2	1/2007	Swanson et al. 264/39
			7,341,214	B2	3/2008	Taatjes et al. 242/170
			7,384,255	B2	6/2008	LaBossiere et al. 425/190
			2004/0129823	A1*	7/2004	Swanson et al. 242/563
			2007/0001050	A1*	1/2007	Taatjes et al. 242/598.6
			2007/0228590	A1	10/2007	LaBossiere et al. 264/40.1
			2009/0050732	A1*	2/2009	Ishikawa 242/608.8
						* cited by examiner
D381,645	S *	7/1997	Johnson	D14/475	
5,939,008	A	8/1999	Comb et al.	264/308	
5,968,561	A	10/1999	Batchelder et al.	425/375	
6,022,207	A	2/2000	Dahlin et al.	425/145	
6,070,107	A	5/2000	Lombardi et al.	700/119	
6,085,957	A	7/2000	Zinniel et al.	226/8	
D436,111	S	1/2001	Hahn et al.	D14/475	
6,228,923	B1	5/2001	Lombardi et al.	524/425	
D470,498	S *	2/2003	Argumedo et al.	D14/435	
D474,191	S *	5/2003	Nakayama	D14/475	
6,685,866	B2	2/2004	Swanson et al.	264/308	

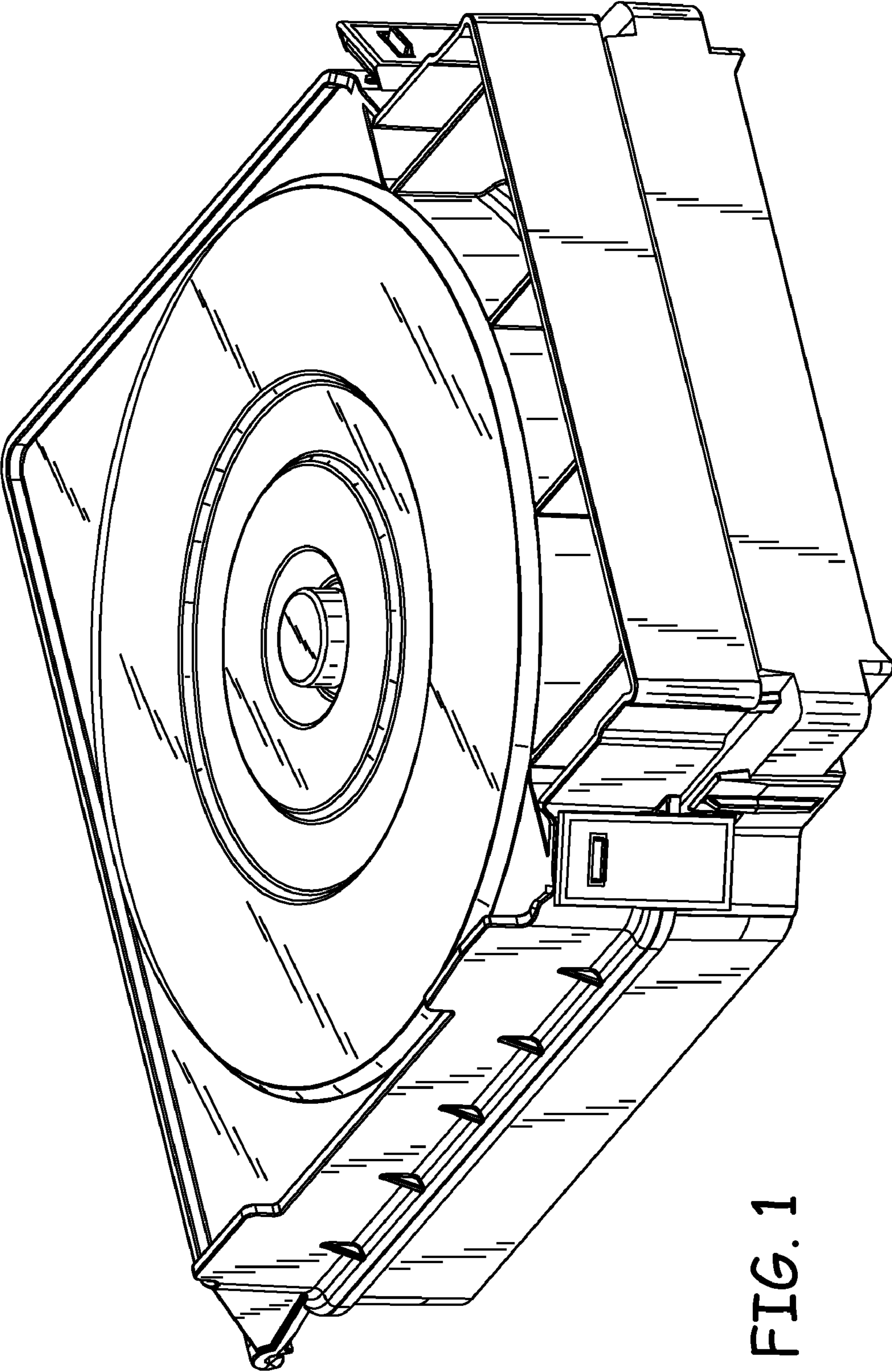


FIG. 1

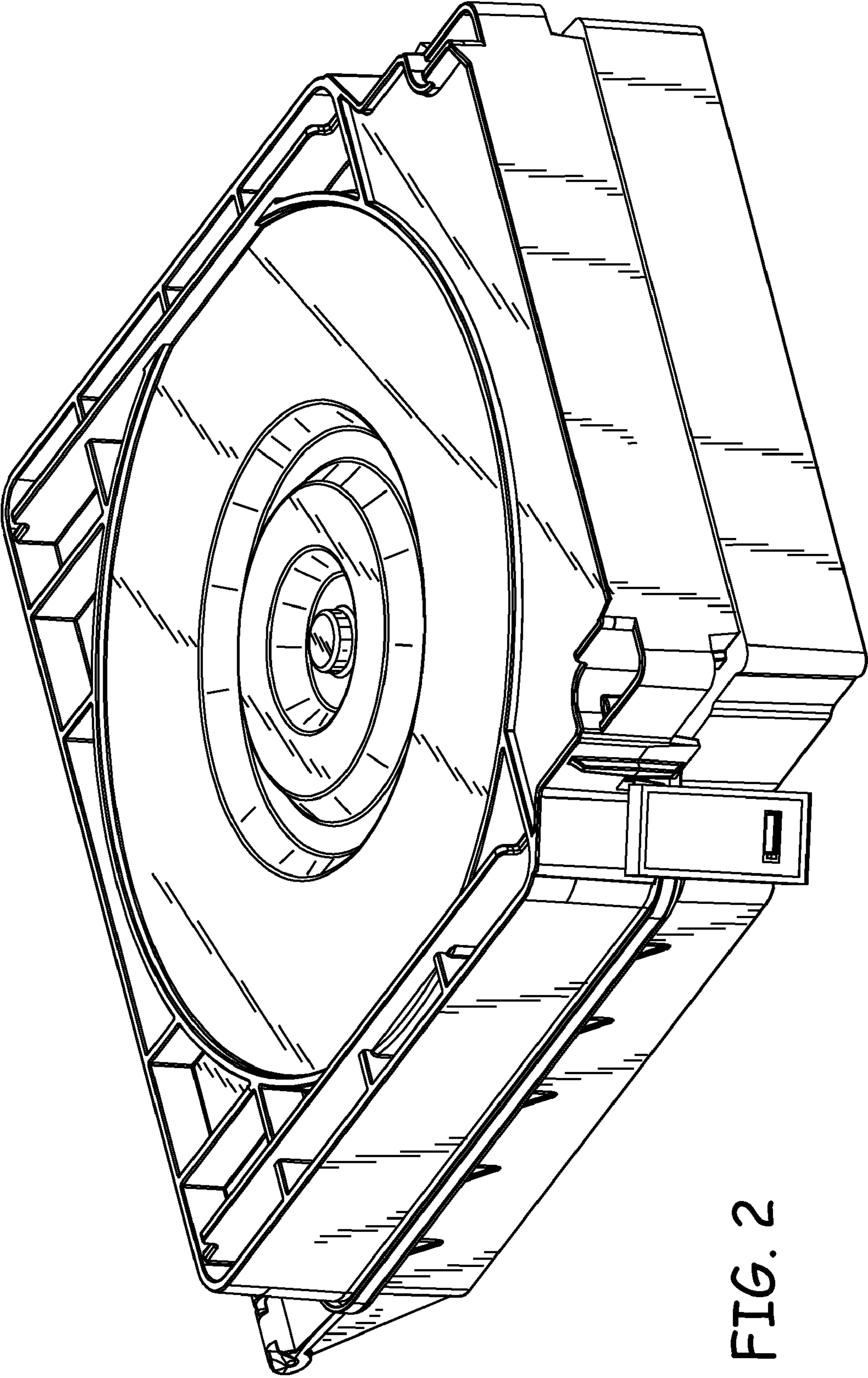


FIG. 2

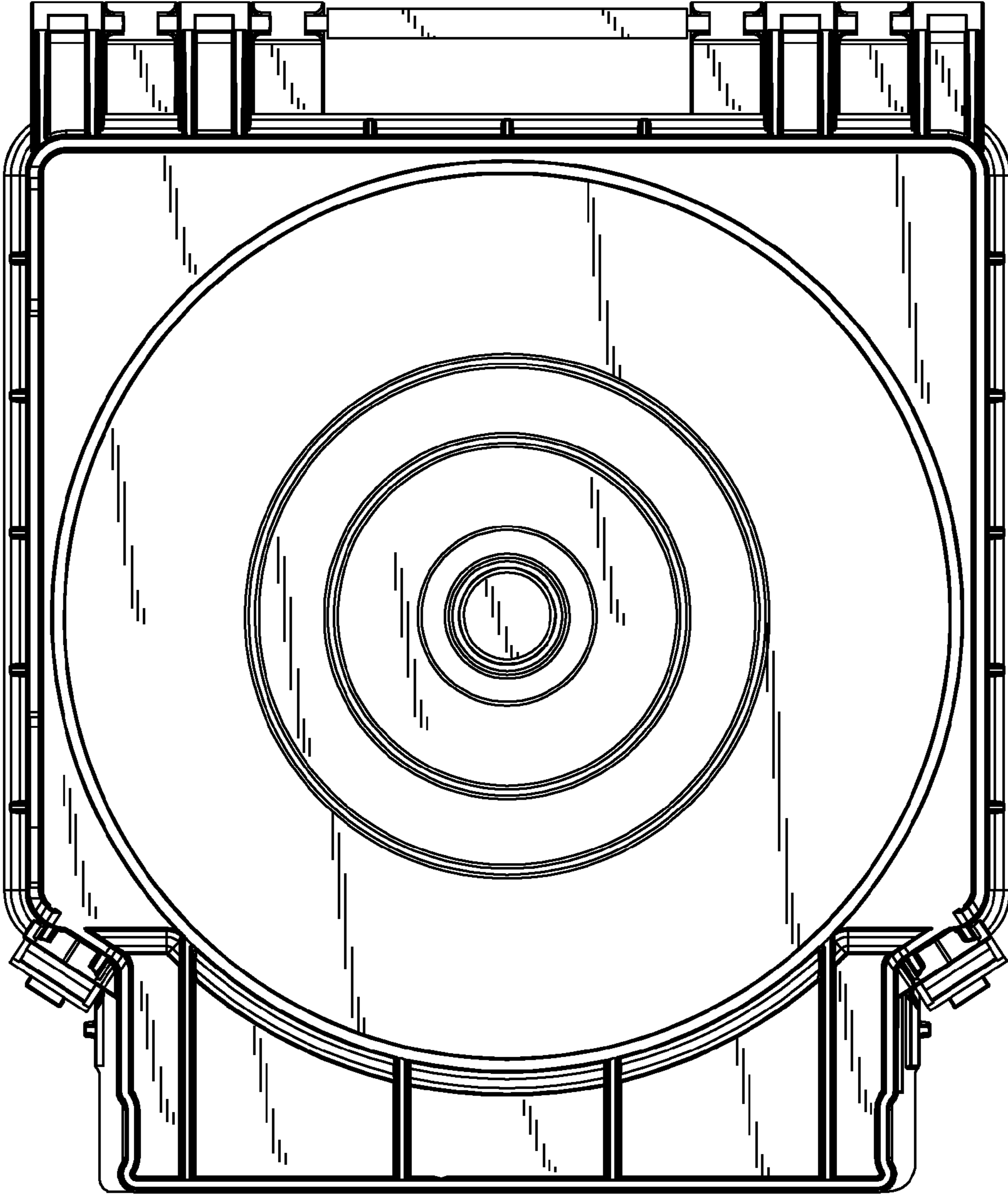


FIG. 3

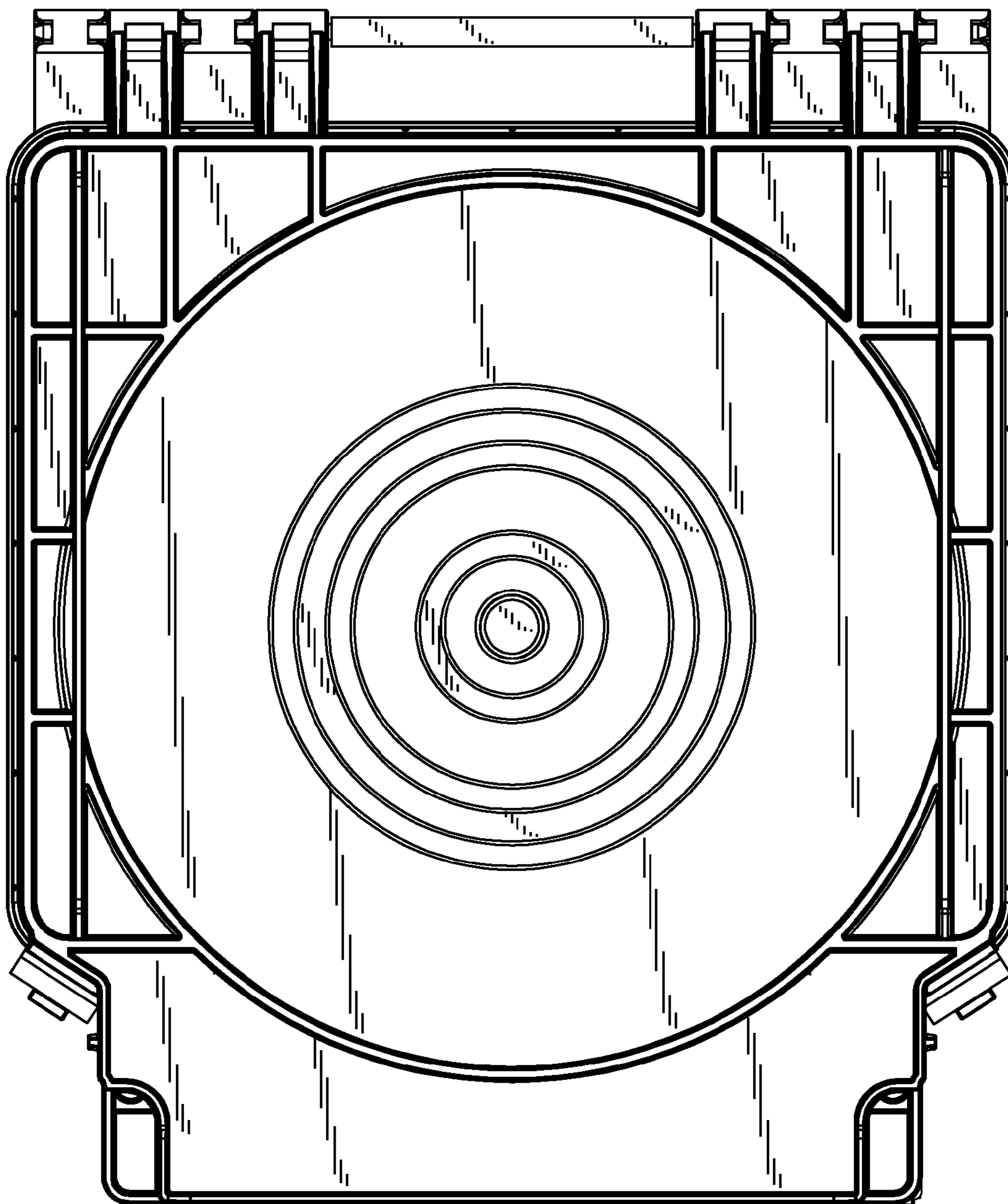


FIG. 4

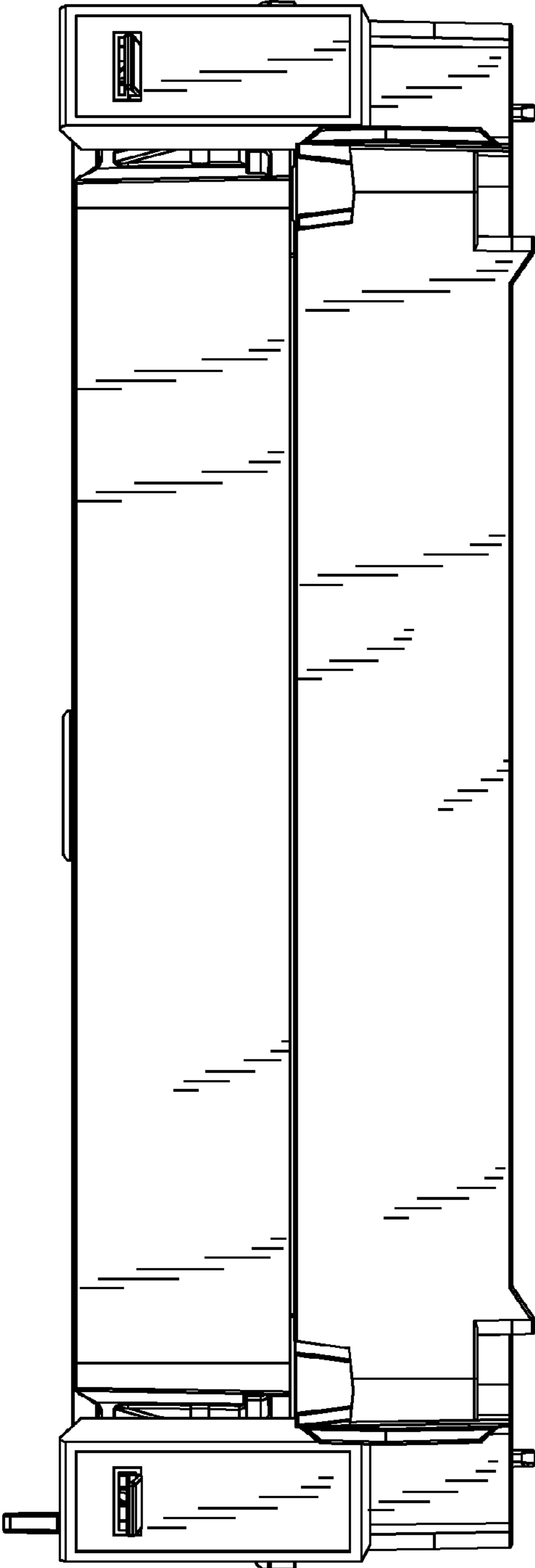


FIG. 5

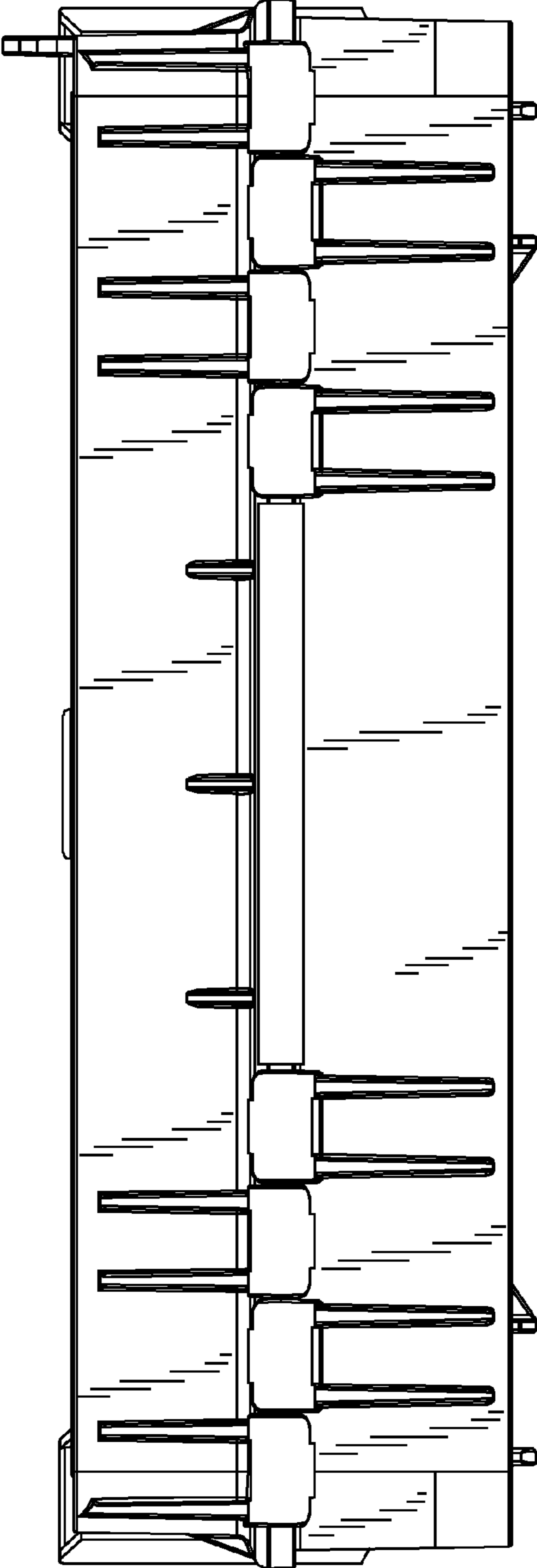


FIG. 6

FIG. 7

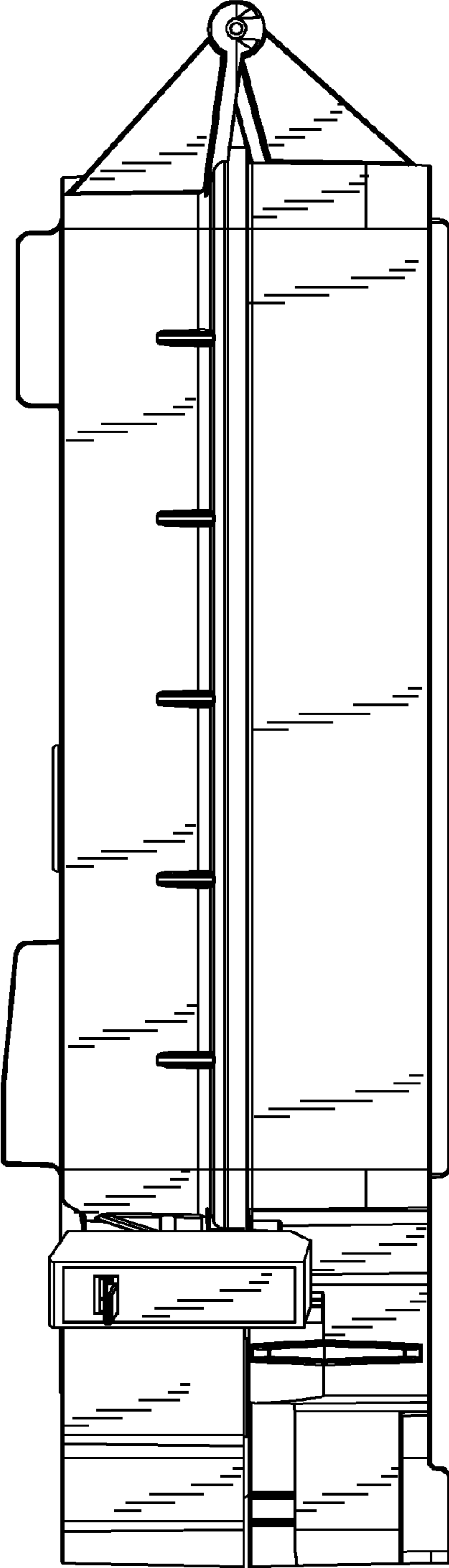
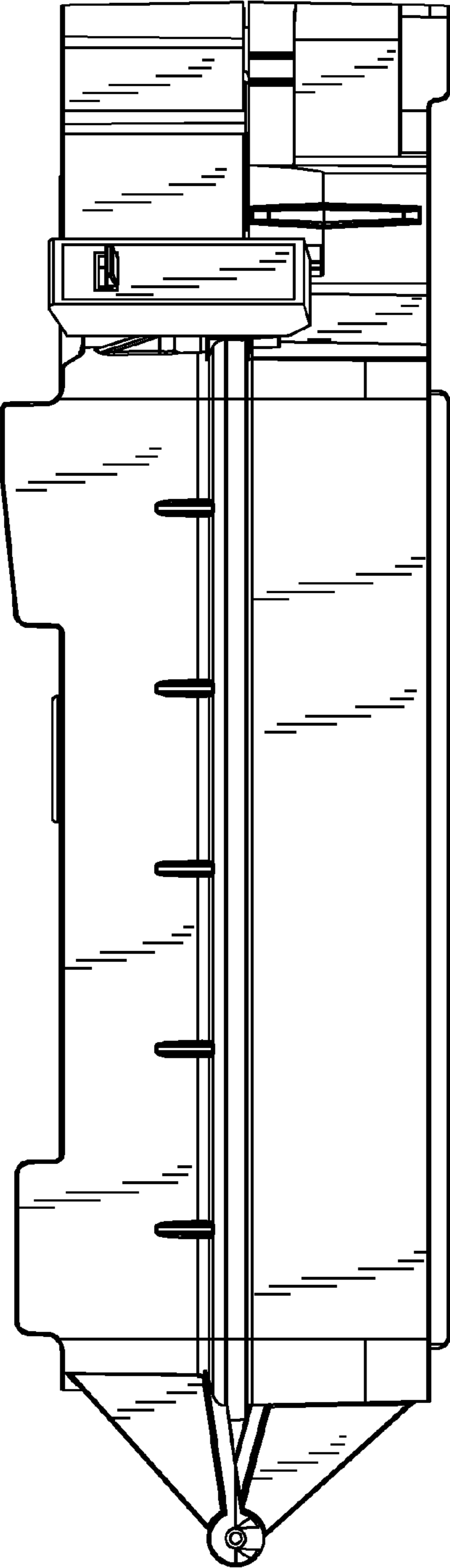


FIG. 8

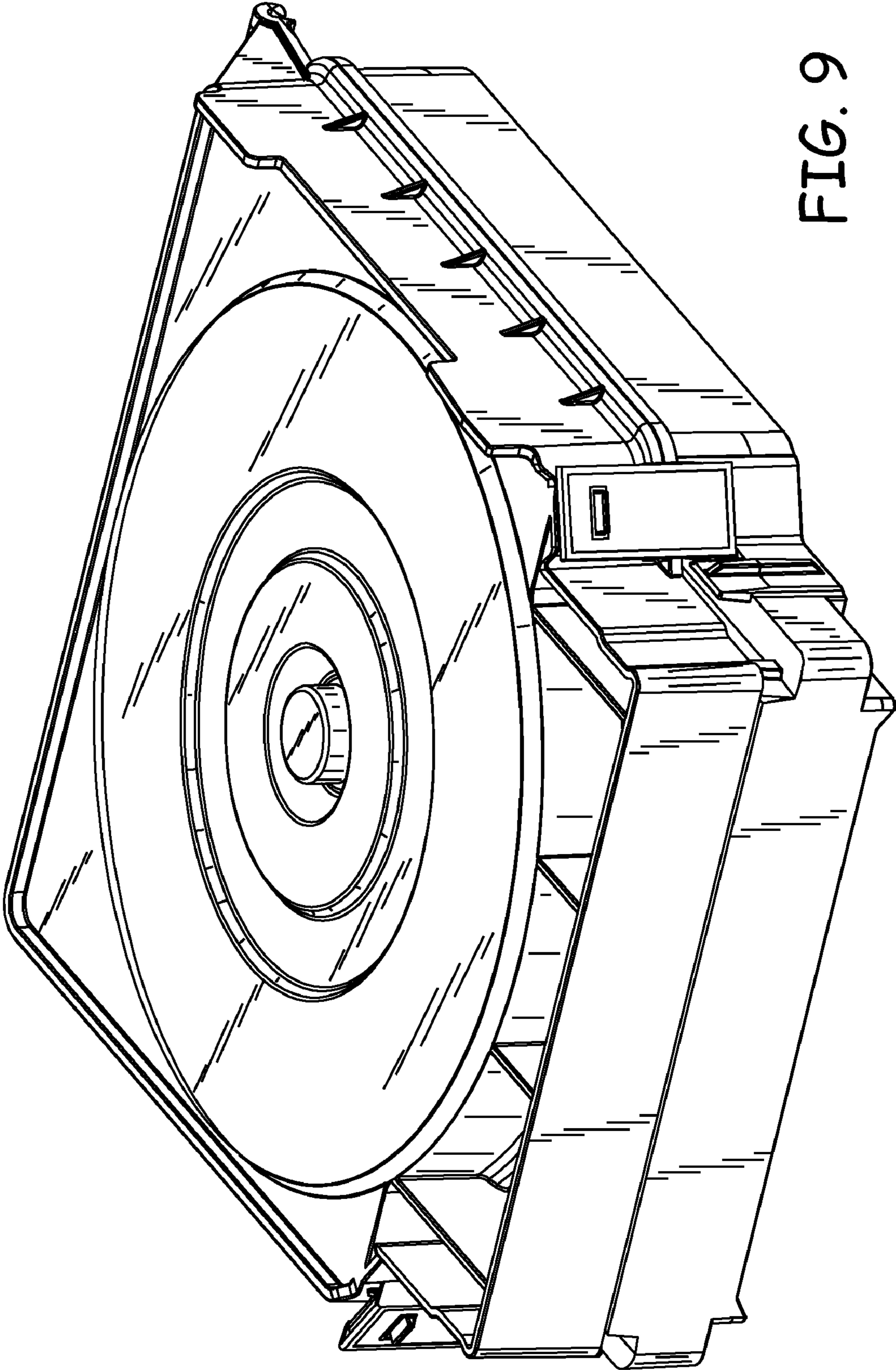


FIG. 9

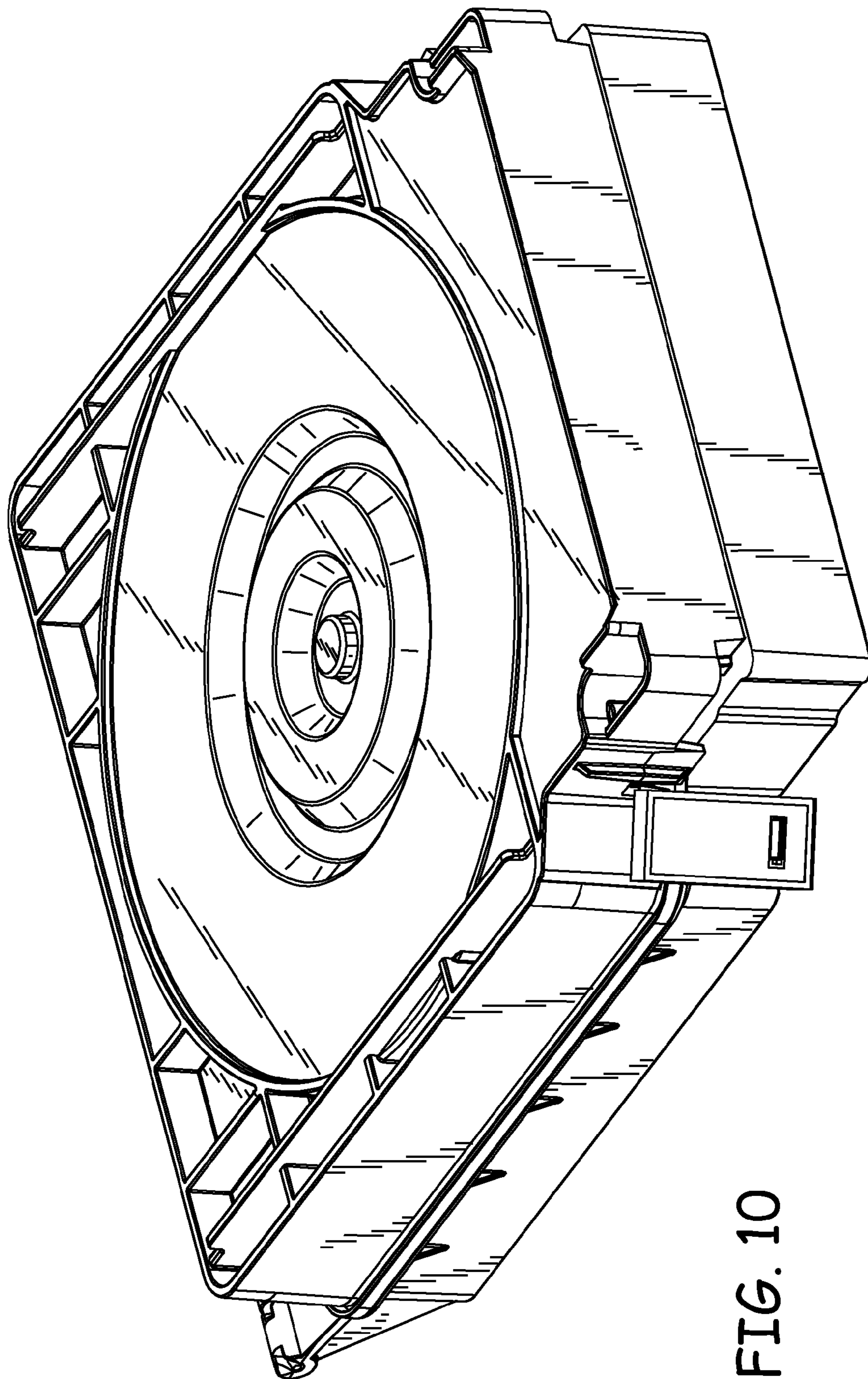


FIG. 10

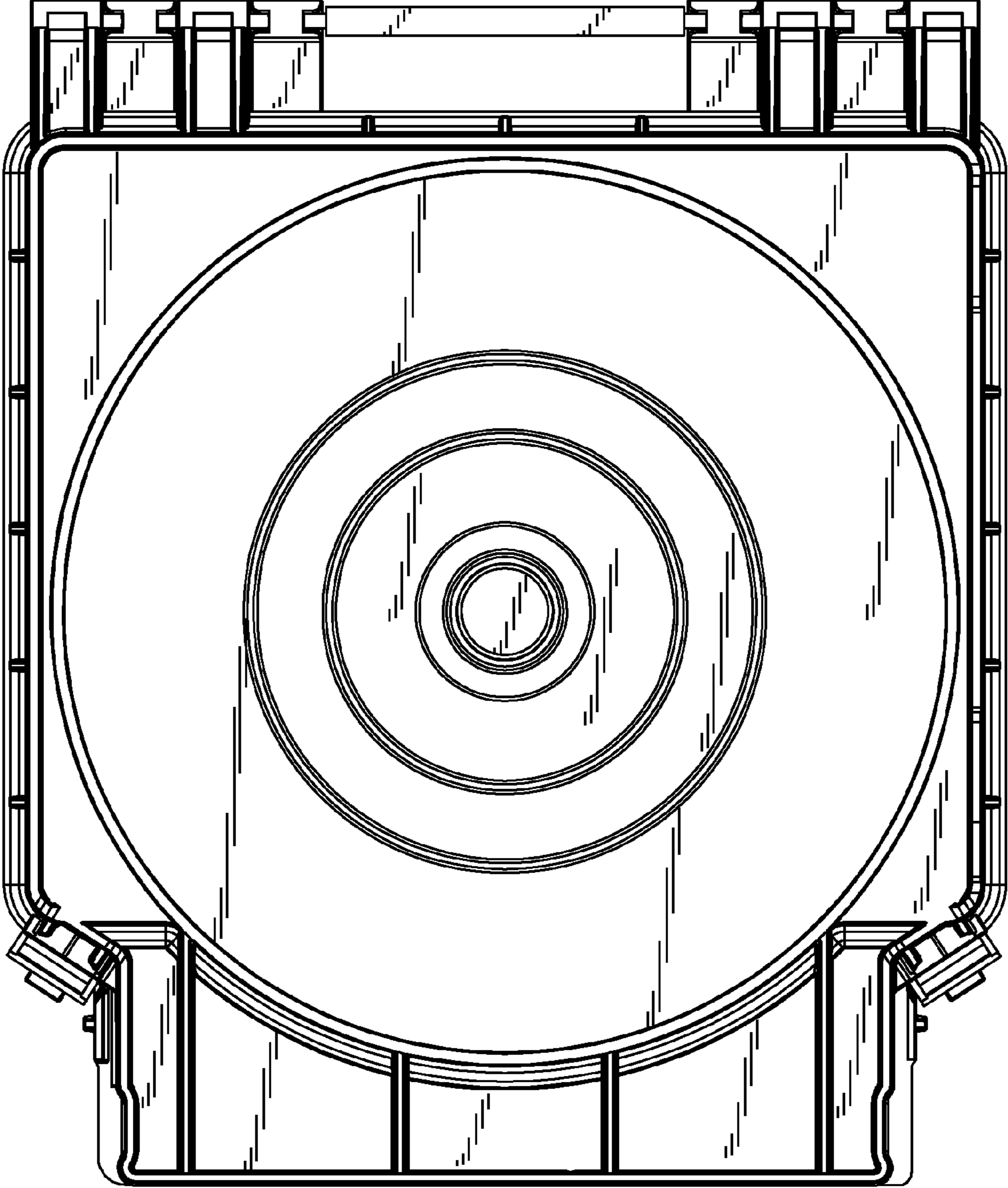


FIG. 11

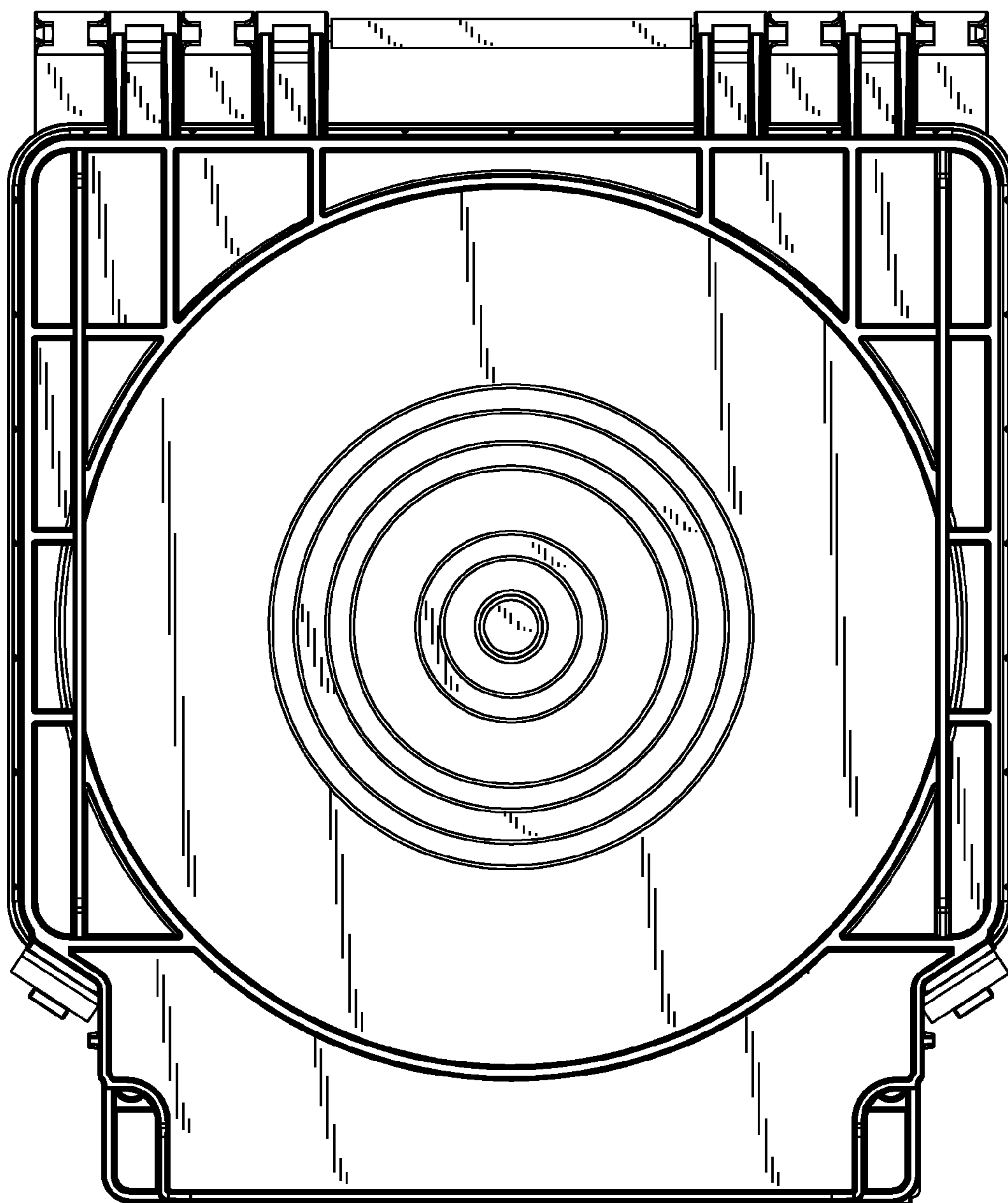


FIG. 12

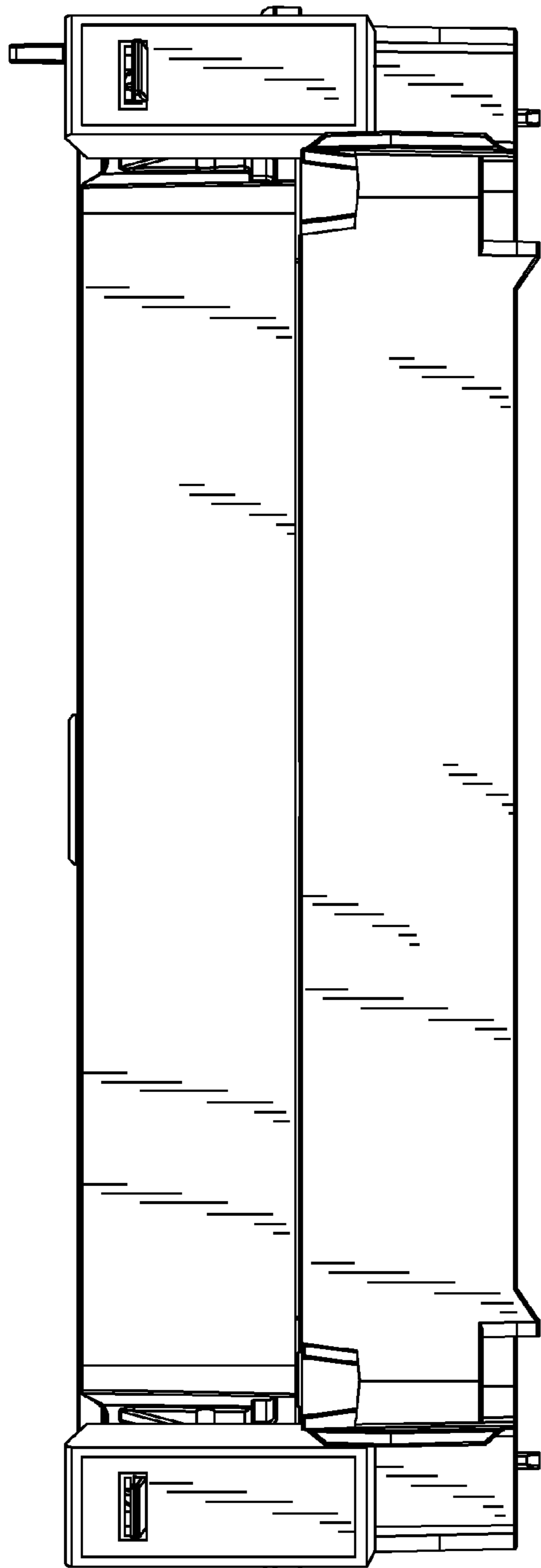


FIG. 13

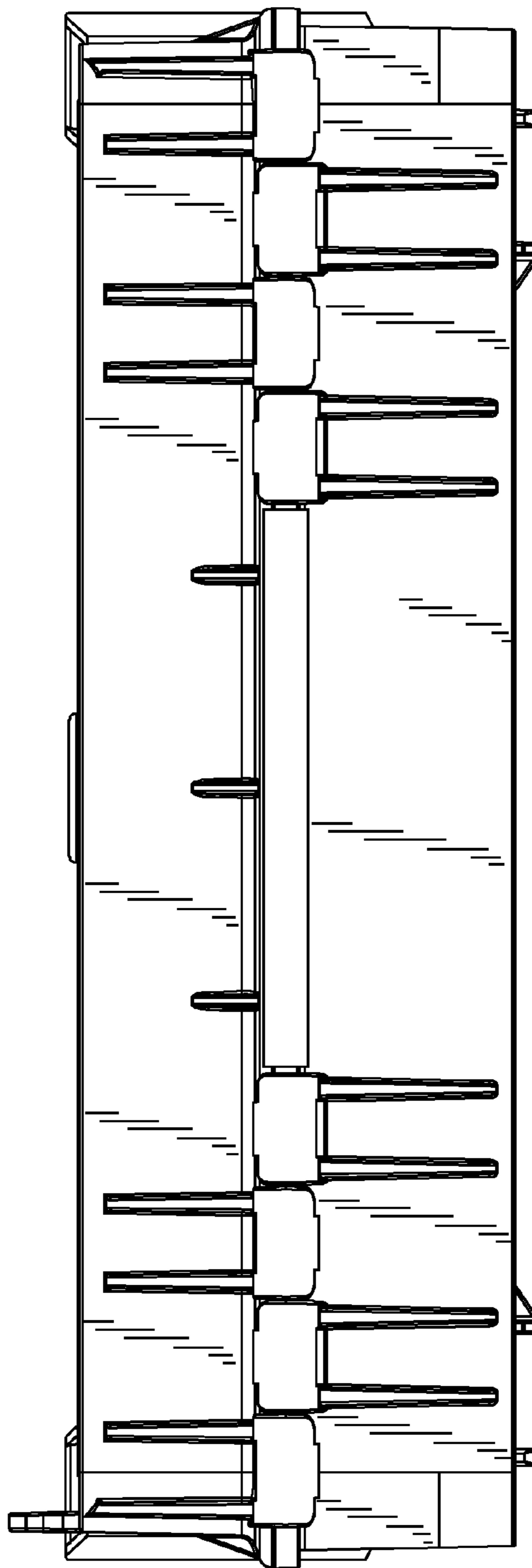


FIG. 14

FIG. 15

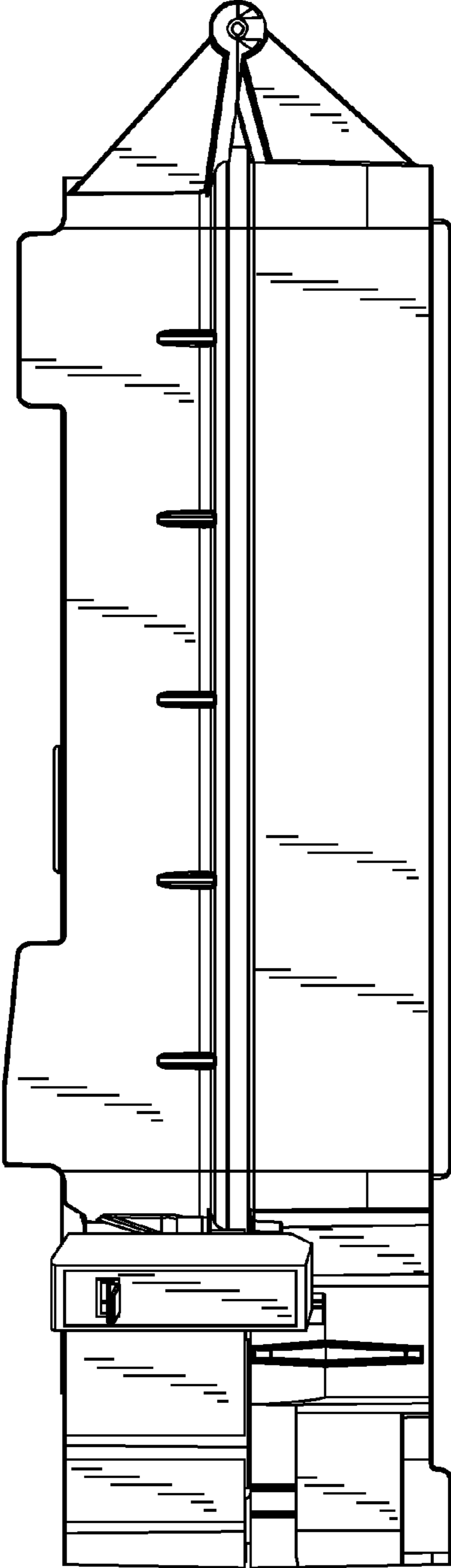
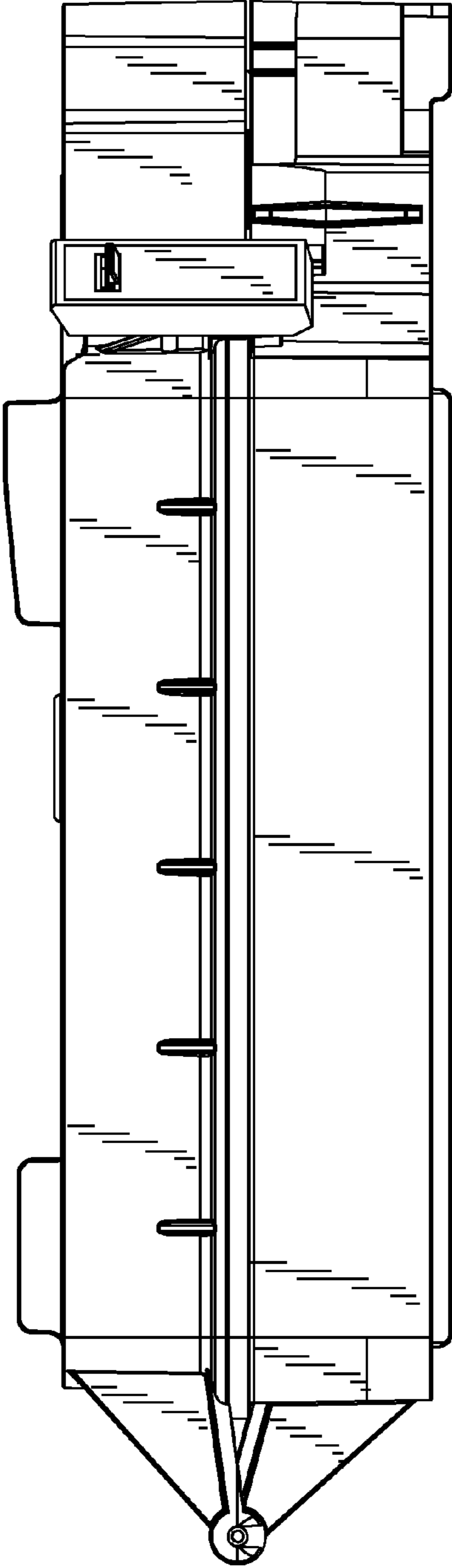


FIG. 16