



US00D598920S

(12) **United States Design Patent**  
**Fujino et al.**

(10) **Patent No.:** **US D598,920 S**

(45) **Date of Patent:** **\*\* Aug. 25, 2009**

(54) **STAND FOR PORTABLE TERMINAL**

(75) Inventors: **Takaki Fujino**, Kyoto (JP); **Kochi Kawai**, Kyoto (JP)

(73) Assignee: **Nintendo Co. Ltd.**, Kyoto (JP)

(\*\*) Term: **14 Years**

(21) Appl. No.: **29/329,261**

(22) Filed: **Dec. 11, 2008**

**Related U.S. Application Data**

(62) Division of application No. 29/287,721, filed on Sep. 12, 2007, now Pat. No. Des. 588,139.

(30) **Foreign Application Priority Data**

Mar. 12, 2007 (JP) ..... 2007-006296

Mar. 12, 2007 (JP) ..... 2007-006297

(51) **LOC (9) Cl.** ..... **08-07**

(52) **U.S. Cl.** ..... **D14/447**

(58) **Field of Classification Search** ..... D14/447,  
D14/448, 451, 452, 457, 459, 460, 461, 239,  
D14/251, 253, 224.1, 125, 126, 432, 434,  
D14/439, 371-382; D8/354, 363, 373, 380;  
D19/90, 91; D18/4.4, 4.5, 4.6, 12; D6/300,  
D6/310, 312, 313, 314, 449, 512, 406.3, 406.4,  
D6/406.5, 406.6; D13/139.5, 108; D21/333;  
D10/74; D12/415; 248/917-924, 675, 676,  
248/678, 447, 122.1, 176.1, 176.3, 205.5,  
248/205.8, 324; 312/323.3; 379/446, 454,  
379/455; 361/679.02, 679.06, 679.07, 679.21,  
361/679.22, 679.24, 679.26, 679.3, 679.46,  
361/679.49, 679.55, 679.56, 679.58, 679.6,  
361/693, 697, 809, 810, 825, 827; D16/242;  
108/43

See application file for complete search history.

(56) **References Cited**

**U.S. PATENT DOCUMENTS**

1,659,509 A \* 2/1928 Ashbrook ..... 211/50

D165,194 S \* 11/1951 Schiffer ..... D6/473

D260,455 S \* 9/1981 Haswell ..... D6/630

D275,058 S \* 8/1984 Flum ..... D6/467  
D284,777 S \* 7/1986 Anthony ..... D19/91  
4,685,647 A \* 8/1987 Calhoun ..... 248/444.1  
4,765,583 A \* 8/1988 Tenner ..... 248/444  
D316,347 S \* 4/1991 Getto ..... D6/467  
D323,533 S \* 1/1992 Williams ..... D19/76  
D330,705 S \* 11/1992 Gowda et al. .... D14/447  
D354,520 S \* 1/1995 Pong ..... D19/88  
D375,298 S \* 11/1996 Calfee ..... D14/451  
D408,388 S \* 4/1999 Wiggins ..... D14/457  
D414,166 S \* 9/1999 De Paris ..... D14/447  
D431,176 S \* 9/2000 Zarnoti et al. .... D8/354  
D465,785 S \* 11/2002 Goto ..... D14/447  
D487,651 S \* 3/2004 Bloch et al. .... D6/474  
D513,008 S \* 12/2005 Takizawa et al. .... D14/447  
D564,763 S \* 3/2008 Yue ..... D6/313  
D571,815 S \* 6/2008 Chung ..... D14/447  
D583,821 S \* 12/2008 Richter ..... D14/447  
D588,139 S \* 3/2009 Fujino et al. .... D14/447  
2008/0061207 A1 \* 3/2008 Panziera et al. .... 248/346.01

\* cited by examiner

*Primary Examiner*—Jennifer Rivard

*Assistant Examiner*—Angela J Lee

(74) *Attorney, Agent, or Firm*—Nixon & Vanderhye, P.C.

(57) **CLAIM**

The ornamental design for a stand for portable terminal, as shown and described.

**DESCRIPTION**

FIG. 1 is a front, top and right perspective view of a stand for portable terminal showing our new design;

FIG. 2 is a rear, bottom and left perspective view thereof;

FIG. 3 is a front view thereof;

FIG. 4 is a rear view thereof;

FIG. 5 is a top plan view thereof;

FIG. 6 is a bottom plan view thereof; and,

FIG. 7 is a right side view thereof, a left side view being a mirror image thereof.

**1 Claim, 3 Drawing Sheets**

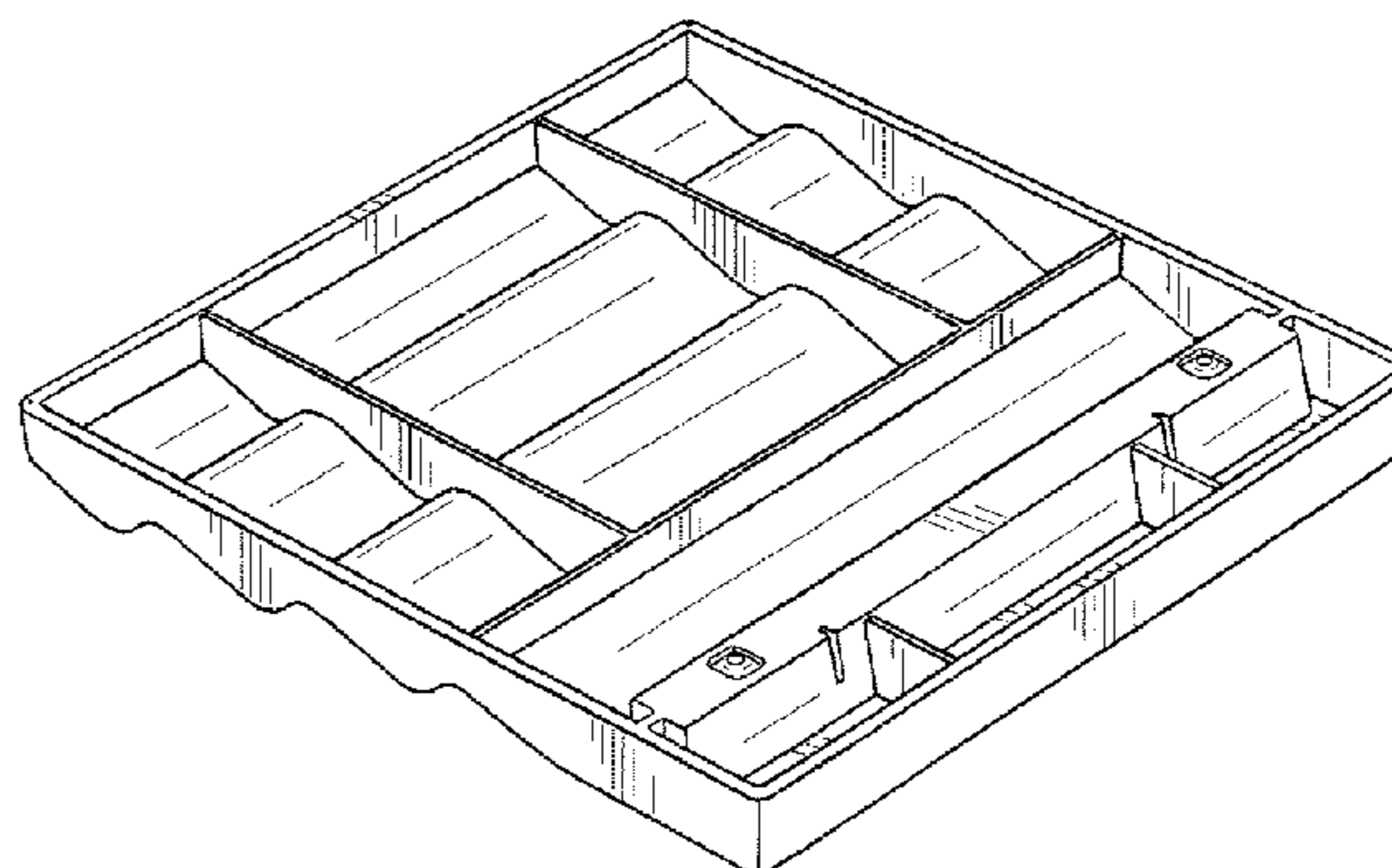
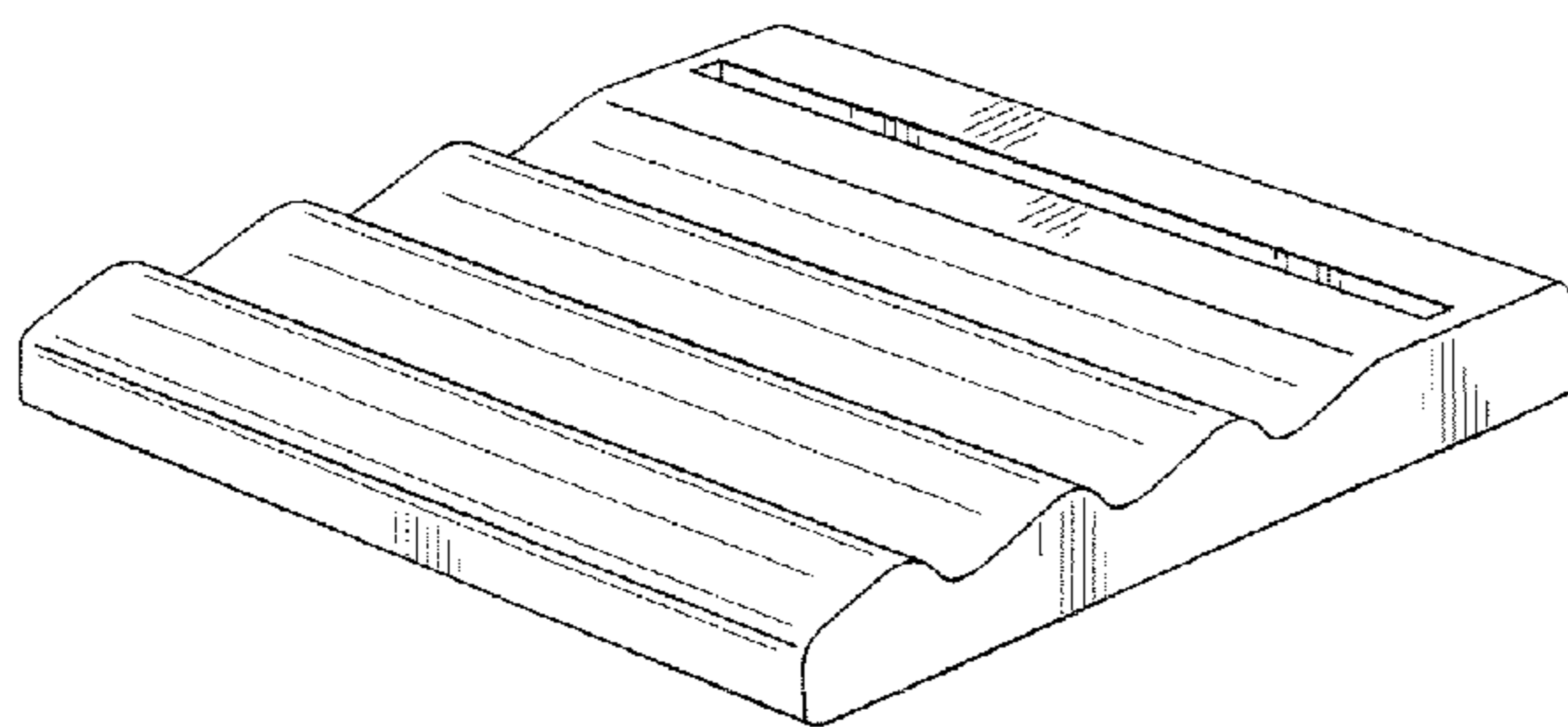


FIG. 1

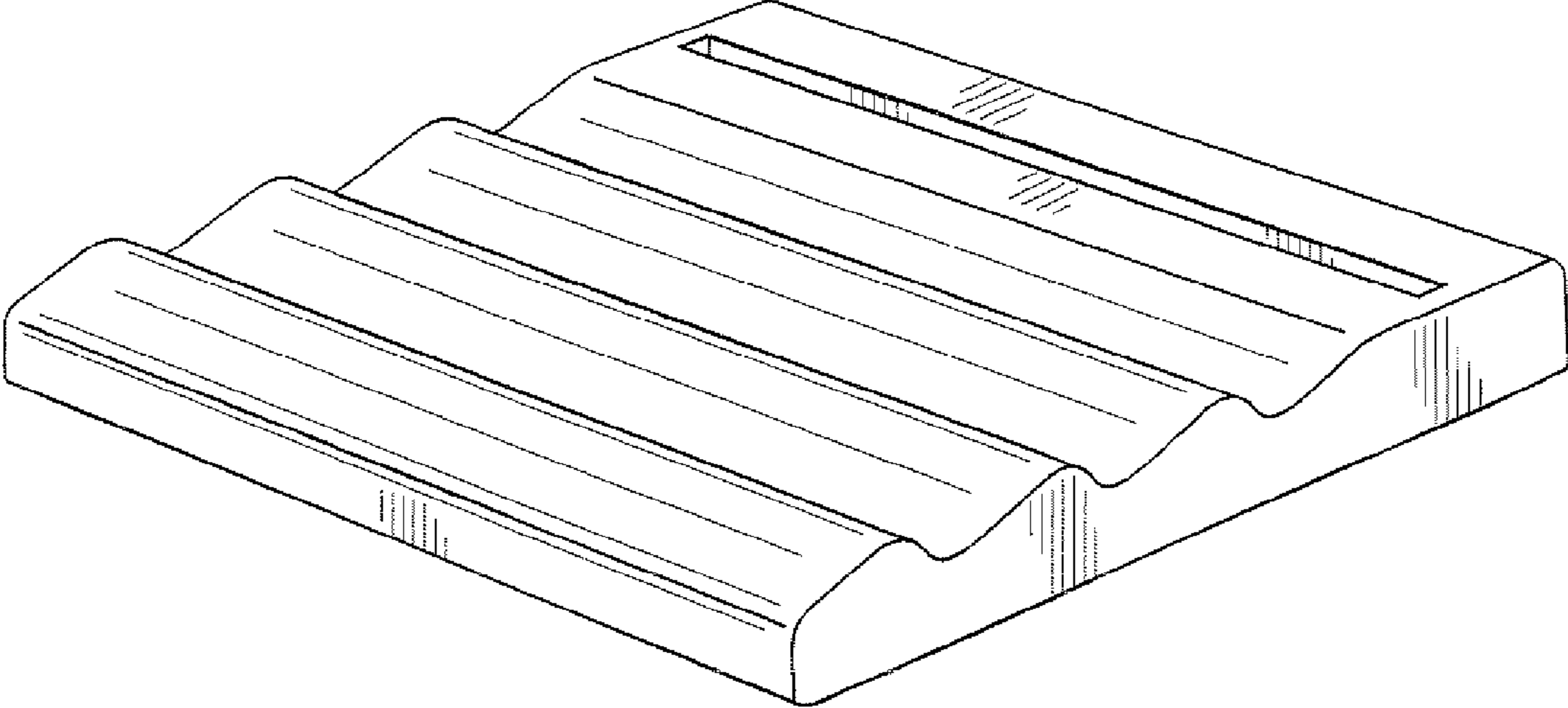


FIG. 2

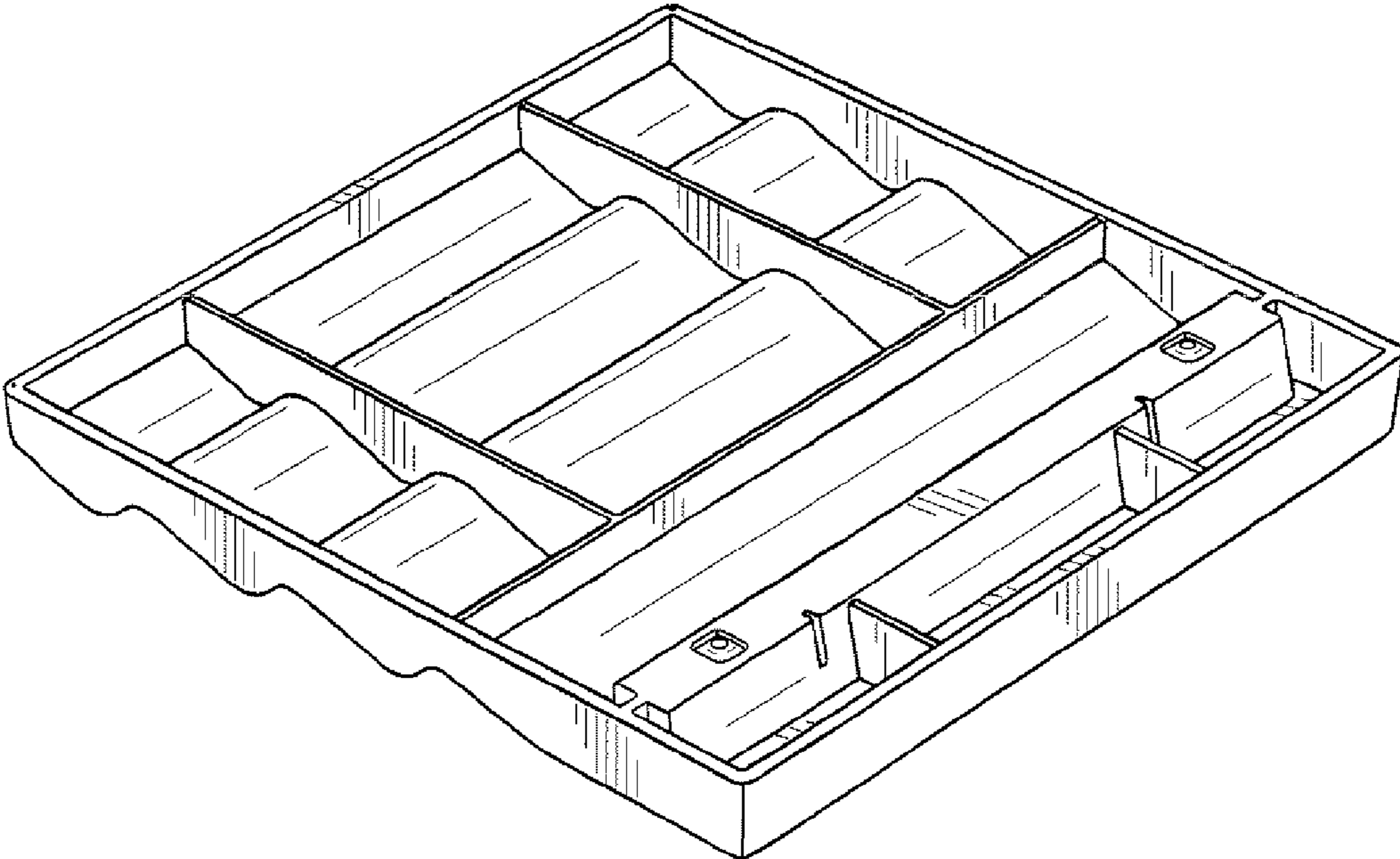


FIG. 3

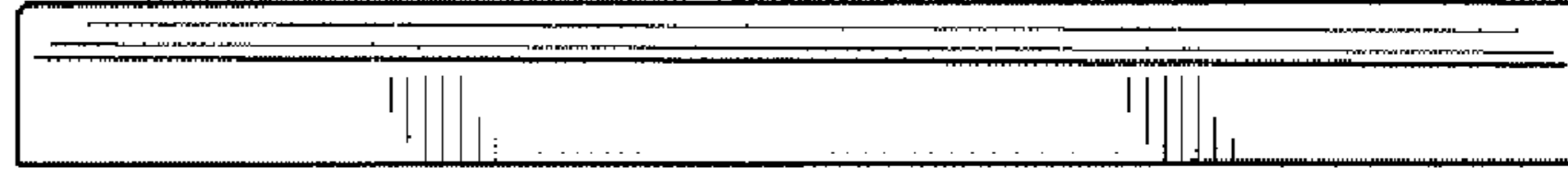


FIG. 4



FIG. 5

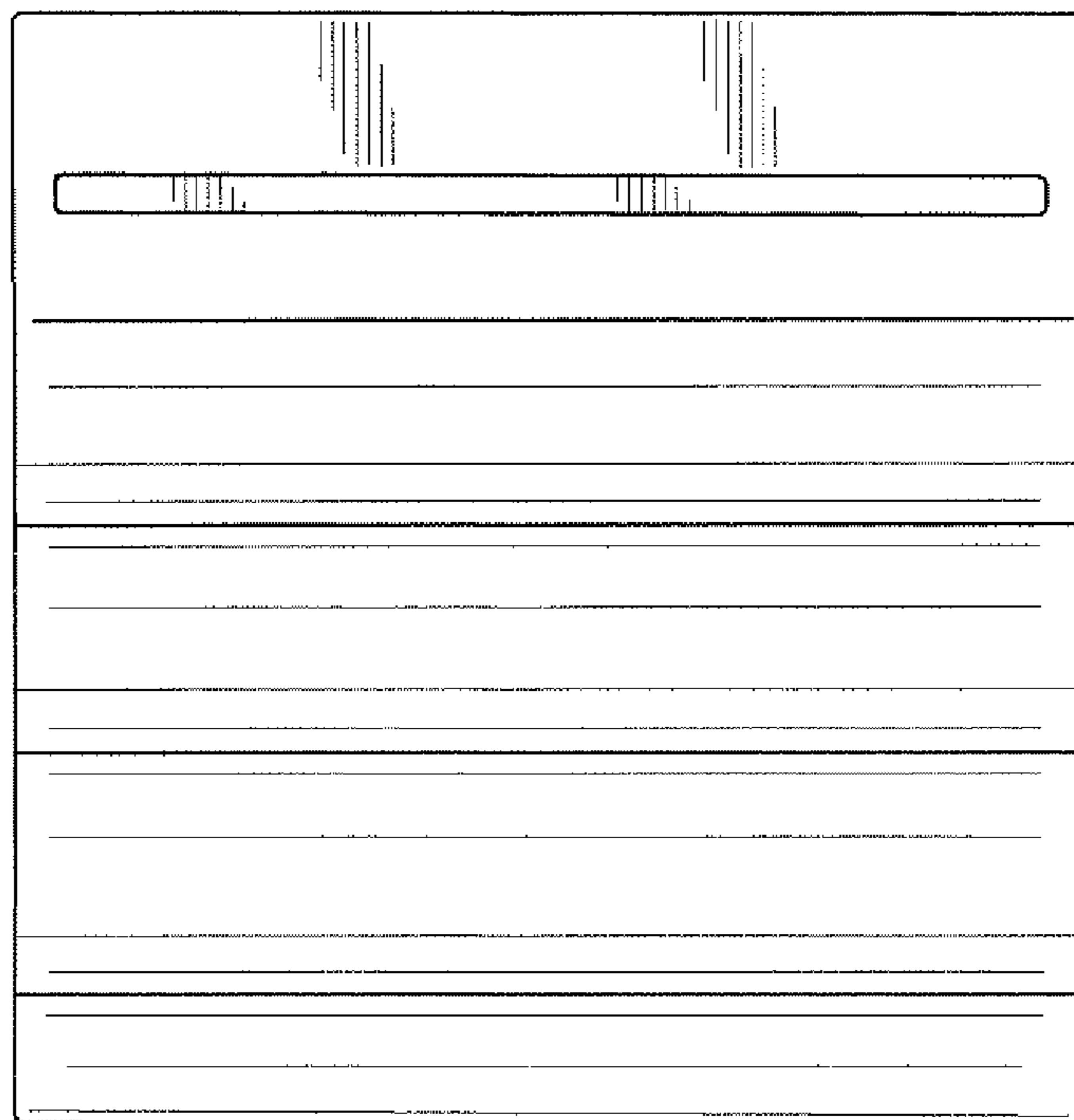


FIG. 6

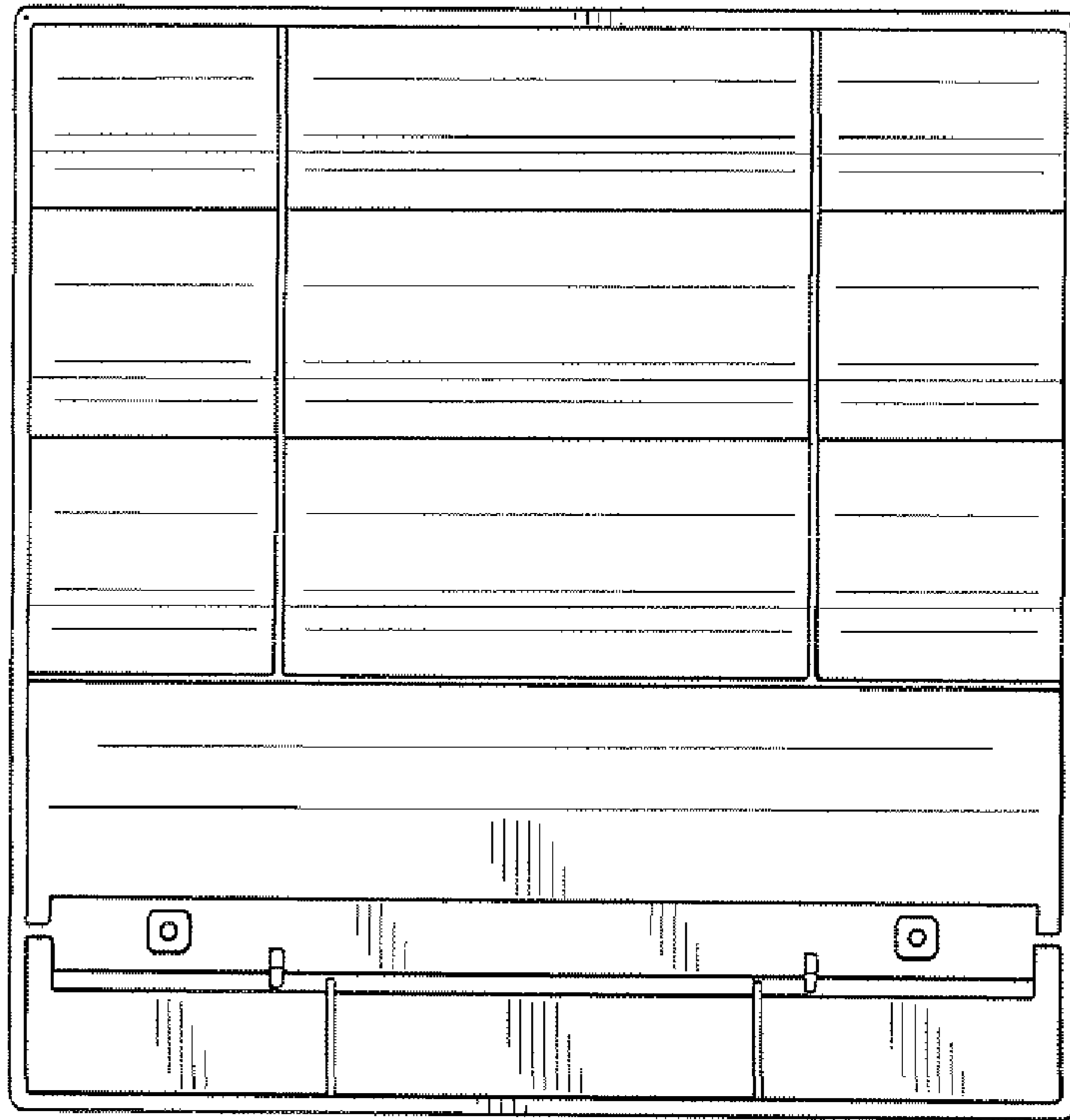


FIG. 7

