



US00D598917S

(12) **United States Design Patent**
Luber

(10) **Patent No.:** **US D598,917 S**

(45) **Date of Patent:** **** Aug. 25, 2009**

(54) **DISPLAY MONITOR WITH SUPPORT ARM**

(75) Inventor: **Joachim Luber**, St. Margrethen (CH)

(73) Assignee: **Swiss Medical Technology, GmbH**,
Widnau (CH)

(**) Term: **14 Years**

(21) Appl. No.: **29/293,965**

(22) Filed: **Dec. 19, 2007**

(51) **LOC (9) Cl.** **14-02**

(52) **U.S. Cl.** **D14/375; D14/452**

(58) **Field of Classification Search** D14/371-375,
D14/125-129, 452; 345/104, 156, 168, 173,
345/901-905; 348/180, 184, 325, 837; 248/918-924,
248/121, 184.1, 284.1, 278.1, 274.1; 349/1,
349/2, 11, 62; 341/12; 700/94

See application file for complete search history.

(56) **References Cited**

U.S. PATENT DOCUMENTS

D275,431 S * 9/1984 Usab D14/452
4,729,533 A * 3/1988 Hillary et al. 248/184.1
5,179,447 A * 1/1993 Lain 348/837
D386,158 S * 11/1997 Rosen D14/375

6,019,332 A * 2/2000 Sweere et al. 248/284.1
6,179,263 B1 * 1/2001 Rosen et al. 248/278.1
D486,486 S * 2/2004 Jobs et al. D14/371
D509,826 S * 9/2005 Jobs et al. D14/371
D544,489 S * 6/2007 Oddsen et al. D14/452
D555,657 S * 11/2007 Loyd D14/452
2002/0011544 A1 * 1/2002 Bosson 248/121
2002/0188363 A1 * 12/2002 Ashy 700/94
2005/0230585 A1 * 10/2005 Hung 248/278.1
2006/0266903 A1 * 11/2006 Oddsen et al. 248/274.1

* cited by examiner

Primary Examiner—Freda S Nunn

(74) *Attorney, Agent, or Firm*—Olson & Cepuritis, Ltd.

(57) **CLAIM**

The ornamental design for a display monitor with support arm, as shown and described.

DESCRIPTION

FIG. 1 is a right side perspective view of a display monitor with support arm;

FIG. 2 is a left side perspective view thereof;

FIG. 3 is a top plan view thereof; and,

FIG. 4 is right elevation view thereof.

1 Claim, 2 Drawing Sheets

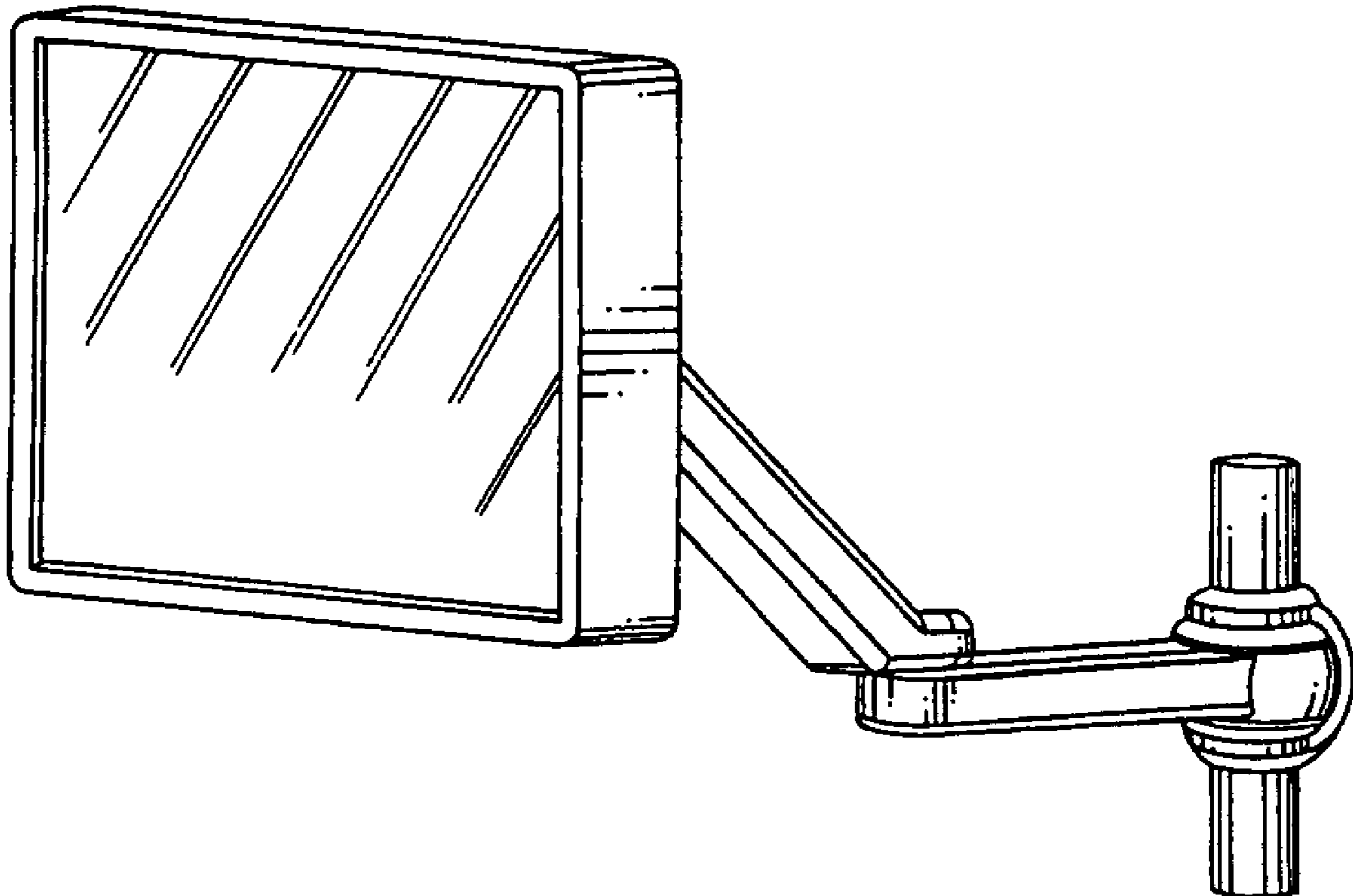


Fig. 1

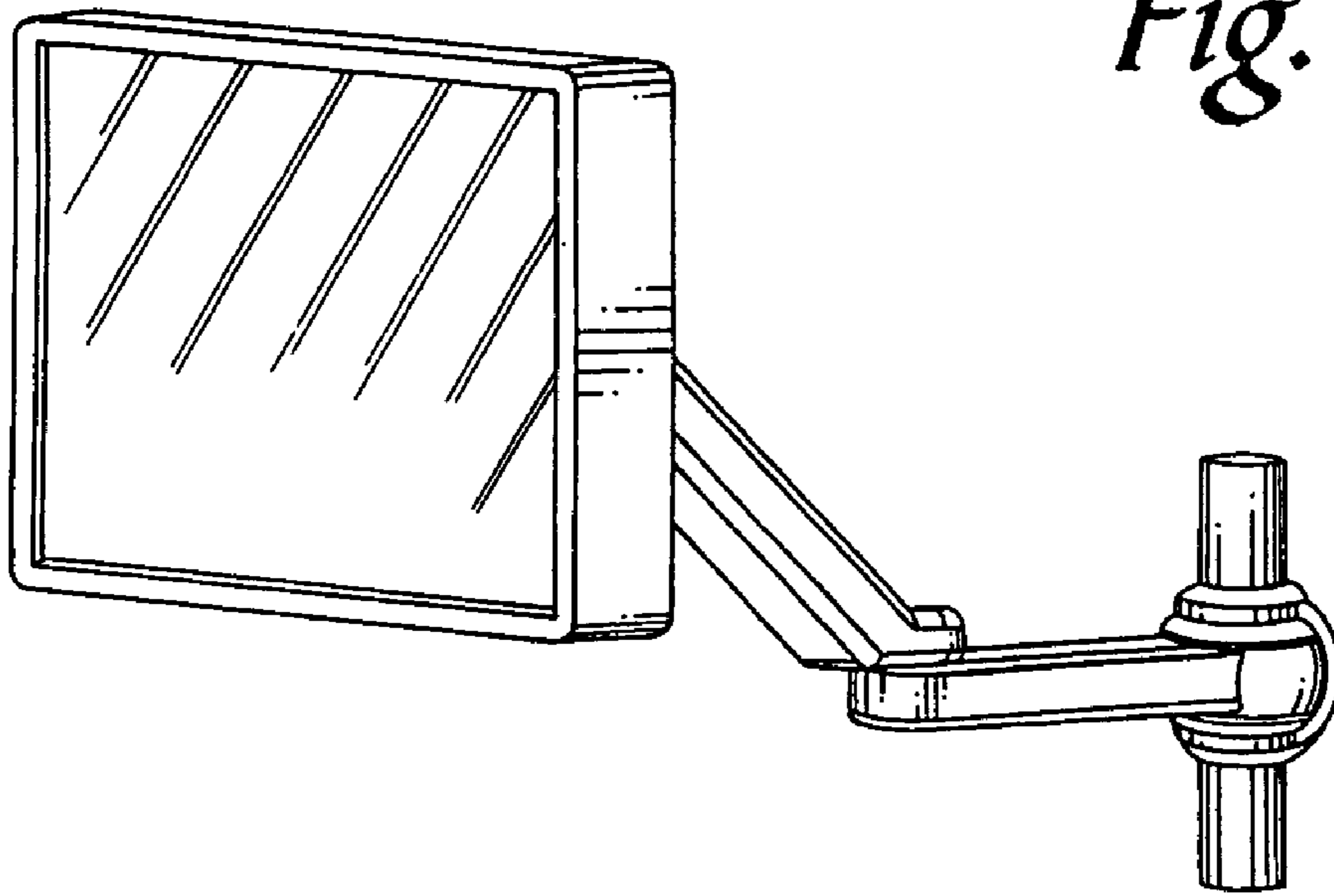


Fig. 2

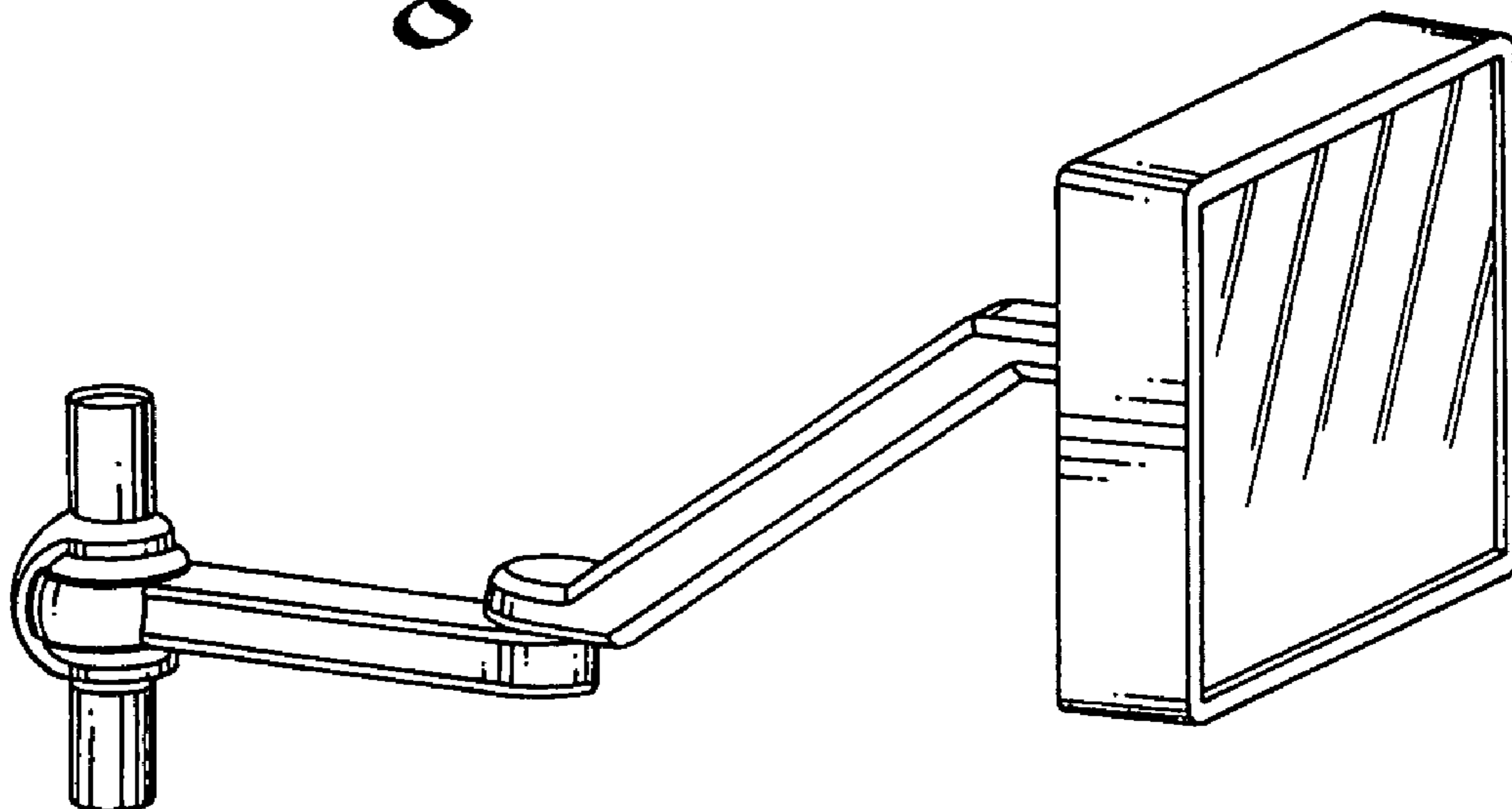


Fig. 3

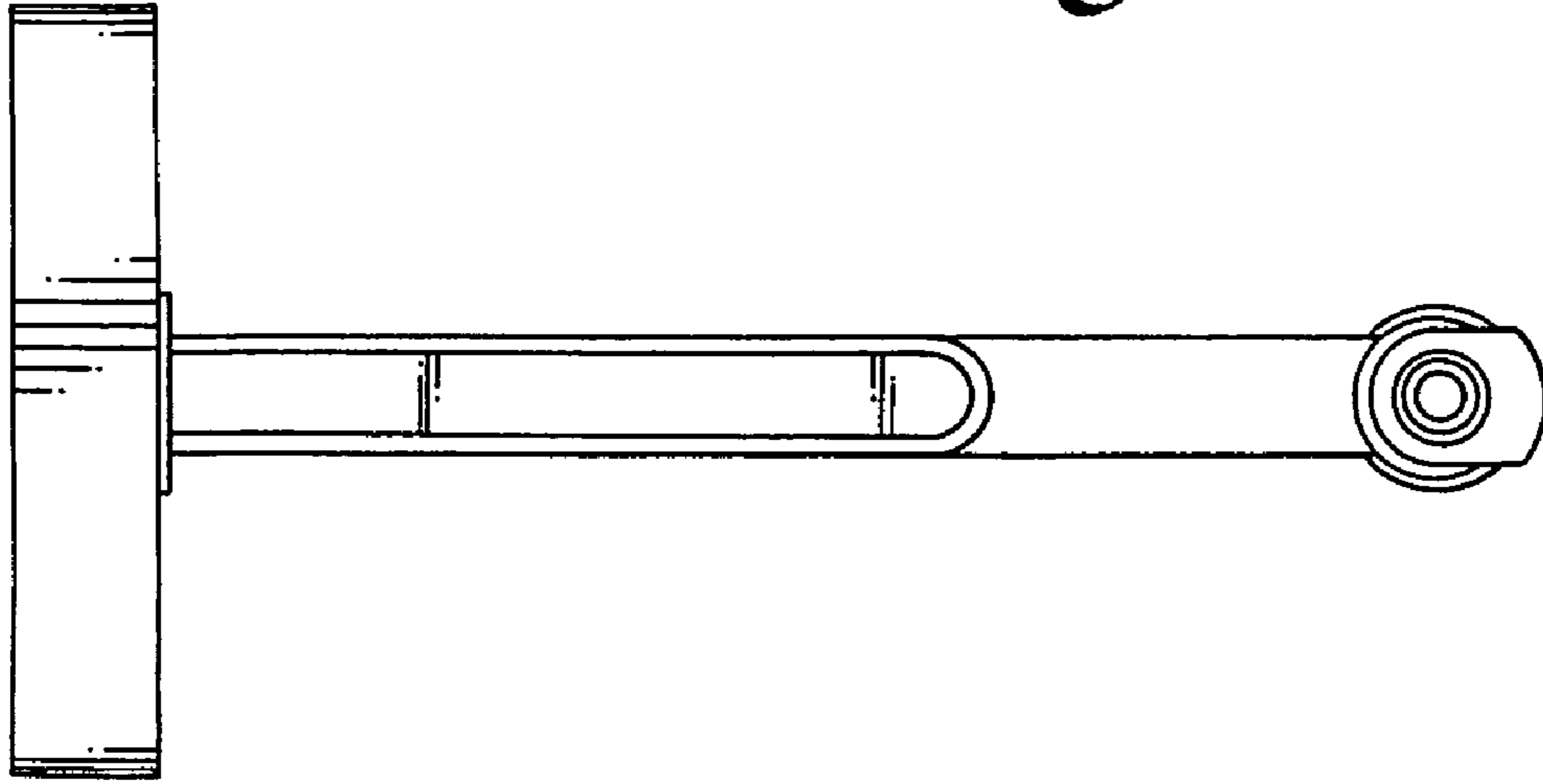


Fig. 4

