



US00D598914S

(12) **United States Design Patent**  
**Song et al.**

(10) **Patent No.:** **US D598,914 S**

(45) **Date of Patent:** **\*\* Aug. 25, 2009**

(54) **MOBILE PERSONAL COMPUTER**

(75) Inventors: **Bong-Kyu Song**, Seoul (KR); **Joon-Suh Kim**, Anyang-si (KR); **Chang-Hwan Hwang**, Goyang-si (KR)

(73) Assignee: **Samsung Electronics Co., Ltd.**,  
Maetan-dong, Yeongtong-gu, Suwon-si,  
Gyeonggi-do (KR)

(\*\*) Term: **14 Years**

(21) Appl. No.: **29/332,340**

(22) Filed: **Feb. 13, 2009**

(51) **LOC (9) Cl.** ..... **14-02**

(52) **U.S. Cl.** ..... **D14/345**

(58) **Field of Classification Search** ..... D14/341-347,  
D14/138, 454-456, 391, 218, 327, 338, 387,  
D14/390, 399, 426, 429, 432, 439, 137, 247,  
D14/496, 125, 126, 129, 318, 326, 248; D18/7;  
D13/168; D21/517, 329, 330, 331; D19/26;  
455/556.1, 556.2, 566, 575.1; 361/680; 345/169;  
379/433.04, 433.06, 433.07, 433.11, 433.12,  
379/433.13; 348/14.02

See application file for complete search history.

(56) **References Cited**

**U.S. PATENT DOCUMENTS**

- 7,016,182 B2 \* 3/2006 Brandenburg et al. .. 361/679.06
- D577,704 S \* 9/2008 Park et al. .... D14/138 AD
- D578,983 S \* 10/2008 Bang et al. .... D14/138 AD
- D578,987 S \* 10/2008 Lee et al. .... D14/138 AD
- D580,392 S \* 11/2008 Kim et al. .... D14/138 AD
- D580,401 S \* 11/2008 Kim et al. .... D14/138 AD
- D580,930 S \* 11/2008 Chien et al. .... D14/346
- D587,668 S \* 3/2009 Bang et al. .... D14/138 AD
- D589,021 S \* 3/2009 Millora ..... D14/138 AD
- D592,212 S \* 5/2009 Hamada et al. .... D14/346

D594,454 S \* 6/2009 Honda ..... D14/345  
2008/0198136 A1 \* 8/2008 Cheng et al. .... 345/168

\* cited by examiner

*Primary Examiner*—Cathron C Brooks

*Assistant Examiner*—Barbara Fox

(74) *Attorney, Agent, or Firm*—Lexyoume IP Group, LLC

(57) **CLAIM**

The ornamental design for a mobile personal computer, as shown and described.

**DESCRIPTION**

FIG. 1 is a perspective view of a mobile personal computer showing our new design;

FIG. 2 is a front elevational view thereof;

FIG. 3 is a rear elevational view thereof;

FIG. 4 is a left side elevational view thereof;

FIG. 5 is a right side elevational view thereof;

FIG. 6 is a top plan view thereof;

FIG. 7 is a bottom plan view thereof;

FIG. 8 is a perspective view of the mobile personal computer showing our new design in a state in which the mobile personal computer is open when used;

FIG. 9 is a rear perspective view of the mobile personal computer showing our new design in a state in which the mobile personal computer is supported by the stylus pen when used; and,

FIG. 10 is a front elevational view of the mobile personal computer showing our new design in a state in which the mobile personal computer is open when used.

The broken lines in the drawings are for illustrative purpose only and form no part of the claimed design.

**1 Claim, 9 Drawing Sheets**

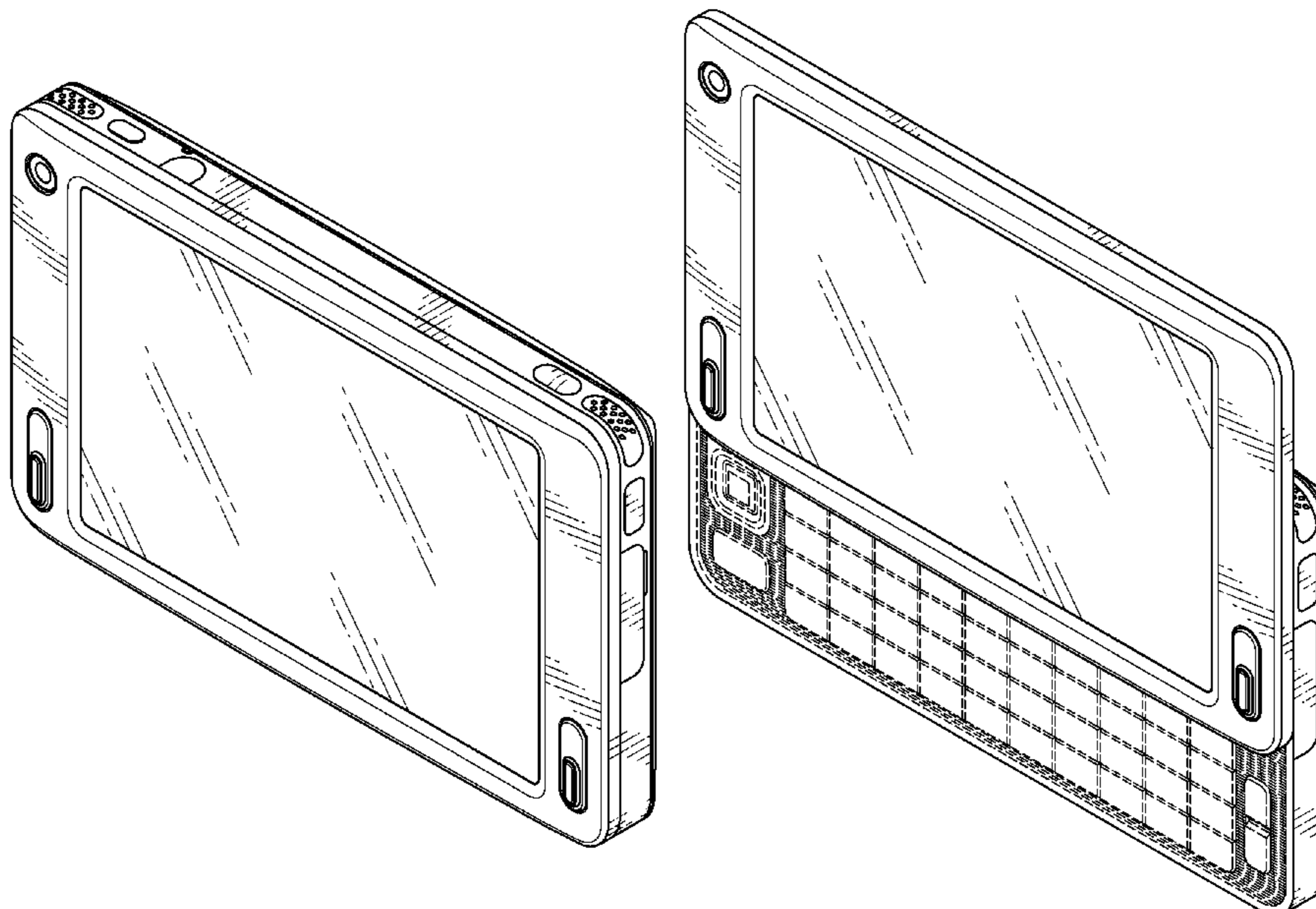


FIG. 1

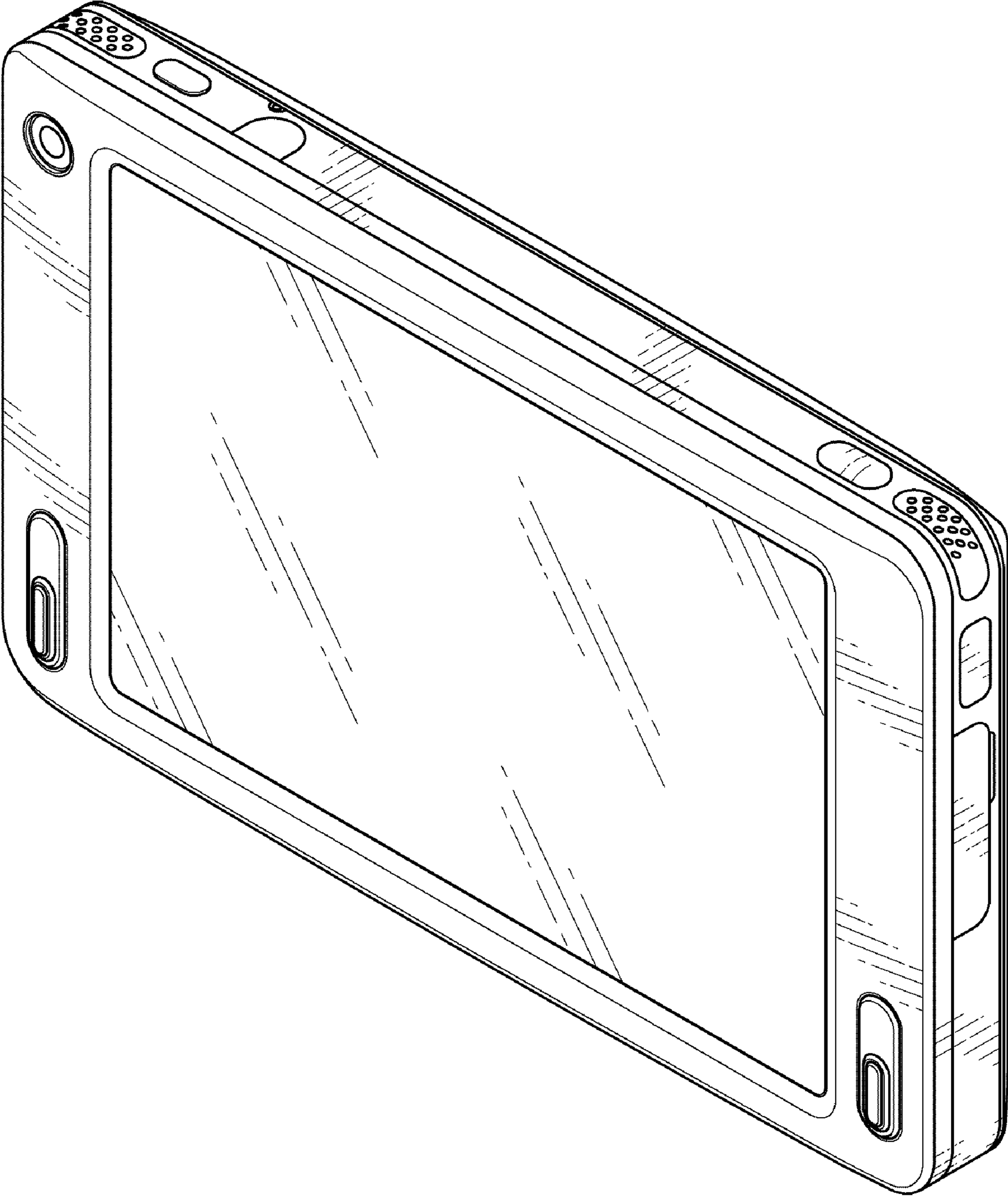


FIG. 2

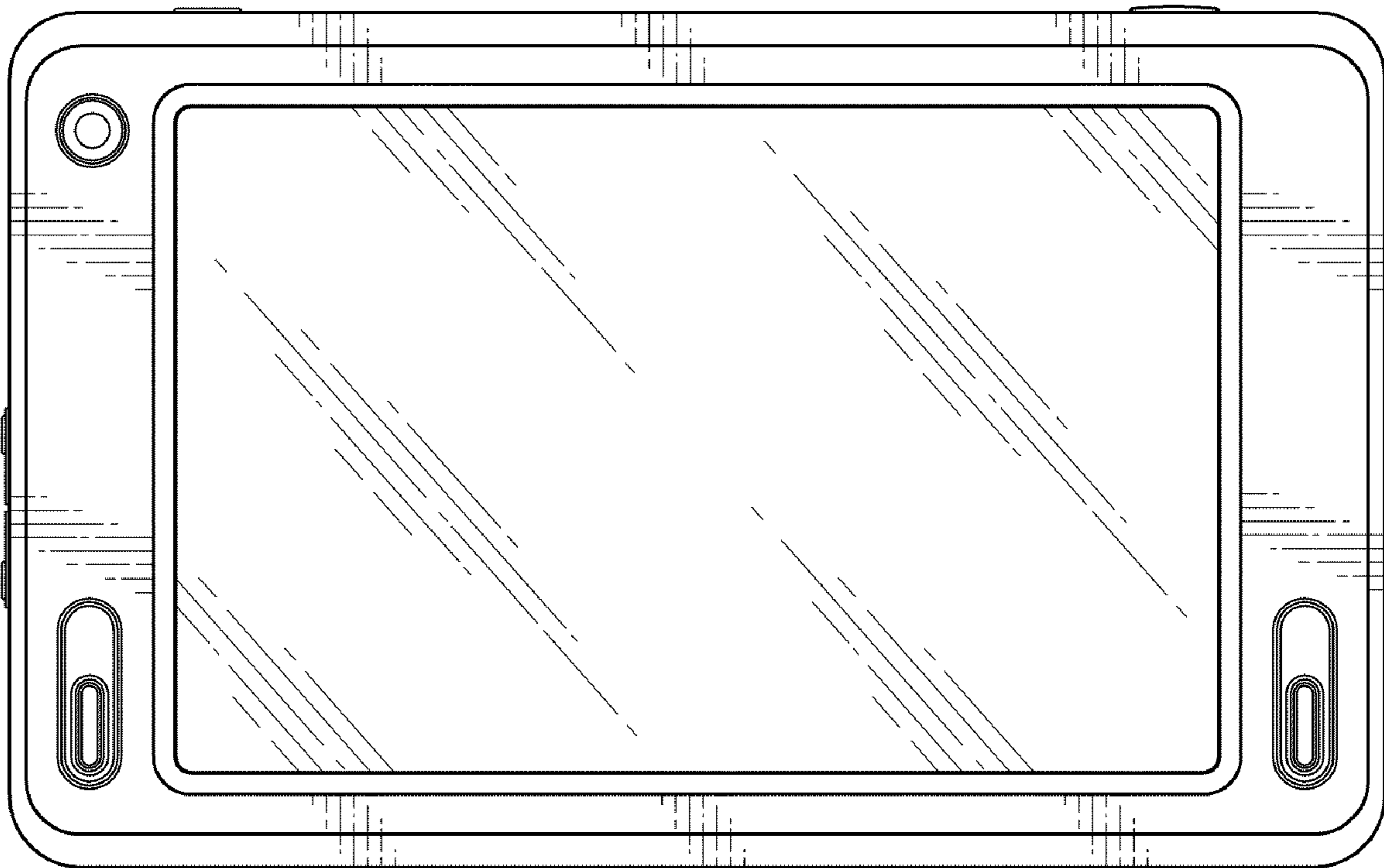
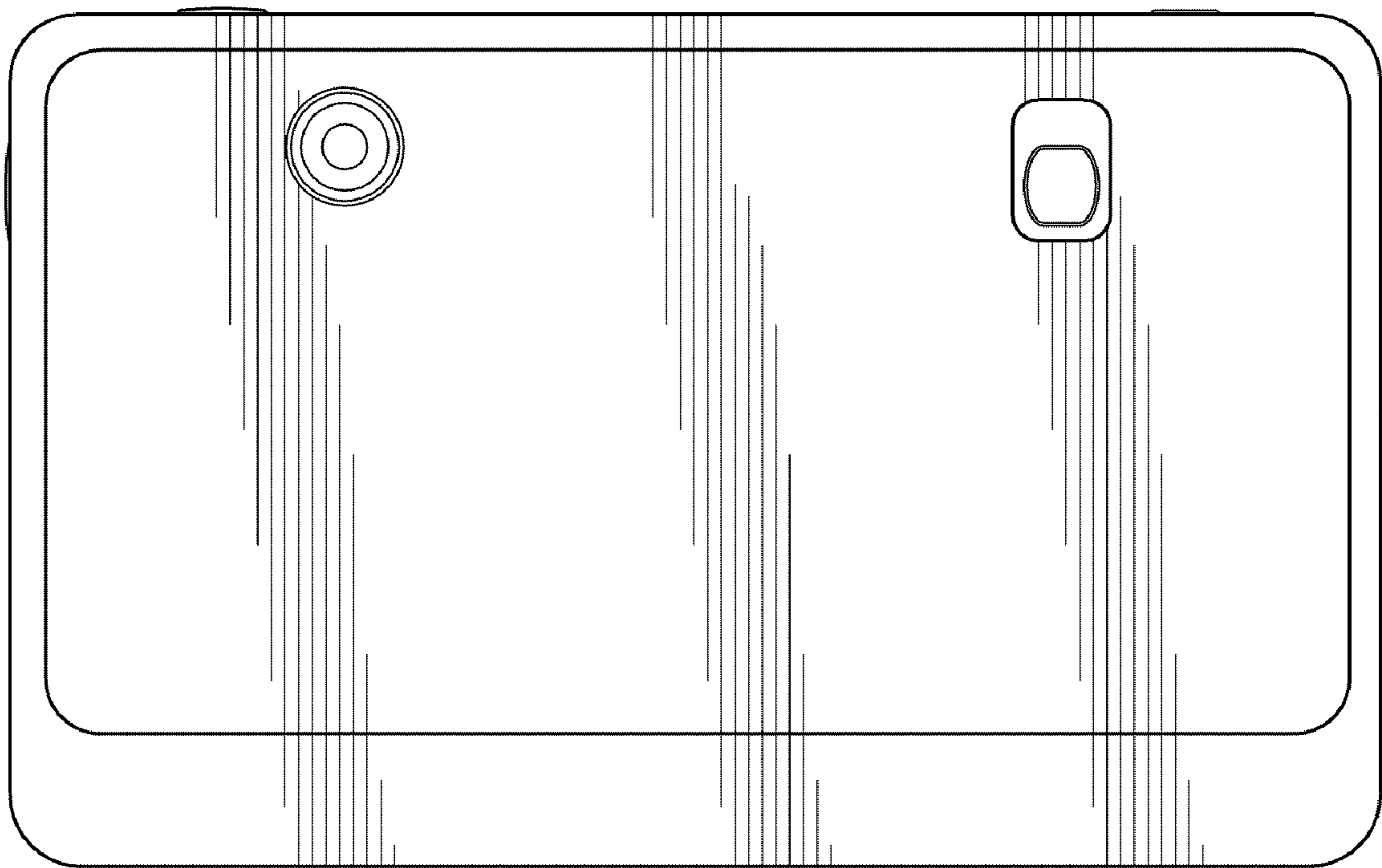
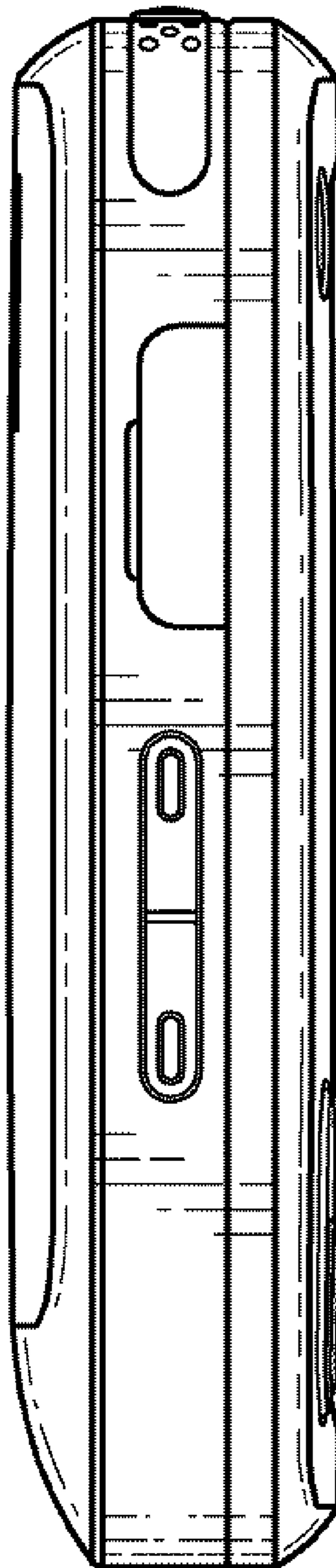


FIG. 3



# FIG. 4



# FIG. 5

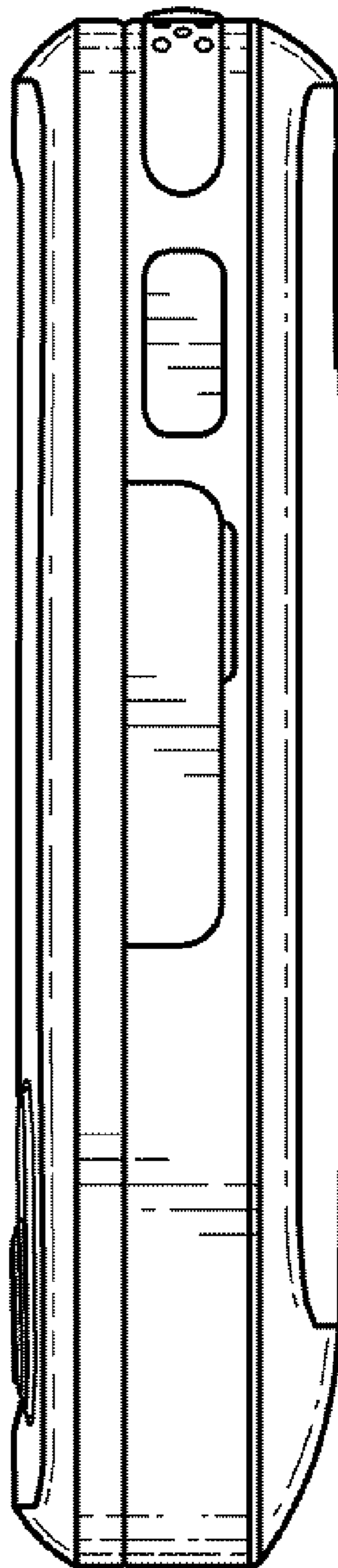


FIG. 6

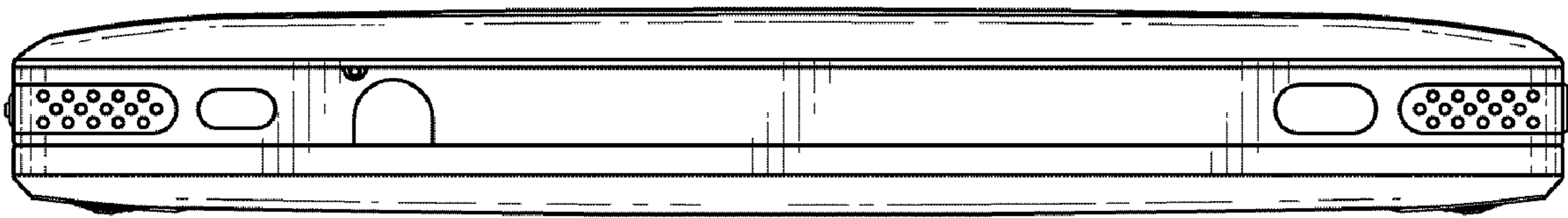


FIG. 7

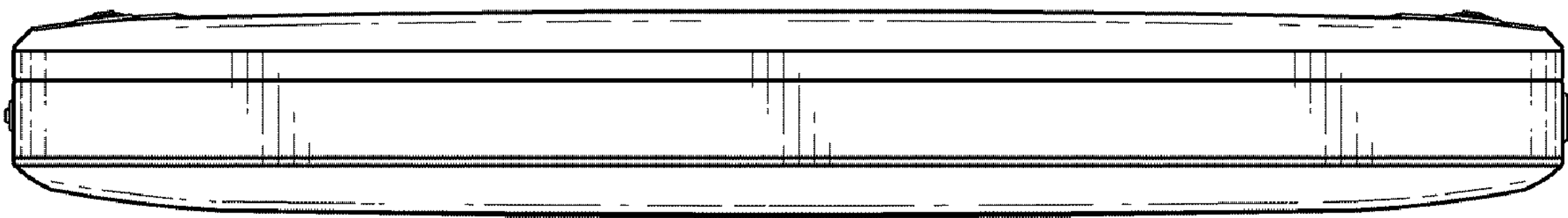


FIG. 8

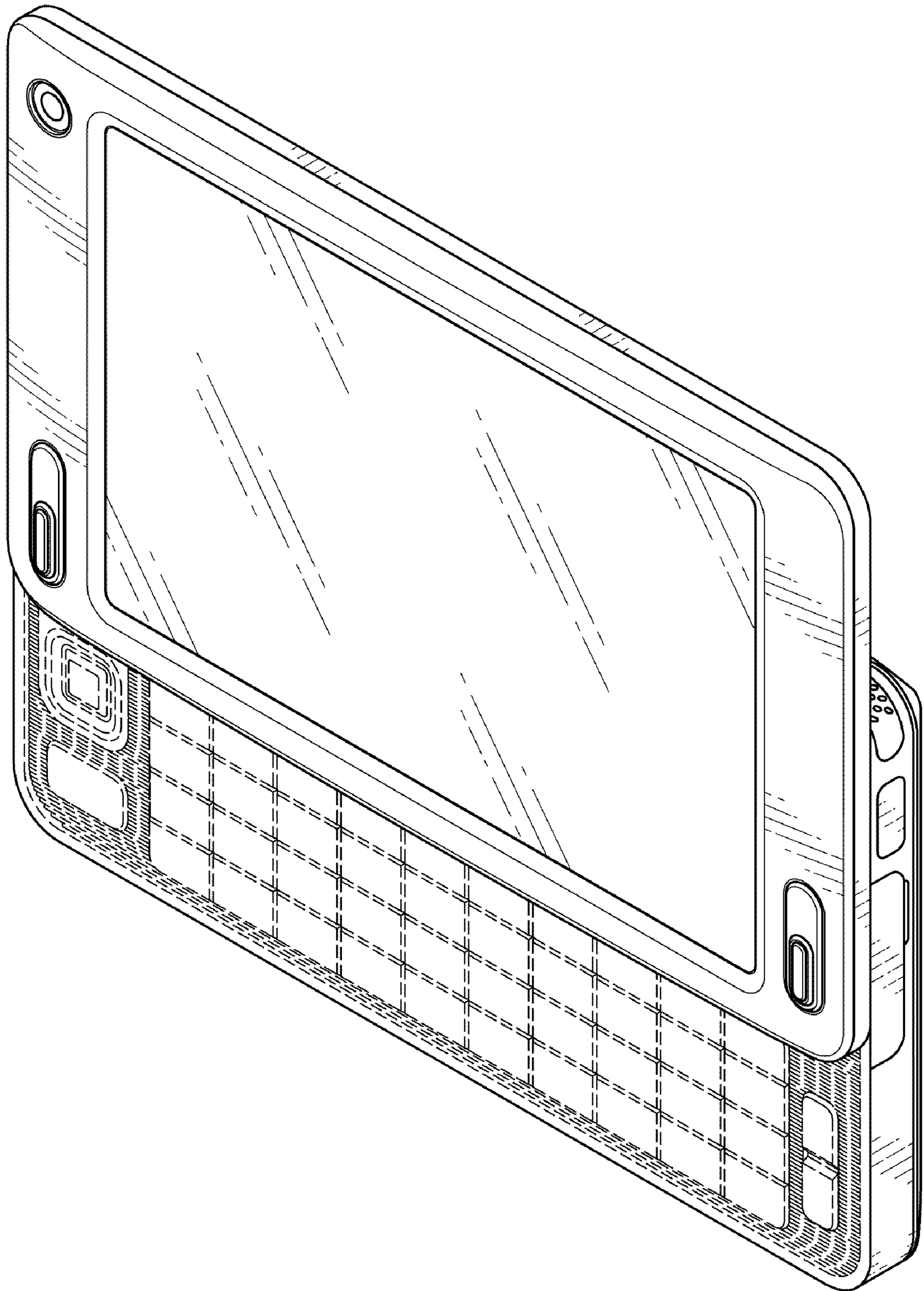




FIG. 9

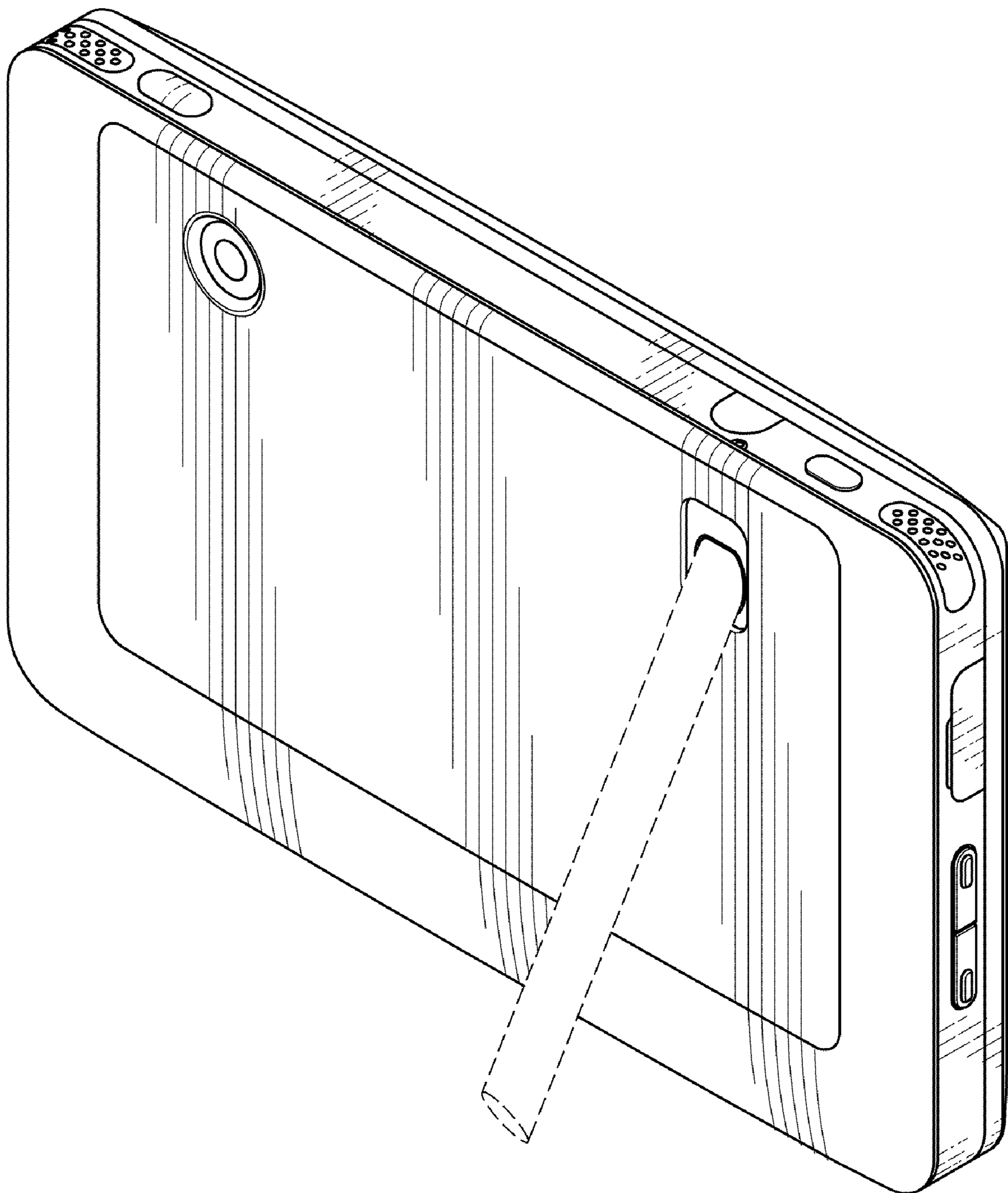


FIG. 10

