



US00D598912S

(12) **United States Design Patent**
Yoon et al.

(10) **Patent No.:** **US D598,912 S**

(45) **Date of Patent:** **** Aug. 25, 2009**

(54) **MOBILE PERSONAL COMPUTER**

(75) Inventors: **Sang-Won Yoon**, Seoul (KR);
Myung-Jung Kim, Suwon-si (KR)

(73) Assignee: **Samsung Electronics Co., Ltd.**,
Suwon-Si (KR)

(**) Term: **14 Years**

(21) Appl. No.: **29/290,716**

(22) Filed: **Jan. 4, 2008**

(51) **LOC (9) Cl.** **14-02**

(52) **U.S. Cl.** **D14/341**

(58) **Field of Classification Search** D14/341,
D14/342, 343, 344, 345, 346, 347, 420, 426,
D14/427, 432, 439, 440, 441, 448, 496, 125,
D14/137, 129, 130, 138, 250, 389, 147, 218,
D14/247, 248, 156; D10/65, 78, 104, 46;
D13/168; D18/6, 7; D21/329, 686; D6/596,
D6/601, 605; 455/90.3, 556.1, 556.2, 575.1,
455/575.3, 575.4; 379/433.01, 433.04, 433.06,
379/433.07; 361/814; 341/22; 345/169,
345/173

See application file for complete search history.

(56) **References Cited**

U.S. PATENT DOCUMENTS

D521,527 S * 5/2006 Lee D14/496

D529,045 S * 9/2006 Shin D14/496
D542,768 S * 5/2007 Hwang et al. D14/138
D560,231 S * 1/2008 Lee D14/496
D571,798 S * 6/2008 Ogasawara D14/341
D573,143 S * 7/2008 Park et al. D14/341

* cited by examiner

Primary Examiner—Cathron C Brooks

Assistant Examiner—Barbara Fox

(74) *Attorney, Agent, or Firm*—Staas & Halsey LLP

(57) **CLAIM**

The ornamental design for a mobile personal computer, as shown and described.

DESCRIPTION

FIG. 1 is a perspective view of a mobile personal computer according to our new design;

FIG. 2 is a front elevational view thereof;

FIG. 3 is a rear elevational view thereof;

FIG. 4 is a left side elevational view thereof;

FIG. 5 is a right side elevational view thereof;

FIG. 6 is a top plan view thereof; and,

FIG. 7 is a bottom plan view thereof.

The broken line showing of the drawing represent unclaimed portions of the mobile personal computer and form no part of the claimed design.

1 Claim, 4 Drawing Sheets

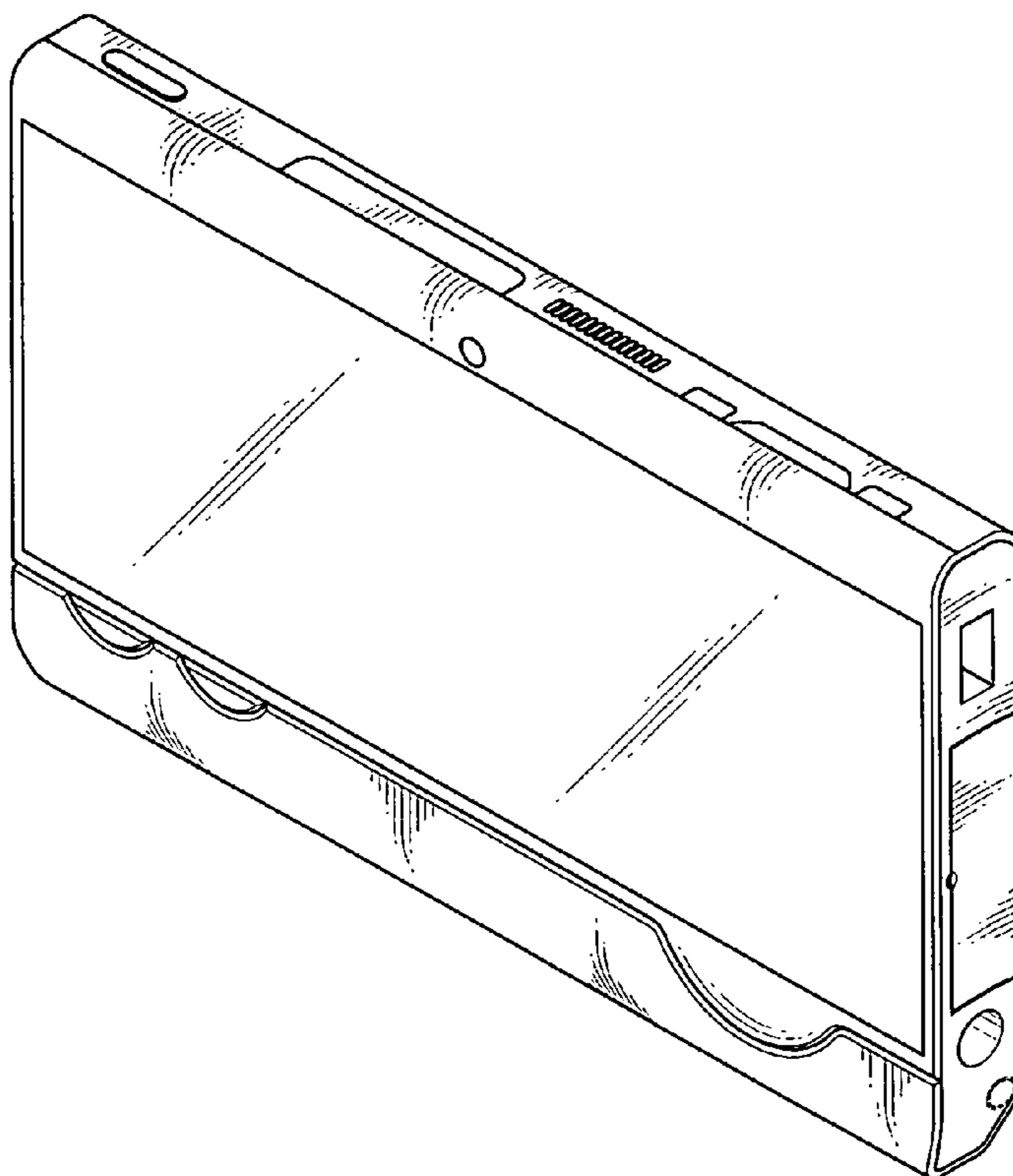


FIG. 1

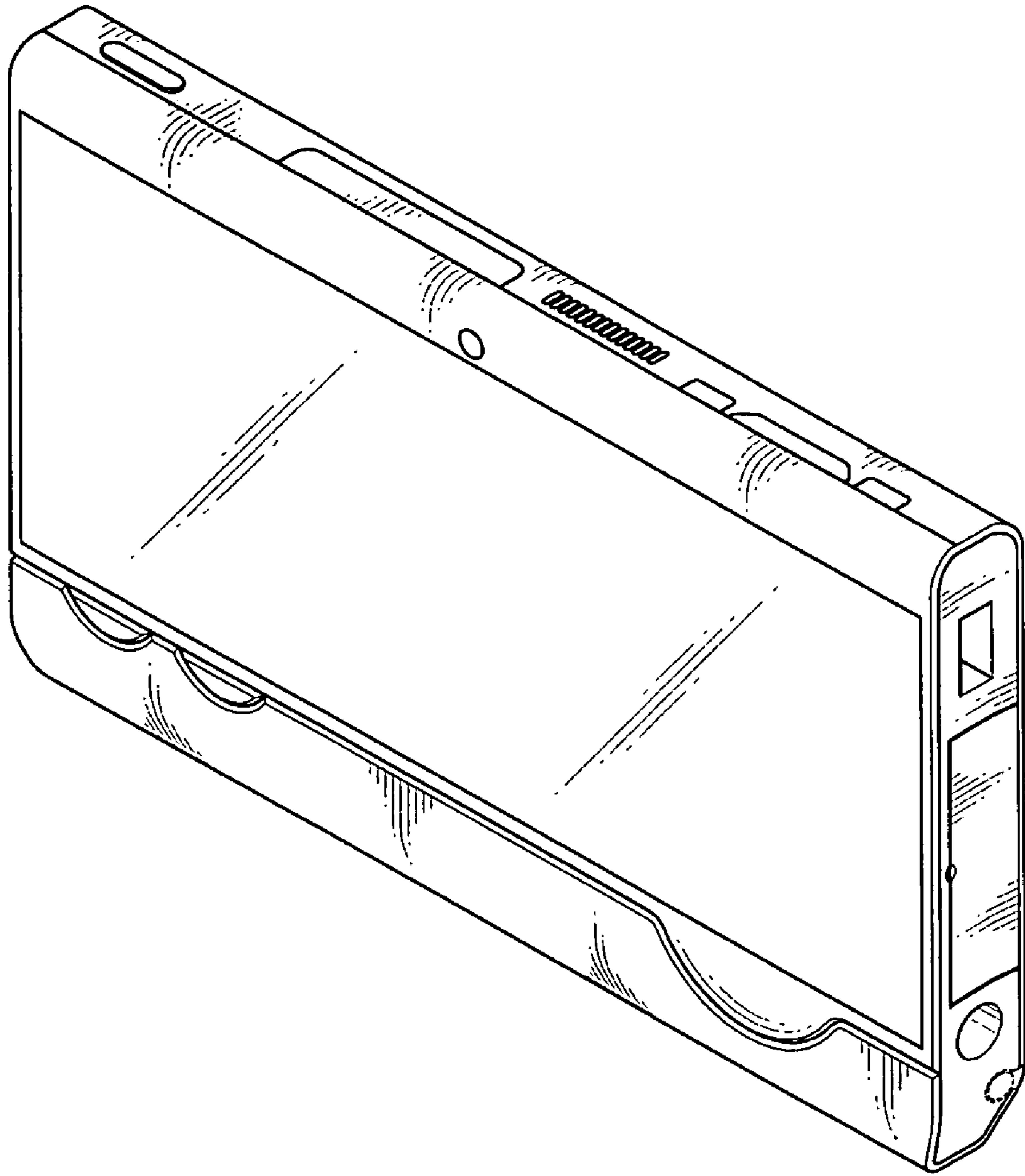


FIG.2

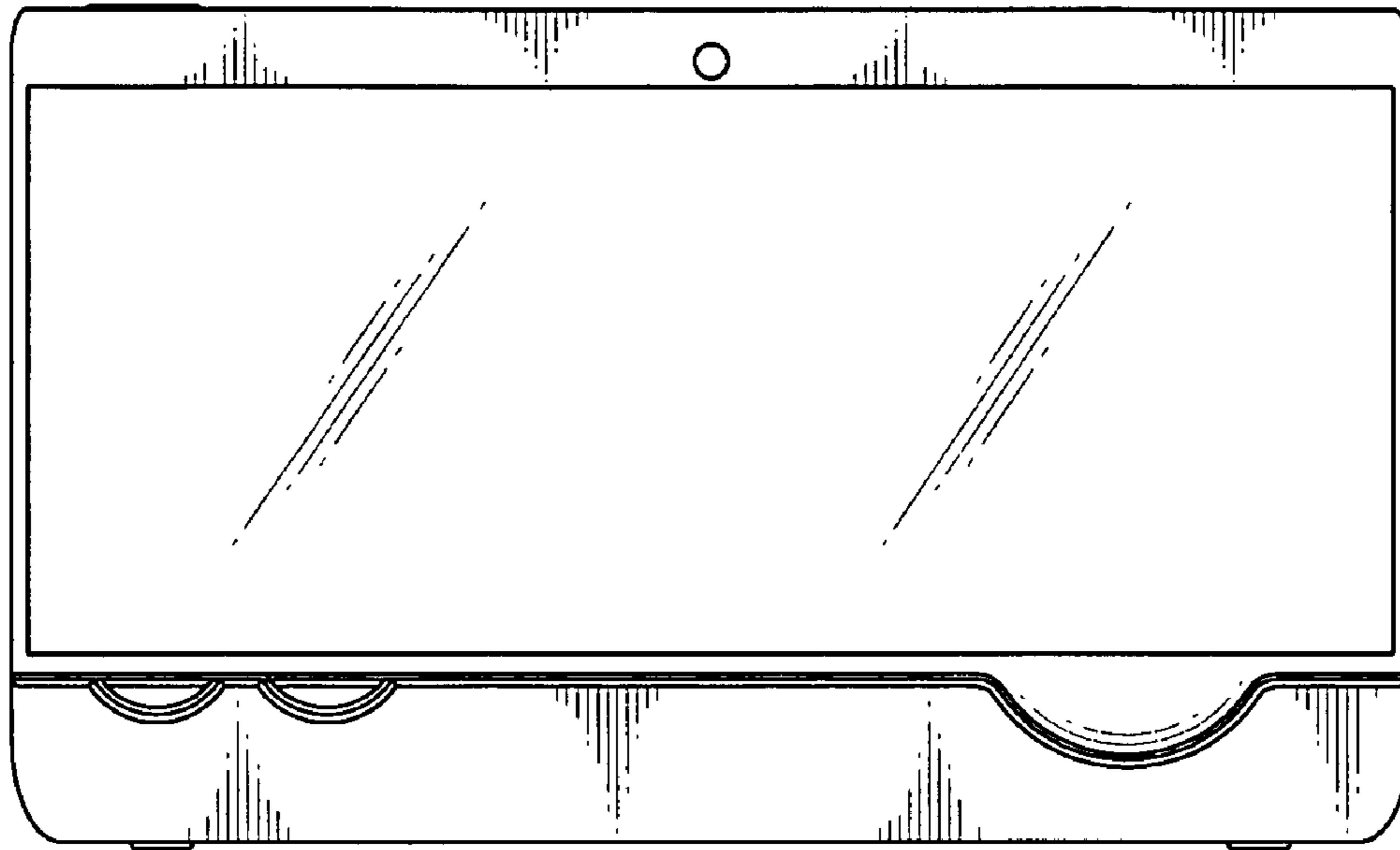


FIG.3

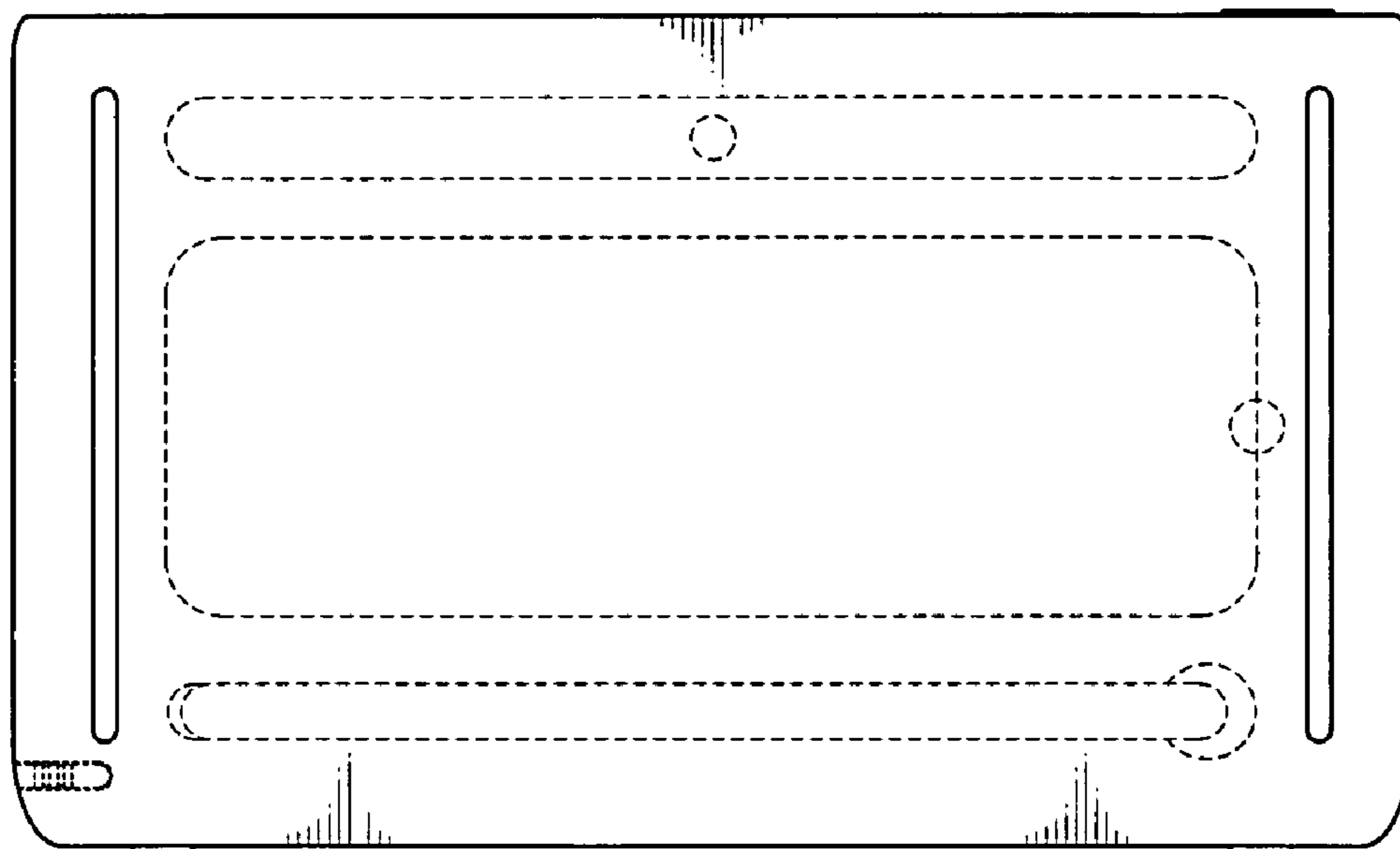


FIG.4

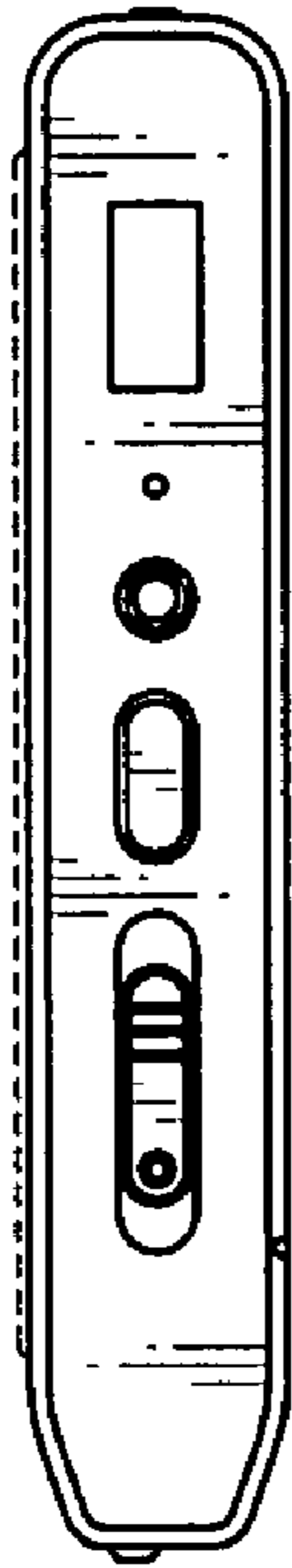


FIG.5

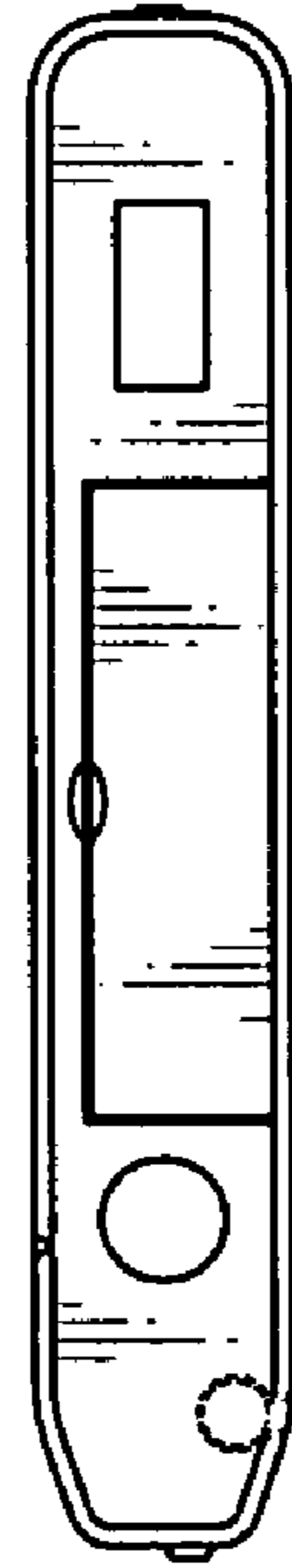


FIG.6

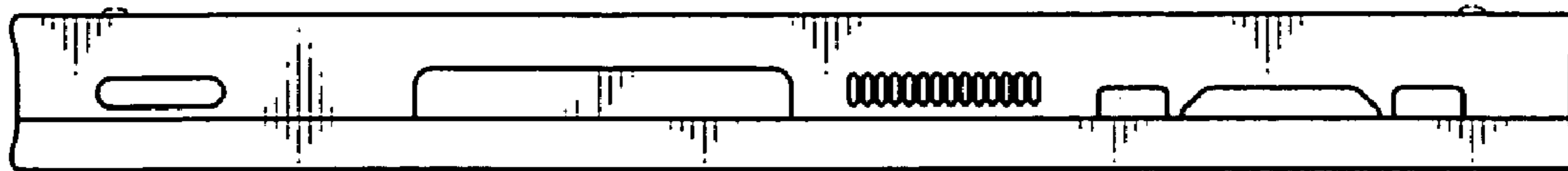


FIG.7

