



US00D598911S

(12) **United States Design Patent**
Wang et al.

(10) **Patent No.:** **US D598,911 S**
(45) **Date of Patent:** **** Aug. 25, 2009**

(54) **ALL IN ONE COMPUTER**

(75) Inventors: **Qun Wang**, Shenzhen (CN); **Yun-Lung Chen**, Taipei Hsien (TW); **Zhen Zhang**, Shenzhen (CN); **Hong-Jin Wu**, Shenzhen (CN)

(73) Assignee: **Hon Hai Precision Industry Co., Ltd.**, Tu-Cheng, Taipei Hsien (TW)

(**) Term: **14 Years**

(21) Appl. No.: **29/321,034**

(22) Filed: **Jul. 9, 2008**

(51) **LOC (9) Cl.** **14-02**

(52) **U.S. Cl.** **D14/336; D14/371**

(58) **Field of Classification Search** D14/371-376,
D14/125-129, 336-337, 356; 248/917-924,
248/176.1, 278.1; 341/12; 345/104, 156,
345/173, 174, 901-905; 348/180, 184, 325,
348/739; 361/680-686, 679.08, 679.23;
349/1, 2, 11, 58

See application file for complete search history.

(56) **References Cited**

U.S. PATENT DOCUMENTS

D428,415 S * 7/2000 Shibata D14/356
6,381,125 B1 * 4/2002 Mizoguchi et al. 361/679.08
D463,430 S * 9/2002 Goto D14/374
D469,085 S * 1/2003 Hill et al. D14/337
D496,035 S * 9/2004 Chen et al. D14/337

D502,944 S * 3/2005 Kawami et al. D14/336
D531,631 S * 11/2006 Andre et al. D14/375
D537,079 S * 2/2007 Park D14/375
D541,278 S * 4/2007 Hsu et al. D14/375
D541,799 S * 5/2007 Andre et al. D14/375
D558,200 S * 12/2007 Tsai D14/375
D570,841 S * 6/2008 Kim et al. D14/375
2006/0237599 A1 * 10/2006 Ternus et al. 248/176.1

* cited by examiner

Primary Examiner—Freda S Nunn

(74) *Attorney, Agent, or Firm*—D. Austin Bonderer

(57) **CLAIM**

The ornamental design for “all in one computer,” as shown and described.

DESCRIPTION

FIG. 1 is a perspective view of the all in one computer showing our new design;

FIG. 2 is a front elevational view thereof;

FIG. 3 is a left side elevational view thereof;

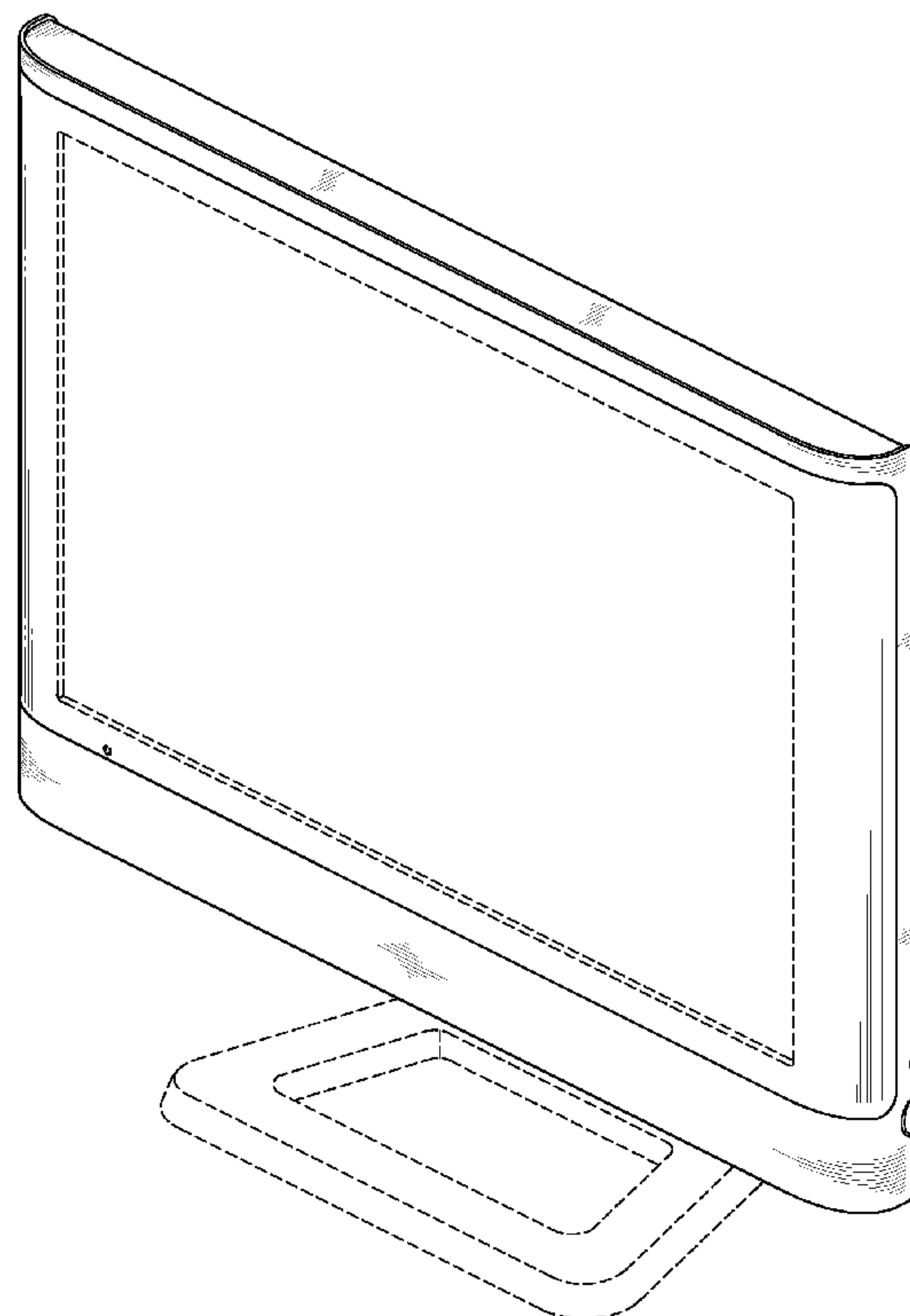
FIG. 4 is a right side elevational view thereof;

FIG. 5 is a top plan view thereof; and,

FIG. 6 is a bottom plan view thereof.

The broken line showing of “all in one computer” is for the purpose of illustrating environmental structures only and forms no part of the claimed design.

1 Claim, 6 Drawing Sheets



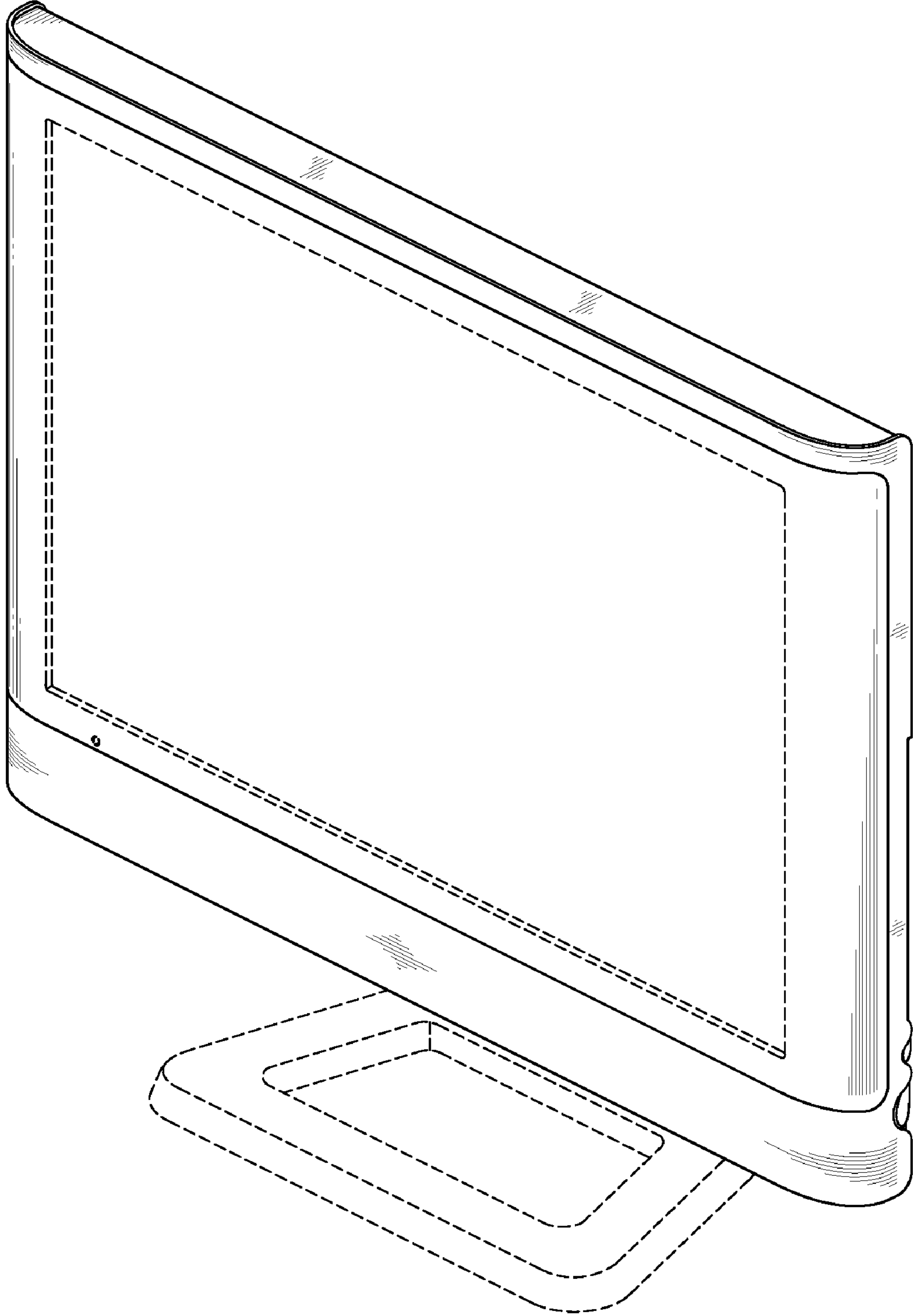


FIG. 1

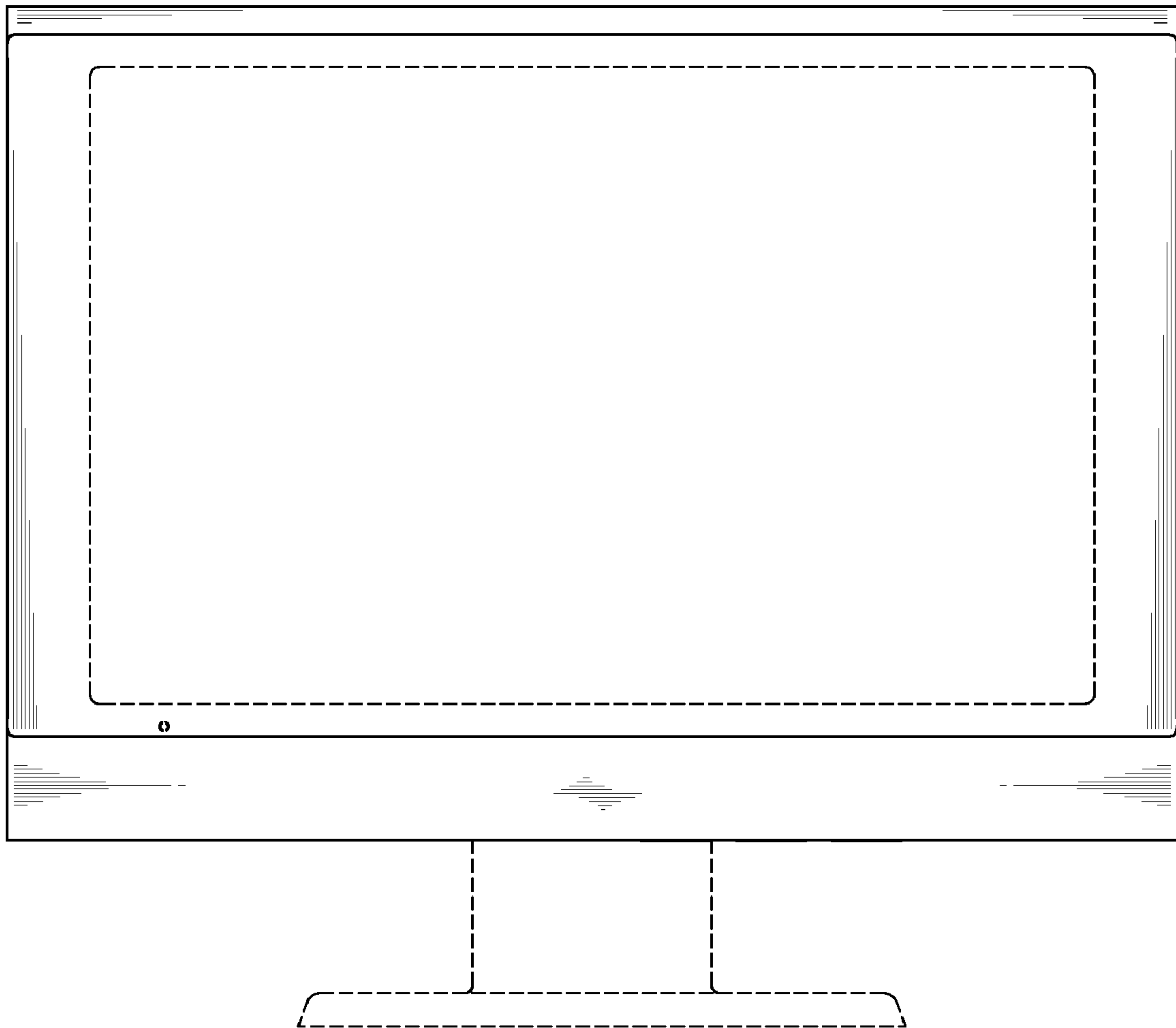


FIG. 2

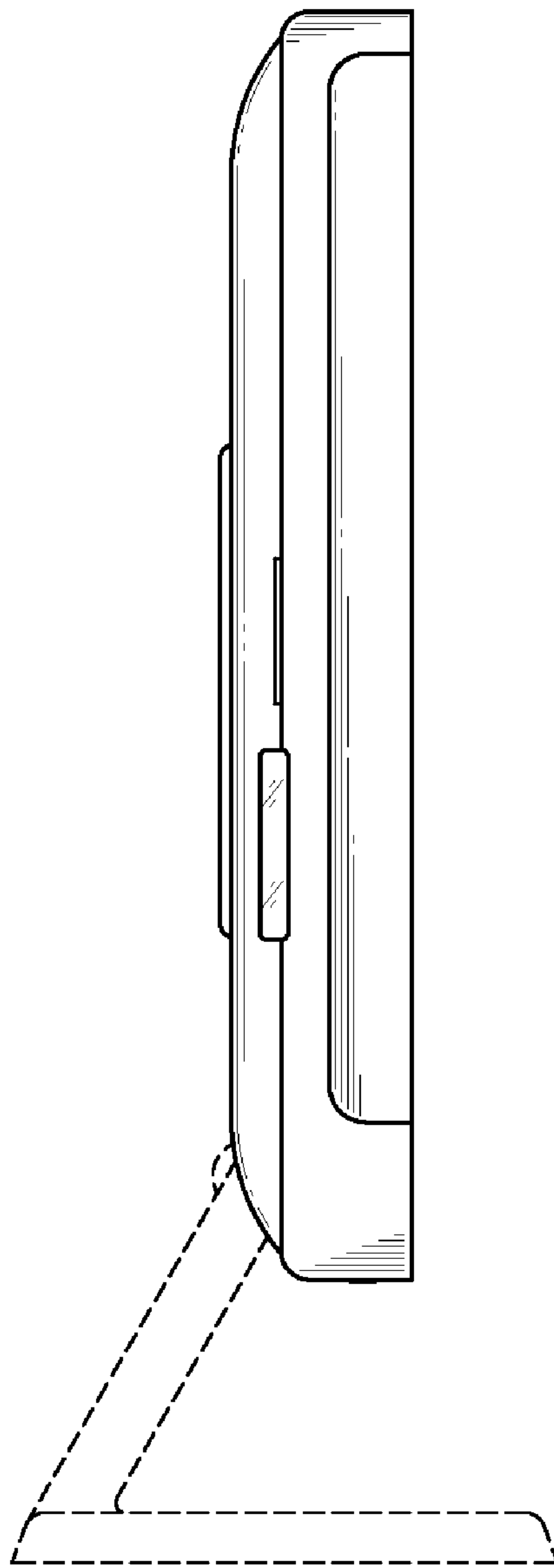


FIG. 3

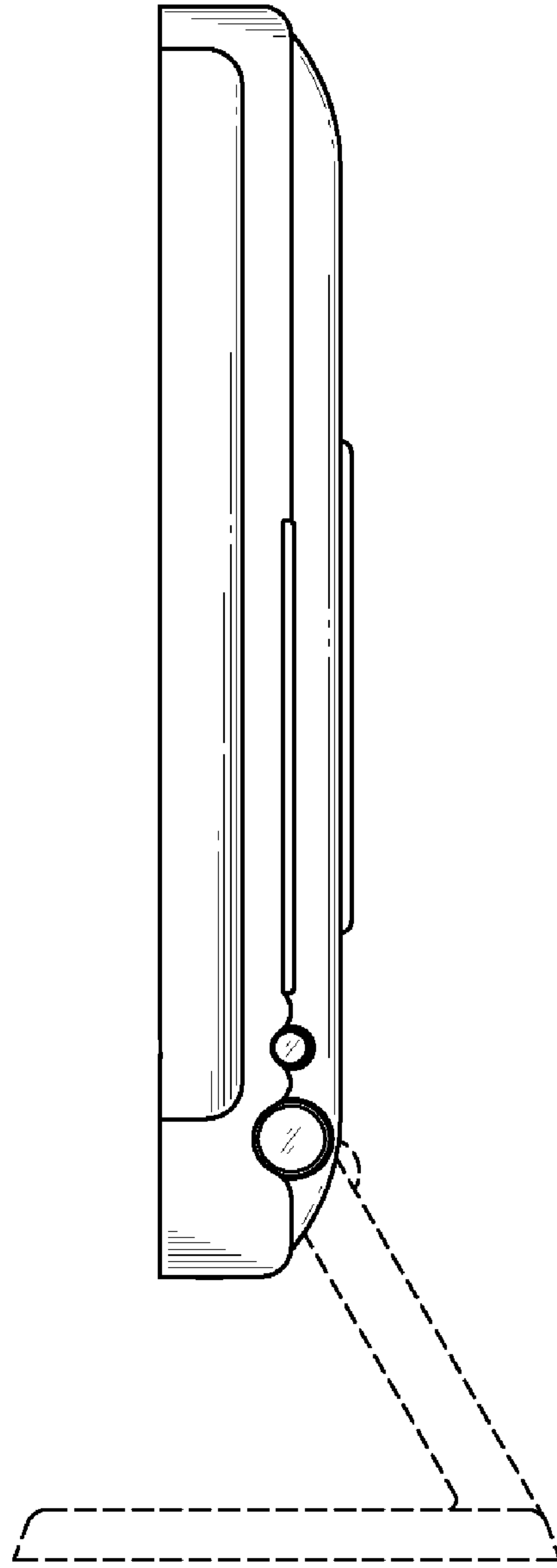


FIG. 4

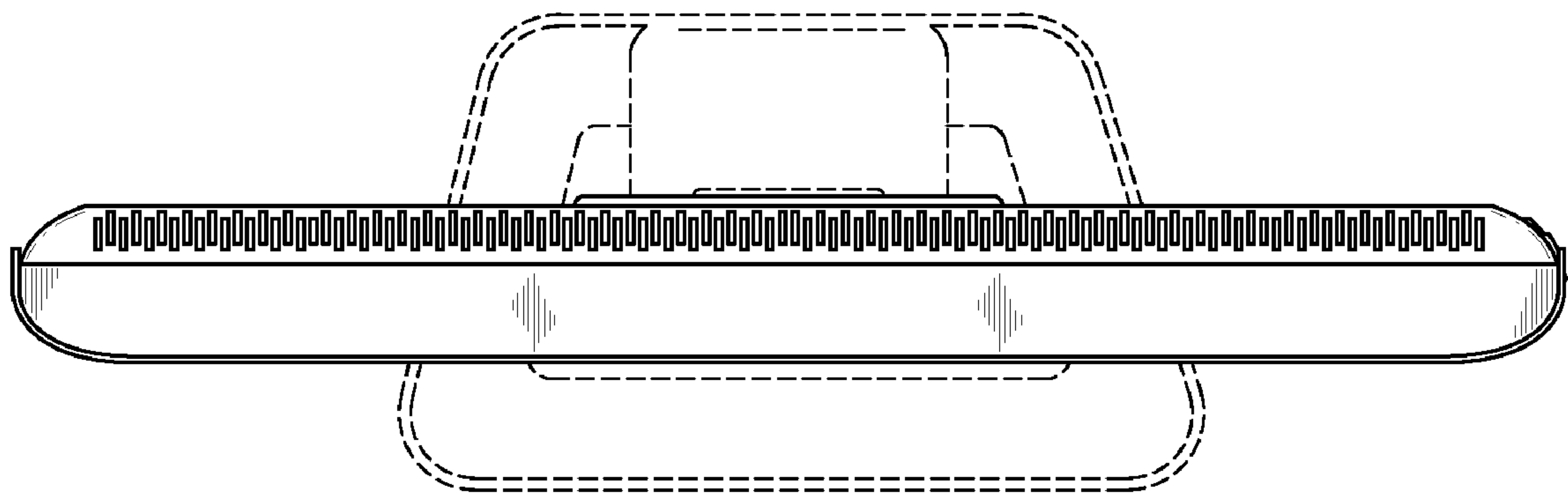


FIG. 5

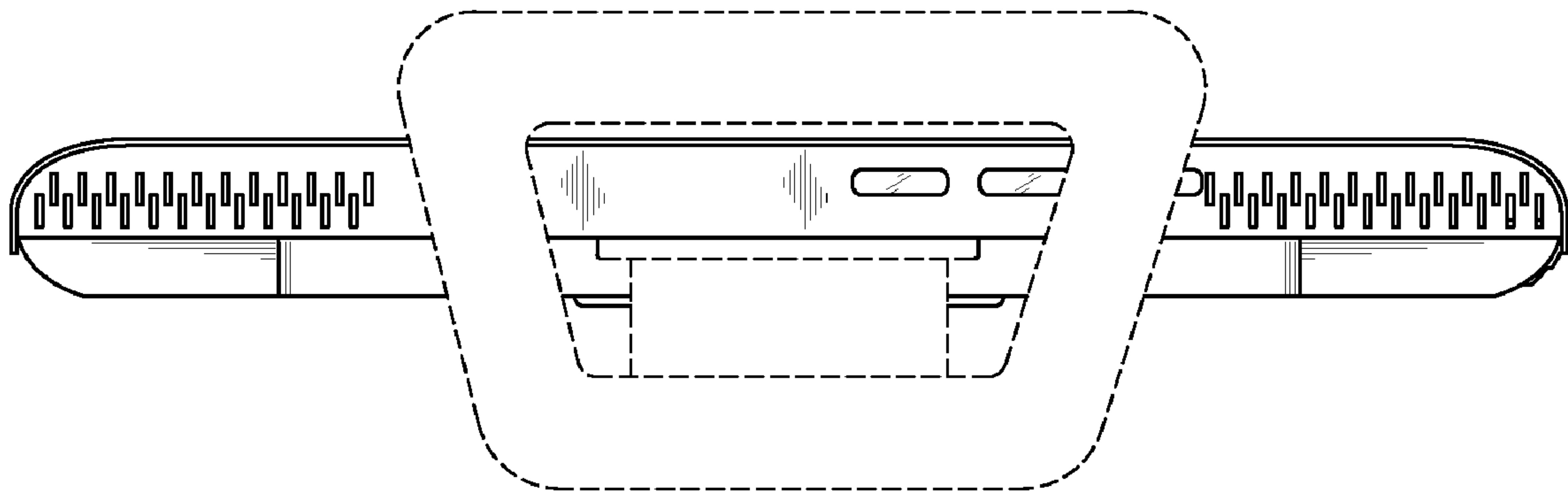


FIG. 6