

US00D598910S

(12) **United States Design Patent**
Bradford et al.

(10) **Patent No.:** **US D598,910 S**

(45) **Date of Patent:** **** Aug. 25, 2009**

(54) **CLIP FOR A HEADSET**

(75) Inventors: **Simon Bradford**, Middlesex (GB); **Sami Lehtovaara**, Masku (FI); **Heli Säde**, Salo (FI)

(73) Assignee: **Nokia Corporation**, Espoo (FI)

(**) Term: **14 Years**

(21) Appl. No.: **29/304,231**

(22) Filed: **Feb. 27, 2008**

(30) **Foreign Application Priority Data**

Aug. 27, 2007 (EP) 000779053

(51) **LOC (9) Cl.** **14-03**

(52) **U.S. Cl.** **D14/251**; D14/223; D14/217

(58) **Field of Classification Search** D14/140, D14/142, 168, 192, 205-207, 223, 224, 240, D14/256, 433, 435, 483, 496; D3/318, 215, D3/218; D8/349, 353, 354, 356, 373, 382, D8/394, 395; D13/110, 118, 133, 154; 24/3.11, 24/351; 224/269, 297; 242/379.2; 455/351, 455/90.2

See application file for complete search history.

(56) **References Cited**

U.S. PATENT DOCUMENTS

D191,515 S * 10/1961 Rhoades D8/395
D295,811 S * 5/1988 Larsson D6/326
D409,901 S * 5/1999 Blackburn et al. D8/395
D457,409 S * 5/2002 Noniewicz D8/72
D481,618 S * 11/2003 Felsenthal D8/373

D513,975 S * 1/2006 Falconer et al. D8/395
D548,960 S * 8/2007 Tages et al. D3/218
D552,461 S * 10/2007 Oas D8/395
D555,149 S * 11/2007 Griffin D14/217
D561,573 S * 2/2008 Hyde et al. D8/395
D570,822 S * 6/2008 Wu et al. D14/205

OTHER PUBLICATIONS

Daily Mobile.se “Pictures: Nokia BH-602 Bluetooth Handsfree”, <<http://dailymobile.se/2007/11/04/pictures-nokia-bh-602-bluetooth-handsfree/>>, dated Nov. 4, 2007, accessed Jan. 2, 2009, 2pgs.*

The Nokia Guide.com, “Accessories Galore: Review of Nokia BH-803 and BH-603”, <http://thenokiaguide.com/my_weblog/2008/01/accessories-gal.html>, dated Jan. 10, 2008, accessed Jan. 2, 2009, 2pgs.*

* cited by examiner

Primary Examiner—Stella M Reid

Assistant Examiner—Keli L Hill

(74) *Attorney, Agent, or Firm*—Banner & Witcoff, Ltd.

(57) **CLAIM**

The ornamental design for a clip for a headset, as shown and described.

DESCRIPTION

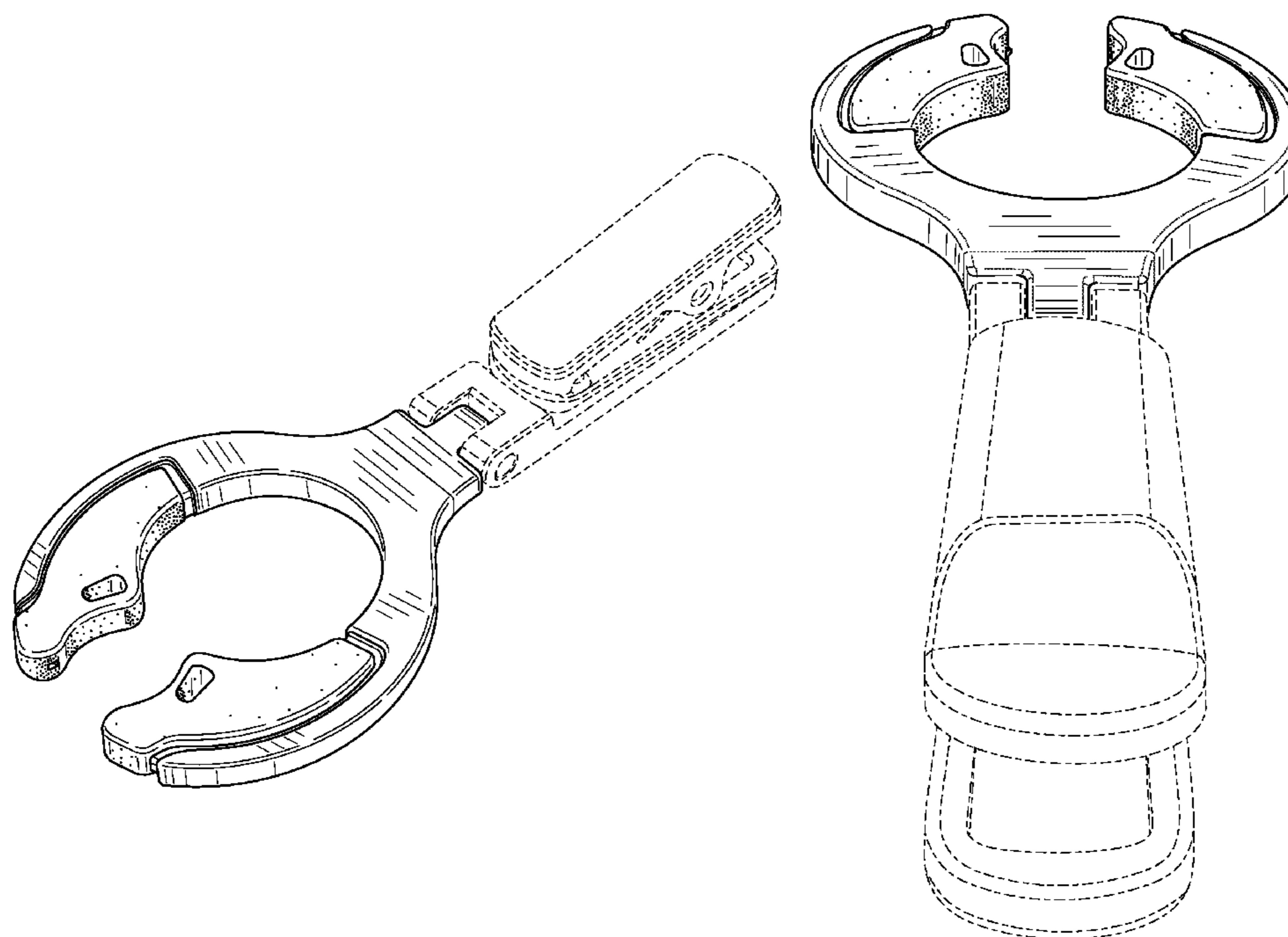
FIG. 1 is a perspective view of a clip for a headset showing our new design;

FIG. 2 is a front perspective view thereof; and,

FIG. 3 is a rear perspective view thereof.

The broken line showing environmental structure is for illustrative purposes only and forms no part of the claimed design.

1 Claim, 3 Drawing Sheets



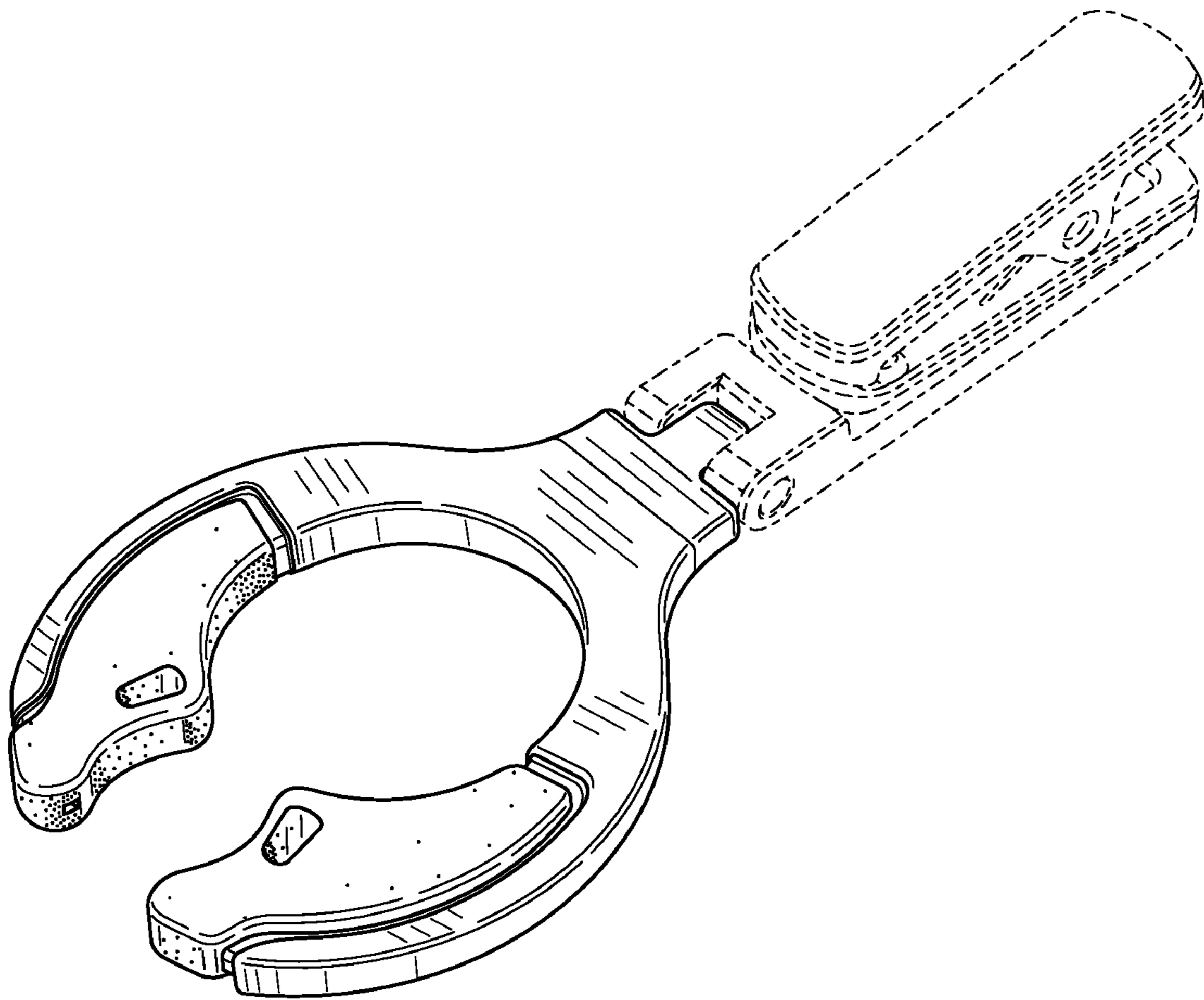


FIG. 1

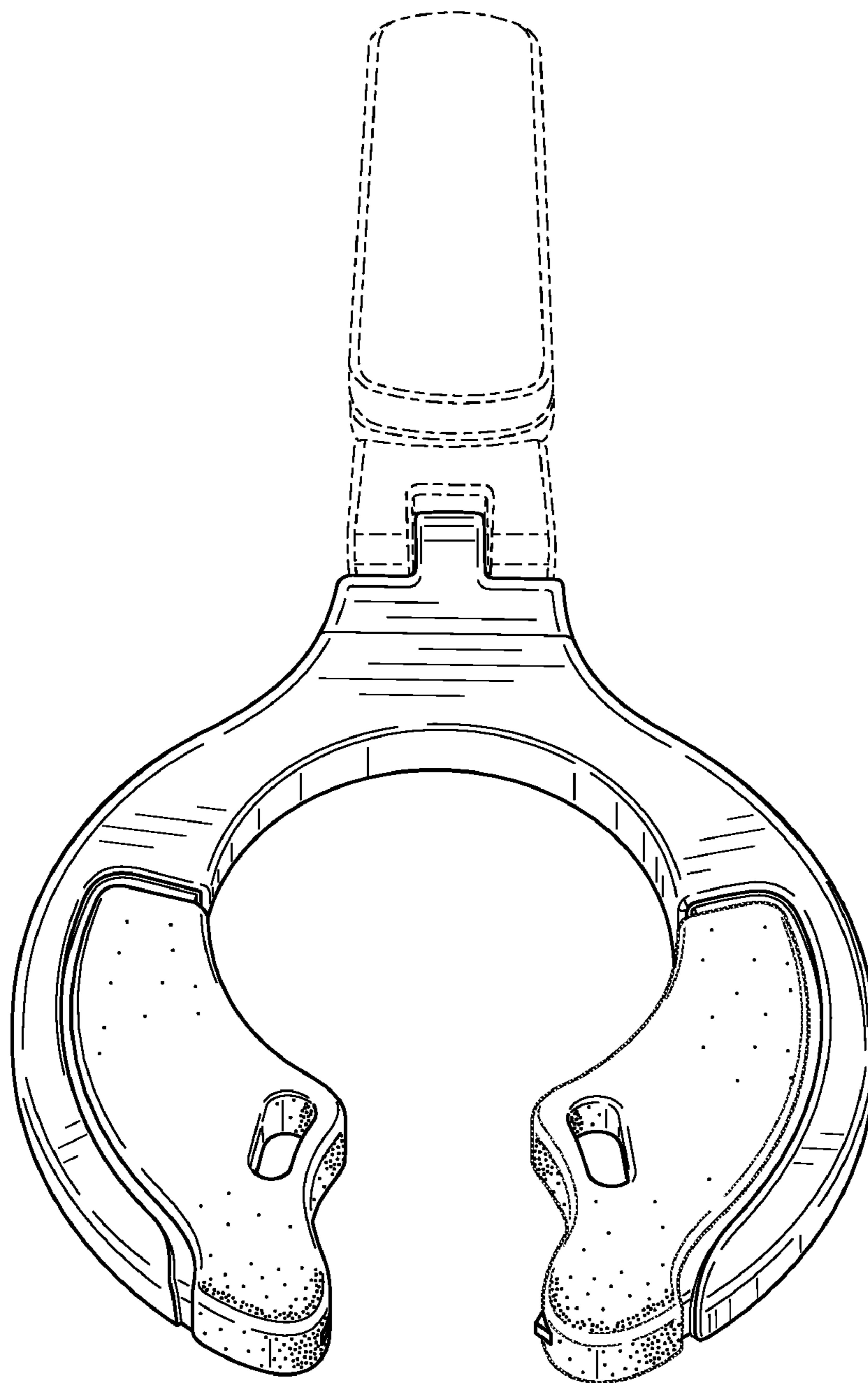


FIG. 2

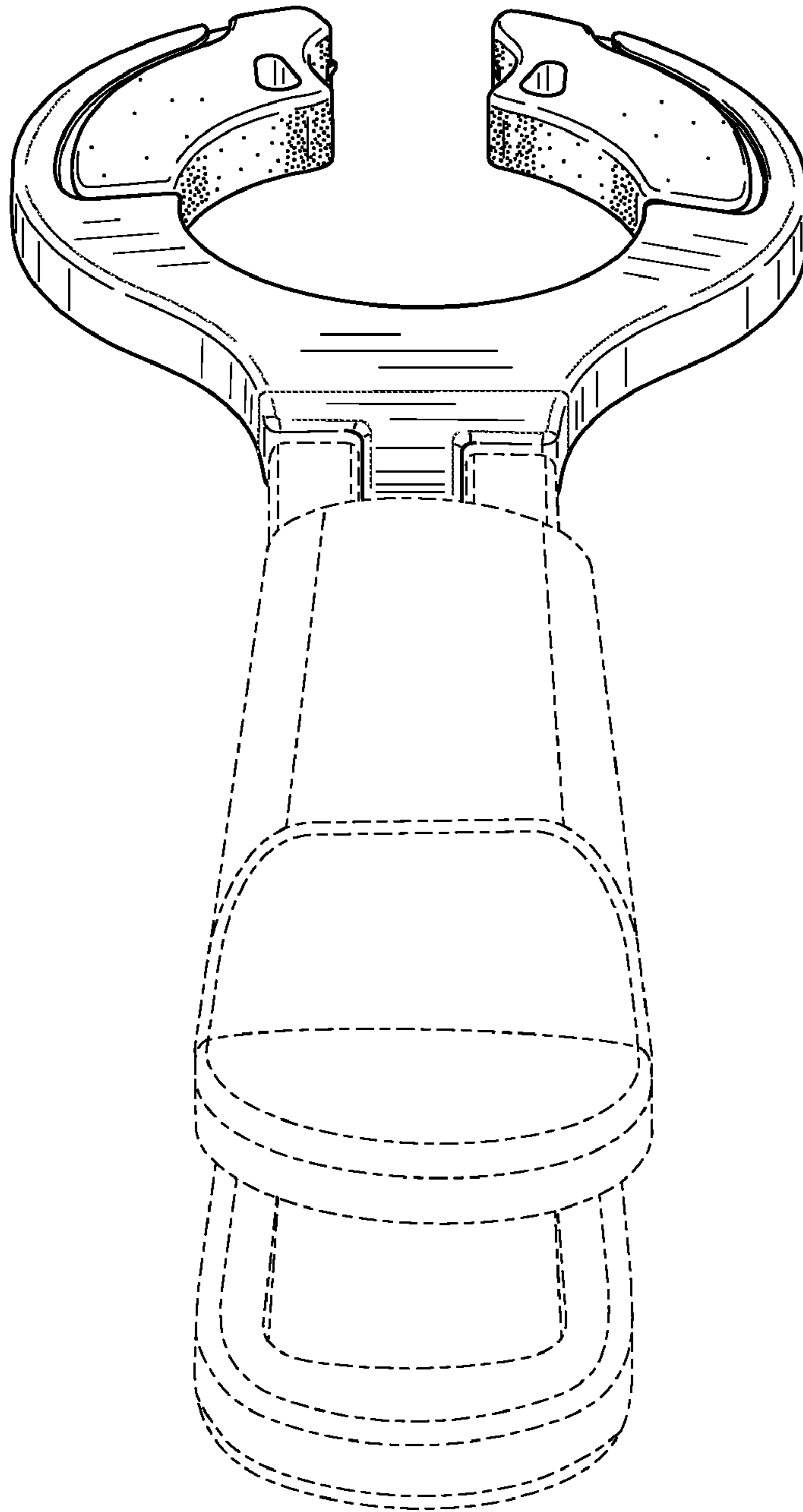


FIG. 3