

US00D598907S

(12) **United States Design Patent**  
**Montin et al.**

(10) **Patent No.:** **US D598,907 S**

(45) **Date of Patent:** **\*\* Aug. 25, 2009**

(54) **SET OF KEY BUTTONS FOR A HANDSET**

(75) Inventors: **Petri Montin**, Oulu (FI); **Anton Fahlgren**, Copenhagen (DK); **Aki Laine**, Copenhagen (DK); **Khodi Feiz**, Amsterdam (NL)

(73) Assignee: **Nokia Corporation**, Espoo (FI)

(\*\*) Term: **14 Years**

(21) Appl. No.: **29/324,201**

(22) Filed: **Sep. 8, 2008**

**Related U.S. Application Data**

(63) Continuation of application No. 29/280,467, filed on May 29, 2007, now Pat. No. Des. 576,589.

(30) **Foreign Application Priority Data**

Nov. 28, 2006 (FI) ..... M20060219

(51) **LOC (9) Cl.** ..... **14-03**

(52) **U.S. Cl.** ..... **D14/247**

(58) **Field of Classification Search** ..... D14/137-138, D14/138 AA, 147-148, 156, 218, 247-248, D14/341-347, 390, 399, 455-456, 496; D16/208; D21/329, 331, 333, 517; 348/14.01-14.02; 361/814; 379/433.01-433.13; 455/90.3, 455/556.1-556.2, 566, 575.1, 575.3, 575.4; D13/164, 168; 439/165; 343/702  
See application file for complete search history.

(56) **References Cited**

**U.S. PATENT DOCUMENTS**

D507,562 S \* 7/2005 Kim ..... D14/247  
D515,541 S 2/2006 Jensfelt  
D535,960 S \* 1/2007 Kim et al. .... D14/138 AB  
D538,252 S 3/2007 Joung  
D539,257 S 3/2007 Obata et al.  
D539,778 S 4/2007 Yeh et al.  
D540,773 S 4/2007 Meng et al.  
D544,474 S \* 6/2007 Kim et al. .... D14/247

D545,800 S 7/2007 Ou et al.  
D546,314 S 7/2007 Im  
D549,208 S 8/2007 Huang et al.  
D555,621 S \* 11/2007 Seo ..... D14/138 AA  
D558,179 S 12/2007 Hansen  
D558,707 S \* 1/2008 Travis et al. .... D14/138 AA  
D563,379 S 3/2008 Mai et al.  
D565,002 S 3/2008 Pegon et al.  
D566,699 S \* 4/2008 Mitchell et al. .... D14/247  
D568,850 S \* 5/2008 Lyles ..... D14/138 AB  
D569,860 S \* 5/2008 Pegon et al. .... D14/247  
D573,130 S \* 7/2008 Kim et al. .... D14/138 AA

(Continued)

**FOREIGN PATENT DOCUMENTS**

WO DM/067919 5/2006

(Continued)

**OTHER PUBLICATIONS**

Nokia 6220 classic, announced Feb. 2008, <URL:http://www.gsmarena.com/nokia\_6220\_classic-pictures-2256.php>, retrieved from internet May 9, 2009.\*

(Continued)

*Primary Examiner*—Ian Simmons  
*Assistant Examiner*—Carla Jobe Wright  
(74) *Attorney, Agent, or Firm*—Banner & Witcoff, Ltd.

(57) **CLAIM**

The ornamental design for a set of key buttons for a handset, as shown and described.

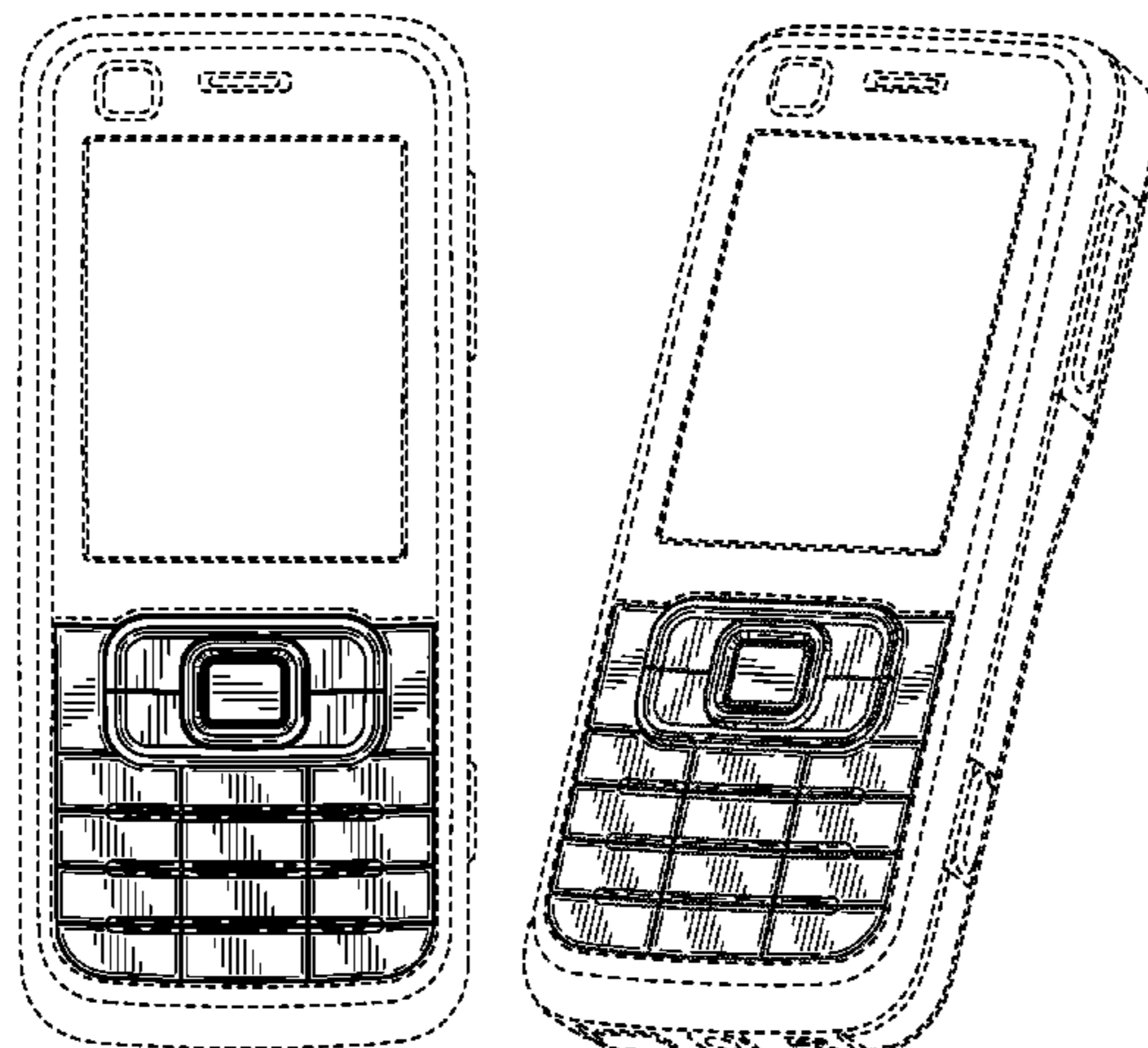
**DESCRIPTION**

FIG. 1 is a front view of a set of key buttons for a handset showing our new design; and,

FIG. 2 is a perspective front view thereof.

The broken line showing the remainder of the handset in FIGS. 1 and 2 is for illustrative purposes only and forms no part of the claimed design.

**1 Claim, 1 Drawing Sheet**



U.S. PATENT DOCUMENTS

D573,574 S \* 7/2008 Suk et al. .... D14/138 AB  
 D576,135 S \* 9/2008 Moss ..... D14/138 AA  
 D576,583 S \* 9/2008 Miles et al. .... D14/138 AA  
 D576,993 S \* 9/2008 Park et al. .... D14/138 AA  
 D577,351 S \* 9/2008 Kim et al. .... D14/138 AA  
 D577,716 S \* 9/2008 Hering et al. .... D14/247  
 D580,902 S \* 11/2008 Bolton et al. .... D14/138 R  
 D583,343 S \* 12/2008 Lee et al. .... D14/138 AA  
 D584,712 S \* 1/2009 Okkonen ..... D14/138 AA  
 D585,417 S \* 1/2009 Mitchell ..... D14/138 AB  
 2005/0140778 A1\* 6/2005 Kim et al. .... 348/14.02  
 2006/0146030 A1\* 7/2006 Kim ..... 345/169  
 2007/0287302 A1 12/2007 Lindberg et al.  
 2007/0294633 A1 12/2007 Aarras et al.  
 2008/0039156 A1\* 2/2008 Lee et al. .... 455/575.1

FOREIGN PATENT DOCUMENTS

WO DM/069167 7/2007

OTHER PUBLICATIONS

Sony Ericsson K220, announced Feb. 2007, <URL:[http://www.gsmarena.com/sony\\_ericsson\\_k220-pictures-1841.php](http://www.gsmarena.com/sony_ericsson_k220-pictures-1841.php)>, retrieved from internet May 9, 2009.\*  
 Asus V75, announced May 2006, <URL:[http://www.gsmarena.com/asus\\_v75-pictures-1729.php](http://www.gsmarena.com/asus_v75-pictures-1729.php)>, retrieved from internet May 9, 2009.\*  
 Nokia Model #3109 classic, Nokia Corporation, 1 color sheet of photographs, disclosed on or about May 2007.  
 Nokia Model #3110 classic, Nokia Corporation, 1 color sheet of photographs, disclosed on or about Feb. 2007.  
 Nokia Model #5070, Nokia Corporation, 2 color sheets of photographs, disclosed on or about Mar. 2007.  
 Nokia Model #N72, Nokia Corporation, 2 color sheets of photographs, disclosed on or about Apr. 2006.  
 Sony Ericsson K610, announced Feb. 2006, <URL:[http://www.gsmarena.com/sony\\_ericsson\\_k610-pictures-1431.php](http://www.gsmarena.com/sony_ericsson_k610-pictures-1431.php)>, retrieved from internet Apr. 14, 2008.  
 Philips 768, announced 4Q 2005, <URL:[http://www.gsmarena.com/philips\\_768-pictures-1386.php](http://www.gsmarena.com/philips_768-pictures-1386.php)>, retrieved from internet Apr. 18, 2008.

\* cited by examiner

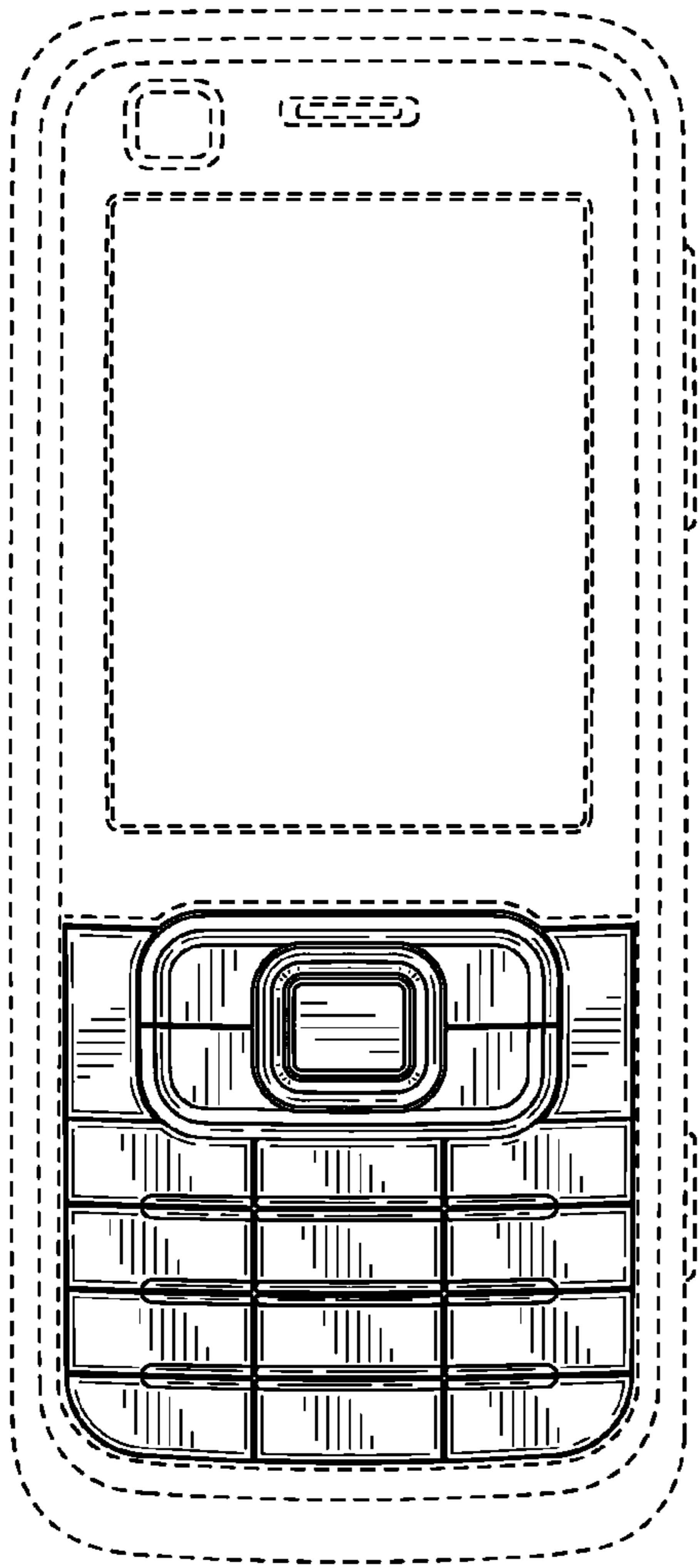


FIG. 1

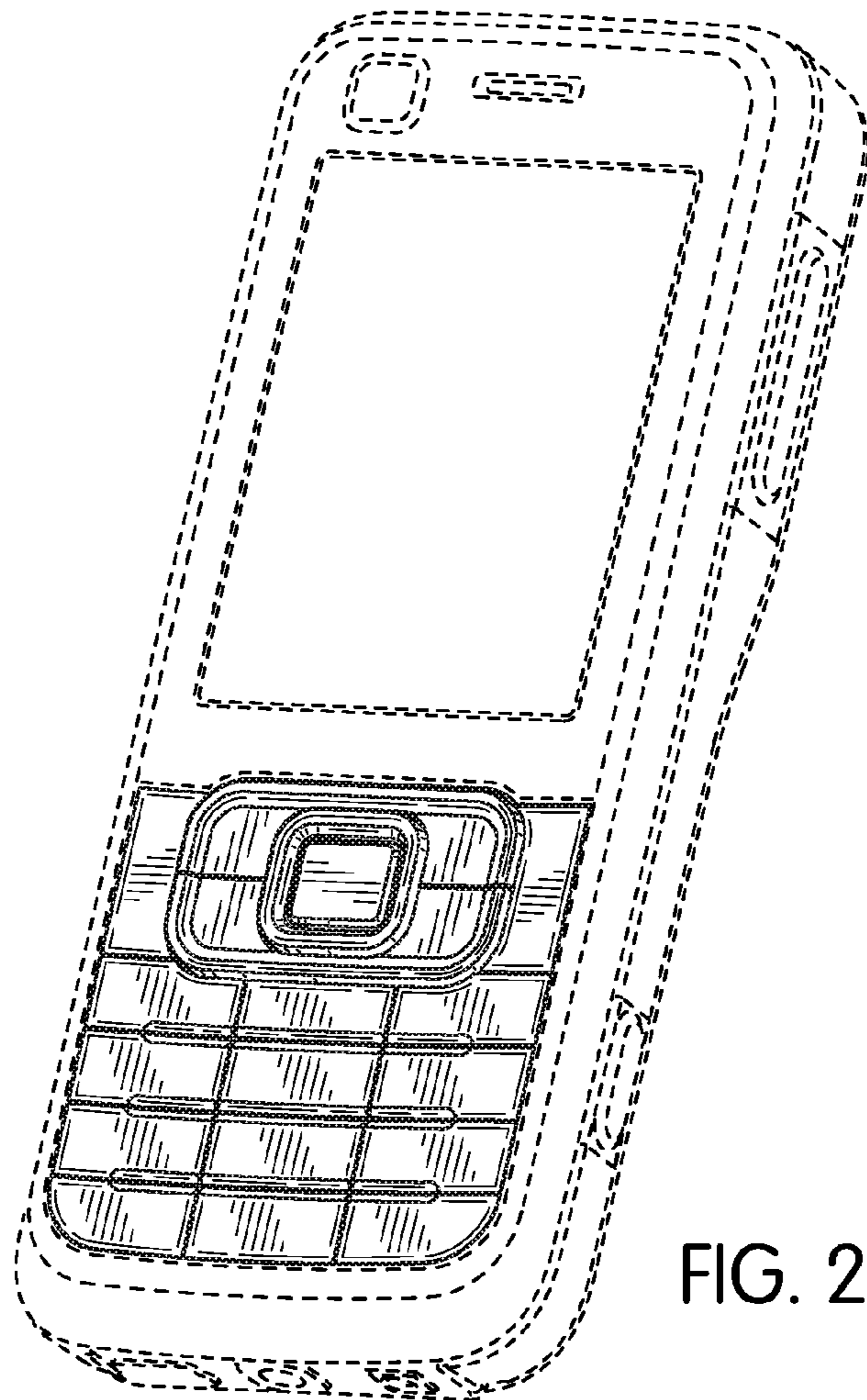


FIG. 2