



US00D598906S

(12) **United States Design Patent**
Chiba et al.

(10) **Patent No.:** **US D598,906 S**

(45) **Date of Patent:** **** Aug. 25, 2009**

(54) **WIRELESS COMMUNICATION TERMINAL**

(75) Inventors: **Kazuhiro Chiba**, Tokyo (JP); **Katsuya Hirano**, Tokyo (JP); **Kouichi Takita**, Tokyo (JP); **Takeshi Nakatani**, Tokyo (JP)

(73) Assignee: **NEC Corporation** (JP)

(**) Term: **14 Years**

(21) Appl. No.: **29/286,944**

(22) Filed: **May 23, 2007**

(30) **Foreign Application Priority Data**

Dec. 1, 2006 (JP) 2006-033291

(51) **LOC (9) Cl.** **14-02**

(52) **U.S. Cl.** **D14/240**

(58) **Field of Classification Search** D14/188, D14/242, 496, 230–237, 241, 167, 302, 314, D14/348–358, 363, 383, 433, 43, 439–441, D14/140–140.94; D13/149, 184; D3/201, D3/273; 711/100, 115; 361/685, 725, 752; 369/272.1, 273, 75.11; 360/133, 79.01, 97.03; 379/220.01, 221.09, 220.14, 25, 93.09, 93.19, 379/156, 900, 338–339, 441

See application file for complete search history.

(56) **References Cited**

U.S. PATENT DOCUMENTS

D461,187 S * 8/2002 Andre et al. D14/356

D508,491 S * 8/2005 Choi D14/356
D514,556 S * 2/2006 Rising D14/300
D561,168 S * 2/2008 Song D14/192
D580,952 S * 11/2008 Liu D14/496
D582,411 S * 12/2008 Fan et al. D14/356

OTHER PUBLICATIONS

Aperto Networks brochure entitled PacketMAX Fixed and Mobile WiMAX, Copyright 2006, on p. 5 note PM500 and PM20.

* cited by examiner

Primary Examiner—Charles A Rademaker

Assistant Examiner—Charles D Hanson

(74) *Attorney, Agent, or Firm*—Seyfarth Shaw LLP

(57) **CLAIM**

The ornamental design for the wireless communication terminal, as shown and described.

DESCRIPTION

FIG. 1 is a front elevational view of the wireless communication terminal showing our new design;

FIG. 2 is a rear elevational view thereof, the left-side and right-side views being identical;

FIG. 3 is a top plan view thereof;

FIG. 4 is a bottom plan view thereof;

FIG. 5 is a perspective view thereof; and,

FIG. 6 is a cross section view taken along line 6—6 in FIG. 1, omitting the inner mechanisms and electronic parts.

1 Claim, 2 Drawing Sheets

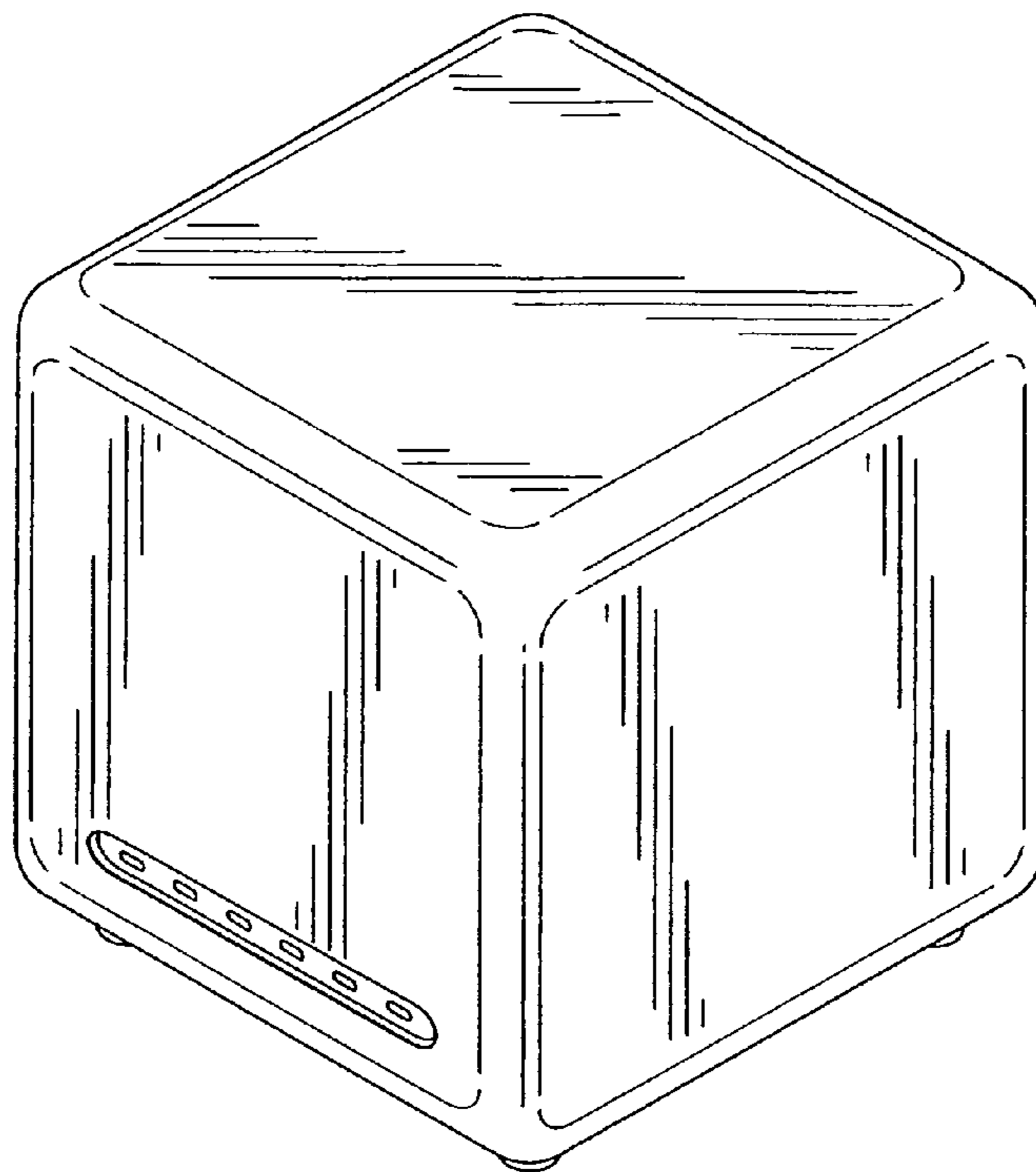


Fig. 1

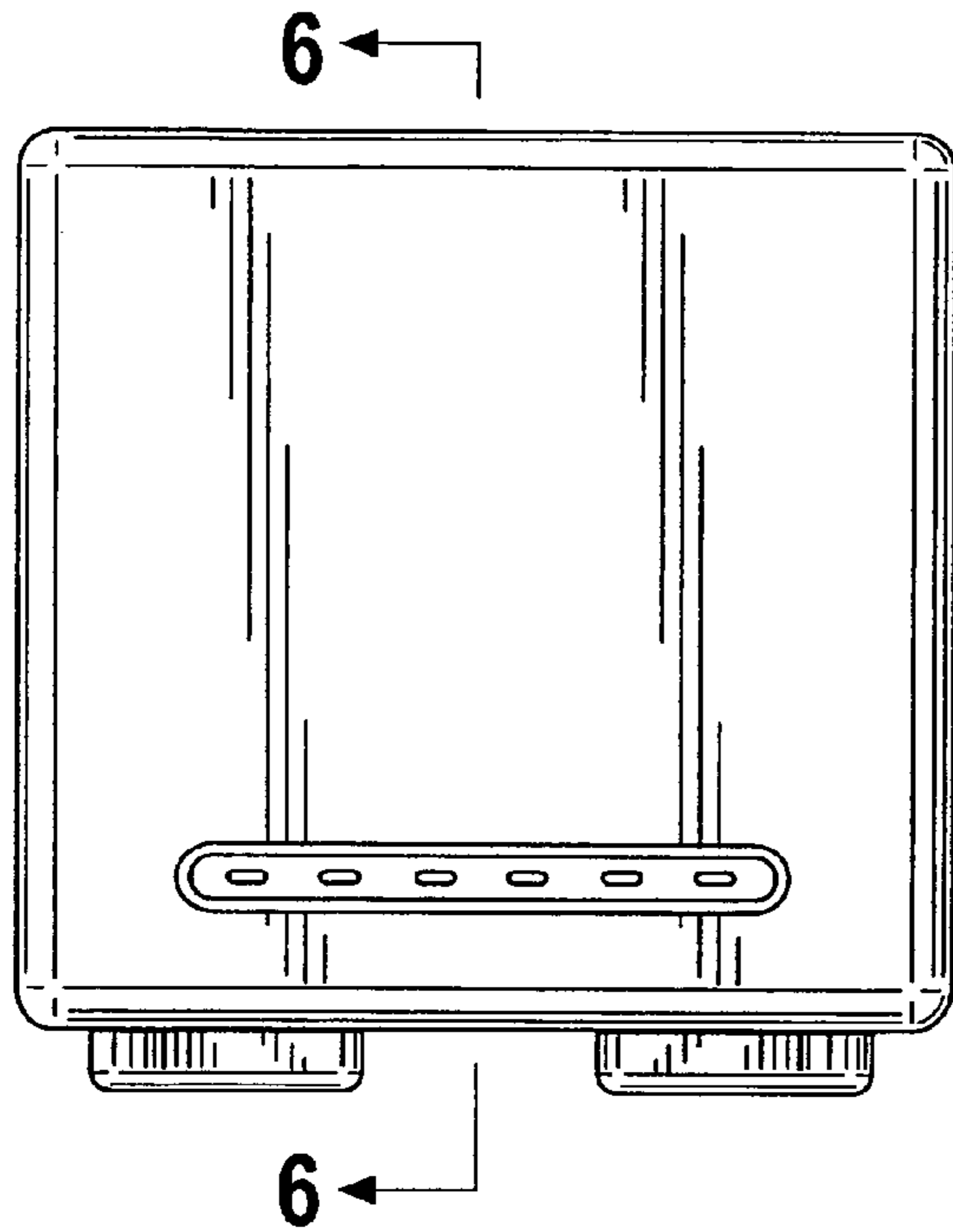


Fig. 2

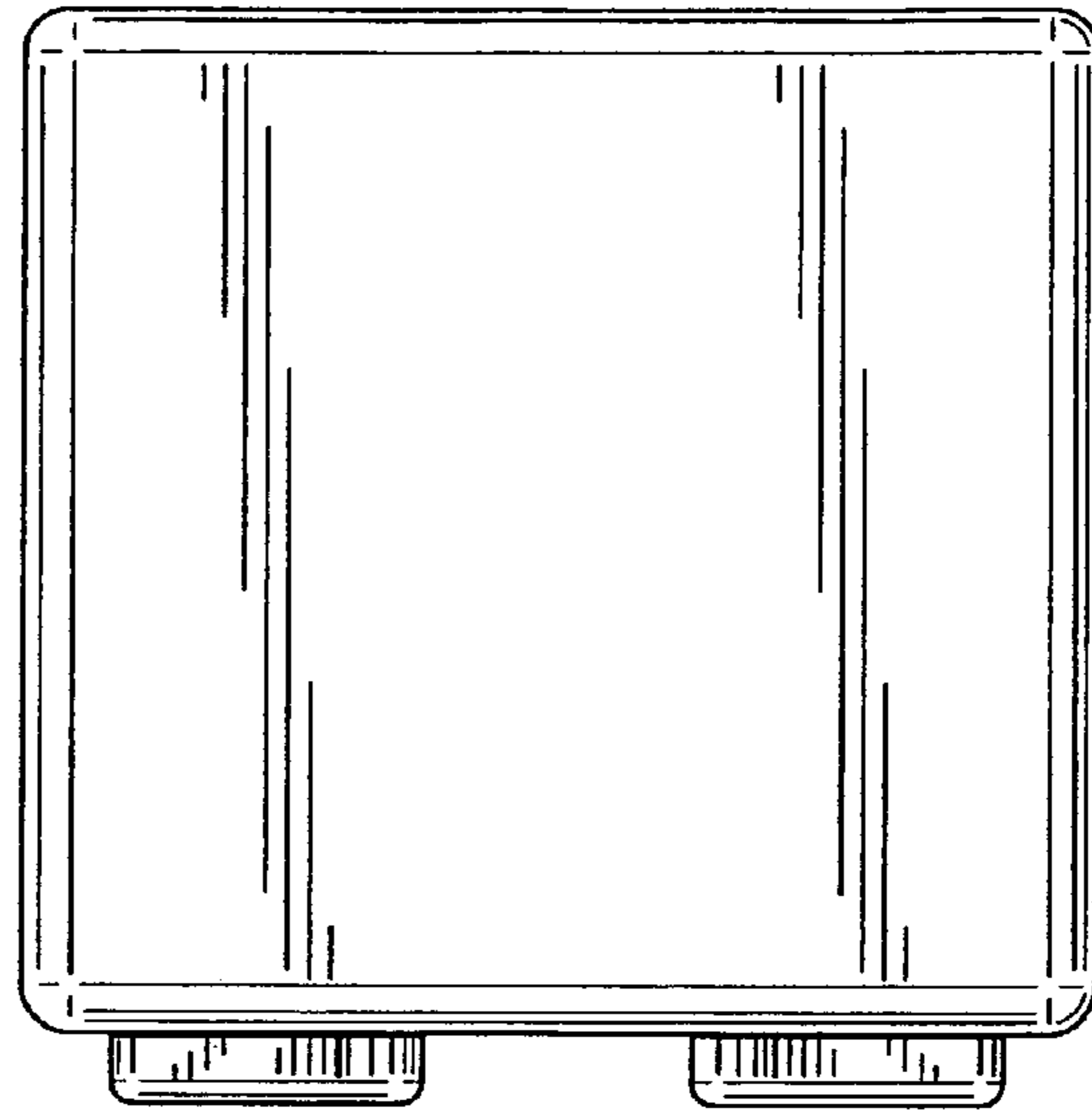


Fig. 3

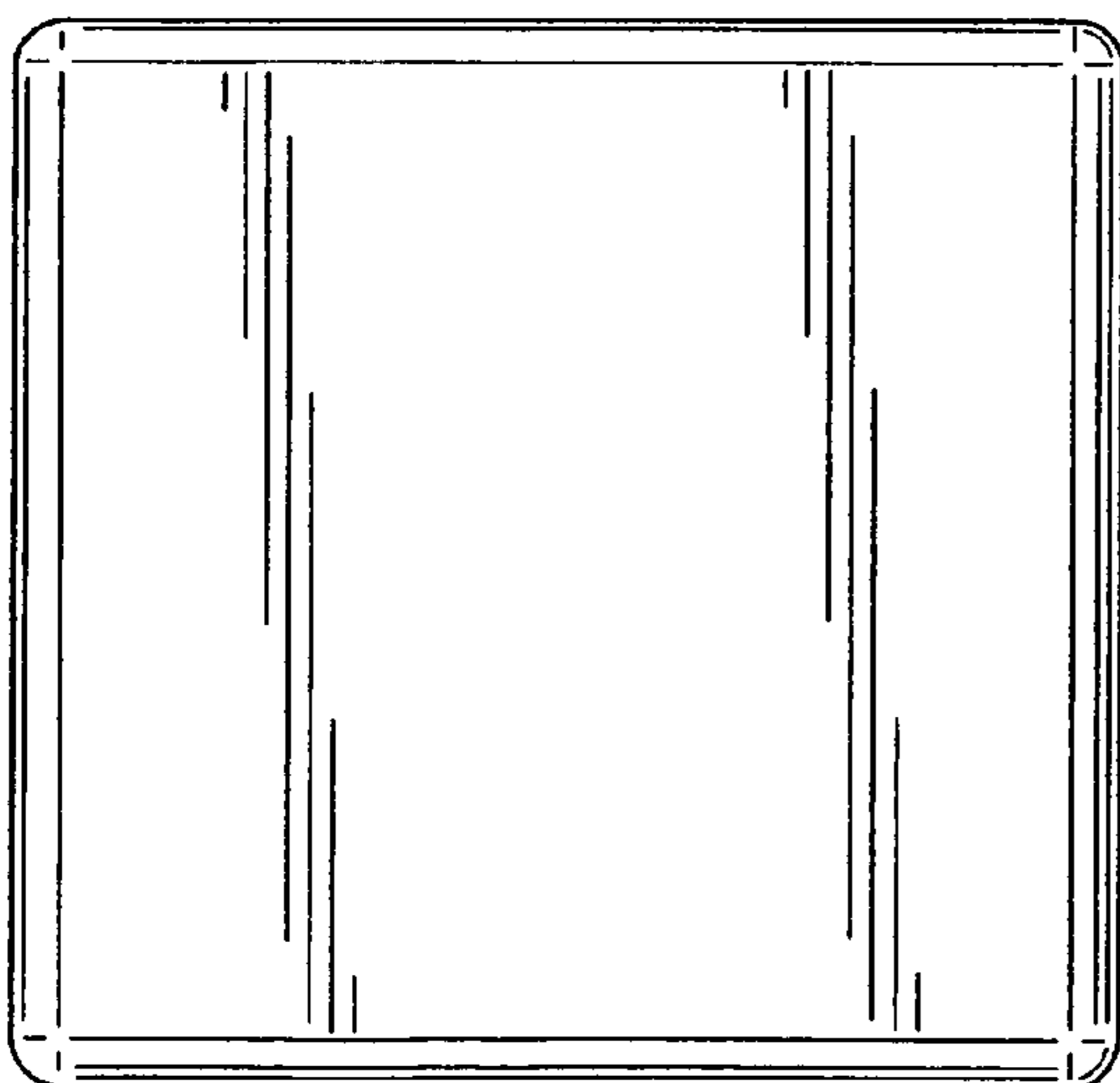


Fig. 4

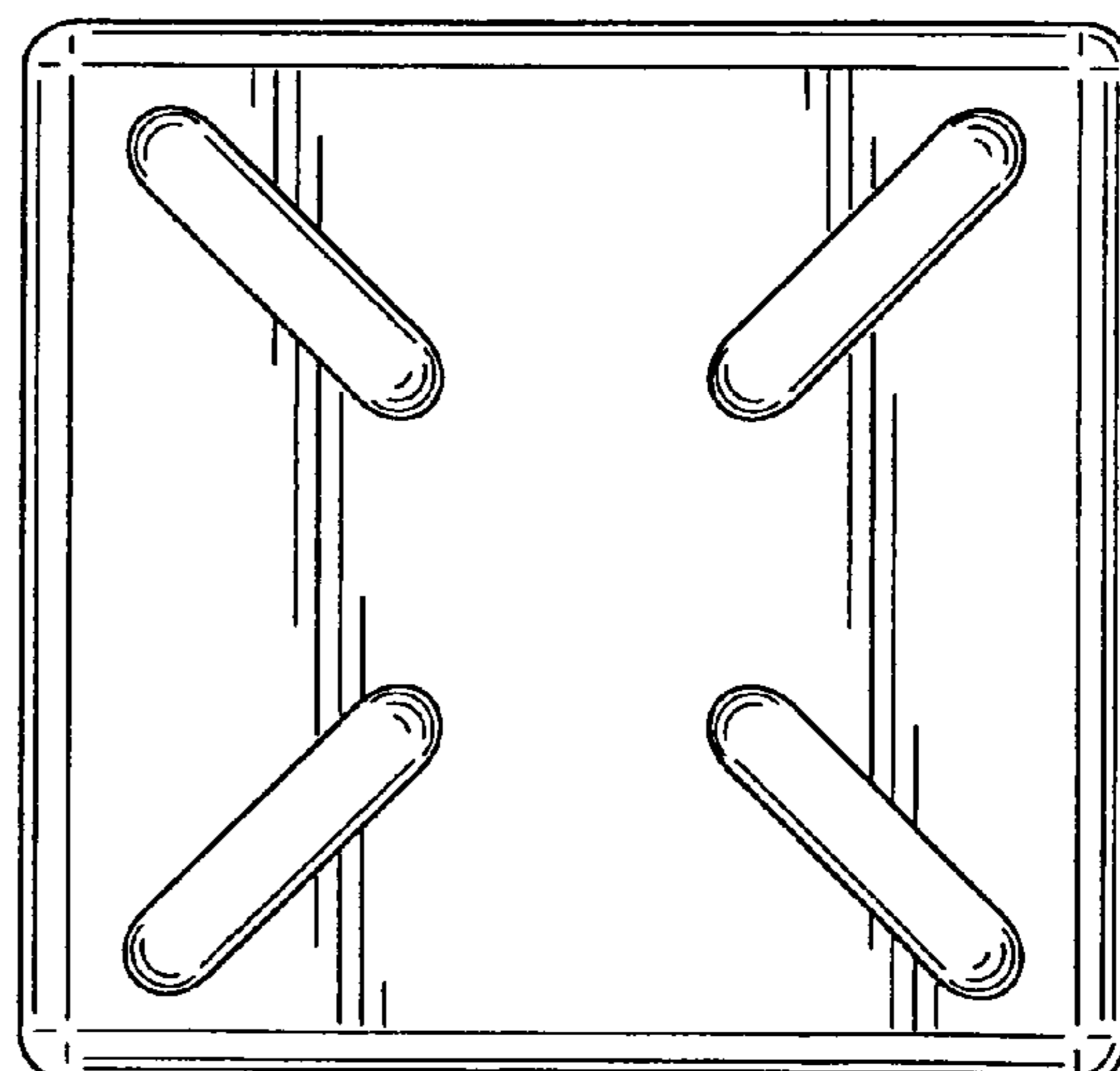


Fig. 5

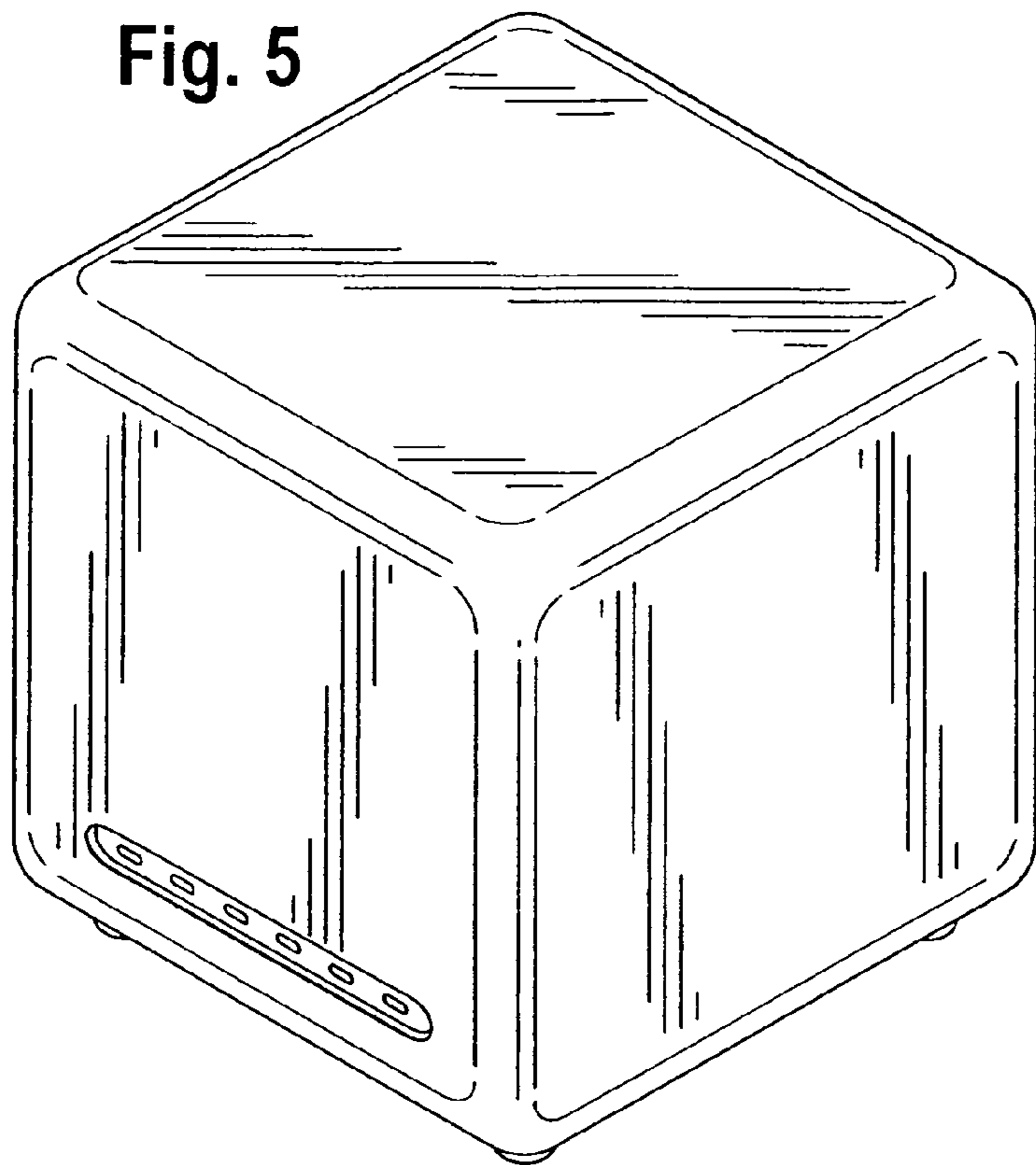


Fig. 6

