



US00D598905S

(12) **United States Design Patent**
Cook

(10) **Patent No.:** **US D598,905 S**

(45) **Date of Patent:** **** Aug. 25, 2009**

(54) **ANTENNA FEED HORN**

(76) **Inventor:** **Scott J. Cook**, 793 Cheswick Cir.,
Woodstock, GA (US) 30189

(**) **Term:** **14 Years**

(21) **Appl. No.:** **29/230,308**

(22) **Filed:** **May 18, 2005**

(51) **LOC (9) Cl.** **14-03**

(52) **U.S. Cl.** **D14/236**

(58) **Field of Classification Search** D14/230–238,
D14/299, 358; 343/700 R, 840, 841, 908,
343/786, 772, 781; 455/3.02, FOR. 215,
455/575.2

See application file for complete search history.

(56) **References Cited**

U.S. PATENT DOCUMENTS

| | | | | | |
|-----------|-----|---------|-----------------|-------|-----------|
| 2,825,060 | A * | 2/1958 | Ruze | | 343/756 |
| 4,356,495 | A * | 10/1982 | Morz | | 343/786 |
| 4,380,014 | A * | 4/1983 | Howard | | 343/786 |
| 4,498,061 | A * | 2/1985 | Morz et al. | | 333/21 A |
| D306,593 | S * | 3/1990 | Ono et al. | | D14/231 |
| 5,109,232 | A * | 4/1992 | Monte | | 343/785 |
| 5,438,340 | A * | 8/1995 | Fukuzawa et al. | | 343/781 R |
| 5,552,797 | A * | 9/1996 | Cook | | 343/786 |
| 5,614,916 | A * | 3/1997 | Mizuguchi | | 343/786 |
| 5,894,289 | A * | 4/1999 | Tamura | | 343/786 |

| | | | | | |
|--------------|------|---------|----------------|-------|-----------|
| 7,002,528 | B2 * | 2/2006 | Moheb | | 343/781 R |
| 7,239,285 | B2 * | 7/2007 | Cook | | 343/786 |
| 2004/0021614 | A1 * | 2/2004 | Moheb | | 343/840 |
| 2005/0237253 | A1 * | 10/2005 | Kuo et al. | | 343/772 |
| 2006/0044207 | A1 * | 3/2006 | Dolson | | 343/878 |
| 2006/0050004 | A1 * | 3/2006 | Hsiu et al. | | 343/786 |
| 2006/0125706 | A1 * | 6/2006 | Amyotte et al. | | 343/786 |

* cited by examiner

Primary Examiner—T. Chase Nelson
Assistant Examiner—John Windmuller

(74) *Attorney, Agent, or Firm*—Michael J. Mehrman;
Mehrman Law Office PC

(57) **CLAIM**

The ornamental design for the antenna feed horn, as shown and described.

DESCRIPTION

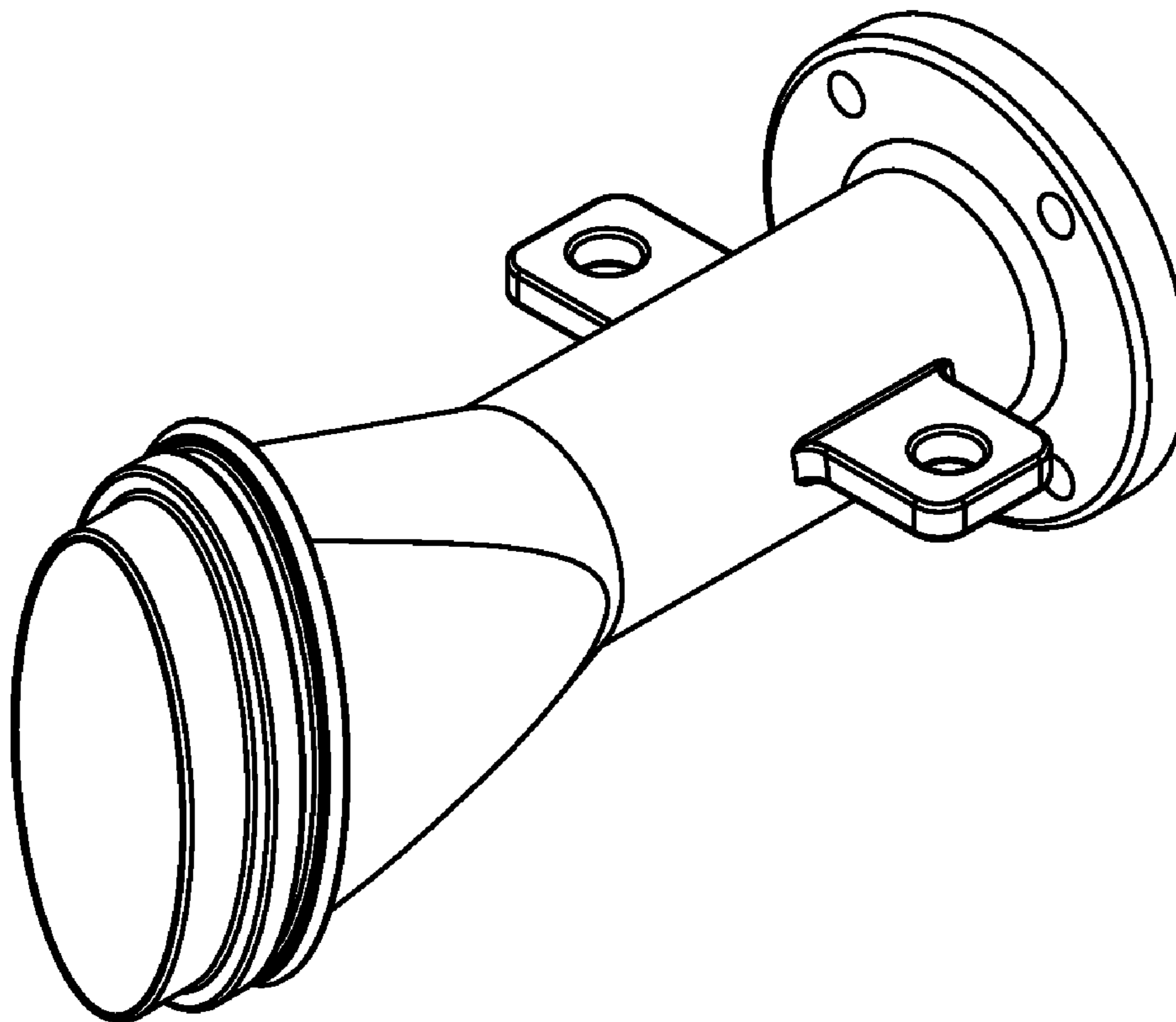
FIG. 1 is a top perspective view of an antenna feed horn showing my new design;

FIG. 2 is a top plan view thereof; and,

FIG. 3 is a cross-sectional view thereof, taken along line 3—3 in FIG. 2.

The broken line showing of elements of the antenna feed horn depicts environment only and forms no part of the claimed design.

1 Claim, 1 Drawing Sheet



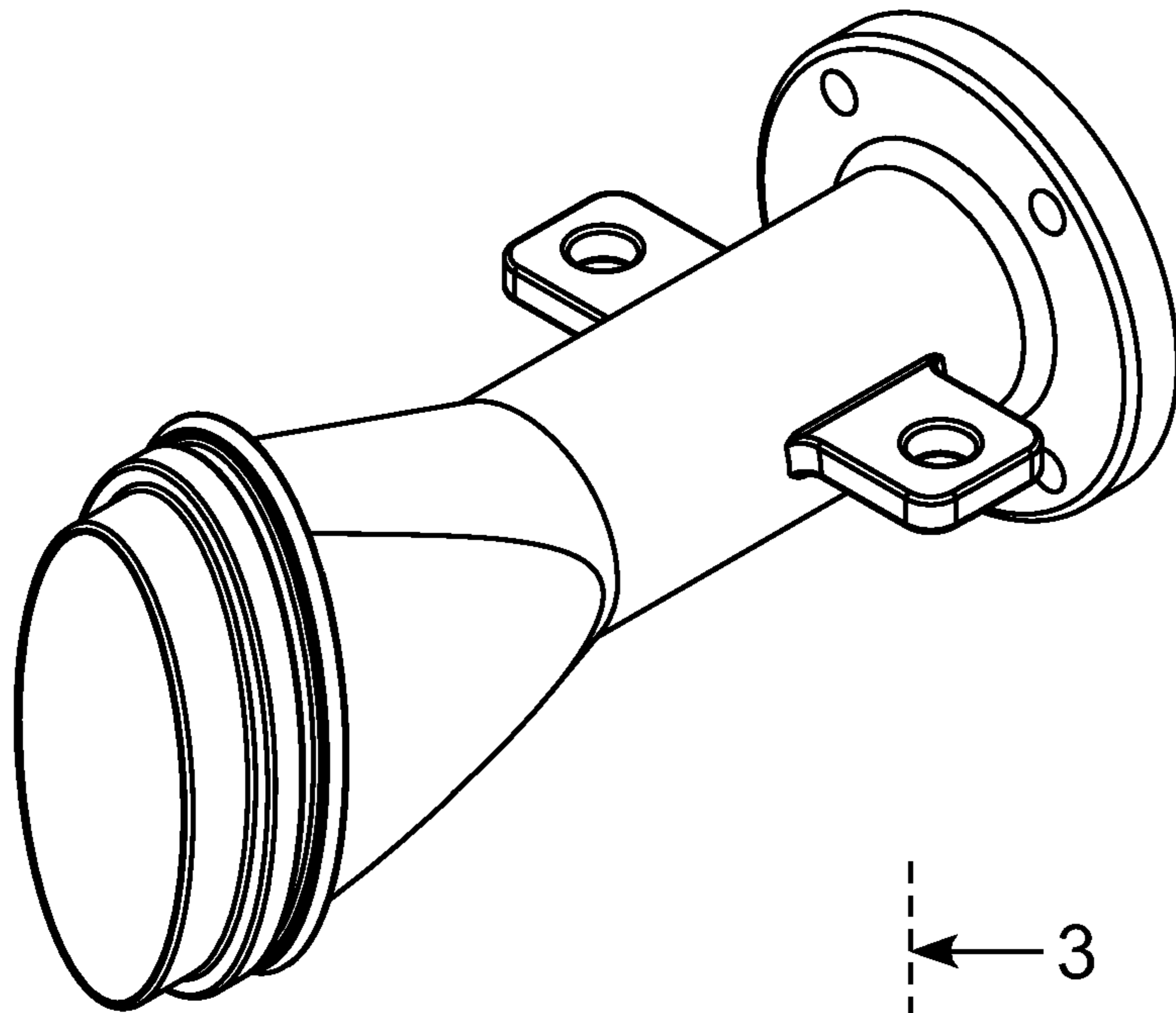


FIG. 1

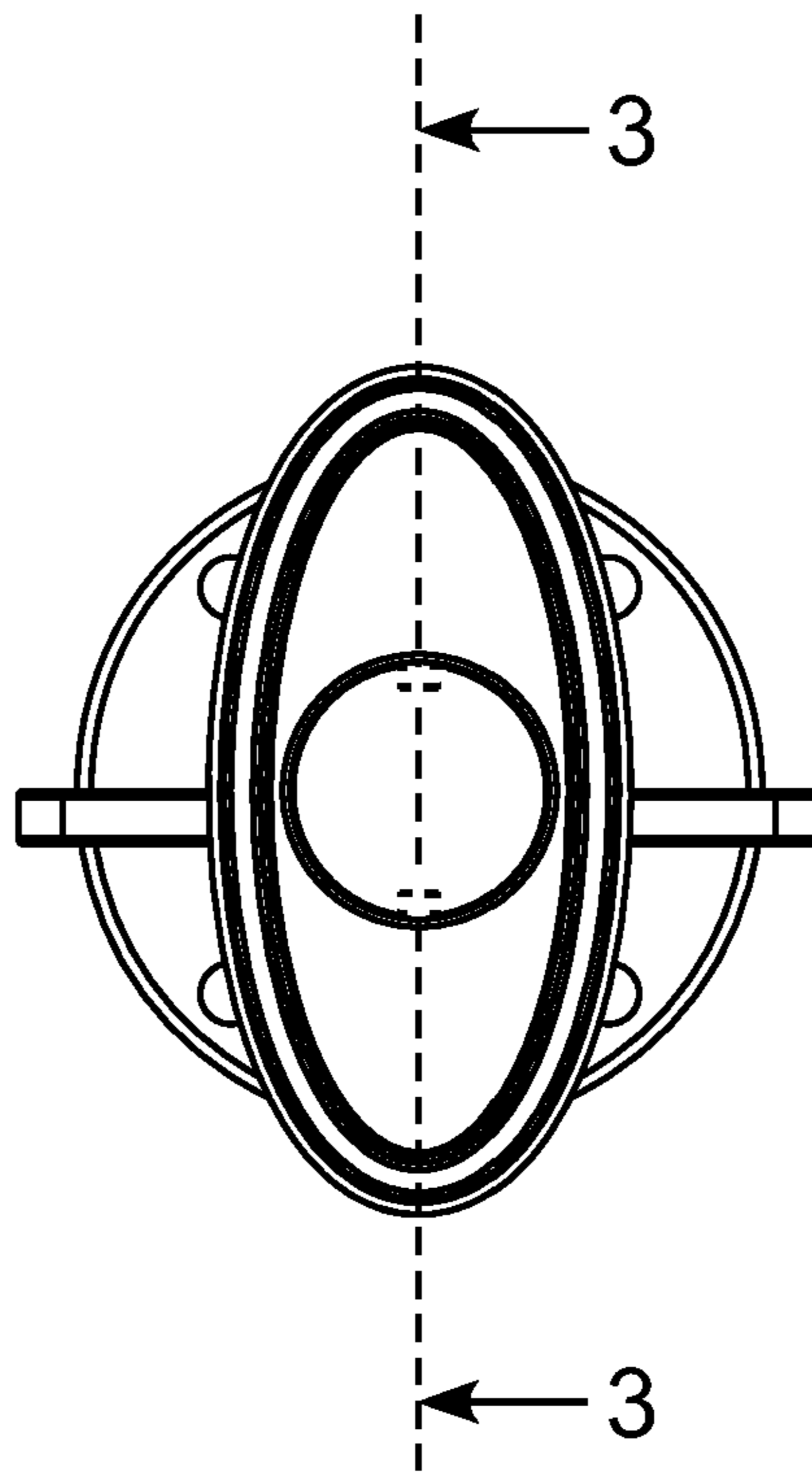


FIG. 2

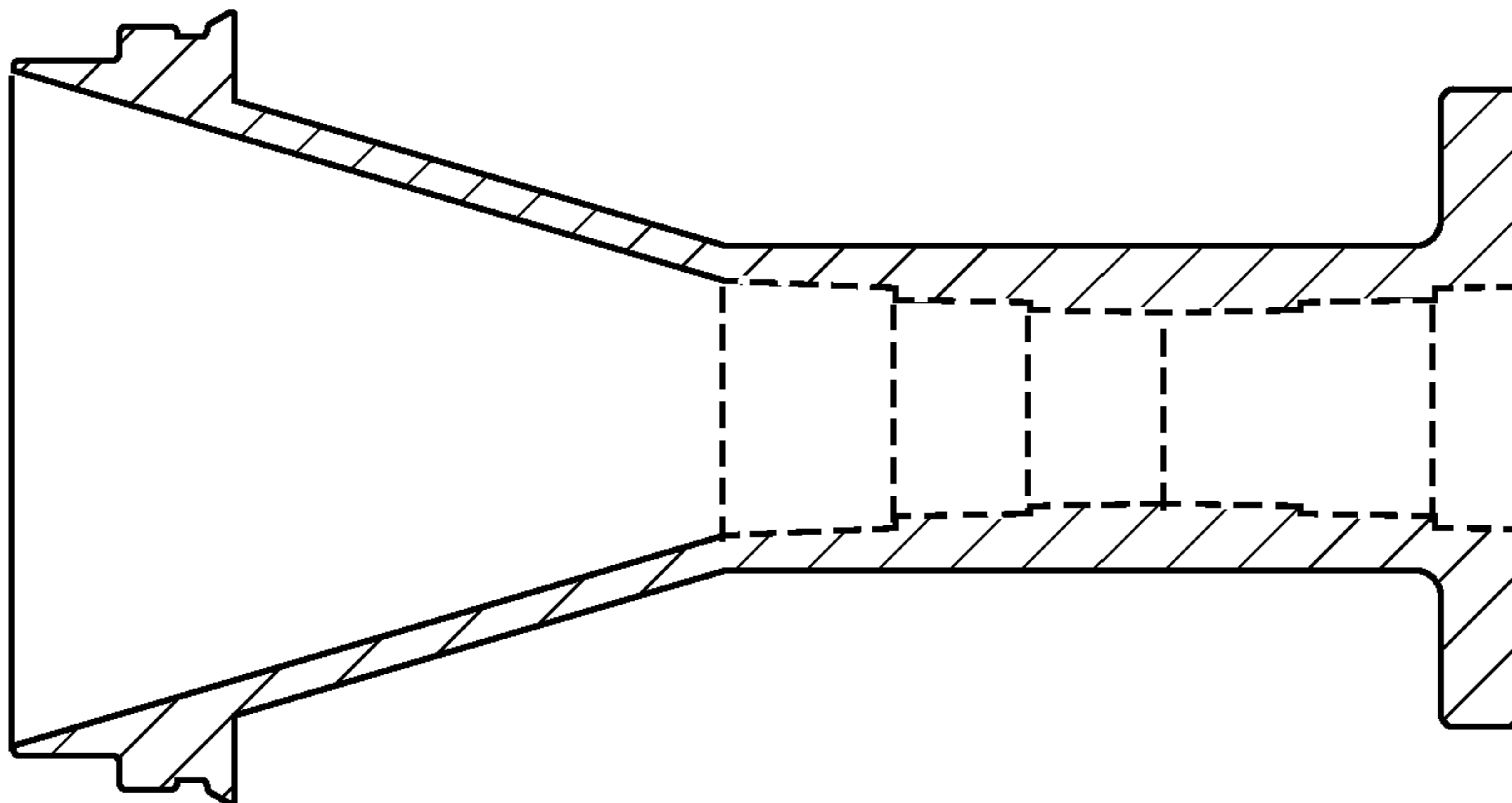


FIG. 3