



US00D598901S

(12) **United States Design Patent**
Lee et al.

(10) **Patent No.:** **US D598,901 S**
(45) **Date of Patent:** **** Aug. 25, 2009**

(54) **PAIR OF IN EAR HEADPHONES**

D579,005 S * 10/2008 Wilhelmsen D14/223
D579,444 S * 10/2008 Ewert et al. D14/223

(75) Inventors: **Noel Lee**, Las Vegas, NV (US); **Kevin Lee**, El Cerrito, CA (US); **Jacky Hsiung**, San Jose, CA (US)

* cited by examiner

(73) Assignee: **Monster Cable Products, Inc.**, Brisbane, CA (US)

Primary Examiner—Paula Greene
(74) *Attorney, Agent, or Firm*—LaRiviere, Grubman & Payne, LLP

(**) Term: **14 Years**

(57) **CLAIM**

(21) Appl. No.: **29/320,920**

The ornamental design for pair of in ear headphones, as shown and described.

(22) Filed: **Jul. 8, 2008**

DESCRIPTION

(51) **LOC (9) Cl.** **14-01**

FIG. 1 is a perspective view of pair of in ear headphones, in accordance with the present invention.

(52) **U.S. Cl.** **D14/223**

FIG. 2 is a front view of pair of in ear headphones, in accordance with the present invention.

(58) **Field of Classification Search** D14/205,
D14/206, 223; 181/129, 130, 135; 379/430,
379/431, 433.01; 381/380, 381; 455/90.3,
455/569.1

FIG. 3 is a rear view of pair of in ear headphones, in accordance with the present invention.

See application file for complete search history.

FIG. 4 is a side view of pair of in ear headphones, in accordance with the present invention.

(56) **References Cited**

U.S. PATENT DOCUMENTS

2,248,837	A	*	7/1941	Walters	381/380
2,430,229	A	*	11/1947	Kelsey	381/338
2,545,731	A	*	3/1951	French	181/135
2,739,660	A	*	3/1956	French	181/135
D309,306	S	*	7/1990	Weiser et al.	D14/249
5,625,171	A	*	4/1997	Marshall	181/130
5,659,156	A	*	8/1997	Mauney et al.	181/130
D482,348	S	*	11/2003	Villaverde et al.	D14/223
D535,642	S	*	1/2007	Garcia et al.	D14/206
D554,109	S	*	10/2007	Ledbetter et al.	D14/223
D576,154	S	*	9/2008	Ledbetter et al.	D14/223

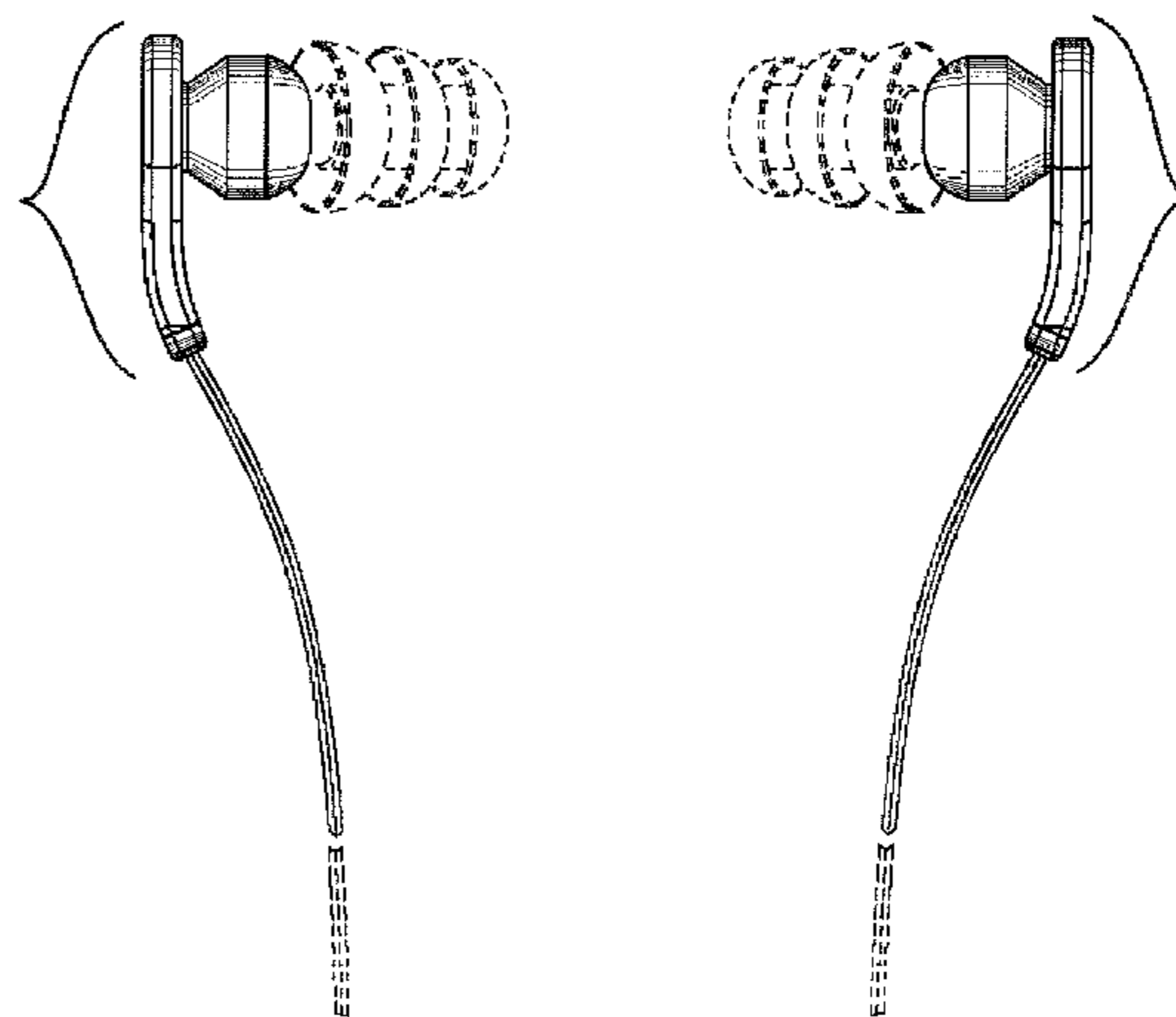
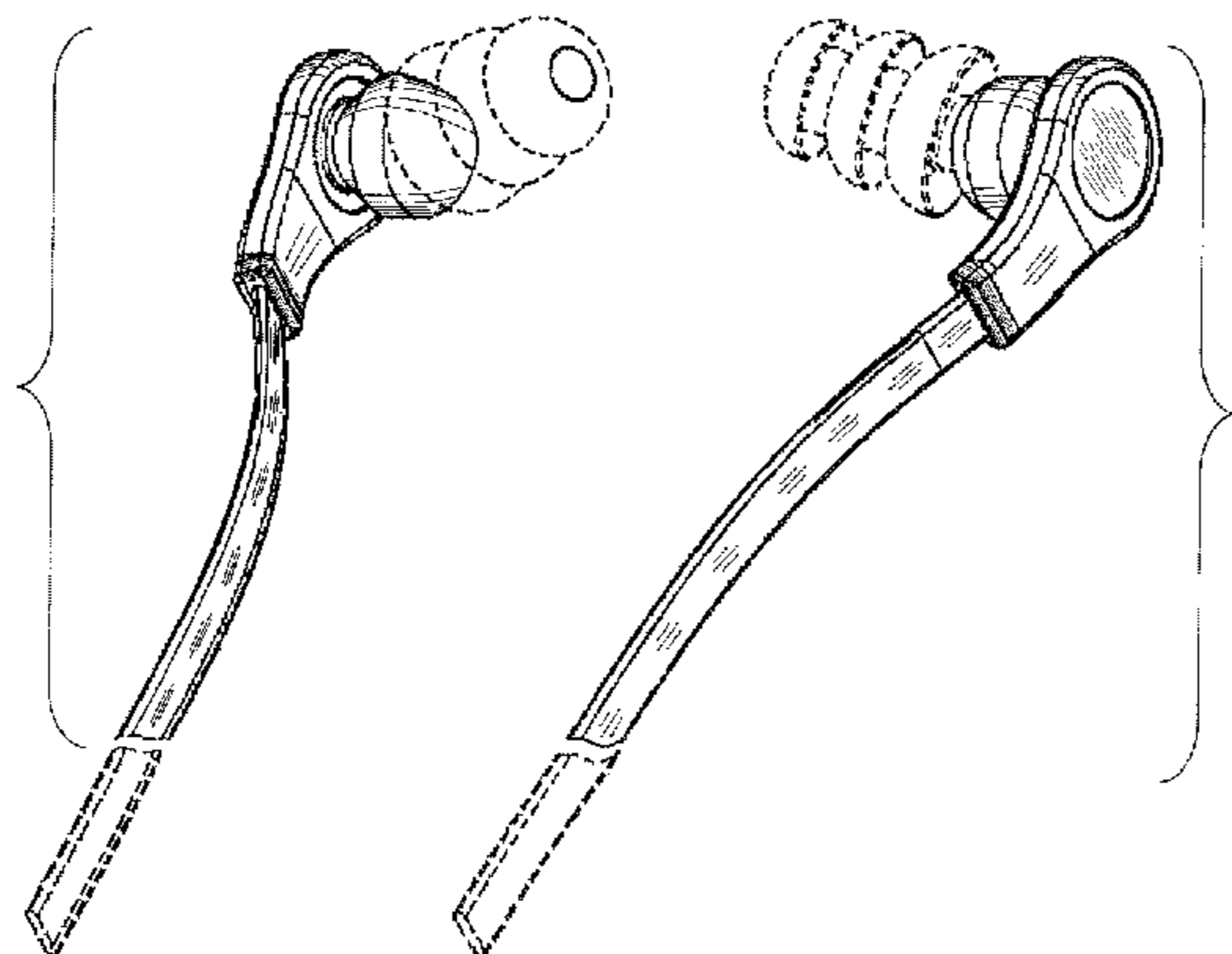
FIG. 5 is an opposing side view of pair of in ear headphones, in accordance with the present invention.

FIG. 6 is a top view of pair of in ear headphones, in accordance with the present invention; and,

FIG. 7 is a bottom view of pair of in ear headphones, in accordance with the present invention.

The broken lines showing the environment in the figures are for illustrative purposes only and form no part of the claimed design.

1 Claim, 4 Drawing Sheets



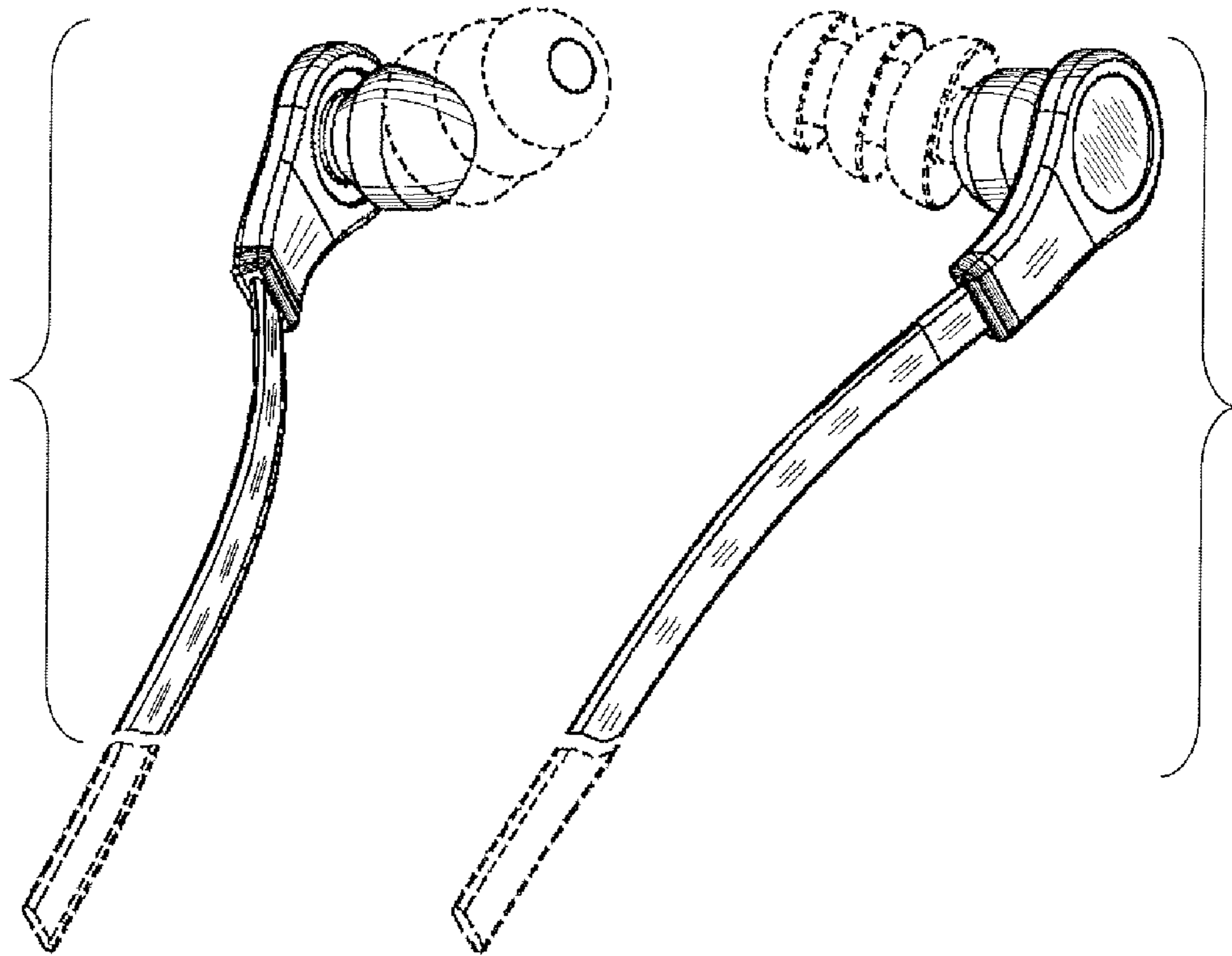


Figure 1

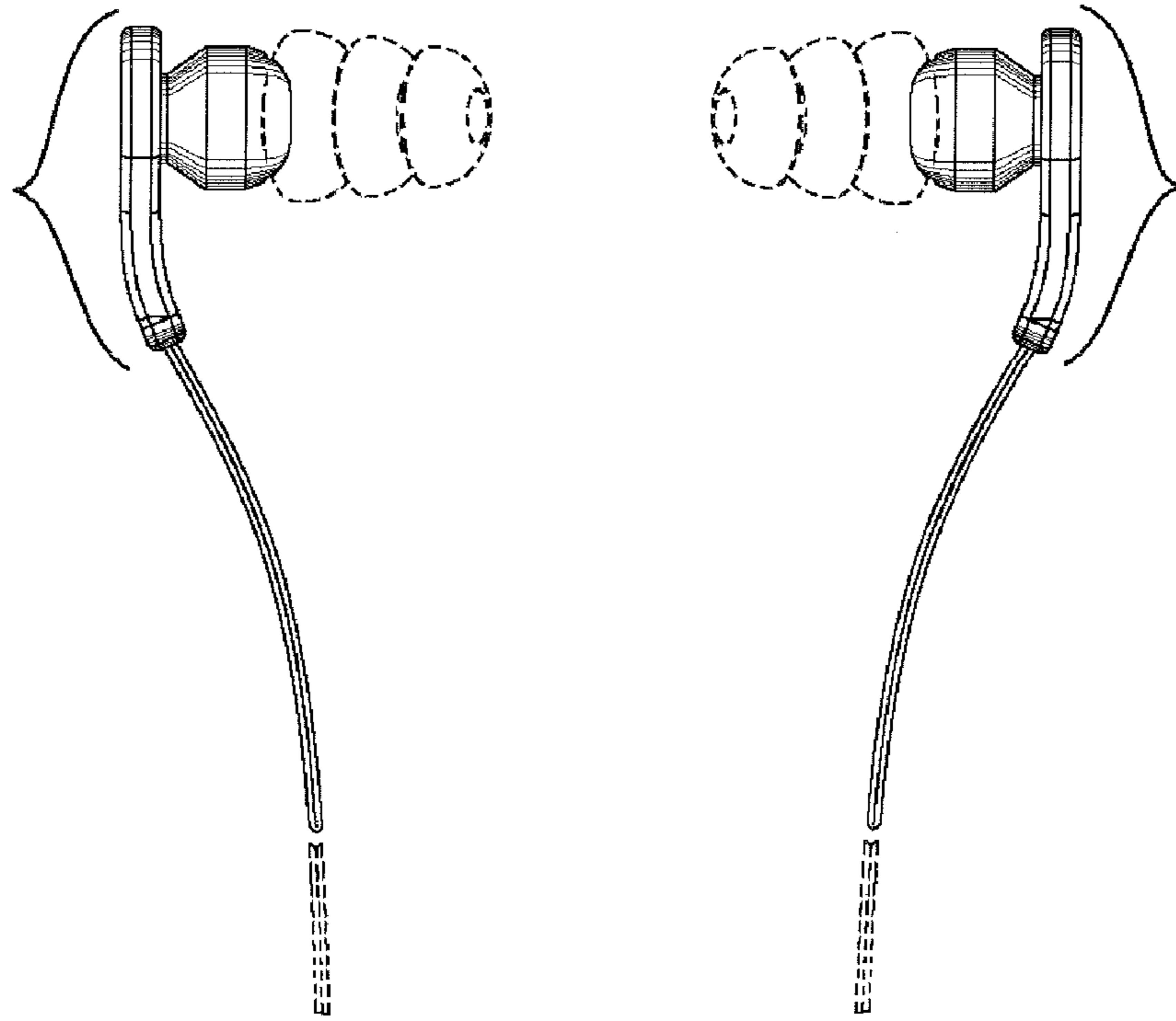


Figure 2

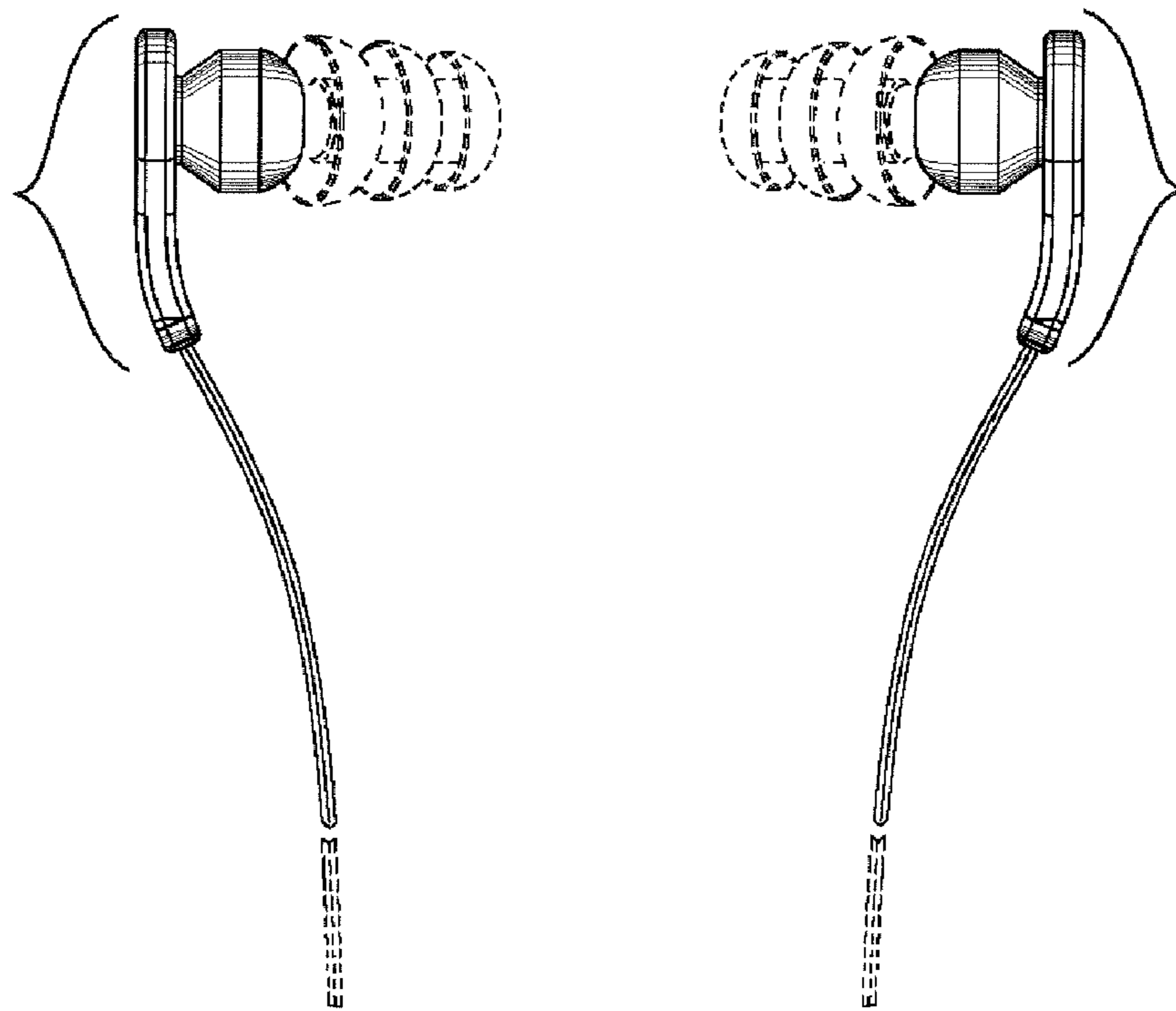


Figure 3

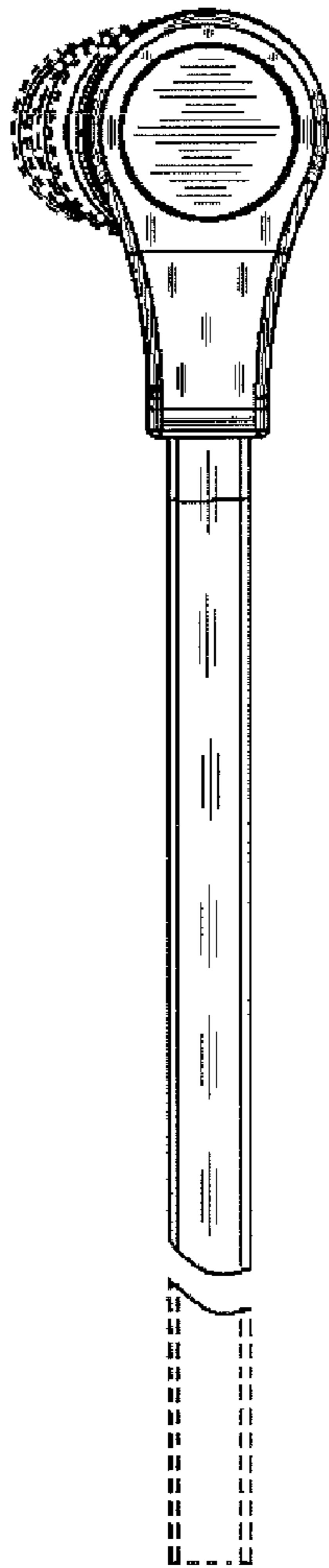


Figure 4

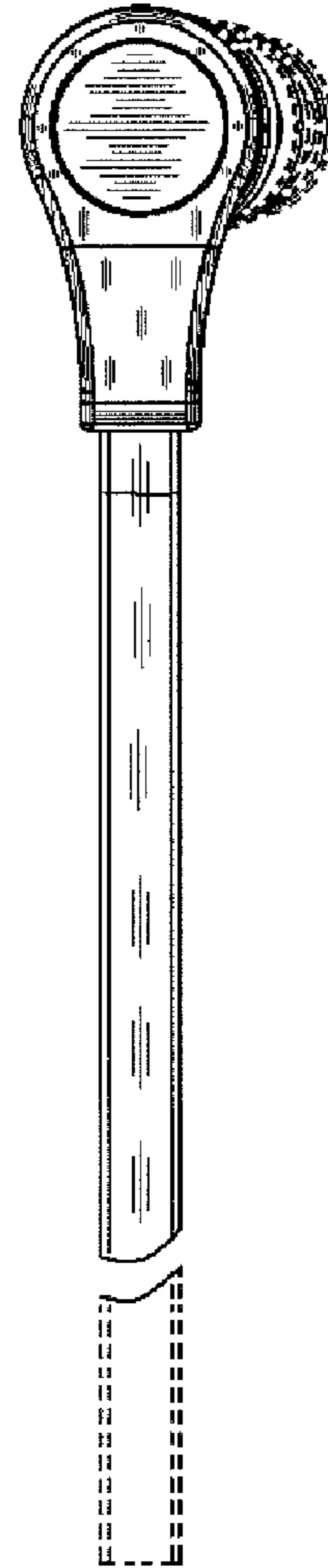


Figure 5

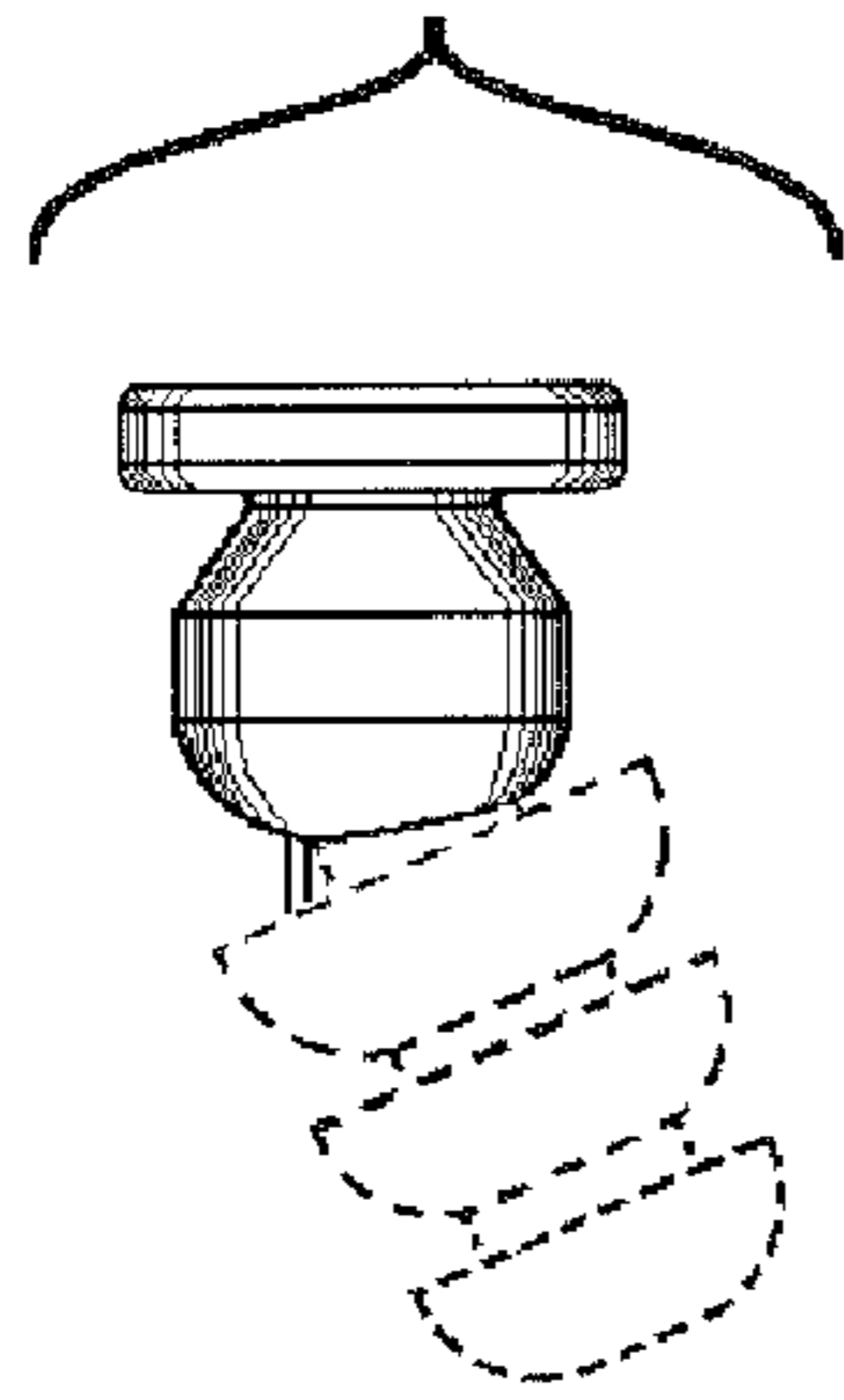


Figure 6

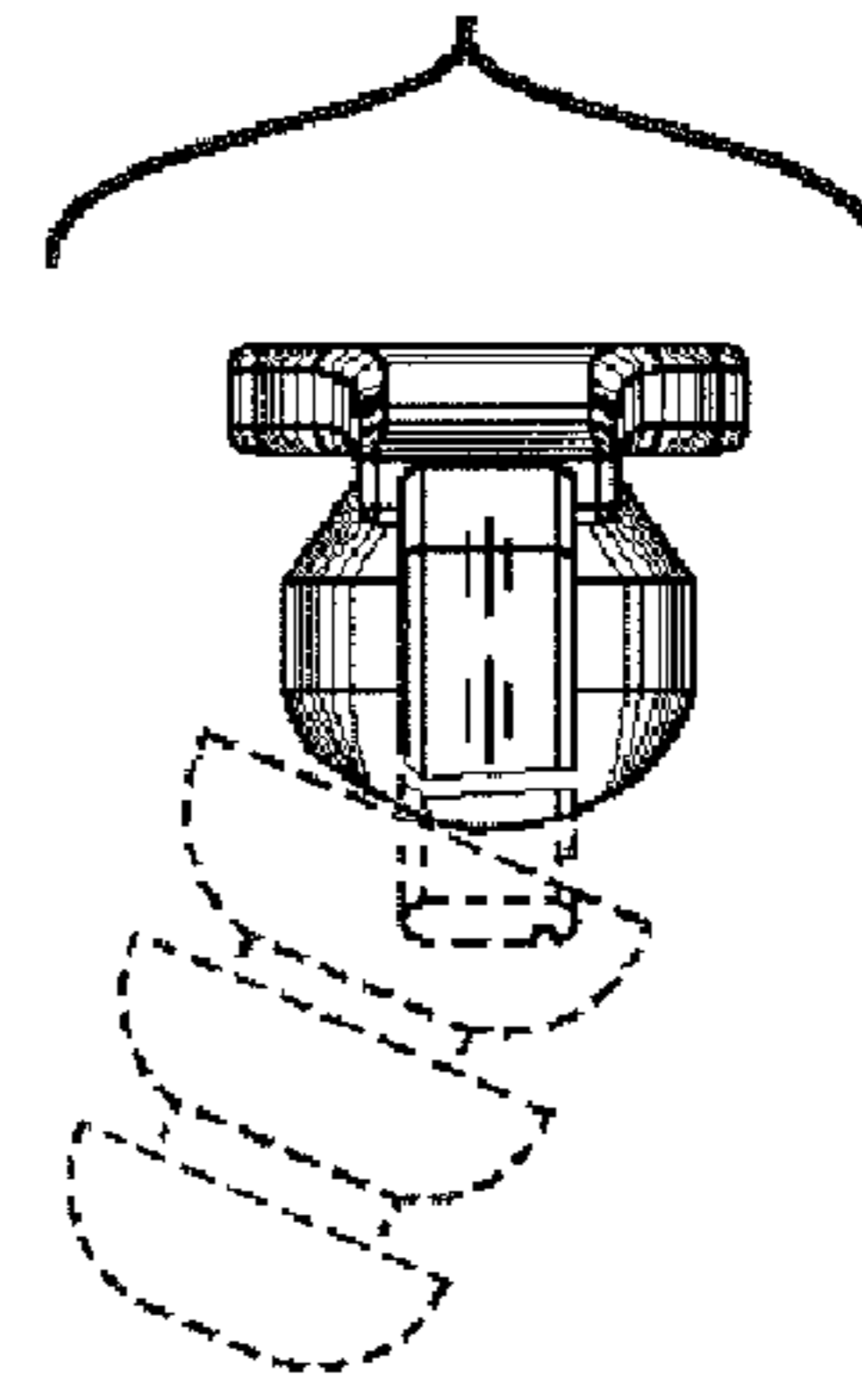


Figure 7