



US00D598900S

(12) **United States Design Patent**
Wikel et al.

(10) **Patent No.:** **US D598,900 S**
(45) **Date of Patent:** **** Aug. 25, 2009**

(54) **HEADSET FOR A COMMUNICATION DEVICE**

(75) Inventors: **Harold L. Wikel**, Muskego, WI (US);
John M. Miller, Garyslake, IL (US);
Ryan P. Rye, Duluth, GA (US)

(73) Assignee: **Motorola Inc.**, Schaumburg, IL (US)

(**) Term: **14 Years**

(21) Appl. No.: **29/317,669**

(22) Filed: **May 5, 2008**

(51) **LOC (9) Cl.** **14-01**

(52) **U.S. Cl.** **D14/223**

(58) **Field of Classification Search** D14/138,
D14/217, 188, 192, 205, 206, 223; 181/129,
181/130; 381/380, 381; 379/430, 433.01,
379/433.06; D24/174; 455/90.2, 90.3, 575.1,
455/575.2

See application file for complete search history.

(56) **References Cited**

U.S. PATENT DOCUMENTS

6,868,284 B2 *	3/2005	Bae	455/575.2
D517,054 S *	3/2006	Yang	D14/223
D533,540 S *	12/2006	Murray	D14/205
D538,271 S *	3/2007	Kim et al.	D14/223
D542,267 S *	5/2007	Cha et al.	D14/206
D553,613 S *	10/2007	Sade et al.	D14/223
D555,151 S *	11/2007	Eklund	D14/223
D559,836 S *	1/2008	Lee	D14/223
D566,105 S *	4/2008	Yang et al.	D14/223

D573,983 S *	7/2008	Bang et al.	D14/223
D575,277 S *	8/2008	Gaarde et al.	D14/223
D577,003 S *	9/2008	Yang et al.	D14/206
D581,396 S *	11/2008	Wikel et al.	D14/206
D582,397 S *	12/2008	Christopher	D14/223
D582,897 S *	12/2008	Christopher et al.	D14/223

* cited by examiner

Primary Examiner—Paula Greene

(74) *Attorney, Agent, or Firm*—David S. Noskowicz

(57) **CLAIM**

The ornamental design of a headset for a communication device, as shown and described.

DESCRIPTION

FIG. 1 is a perspective view of an ornamental design of a headset for a communication device;

FIG. 2 is a top view thereof;

FIG. 3 is a bottom view thereof;

FIG. 4 is a first side view thereof;

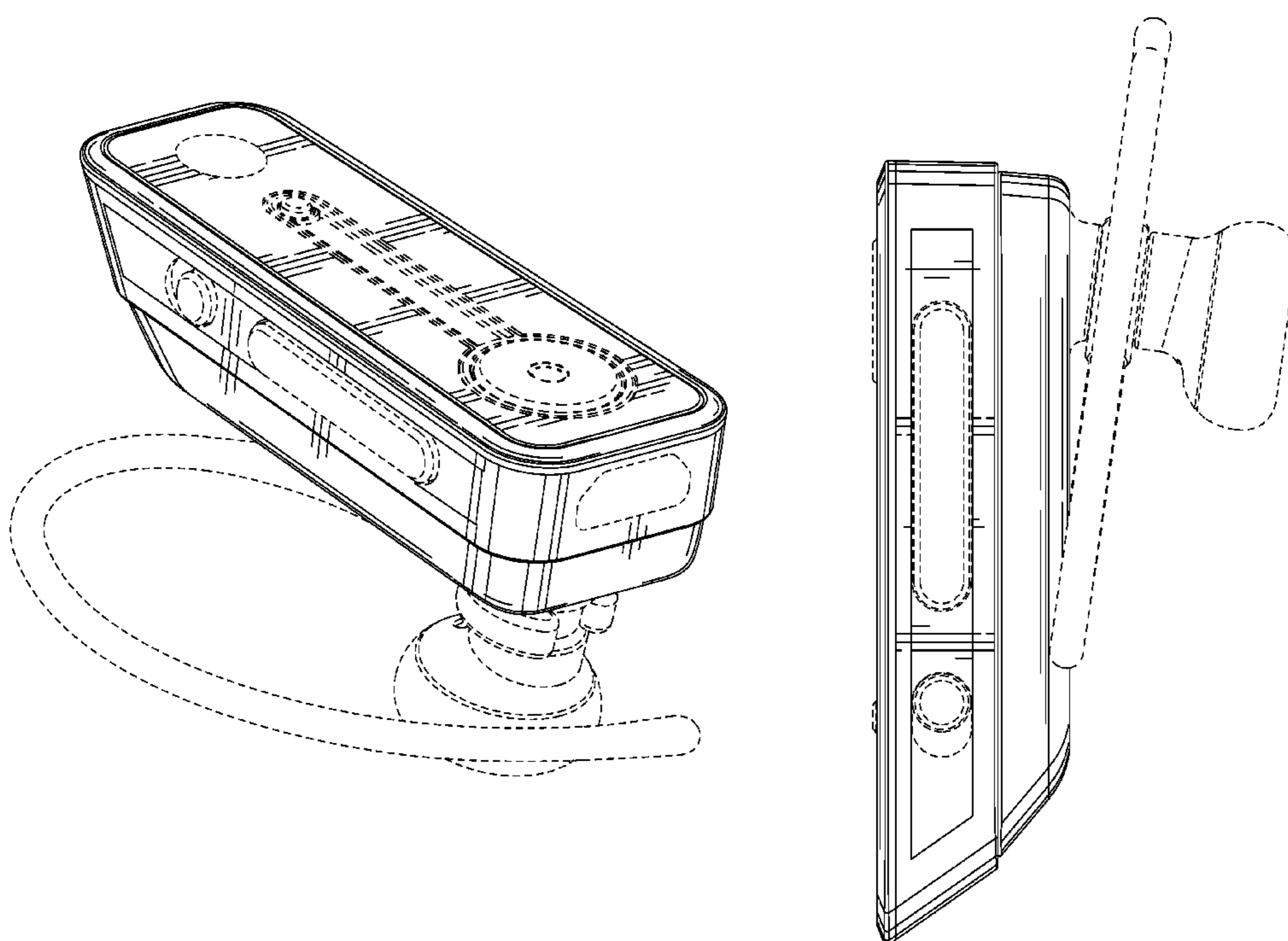
FIG. 5 is a second side view thereof;

FIG. 6 is a front view thereof; and,

FIG. 7 is a rear view thereof.

The broken lines shown in FIGS. 1–7 that are immediately adjacent to the shaded areas represent the bound of the claimed design, while all other broken lines are directed to environment and are for illustrative purposes only; the broken lines form no part of the claim design.

1 Claim, 6 Drawing Sheets



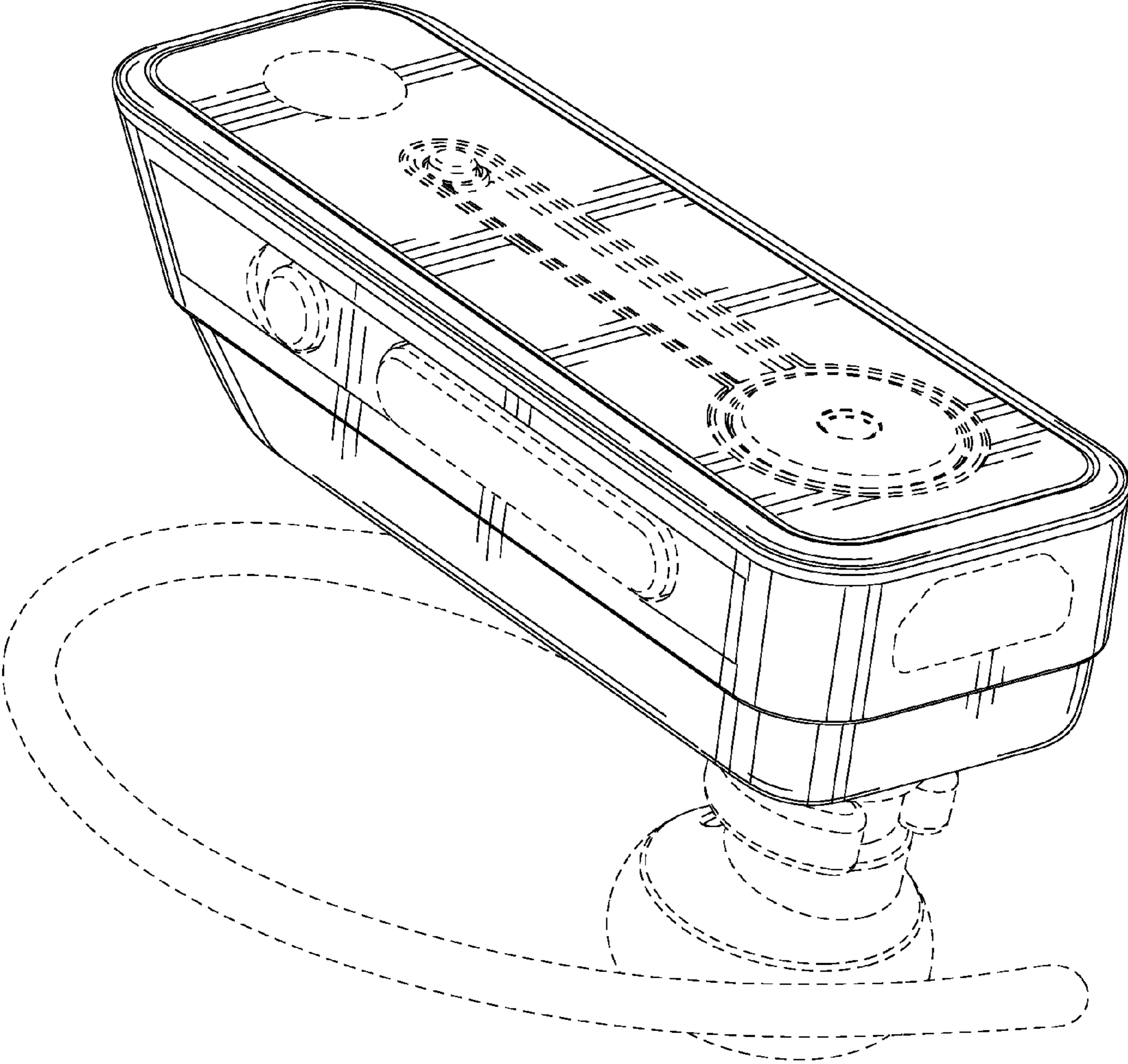


FIG. 1

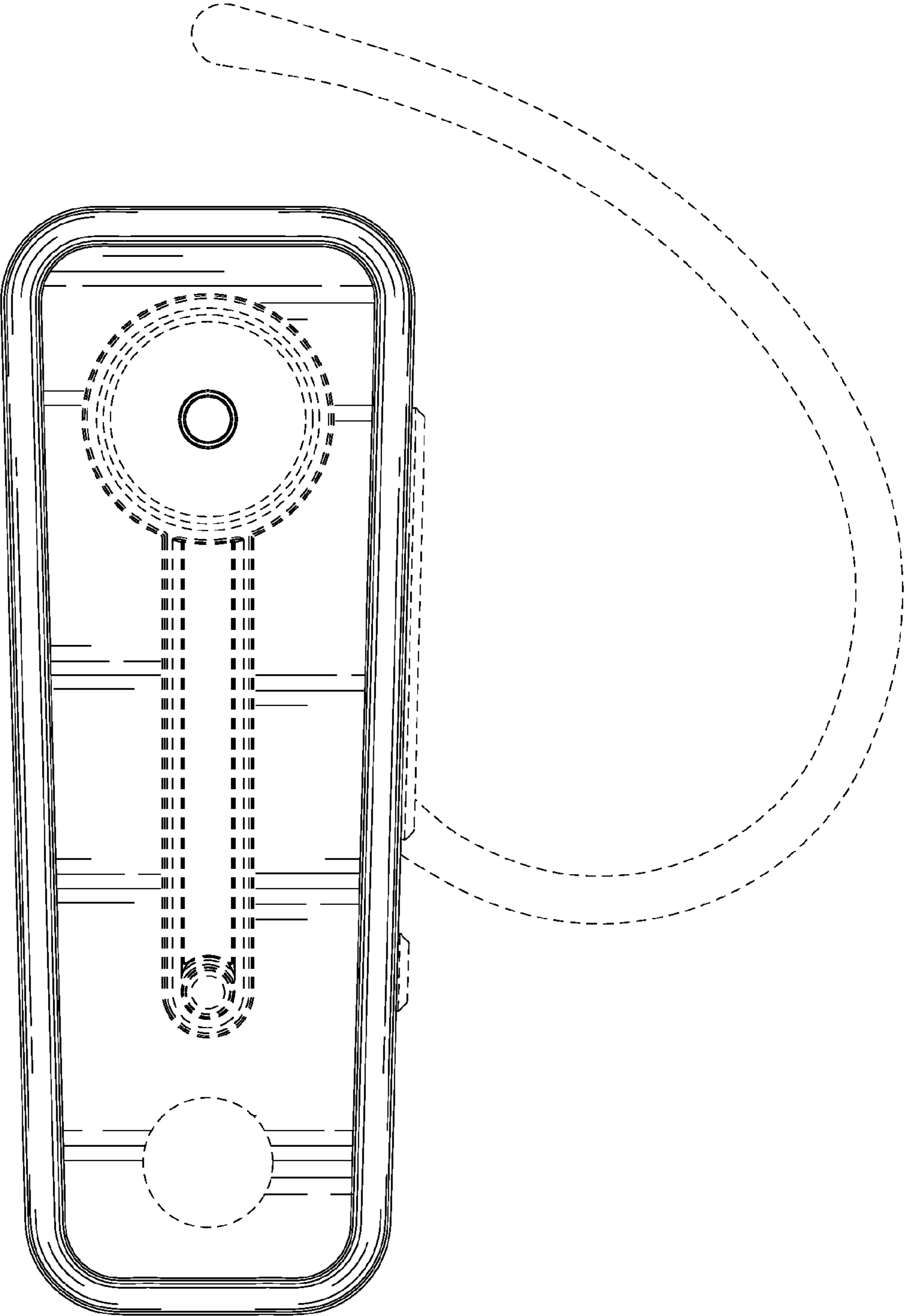


FIG. 2

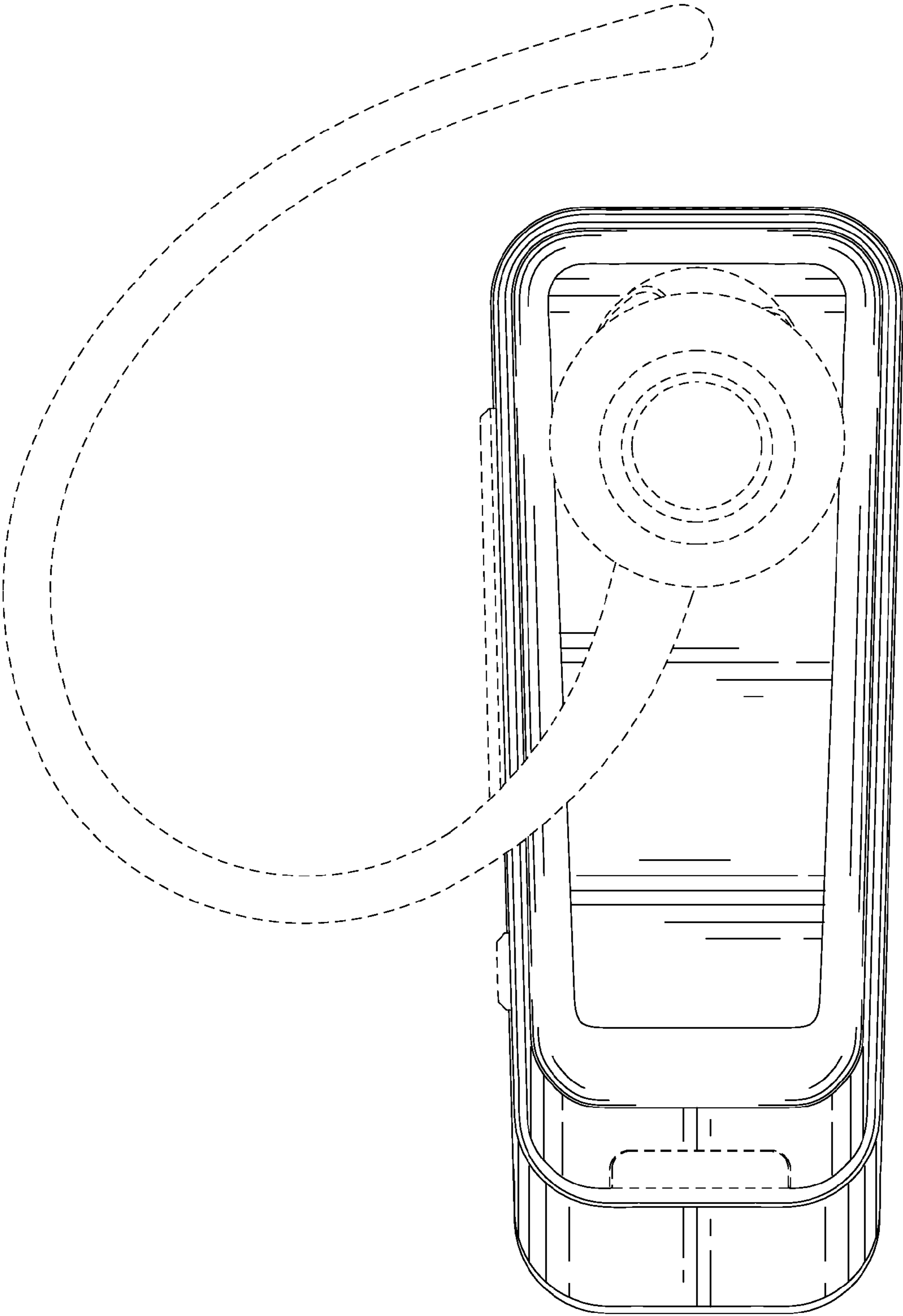


FIG. 3

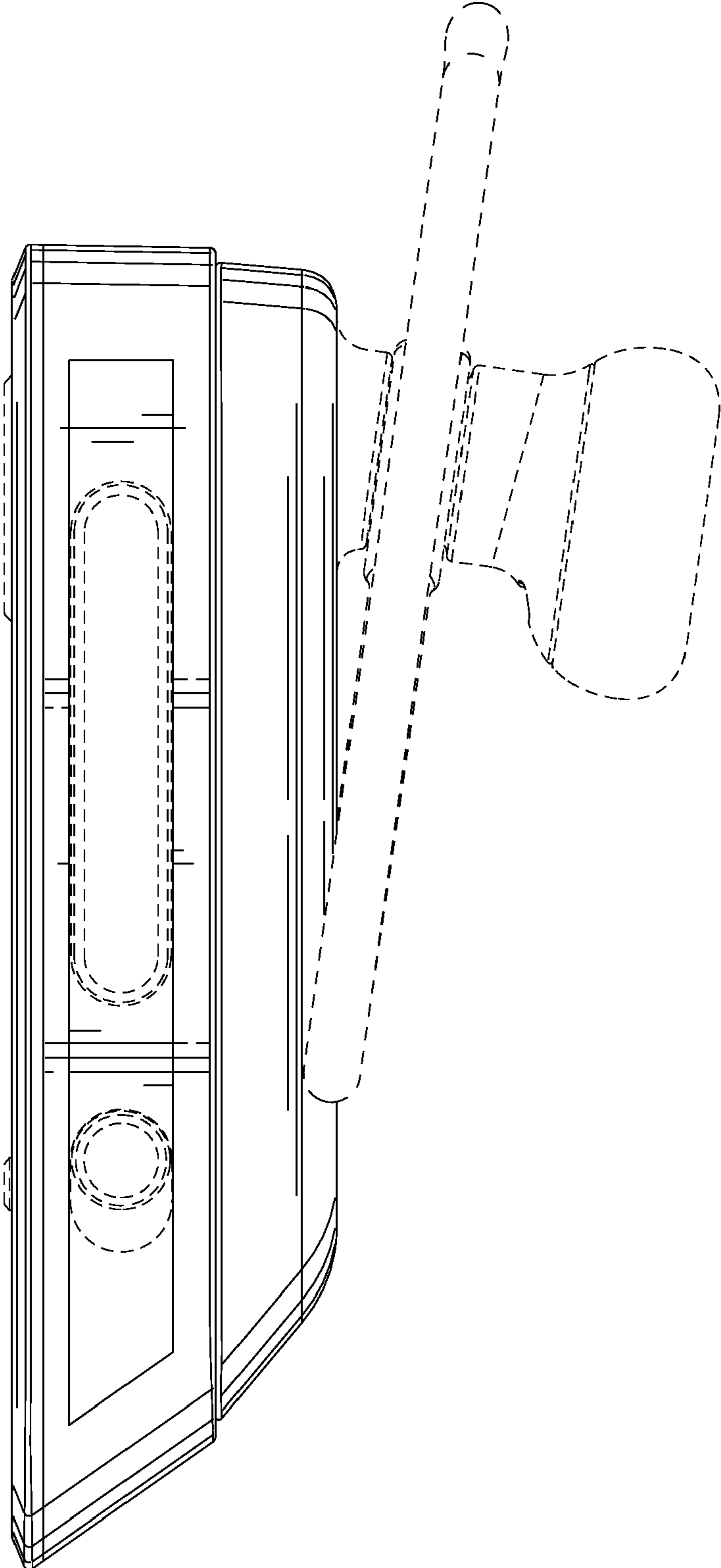


FIG. 4

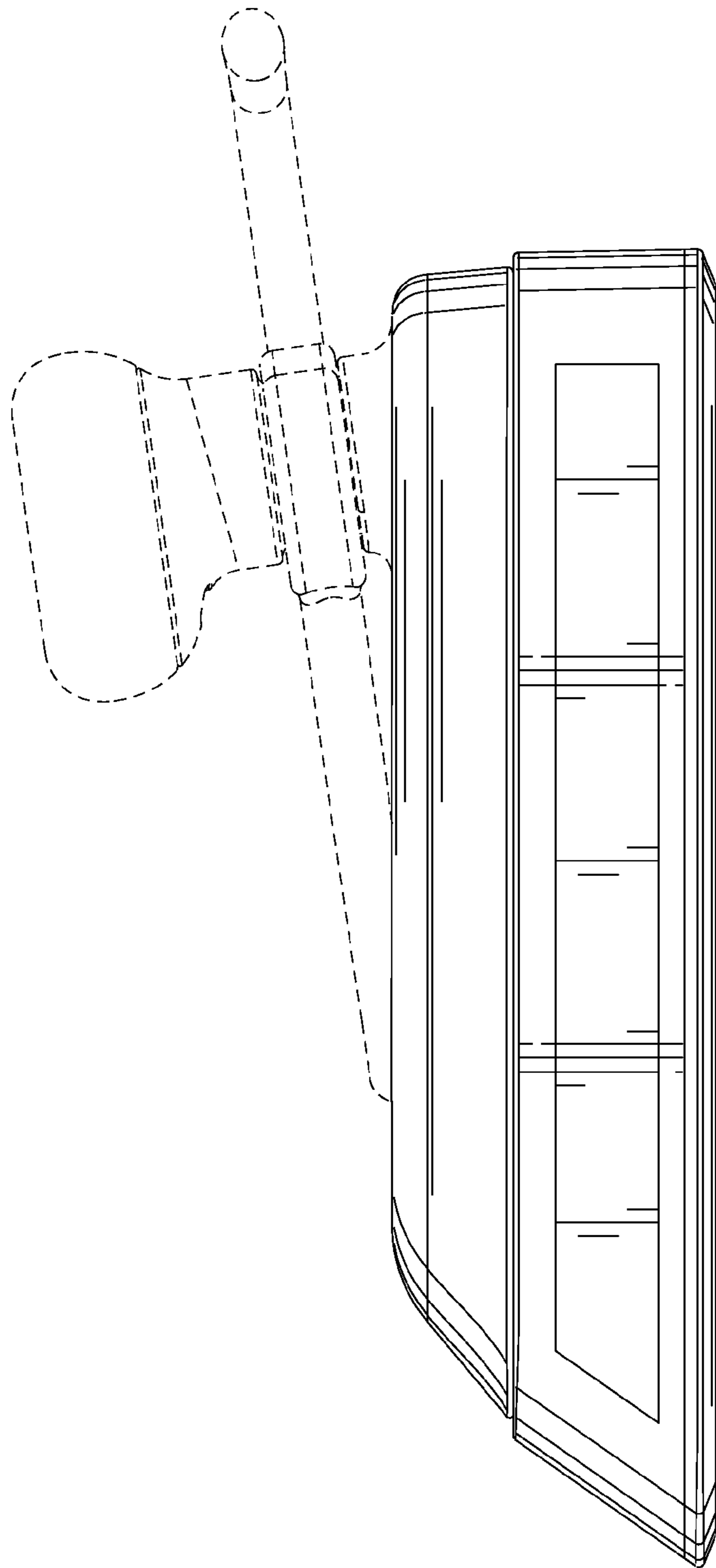


FIG. 5

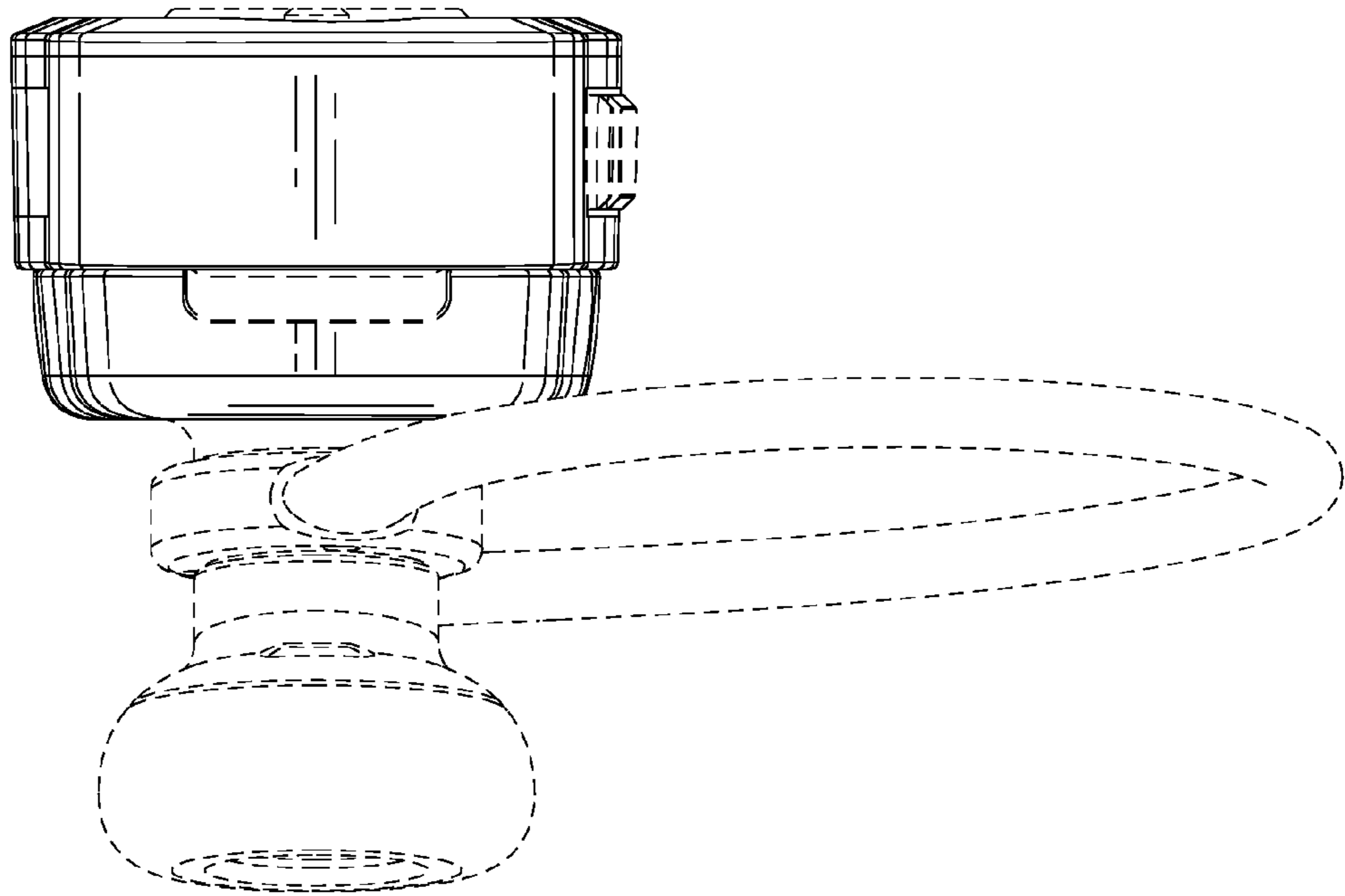


FIG. 6

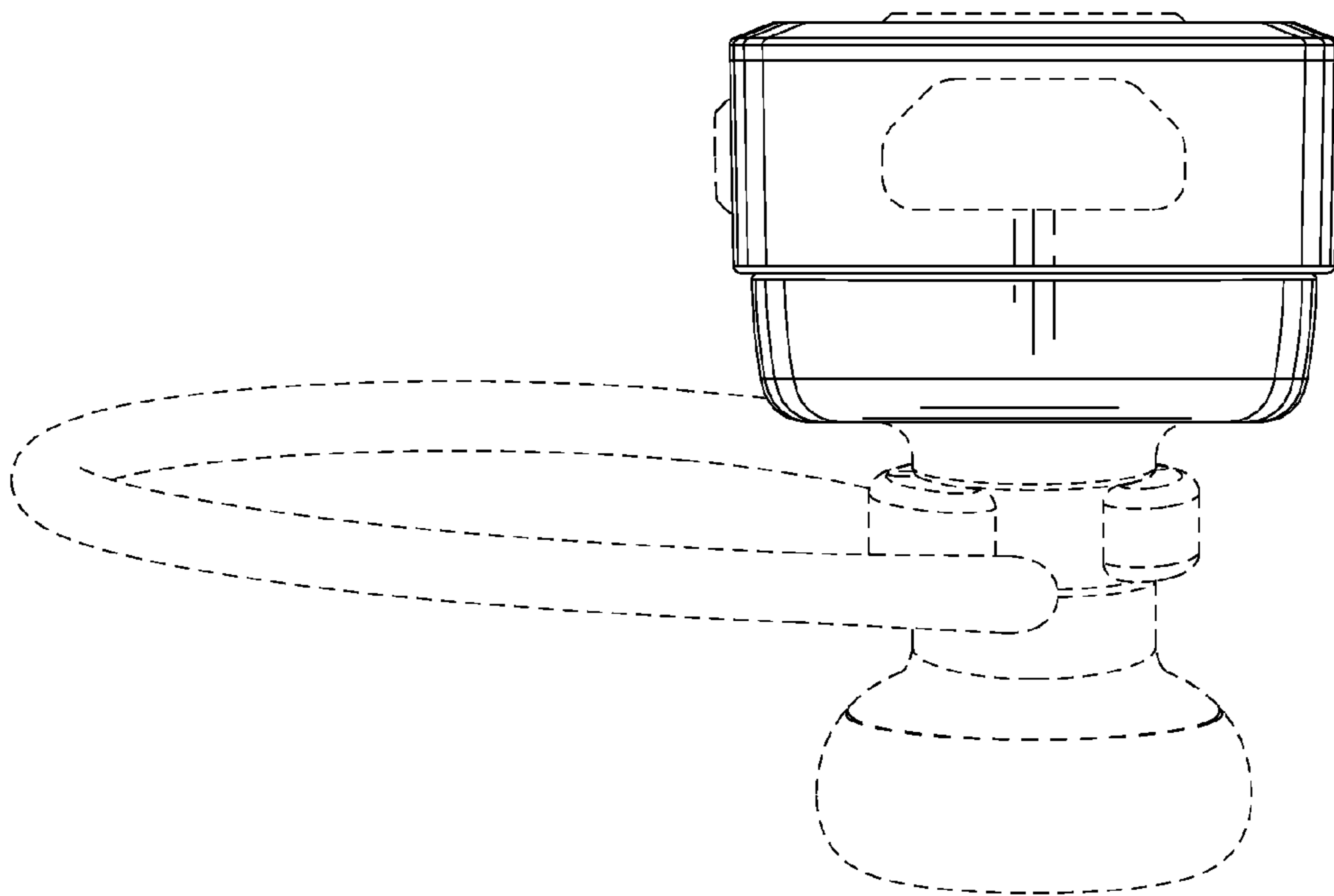


FIG. 7