

US00D598899S

(12) **United States Design Patent**
Tkachuk

(10) **Patent No.:** **US D598,899 S**

(45) **Date of Patent:** **** Aug. 25, 2009**

(54) **PORTABLE COMPACT BLUETOOTH SPEAKER**

D553,121 S * 10/2007 Gondo et al. D14/216
D562,310 S 2/2008 Moon et al.
D577,356 S 9/2008 Moon et al.
D579,442 S 10/2008 Kim et al.

(75) Inventor: **Steven Tkachuk**, Rancho Dominguez,
CA (US)

(73) Assignee: **Samsung Electronics Co., Ltd.**,
Kyunggi-do (KR)

(**) Term: **14 Years**

(21) Appl. No.: **29/312,955**

(22) Filed: **Nov. 25, 2008**

(30) **Foreign Application Priority Data**

Aug. 14, 2008 (KR) 30-2008-35336

(51) **LOC (9) Cl.** **14-01**

(52) **U.S. Cl.** **D14/216**

(58) **Field of Classification Search** D14/204,
D14/207, 210–216, 172; 181/143–144, 147–148,
181/150–153, 157, 198–199; 381/300–303,
381/306, 332–333, 336, 345, 361–364, 386–388
See application file for complete search history.

(56) **References Cited**

U.S. PATENT DOCUMENTS

D223,580 S * 5/1972 Richards D14/215
4,756,382 A * 7/1988 Hudson, III 181/153
D505,941 S * 6/2005 Hirano D14/215
D518,029 S * 3/2006 Tsang D14/216
D542,279 S * 5/2007 Chan D14/216

OTHER PUBLICATIONS

U.S. Appl. No. 29/312,954, Applicant: Steven Tkachuk, filed Nov. 25, 2008 entitled Case for Portable Bluetooth Headset.

U.S. Appl. No. 29/312,953, Applicant: Steven Tkachuk, filed Nov. 25, 2008 entitled Bluetooth Headset.

* cited by examiner

Primary Examiner—Nanda Bondade

(74) *Attorney, Agent, or Firm*—Flynn, Thiel, Boutell & Tanis, P.C.

(57) **CLAIM**

The ornamental design for a portable compact bluetooth speaker, as shown and described.

DESCRIPTION

FIG. 1 is a top front perspective view of a portable compact bluetooth speaker showing my new design;

FIG. 2 is a front elevational view thereof;

FIG. 3 is a rear elevational view thereof;

FIG. 4 is a left side elevational view thereof;

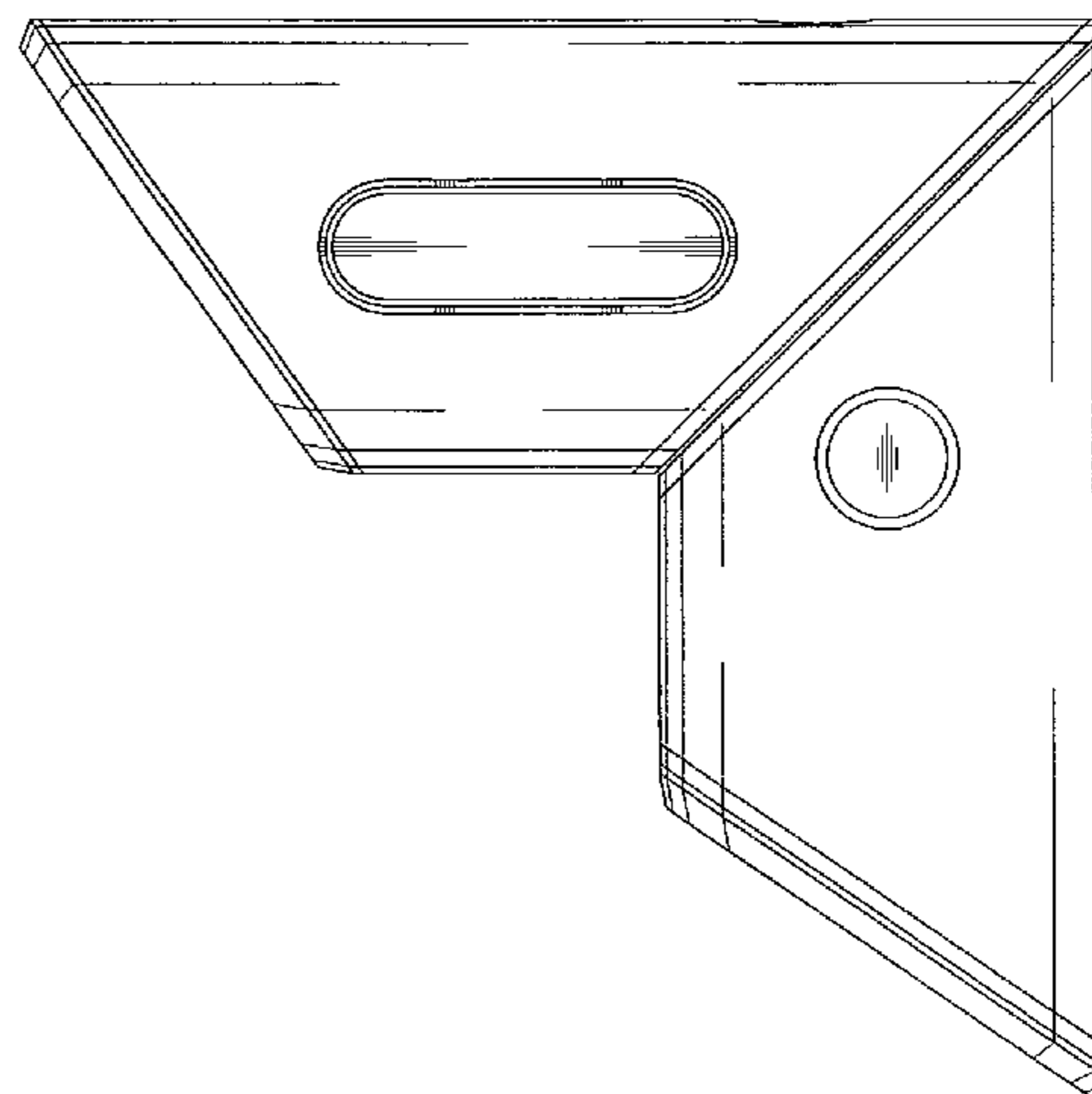
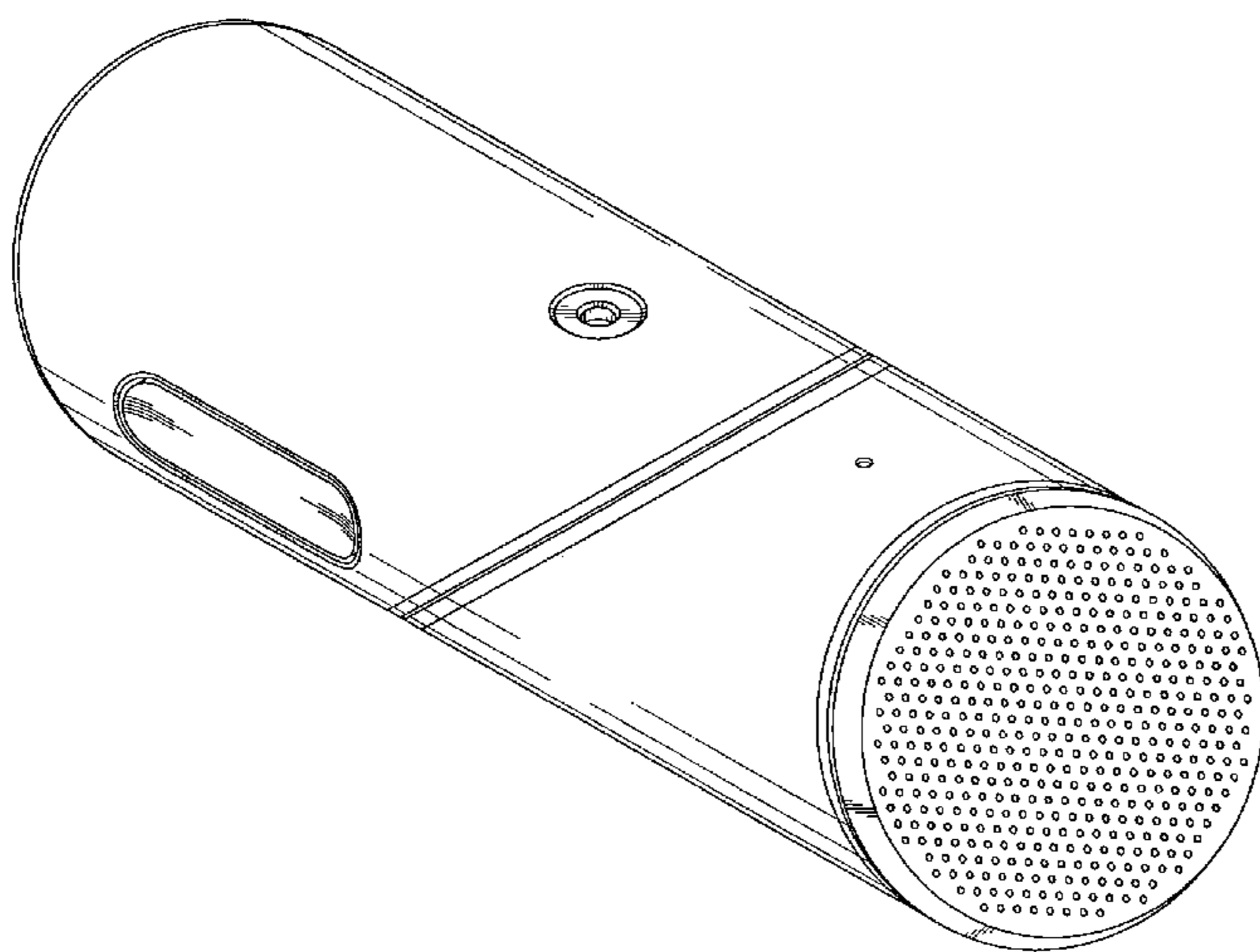
FIG. 5 is a right side elevational view thereof;

FIG. 6 is a top plan view thereof;

FIG. 7 is a bottom plan view thereof; and,

FIG. 8 is a side view thereof in a using state.

1 Claim, 5 Drawing Sheets



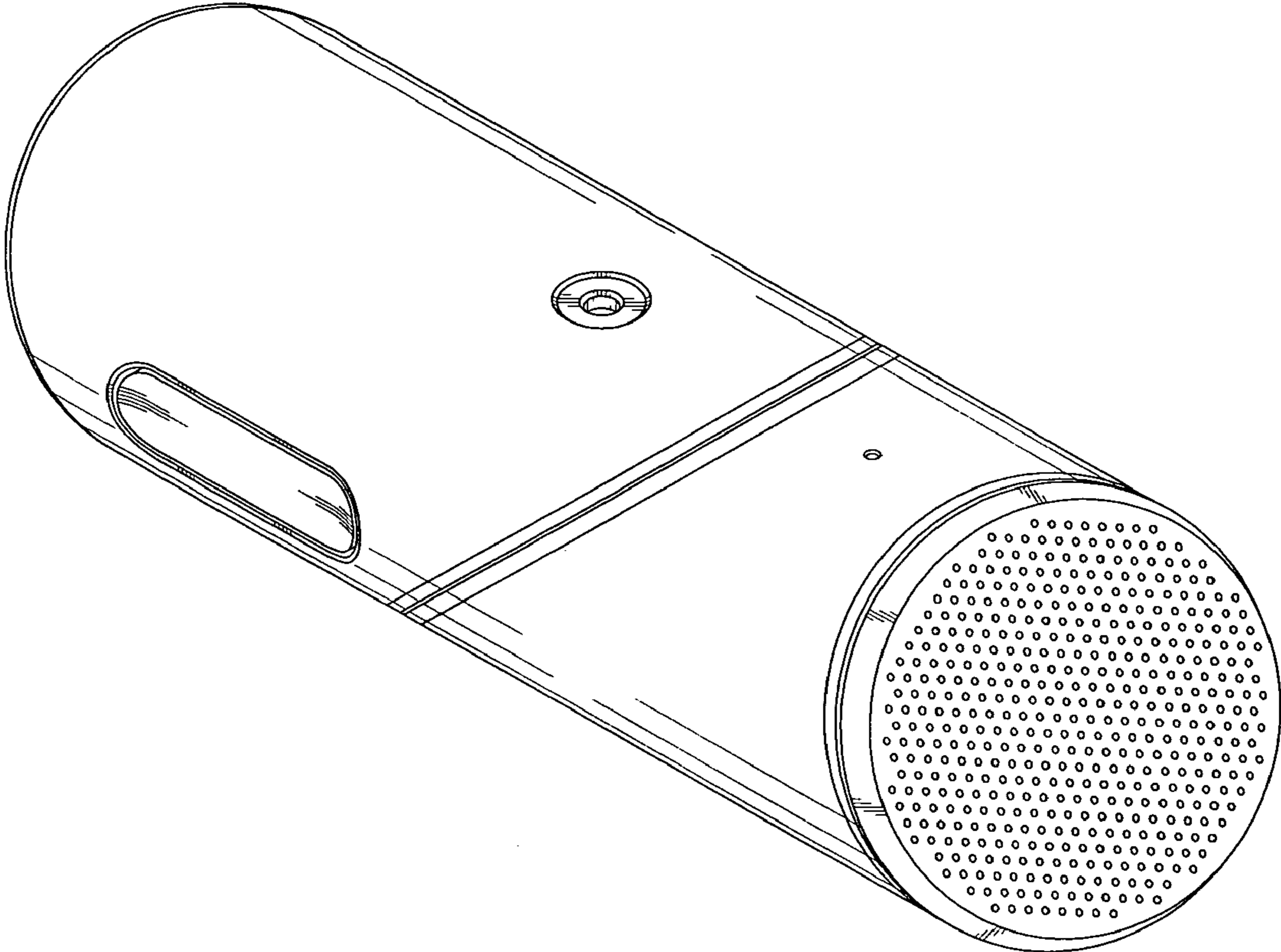


FIG.1

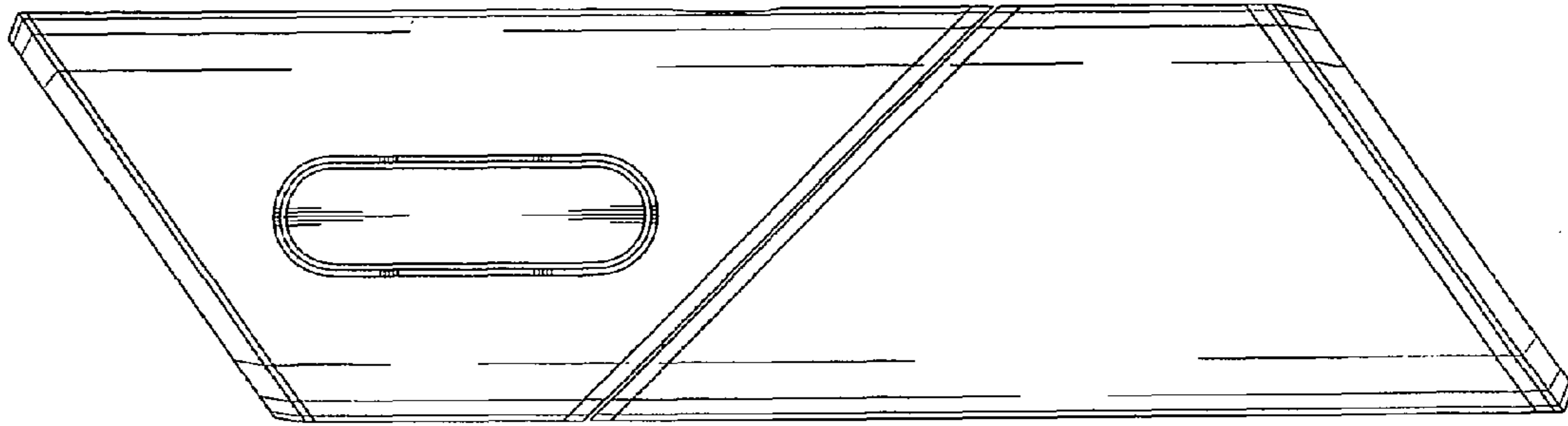


FIG.2

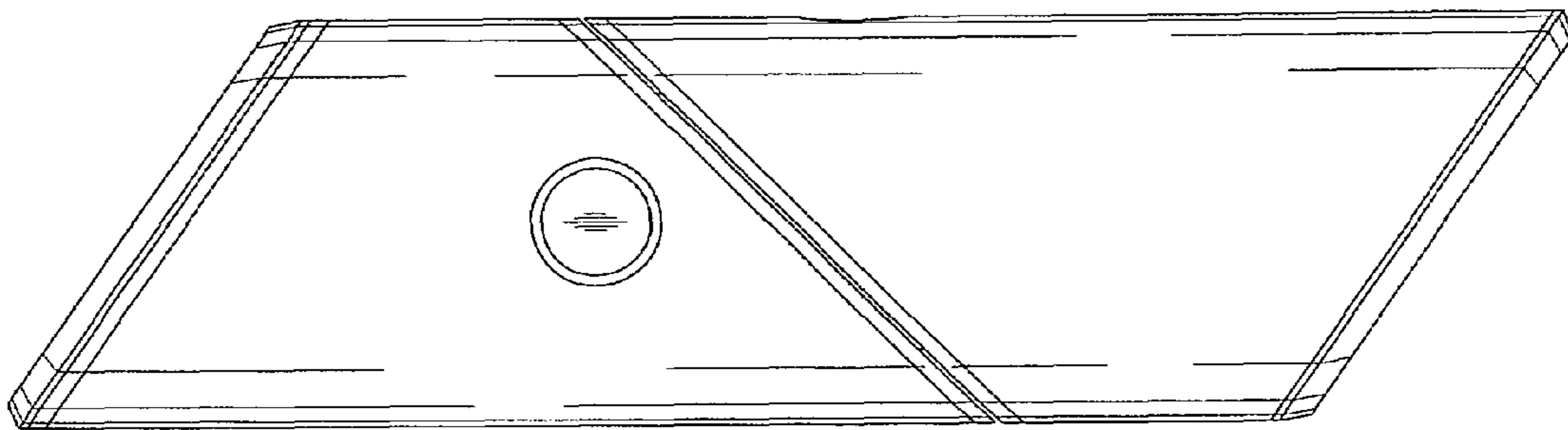


FIG.3

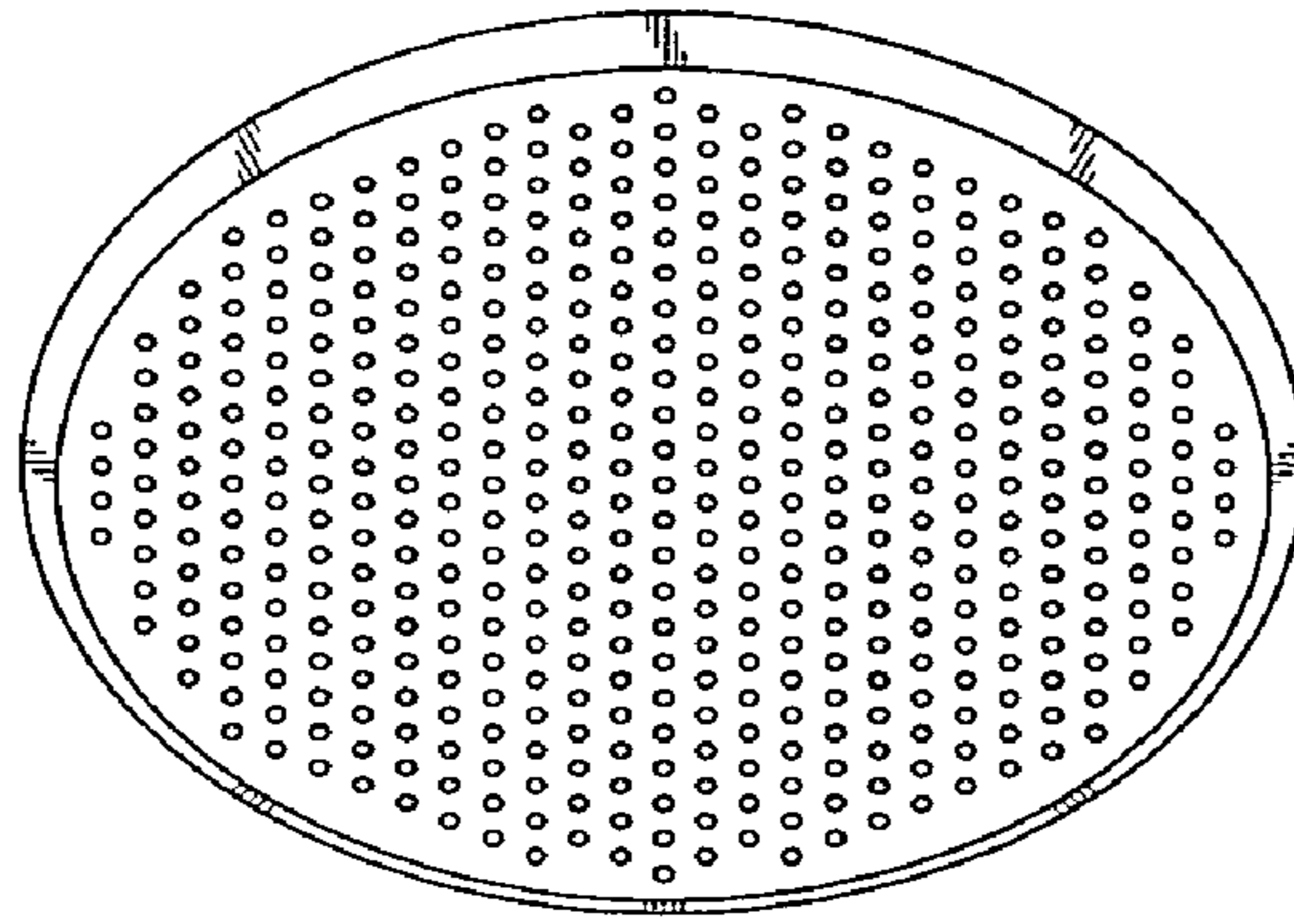


FIG.4

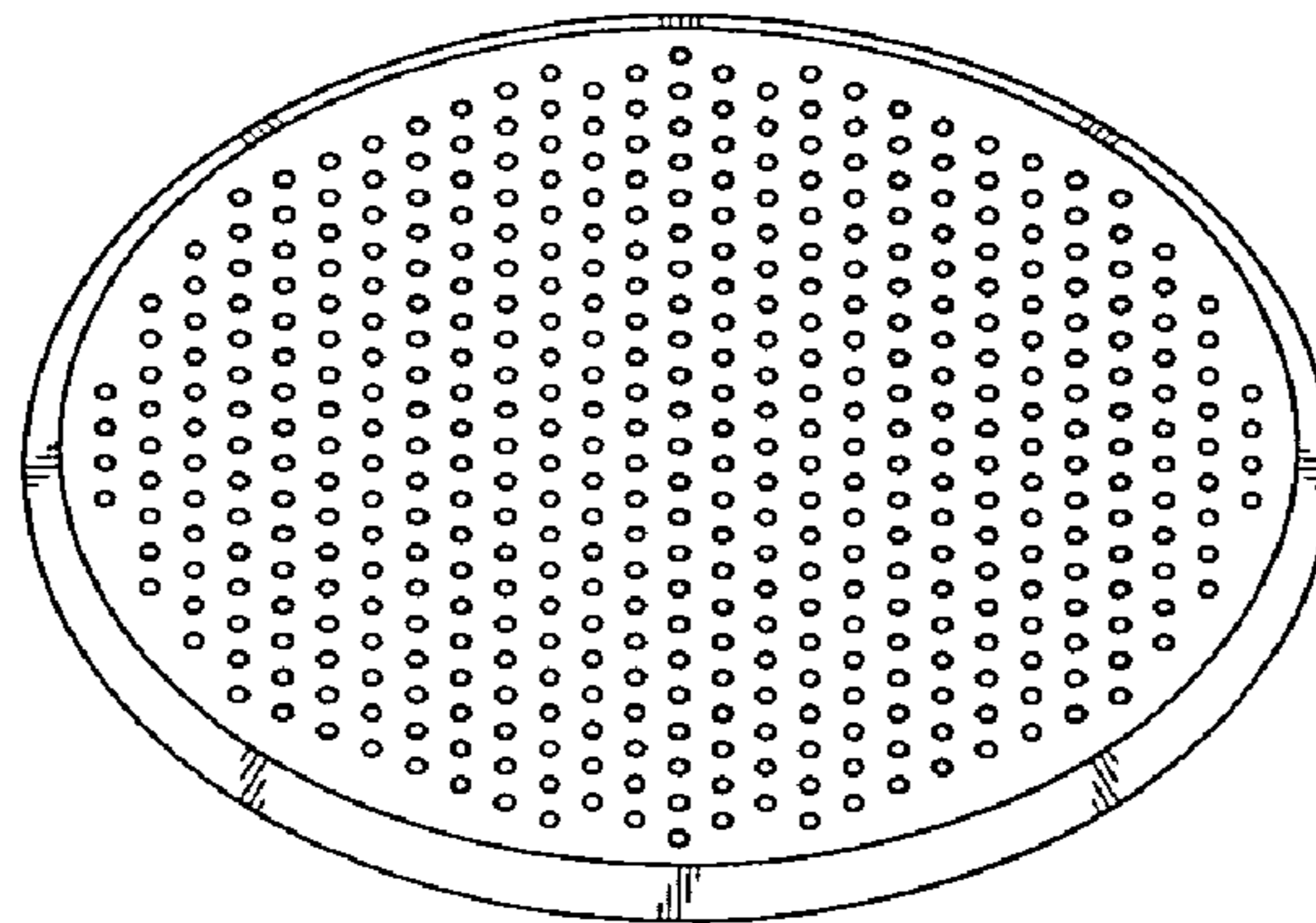


FIG.5

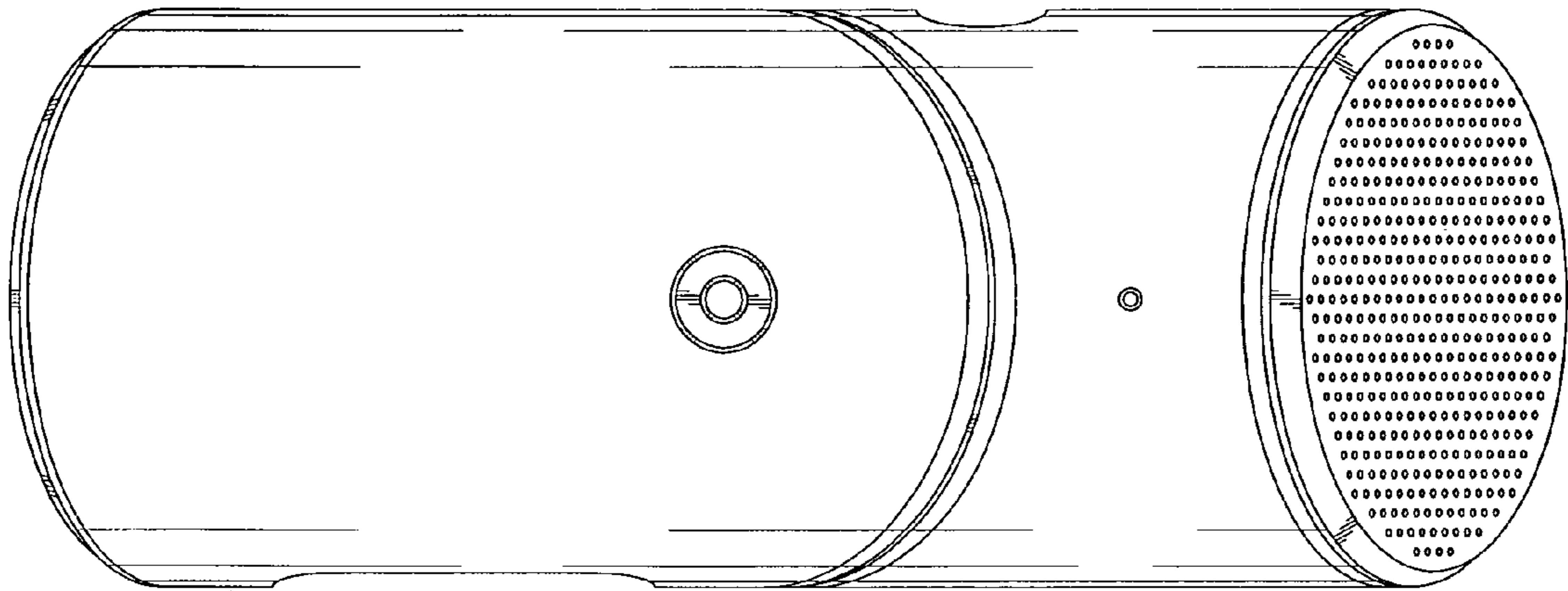


FIG. 6

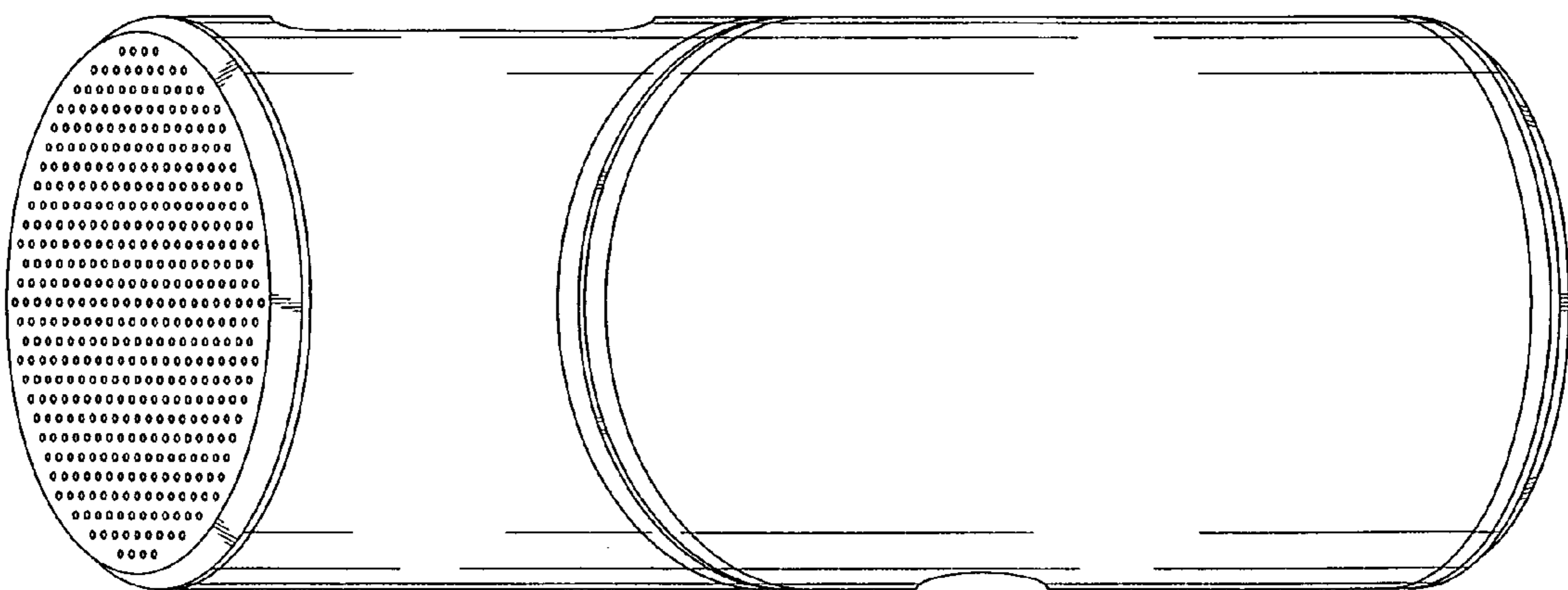


FIG. 7

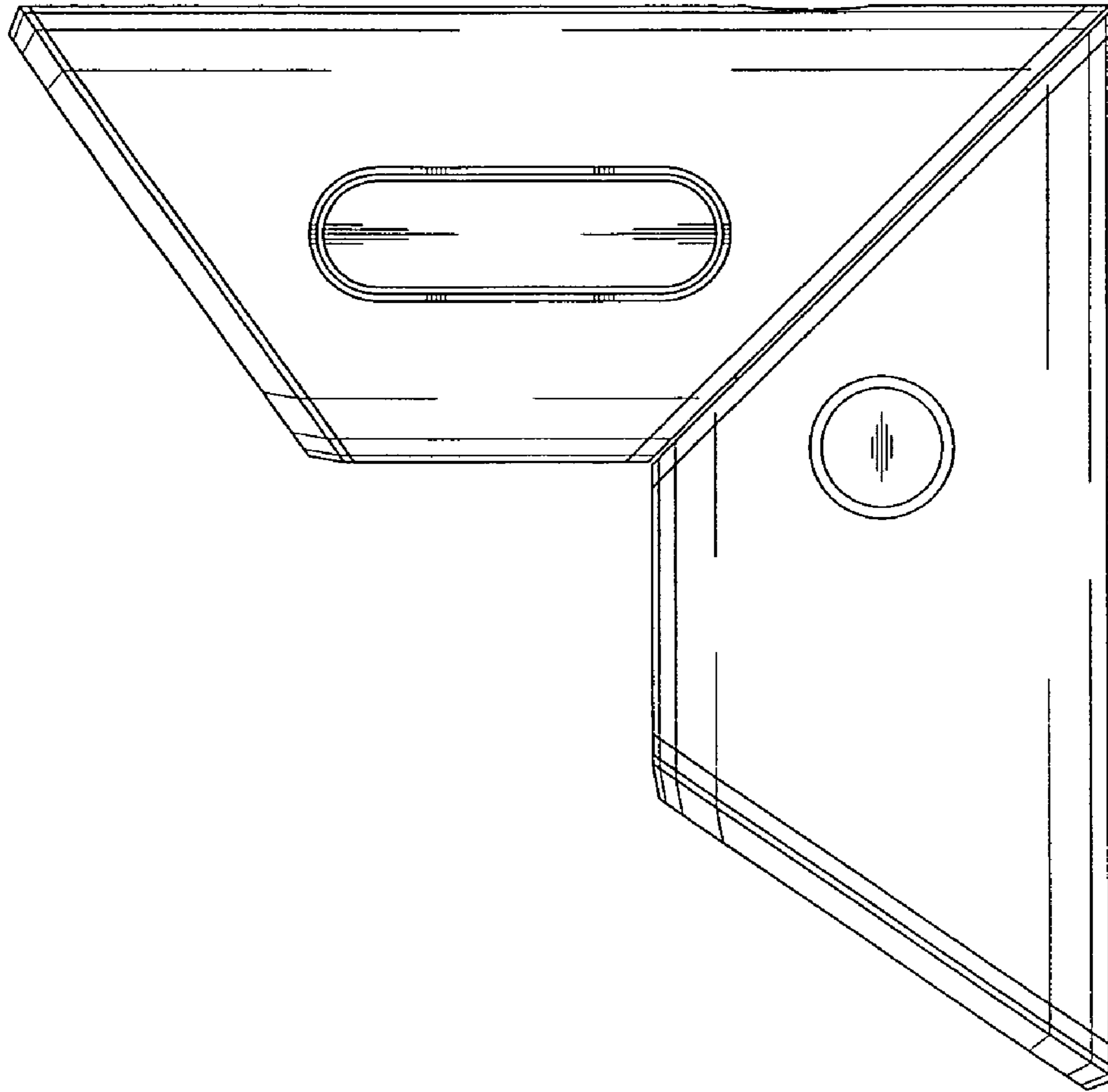


FIG.8