



US00D598897S

(12) **United States Design Patent**
Arneson et al.

(10) **Patent No.:** **US D598,897 S**

(45) **Date of Patent:** **** Aug. 25, 2009**

(54) **LOUDSPEAKER**

(75) Inventors: **Jon M. Arneson**, Napa, CA (US); **Paul Bunning**, Oakland, CA (US); **Pablo Espinosa**, Pleasanton, CA (US); **Richard D. Herr**, Berkeley, CA (US)

(73) Assignee: **Meyer Sound Laboratories, Incorporated**, Berkeley, CA (US)

(**) Term: **14 Years**

(21) Appl. No.: **29/326,012**

(22) Filed: **Oct. 9, 2008**

(51) **LOC (9) Cl.** **14-01**

(52) **U.S. Cl.** **D14/214; D14/215**

(58) **Field of Classification Search** D14/204,
D14/210–216, 172; 181/143–144, 147–148,
181/150–153, 157, 198–199; 381/300–303,
381/306, 332–333, 336, 345, 361–364, 386–388
See application file for complete search history.

(56) **References Cited**

U.S. PATENT DOCUMENTS

D271,967 S	*	12/1983	Meyer et al.	D14/214
D373,359 S		9/1996	Meyer et al.		
D375,499 S		11/1996	Meyer et al.		
D393,860 S	*	4/1998	Watson et al.	D14/215
D439,238 S	*	3/2001	Mackie et al.	D14/214
D484,115 S	*	12/2003	Nishii et al.	D14/215
D497,359 S	*	10/2004	Tanoni	D14/214
D505,942 S		6/2005	Meyer et al.		
6,966,651 B2	*	11/2005	Johnson	353/15
D519,105 S	*	4/2006	Masui	D14/214

OTHER PUBLICATIONS

Meyer Sound Laboratories, Inc., CQ-1 Product Datasheet, “Wide Coverage Main Loudspeaker,” 2004.
Meyer Sound Laboratories, Inc., CQ-2 Product Datasheet, “Narrow Coverage Main Loudspeaker,” 2004.

Meyer Sound Laboratories, Inc., UPA-1P Product Datasheet, “Compact Wide Coverage Loudspeaker,” 2005.

Meyer Sound Laboratories, Inc., Upjunior Product Datasheet, “UltraCompact VariO Loudspeaker,” 2007.

* cited by examiner

Primary Examiner—Nanda Bondade

(74) *Attorney, Agent, or Firm*—Donald L. Beeson; Beeson Skinner Beverly, LLP

(57) **CLAIM**

The ornamental design for a loudspeaker, as shown and described.

DESCRIPTION

FIG. 1 is a top perspective view of a loudspeaker showing our new design;

FIG. 2 is a front top perspective view thereof;

FIG. 3 is a front elevational view thereof;

FIG. 4 is a left side elevational view thereof, the right side being a mirror image;

FIG. 5 is a top plan view thereof; and

FIG. 6 is a bottom plan view thereof.

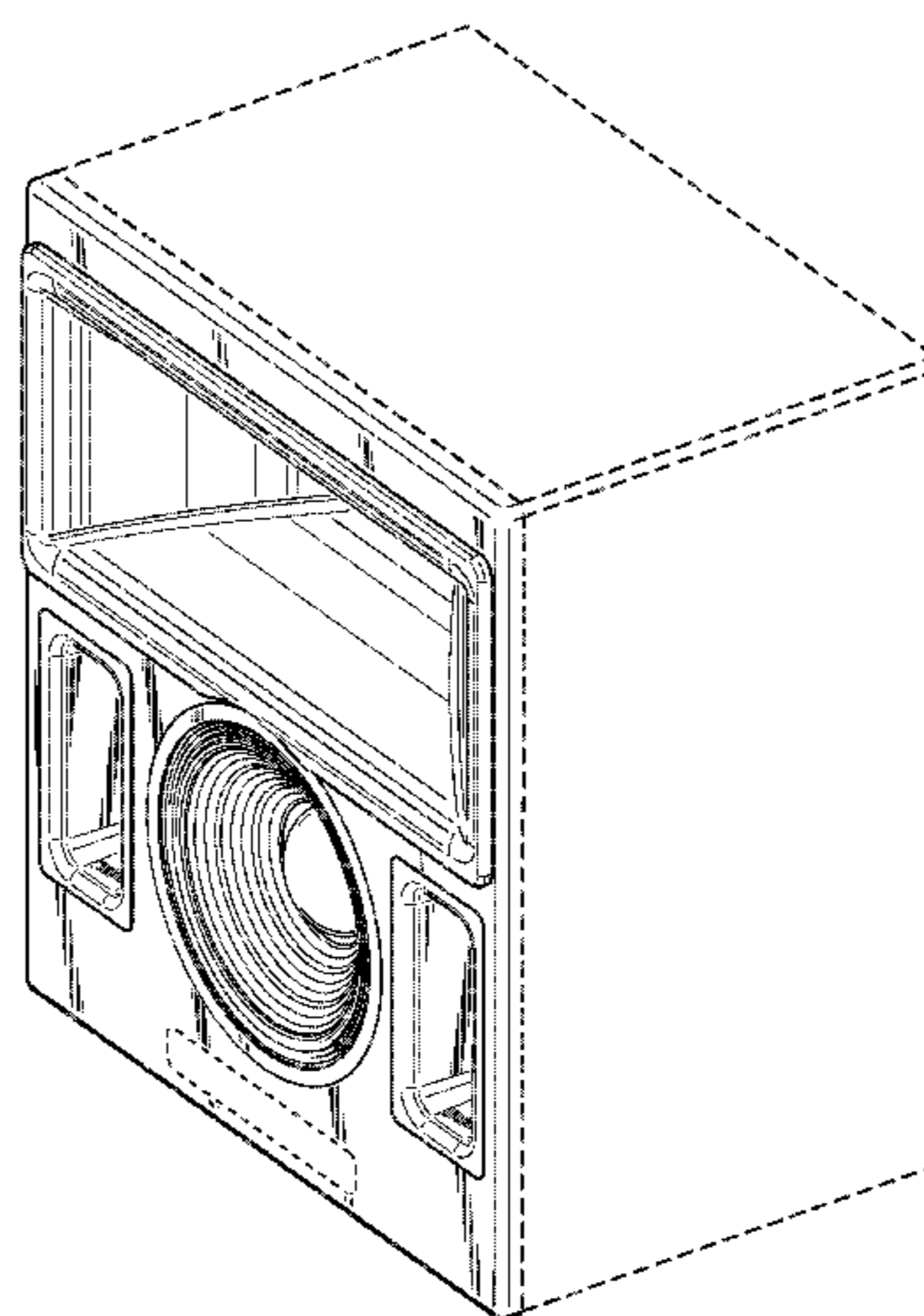
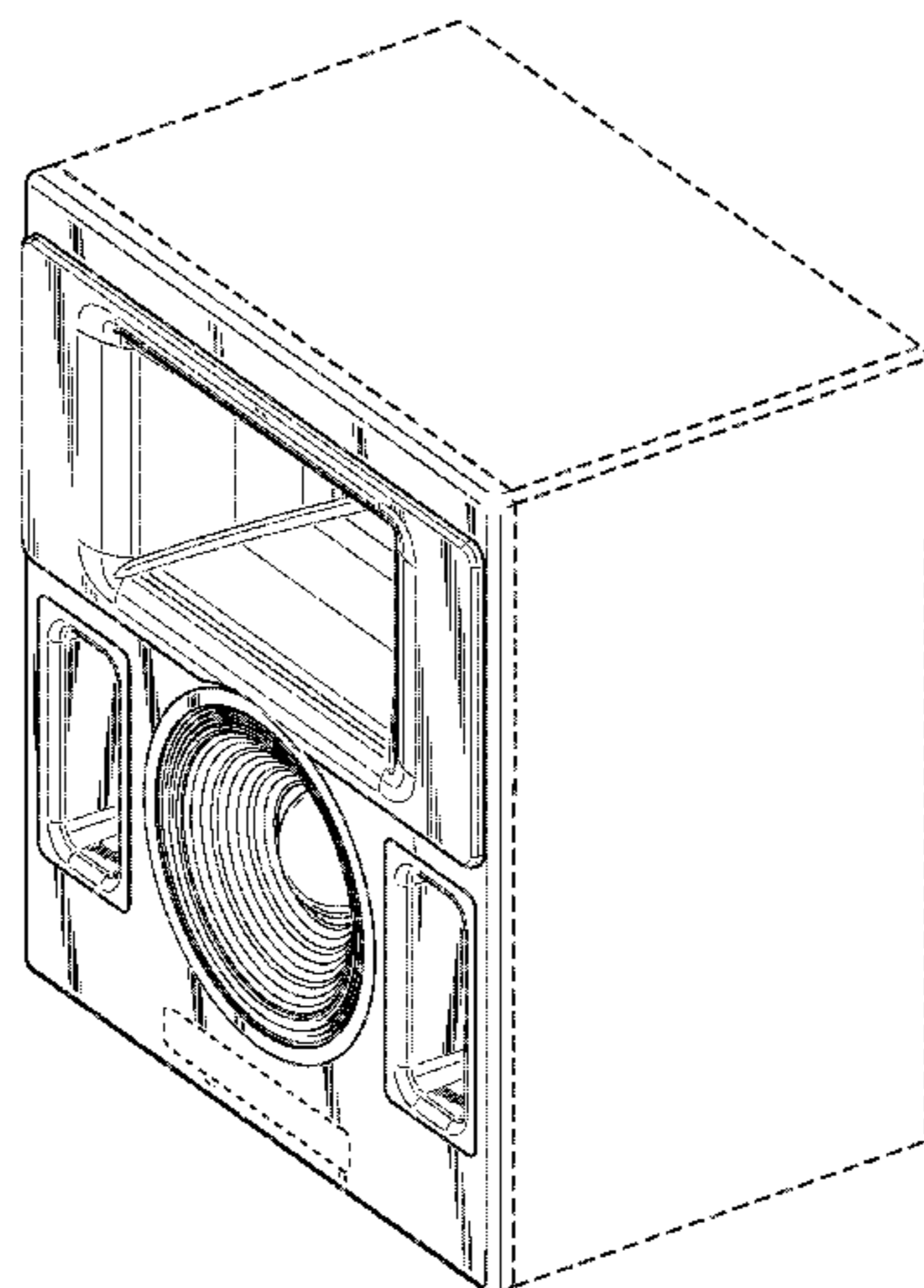
FIG. 7 is a top perspective view of a loudspeaker showing an alternative embodiment of our new design;

FIG. 8 is a front top perspective view thereof; and,

FIG. 9 is a front elevational view thereof.

The left and right side elevational views and top and bottom plan views of the embodiment shown in FIGS. 7–9 are identical to the left and right side elevational views and top and bottom plan views of the embodiment shown in FIGS. 1–6. The rear of the loudspeaker is not shown and forms no part of our claimed design. The broken lines immediately adjacent the shaded areas represent the bounds of the claimed design while all other broken lines are directed to environment and are for illustrative purposes only; the broken lines form no part of the claimed design.

1 Claim, 8 Drawing Sheets



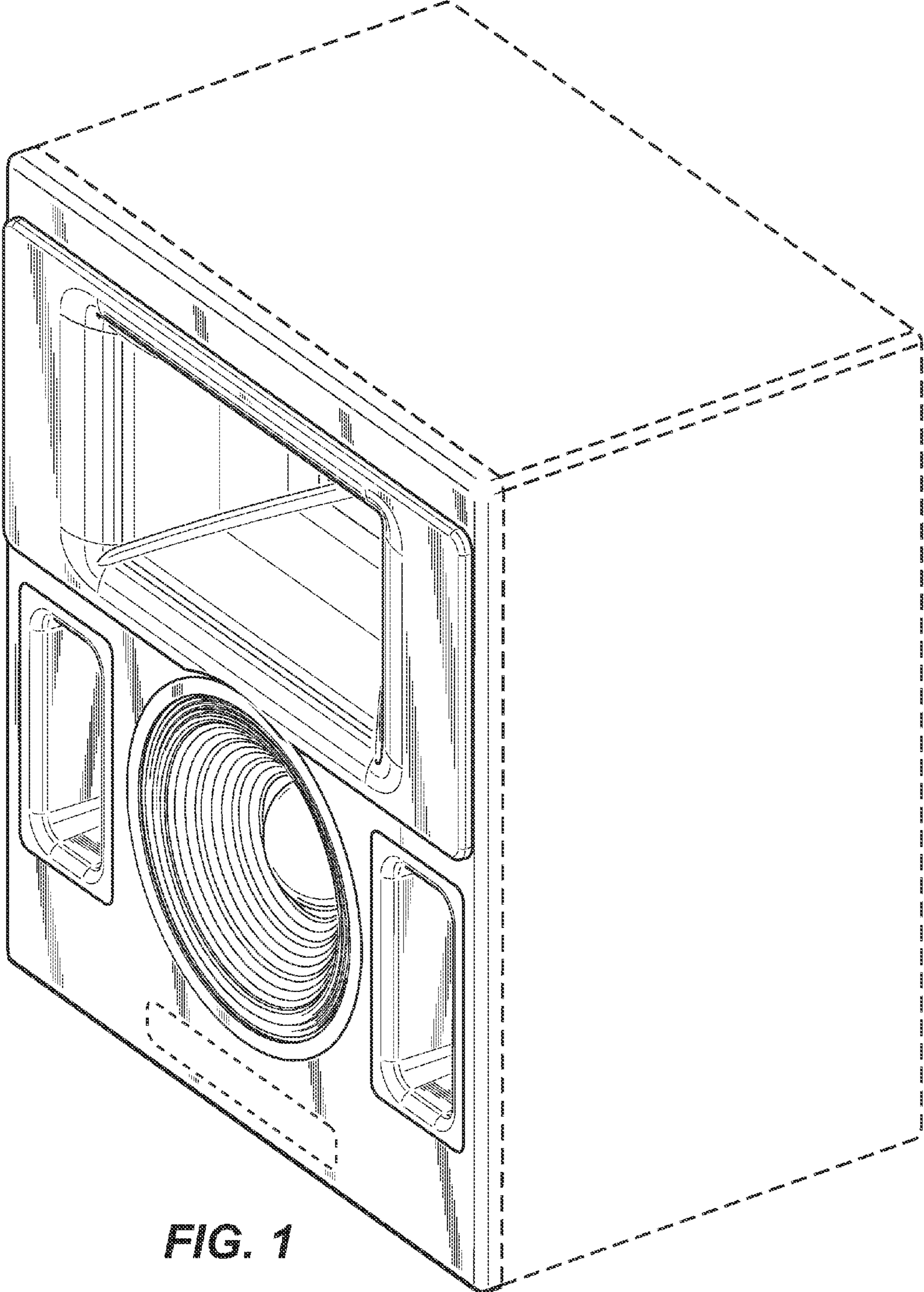


FIG. 1

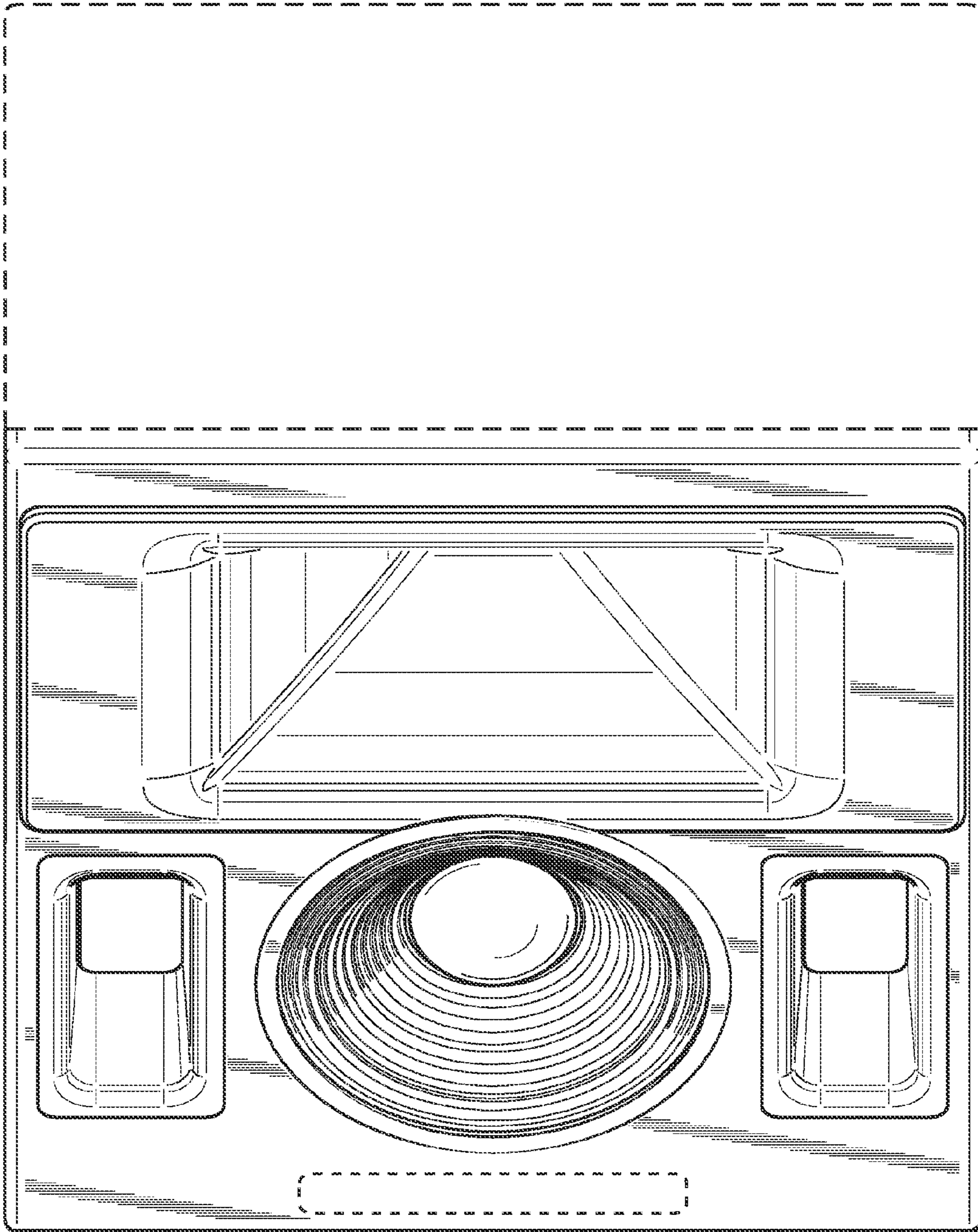


FIG. 2

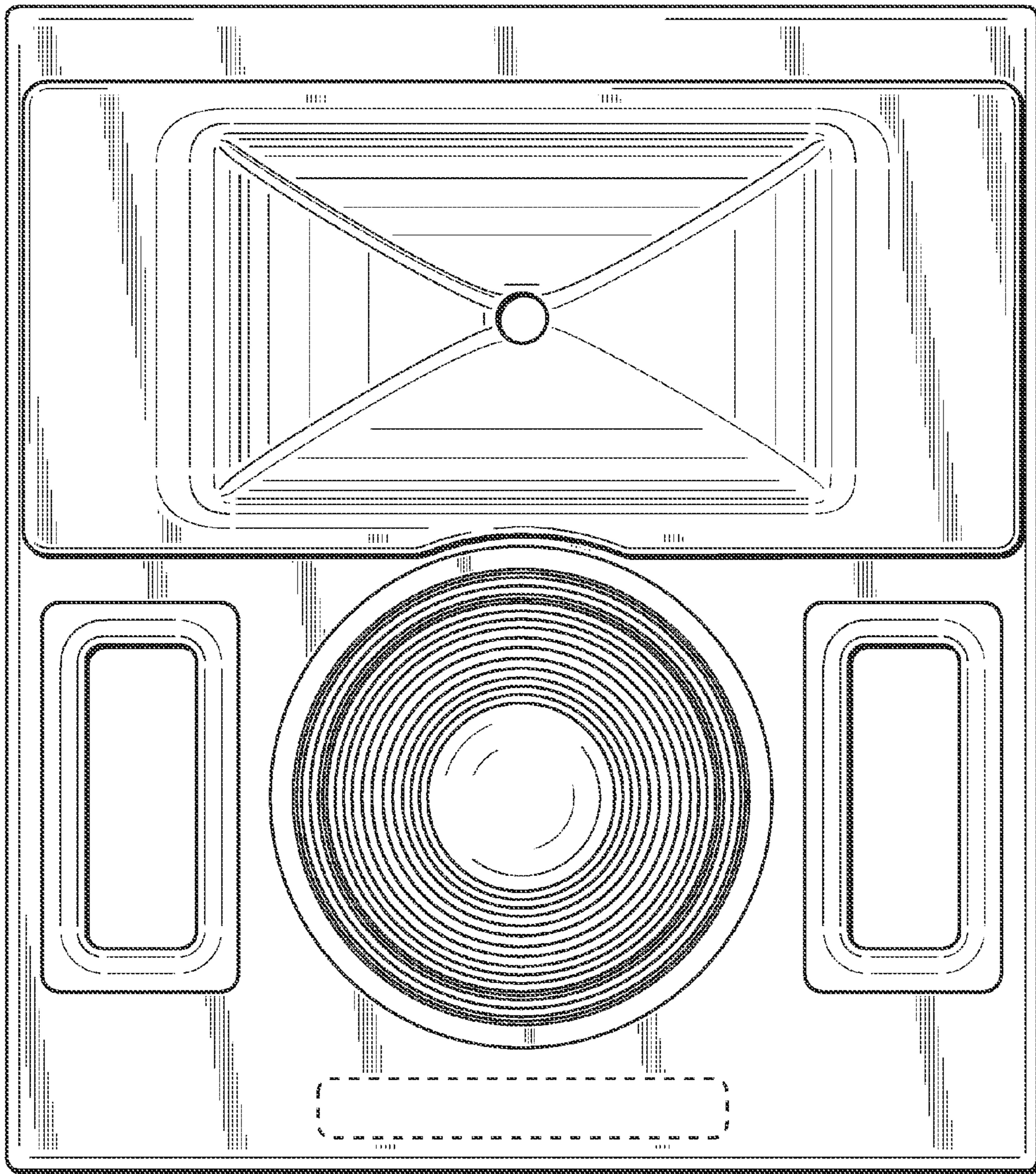


FIG. 3

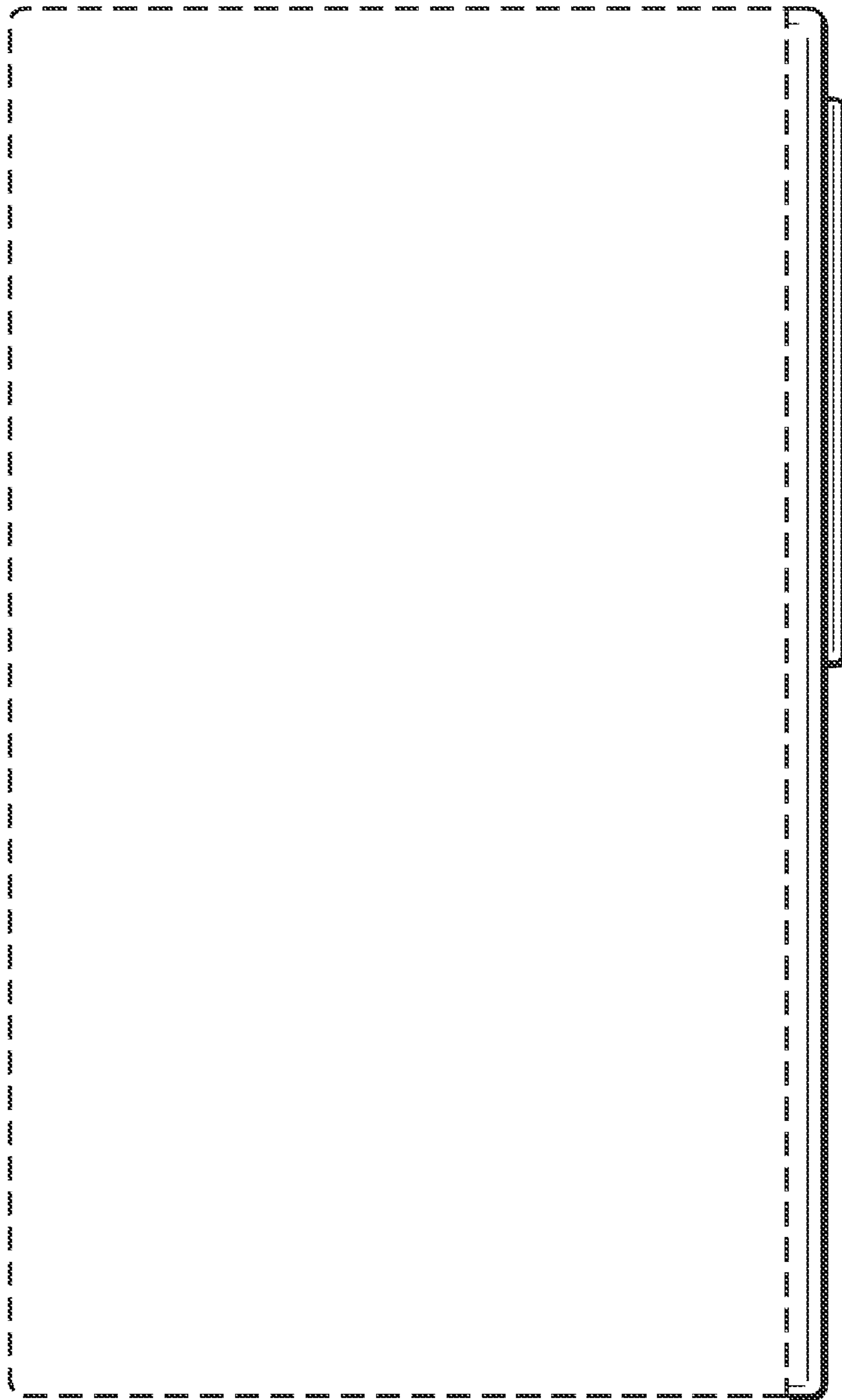


FIG. 4

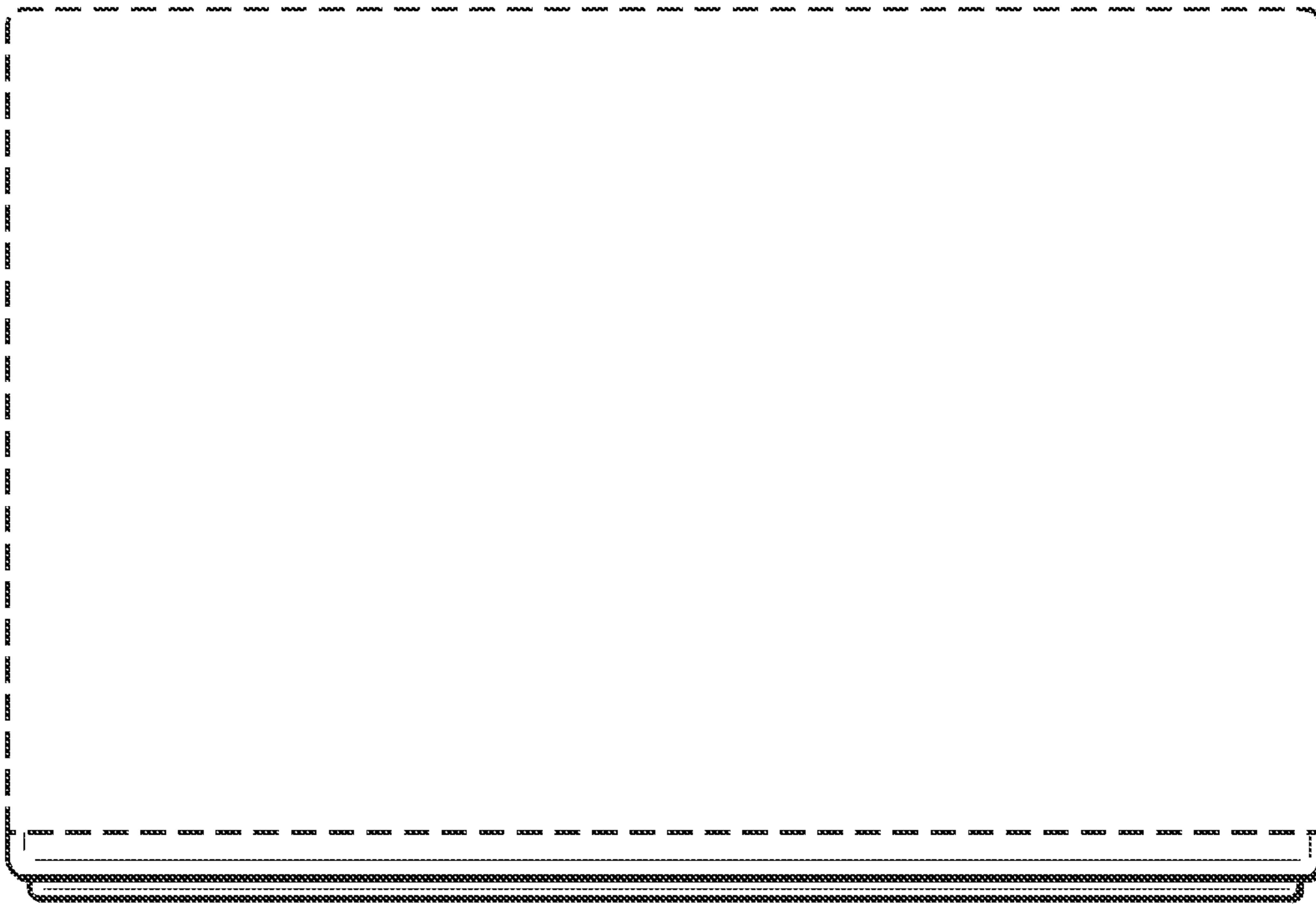


FIG. 5

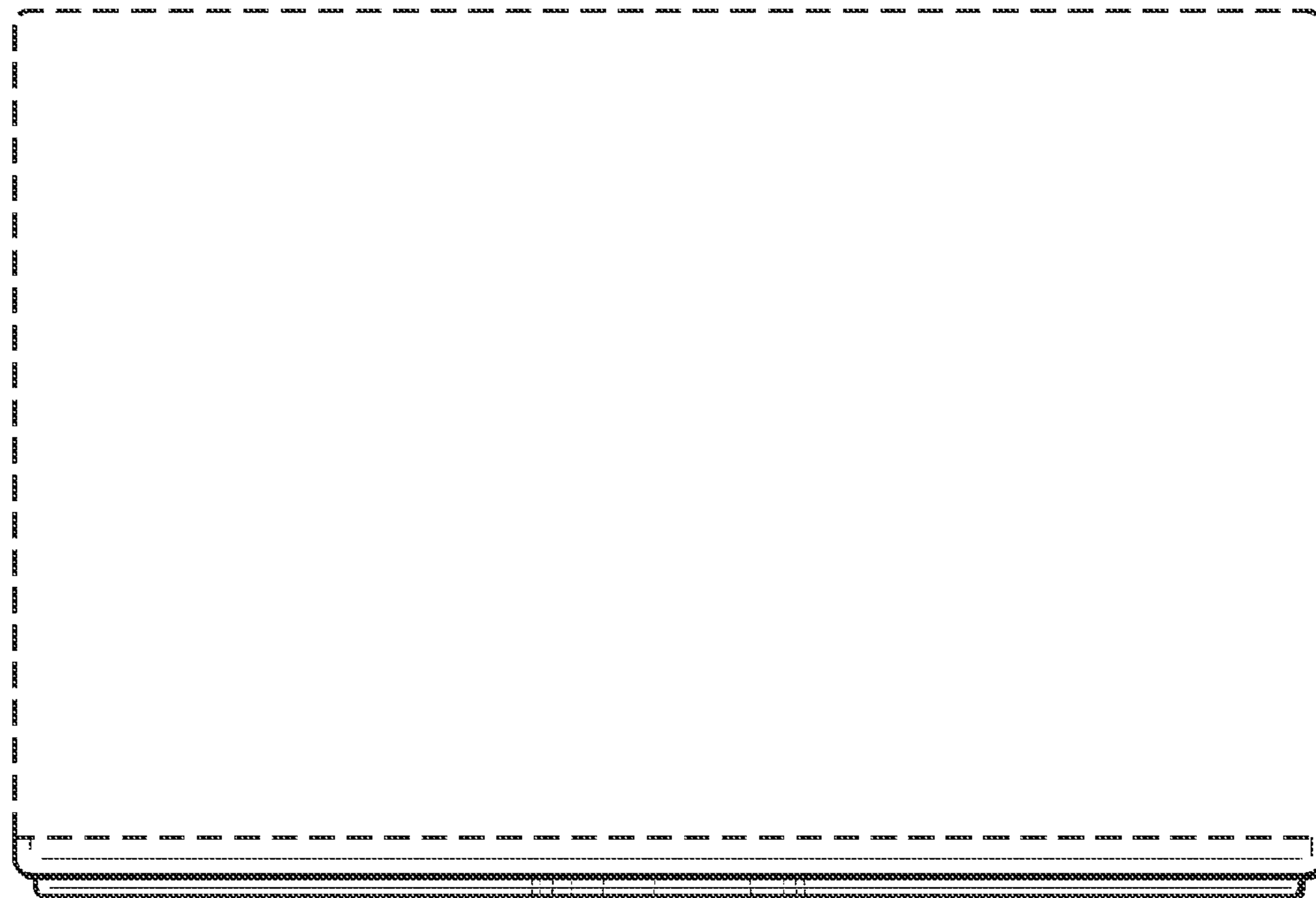


FIG. 6

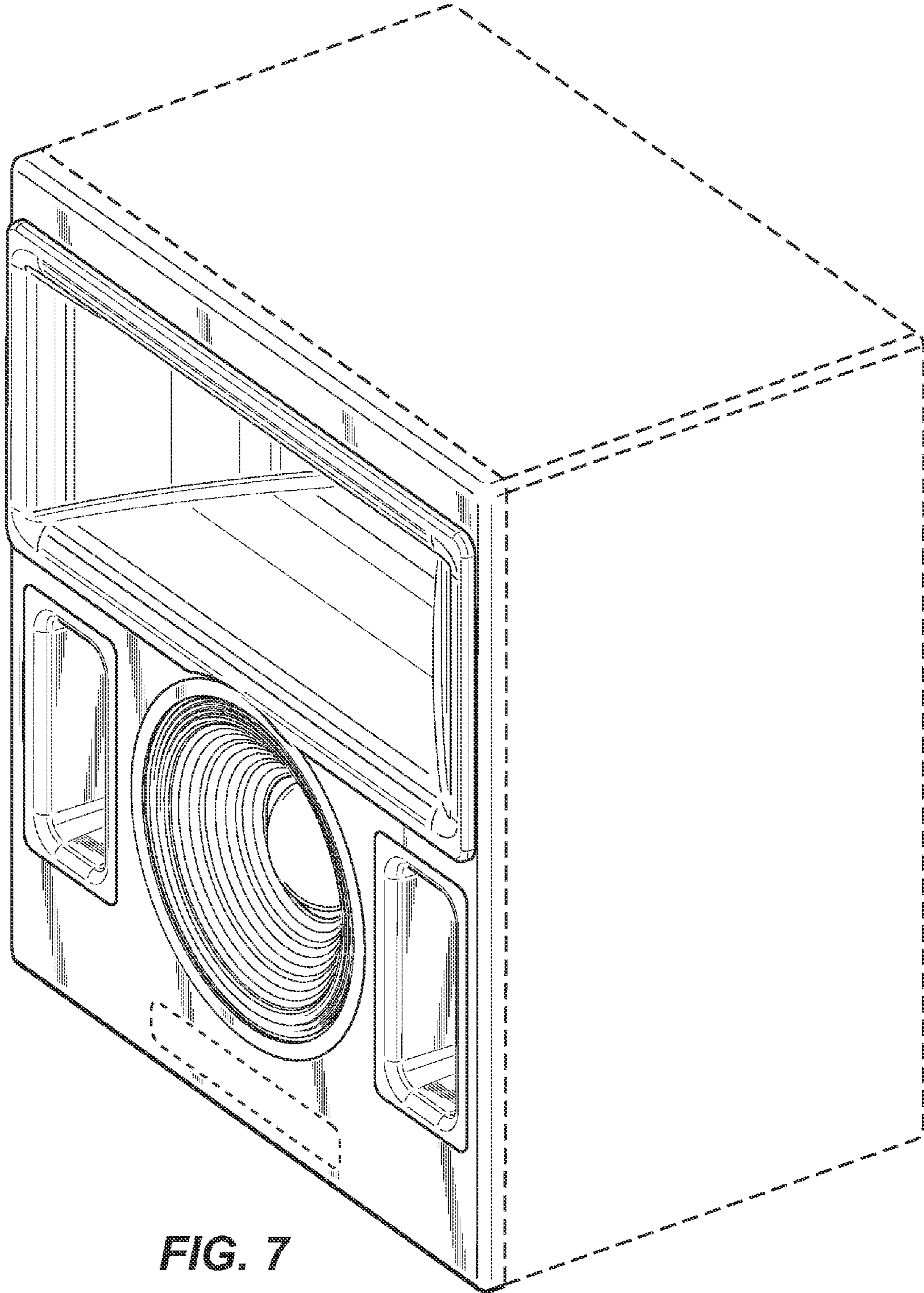


FIG. 7

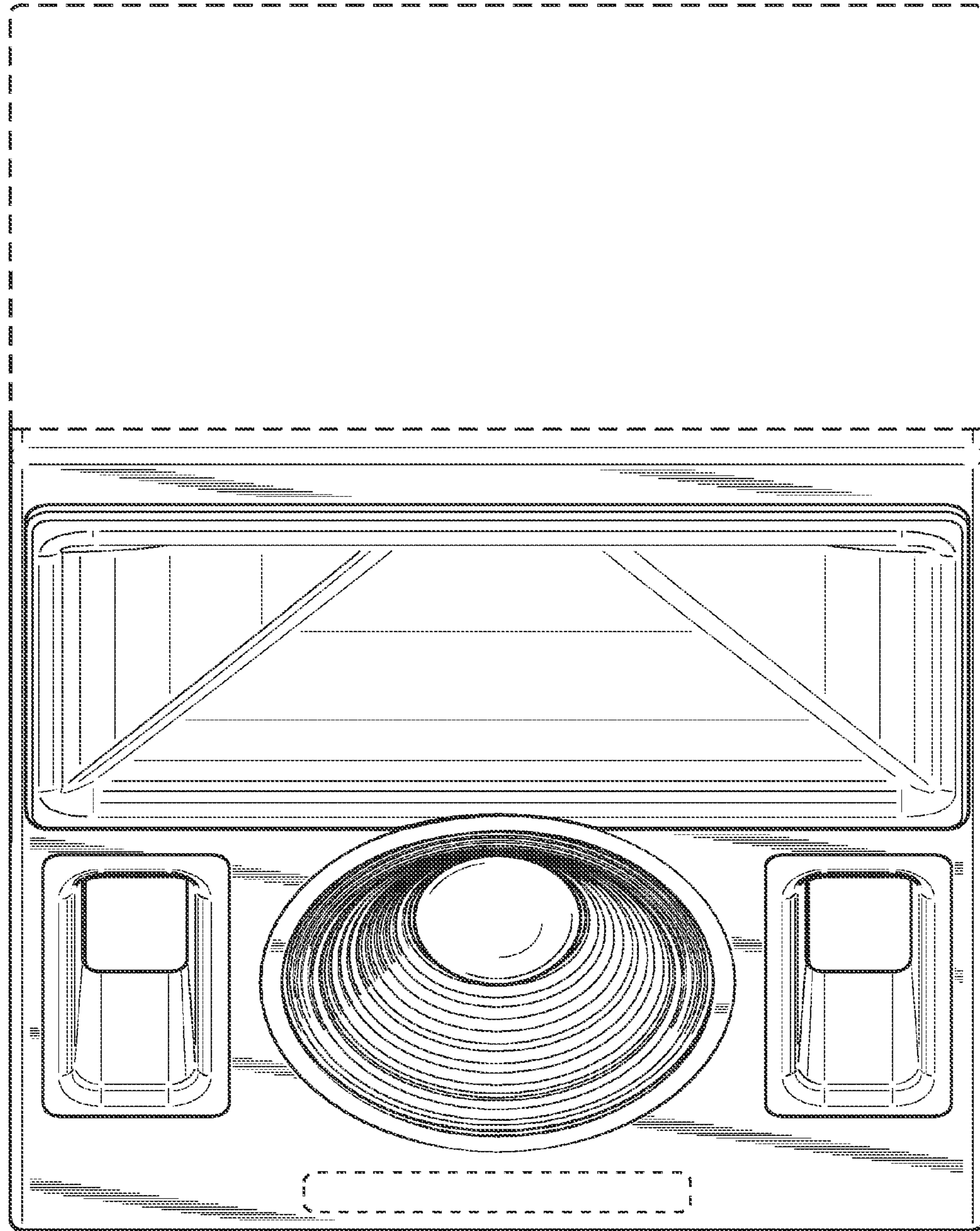


FIG. 8

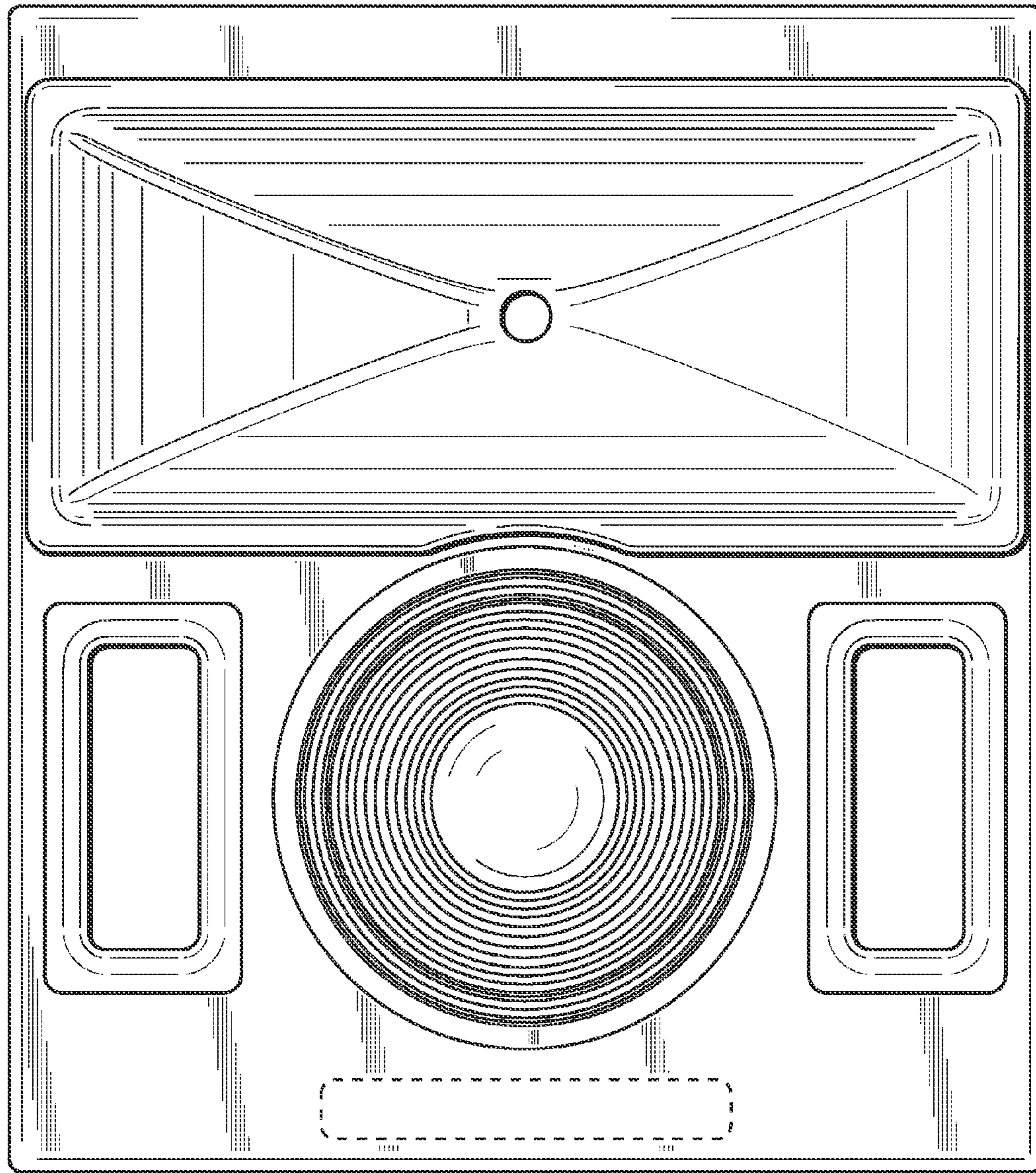


FIG. 9