



US00D598896S

(12) **United States Design Patent**
Garrett

(10) **Patent No.:** **US D598,896 S**

(45) **Date of Patent:** **** Aug. 25, 2009**

(54) **PORTABLE MEDIA PLAYER WITH ALARM CLOCK**

(75) Inventor: **Jennifer Elizabeth Garrett**, Ardsley, PA (US)

(73) Assignee: **SDI Technologies, Inc.**, Rahway, NJ (US)

(**) Term: **14 Years**

(21) Appl. No.: **29/329,553**

(22) Filed: **Dec. 17, 2008**

(51) **LOC (9) Cl.** **14-01**

(52) **U.S. Cl.** **D14/209.1; D14/171**

(58) **Field of Classification Search** D14/204, D14/209.1, 210-216, 168, 170-172, 188; 181/143-144, 147-148, 150-153, 157, 198-199; 381/300-303, 306, 332-333, 336, 345, 361-364, 381/386-388; D10/1, 2, 15

See application file for complete search history.

(56) **References Cited**

U.S. PATENT DOCUMENTS

D359,492 S *	6/1995	Dyas	D14/214
D516,542 S *	3/2006	Kang et al.	D14/214
7,095,867 B2 *	8/2006	Schul et al.	381/386
D556,188 S *	11/2007	Ang et al.	D14/214
D558,185 S *	12/2007	Schul et al.	D14/214

* cited by examiner

Primary Examiner—Nanda Bondade

(74) *Attorney, Agent, or Firm*—Ostrolenk, Faber, Gerb & Soffen, LLP

(57) **CLAIM**

The ornamental design for portable media player with alarm clock, as shown and described.

DESCRIPTION

FIG. 1 is a top, front and side perspective view of a portable media player with alarm clock, in an open condition, showing my new design;

FIG. 2 is a top view thereof;

FIG. 3 is a bottom view thereof;

FIG. 4 is a side view thereof, the opposite side view thereof being a mirror image;

FIG. 5 is a rear view thereof;

FIG. 6 is a front view thereof;

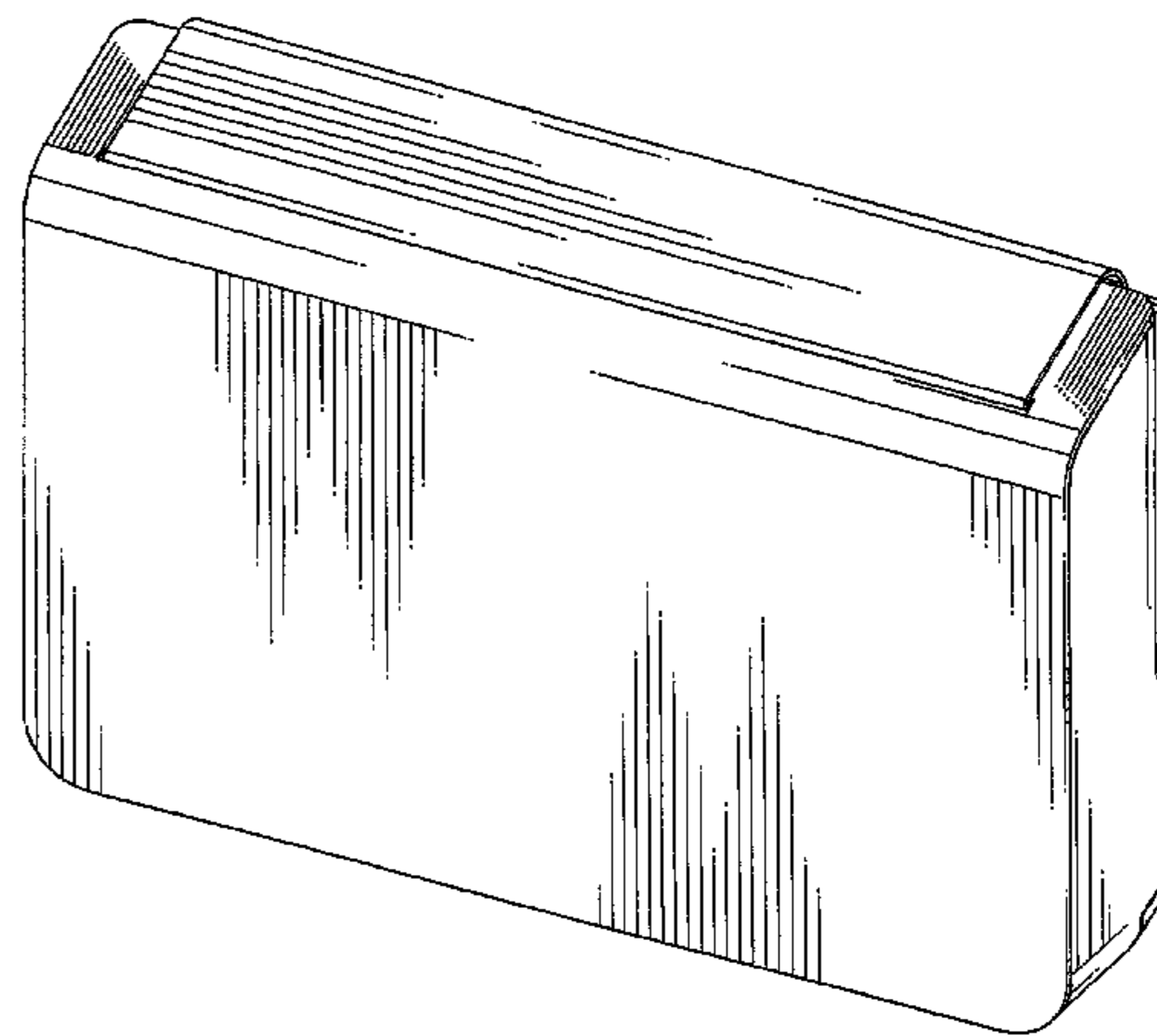
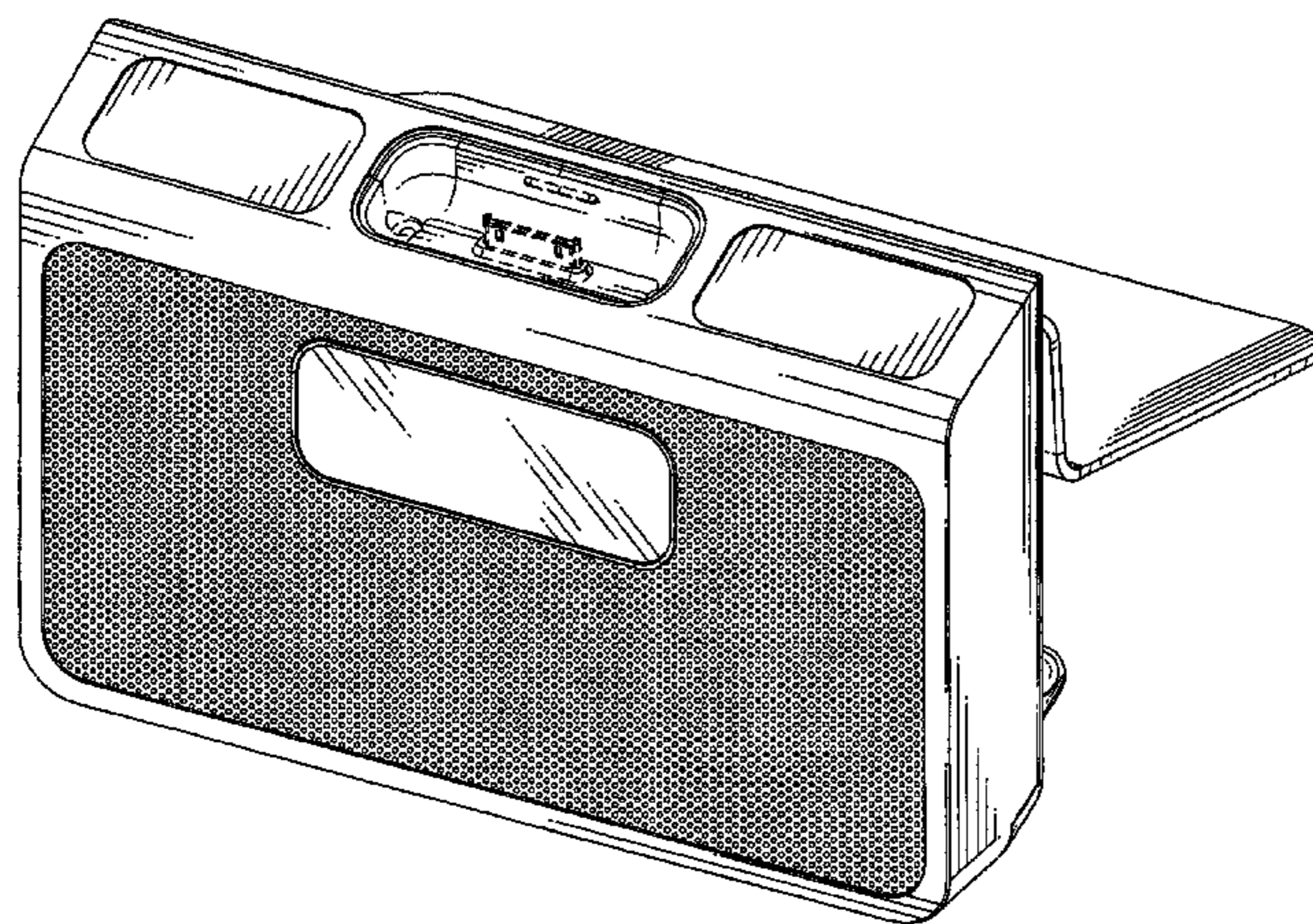
FIG. 7 is a top, front, side perspective view thereof in a closed condition;

FIG. 8 is a bottom view thereof; and,

FIG. 9 is a side view thereof, the opposite side view being a mirror image.

The broken line in the drawings illustrate environmental material that forms no part of the claimed design.

1 Claim, 9 Drawing Sheets



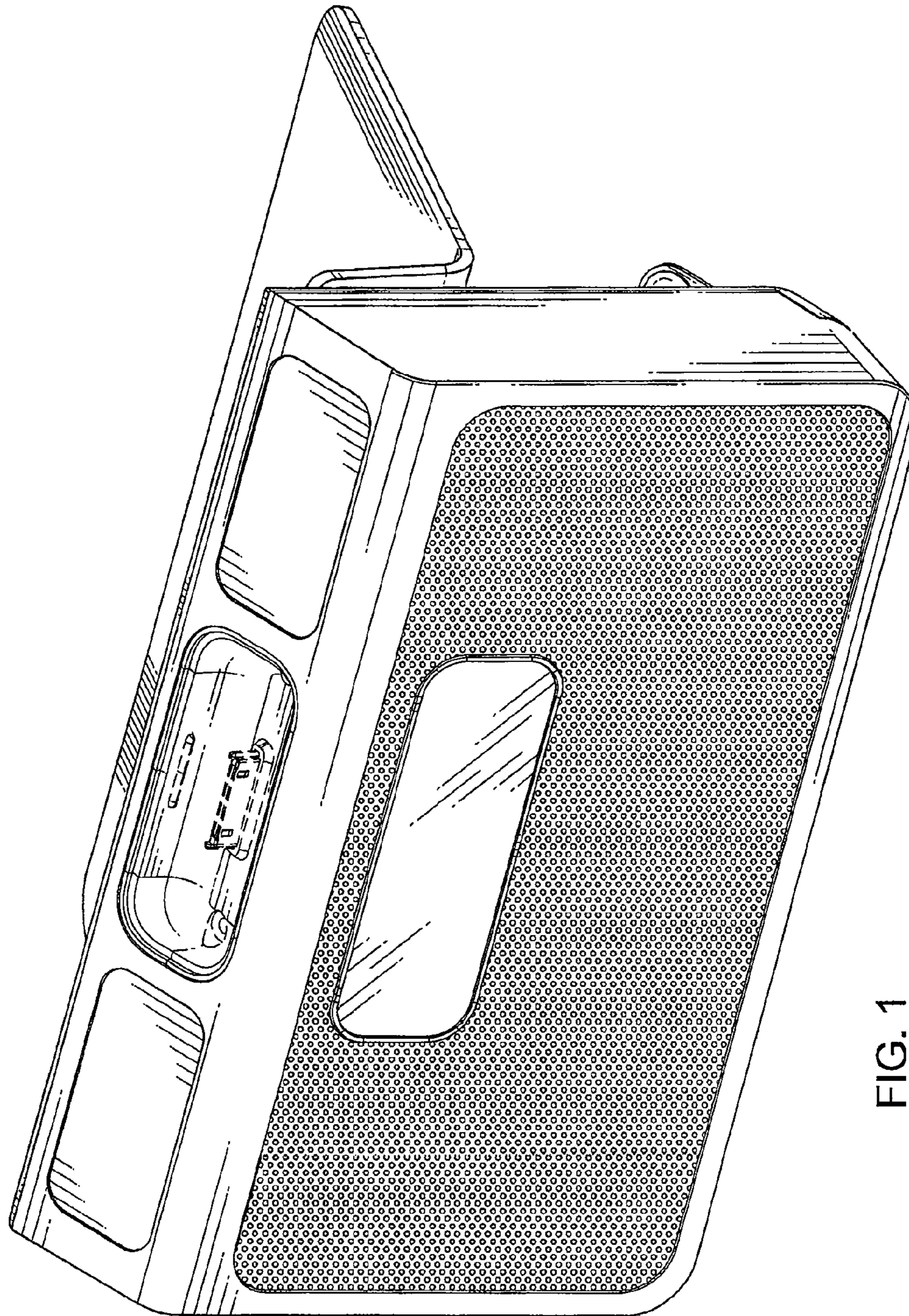


FIG. 1

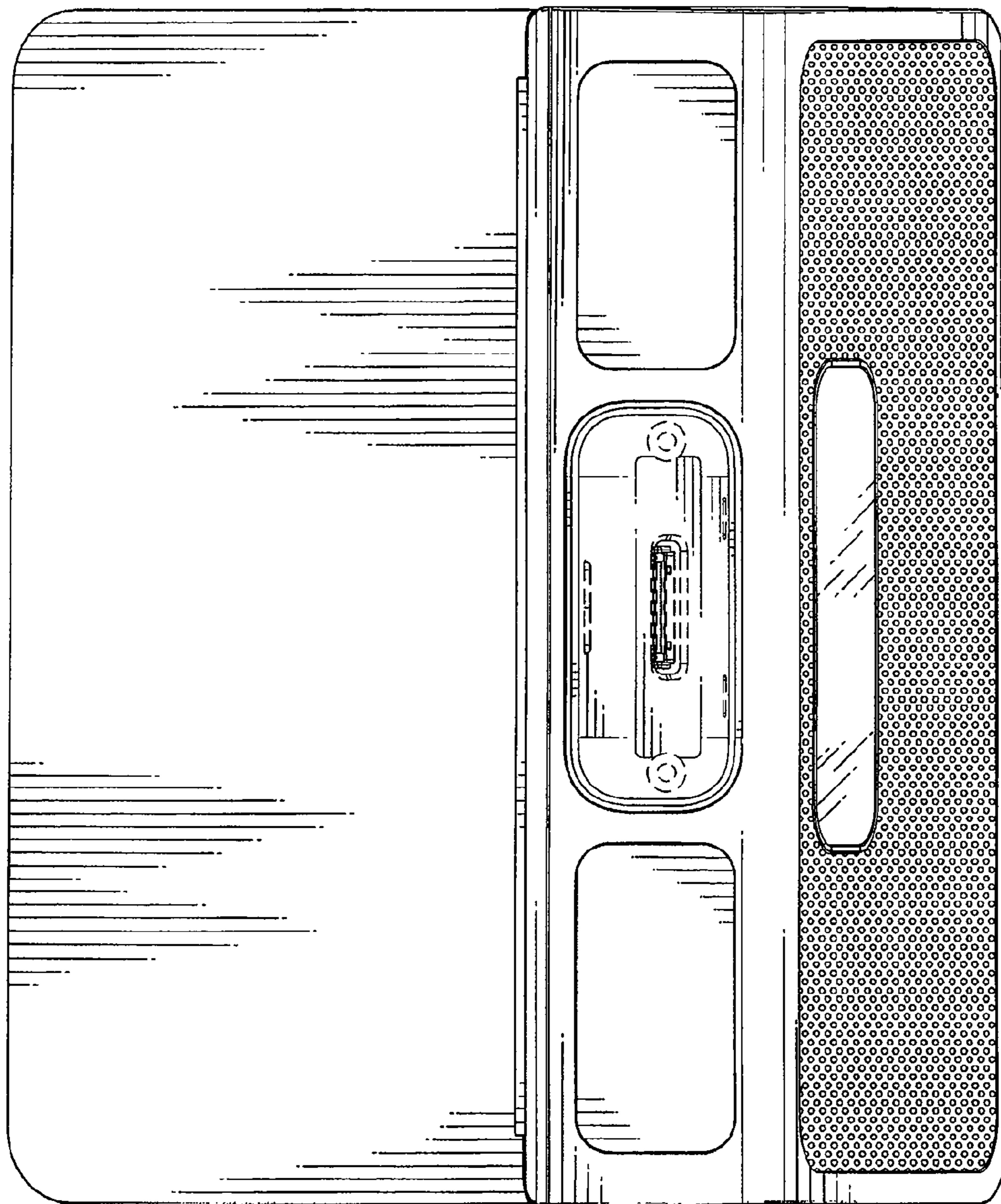


FIG. 2

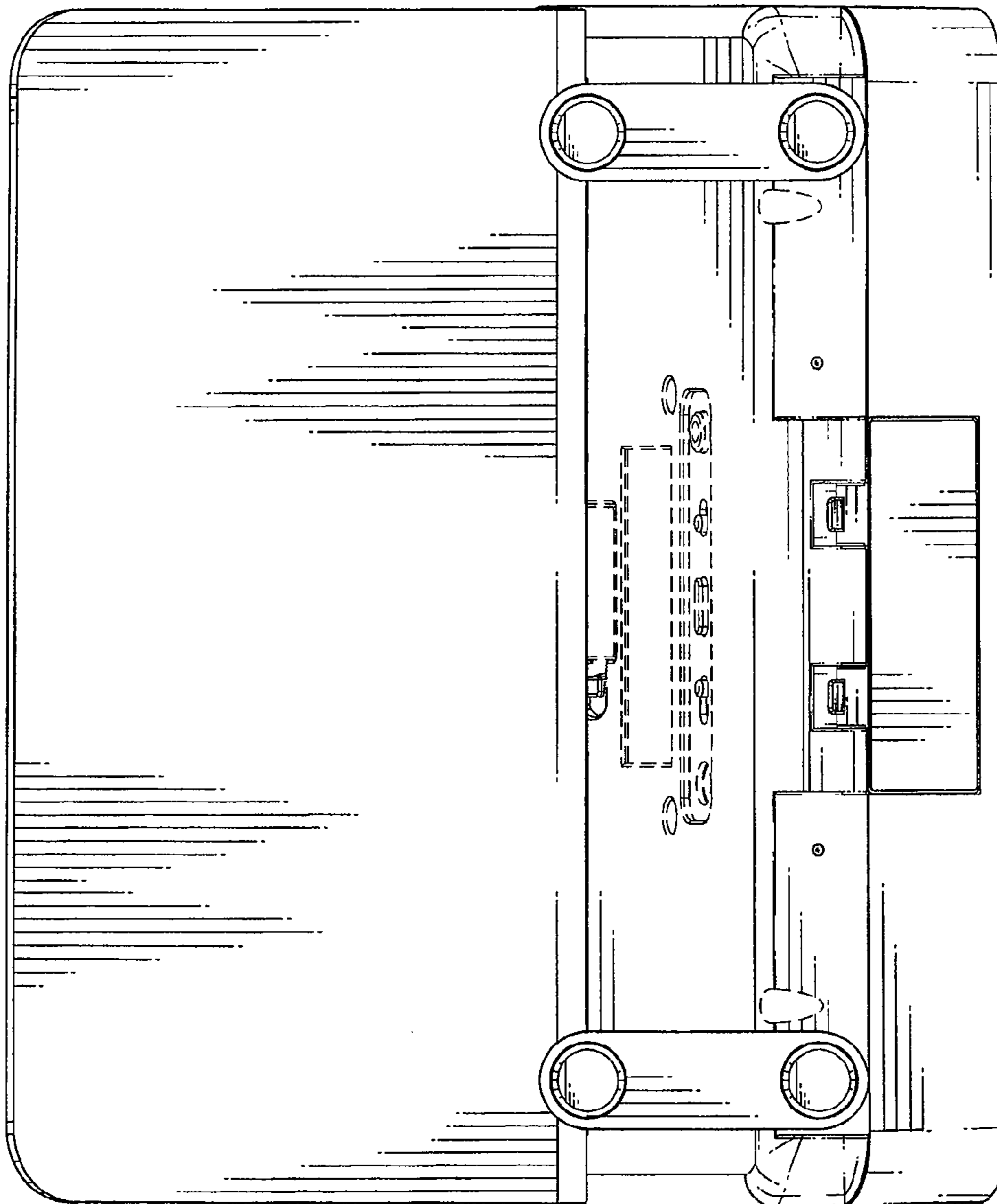


FIG. 3

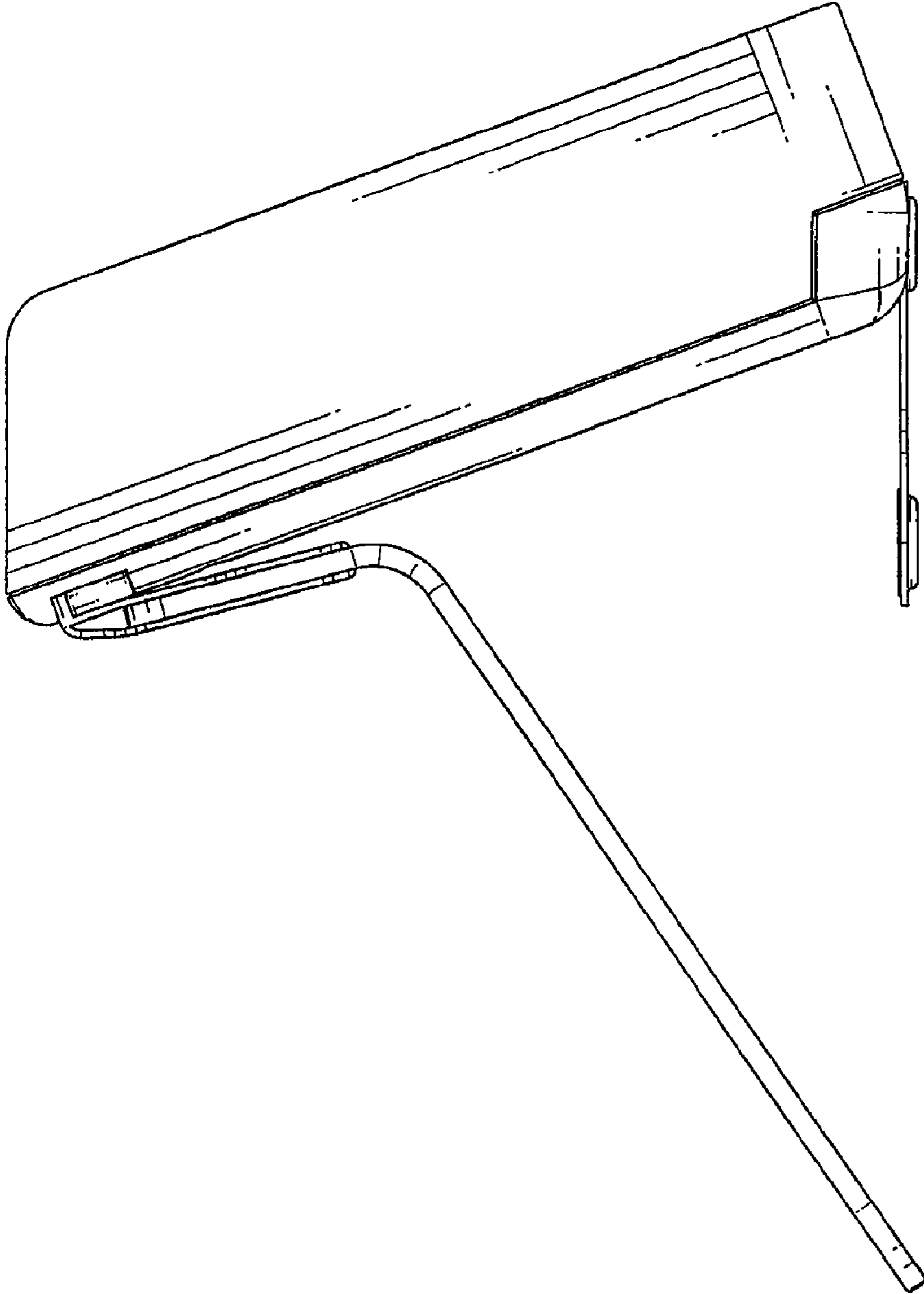


FIG. 4

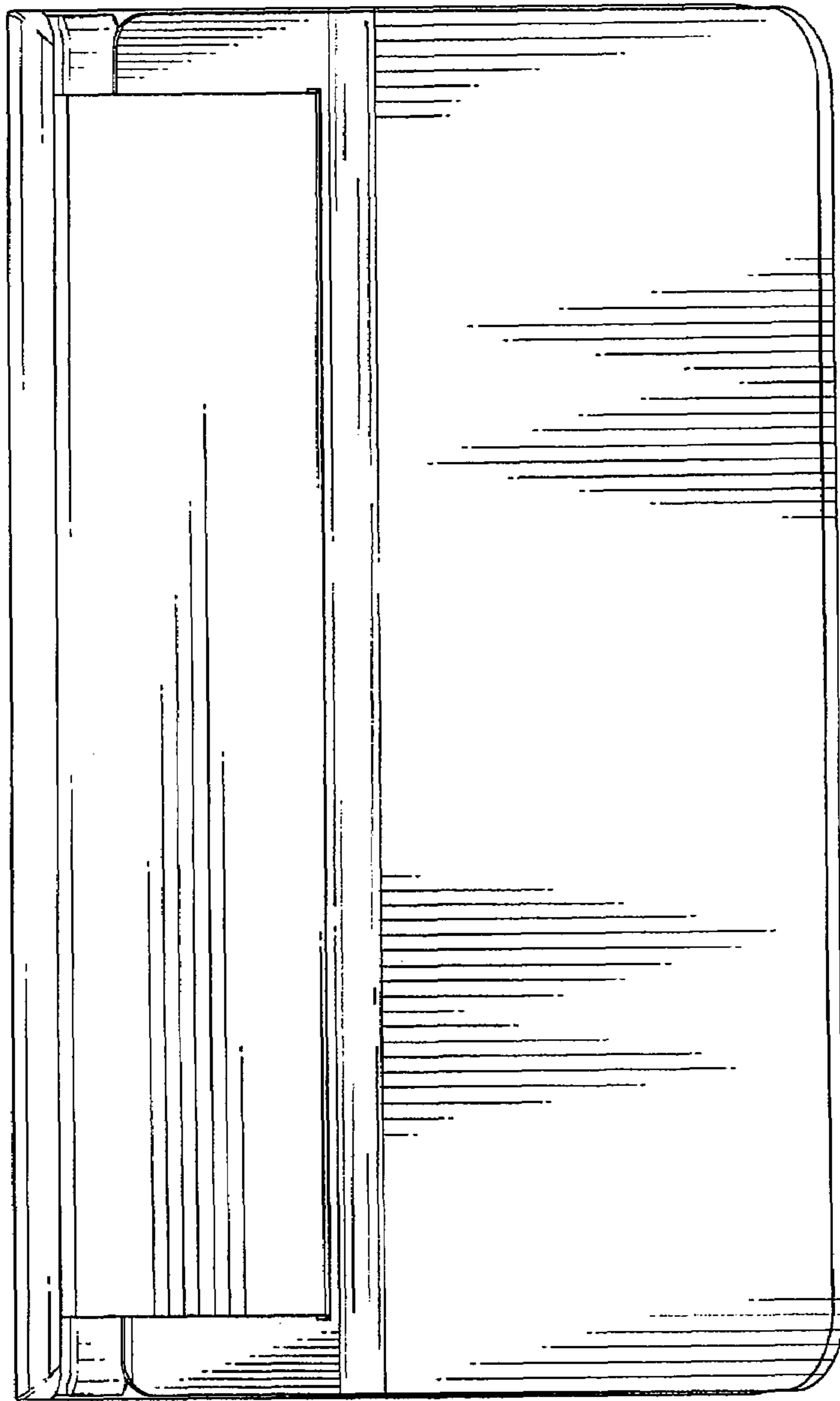


FIG. 5

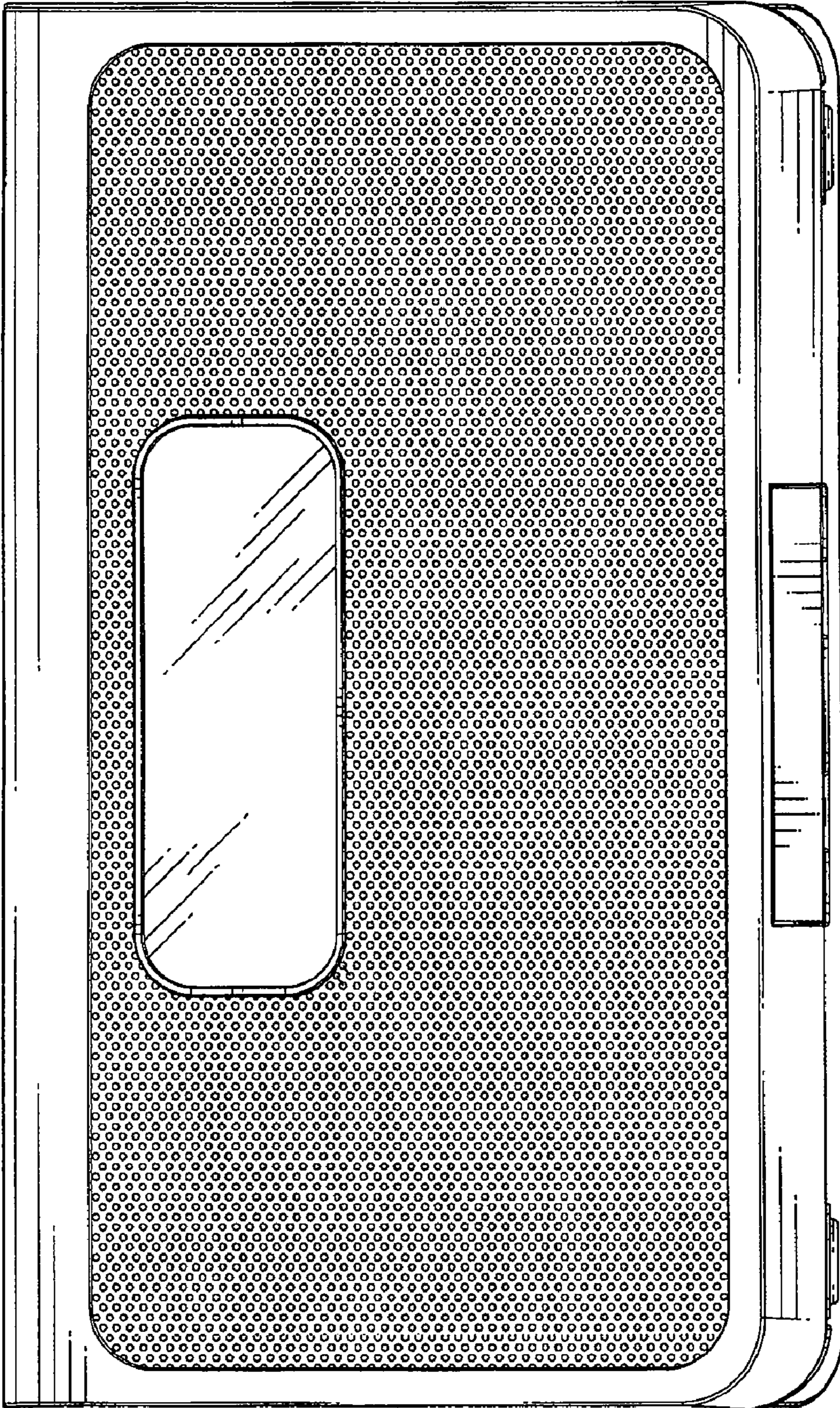


FIG. 6

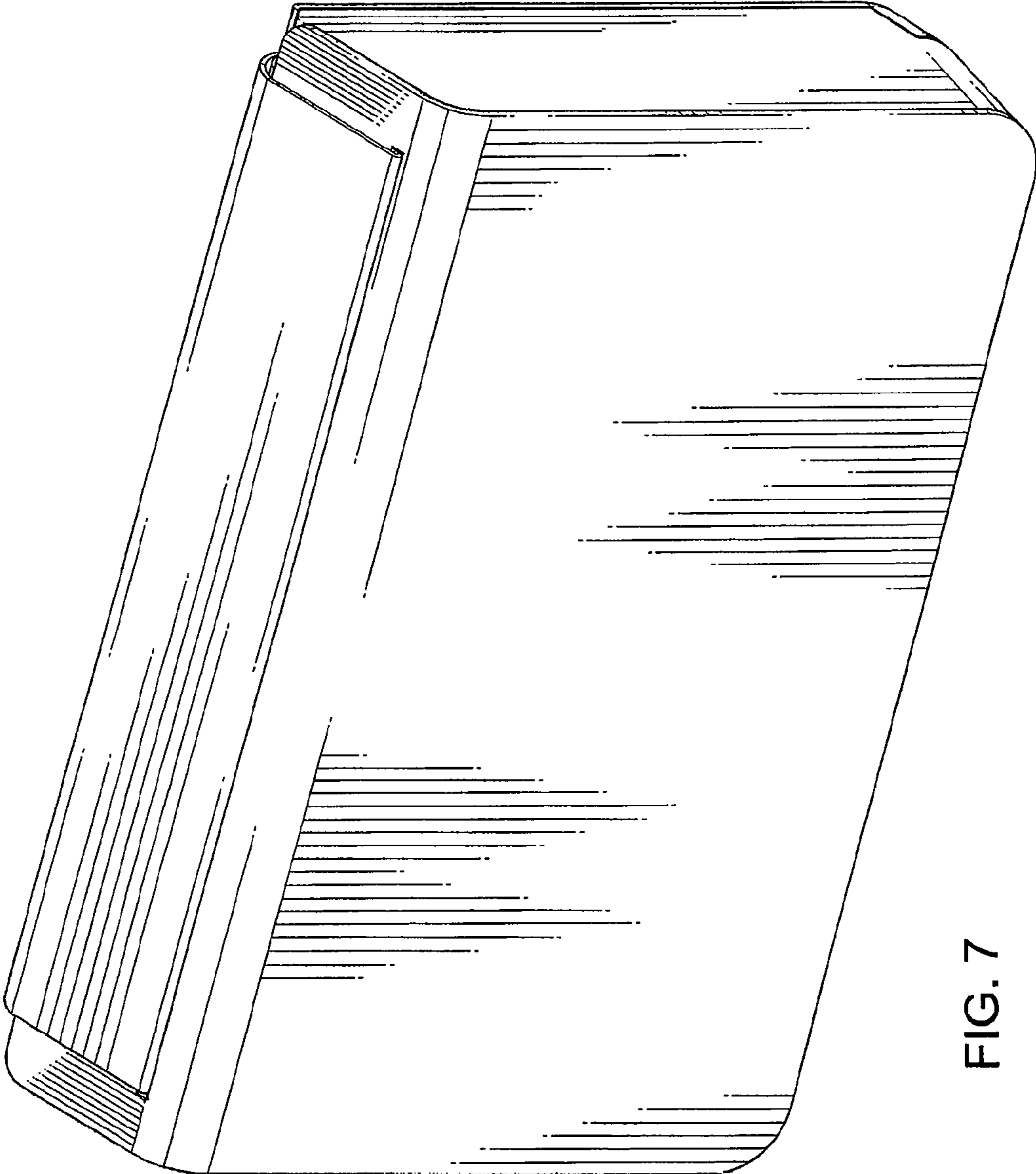


FIG. 7

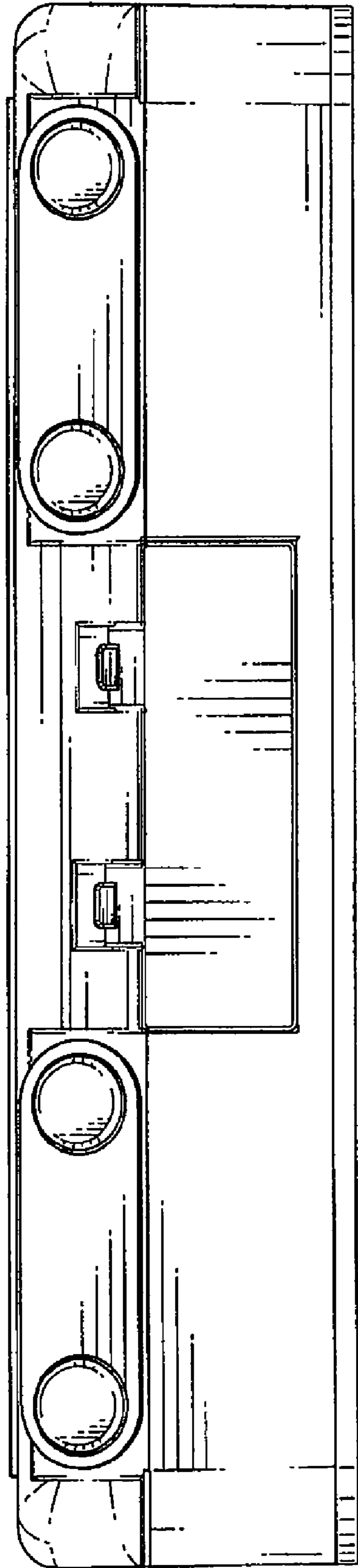


FIG. 8

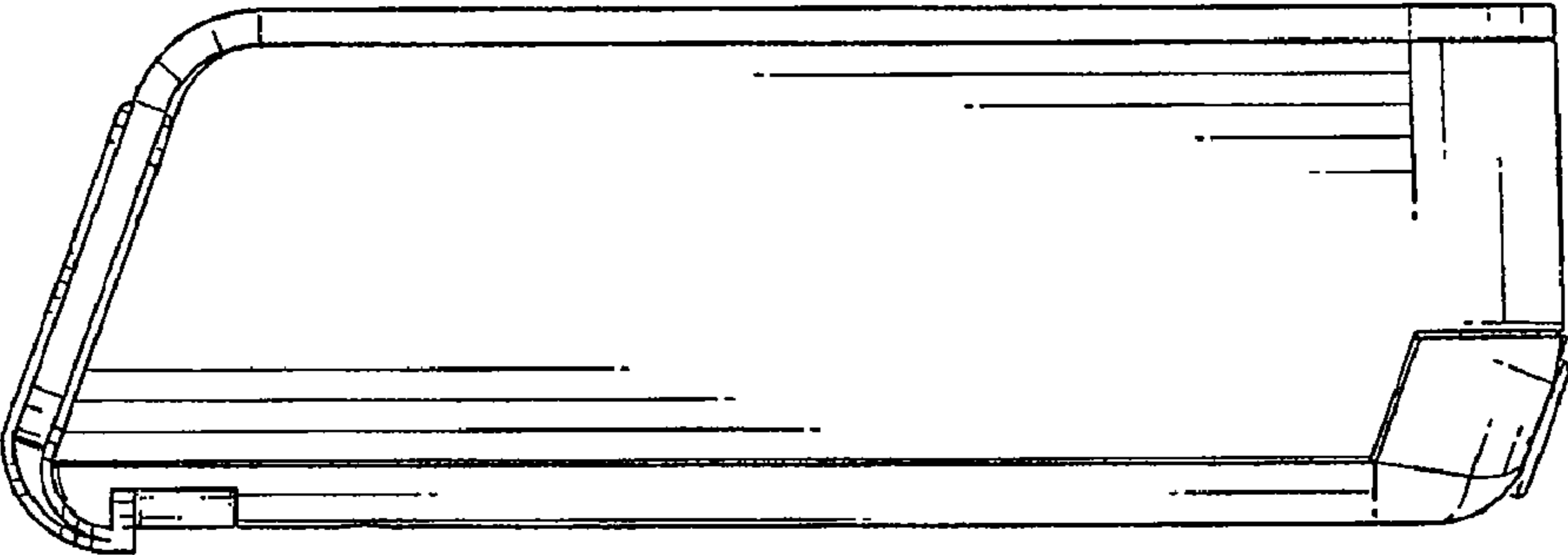


FIG. 9