



US00D598894S

(12) **United States Design Patent**  
**Masuda et al.**

(10) **Patent No.:** **US D598,894 S**

(45) **Date of Patent:** **\*\* Aug. 25, 2009**

(54) **EARPHONE**

(75) Inventors: **Mitsuhiro Masuda**, Shizuoka (JP); **Eiji Matsuyama**, Shizuoka (JP); **Shotaro Kamo**, Shizuoka (JP)

(73) Assignee: **Star Micronics Co., Ltd.**, Shizuoka-shi (JP)

(\*\*) Term: **14 Years**

(21) Appl. No.: **29/326,407**

(22) Filed: **Oct. 17, 2008**

(30) **Foreign Application Priority Data**

Apr. 24, 2008 (JP) ..... 2008-010499

(51) **LOC (9) Cl.** ..... **14-01**

(52) **U.S. Cl.** ..... **D14/205**

(58) **Field of Classification Search** ..... D14/205, D14/206, 223, 142, 188, 240, 249; D24/106, D24/174; 128/864, 965, 866; 379/420.04, 379/430; 181/129, 130; 381/380, 381, 370, 381/338, 151; 455/575.1, 90.3  
See application file for complete search history.

(56) **References Cited**

**U.S. PATENT DOCUMENTS**

D467,333 S \* 12/2002 Martinson ..... D24/106  
D485,548 S \* 1/2004 Obata ..... D14/223  
6,931,142 B2 \* 8/2005 Fushimi ..... 381/325  
D519,107 S \* 4/2006 Yang ..... D14/223

D554,627 S \* 11/2007 Gondo ..... D14/223  
D564,495 S \* 3/2008 Sasaki ..... D14/205  
D566,099 S \* 4/2008 Komiyama ..... D14/206  
D567,217 S \* 4/2008 Kamo et al. .... D14/205  
D572,703 S \* 7/2008 Ledbetter et al. .... D14/205  
D579,005 S \* 10/2008 Wilhelmsen ..... D14/223  
D586,332 S \* 2/2009 Ewert et al. .... D14/223  
D587,681 S \* 3/2009 Yanai ..... D14/205  
D587,685 S \* 3/2009 Densho ..... D14/206

\* cited by examiner

*Primary Examiner*—Paula Greene

(74) *Attorney, Agent, or Firm*—Sughrue Mion, PLLC

(57) **CLAIM**

The ornamental design for a earphone, as shown and described.

**DESCRIPTION**

FIG. 1 is a front perspective view of the earphone according to the present invention;

FIG. 2 is a rear perspective view thereof;

FIG. 3 is a front view thereof;

FIG. 4 is a rear view thereof;

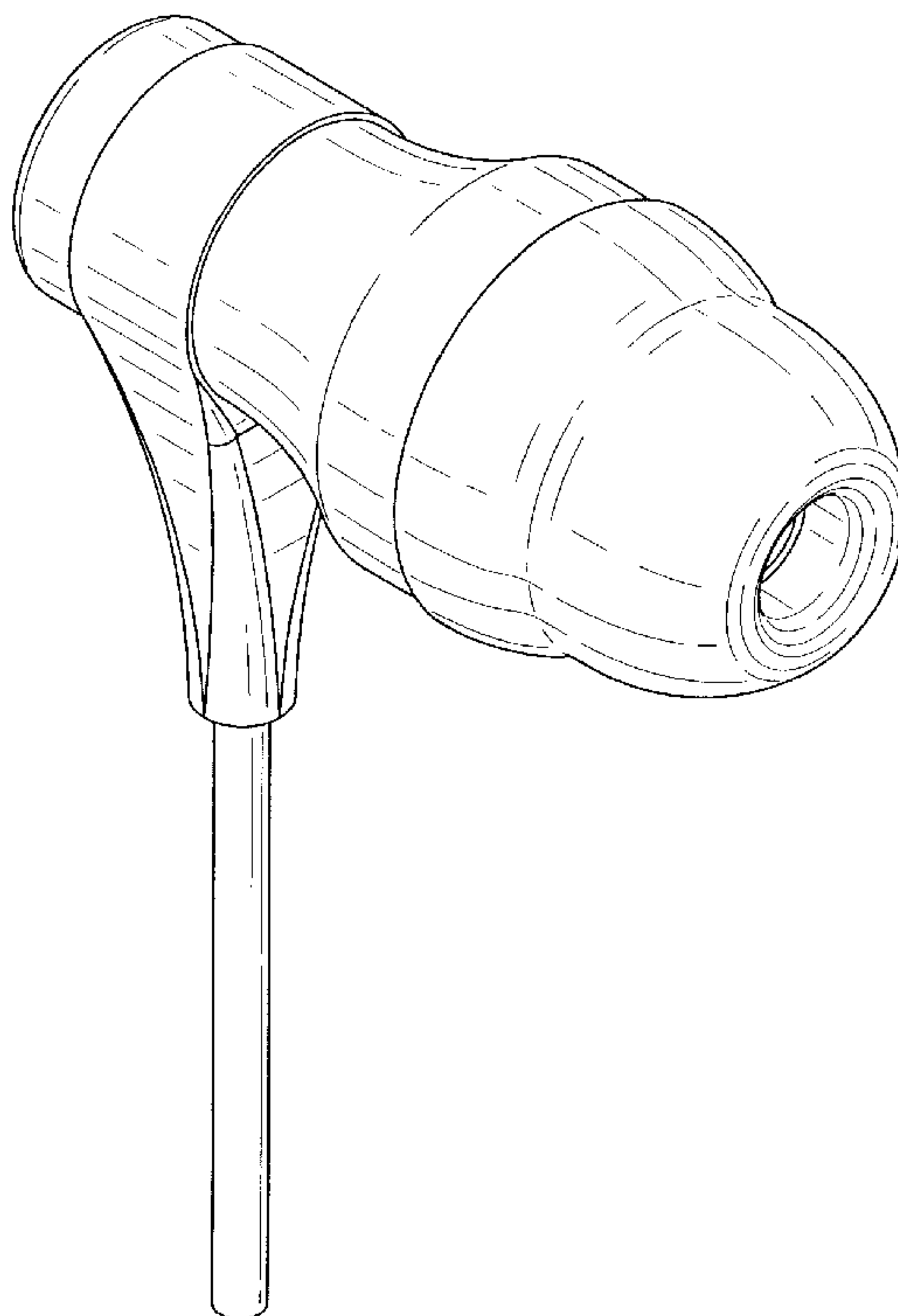
FIG. 5 is a top view thereof;

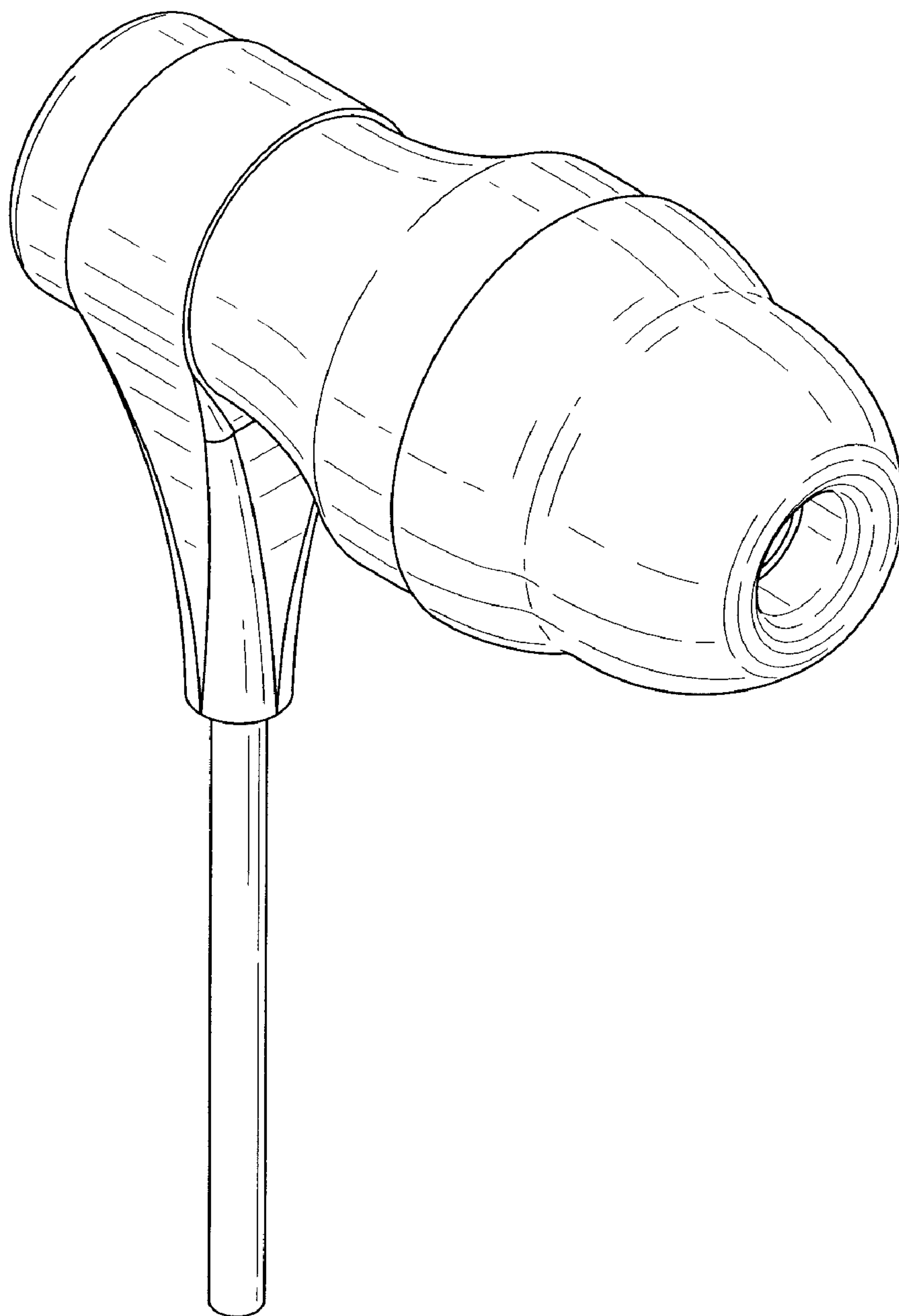
FIG. 6 is a bottom view thereof;

FIG. 7 is a side view thereof; and,

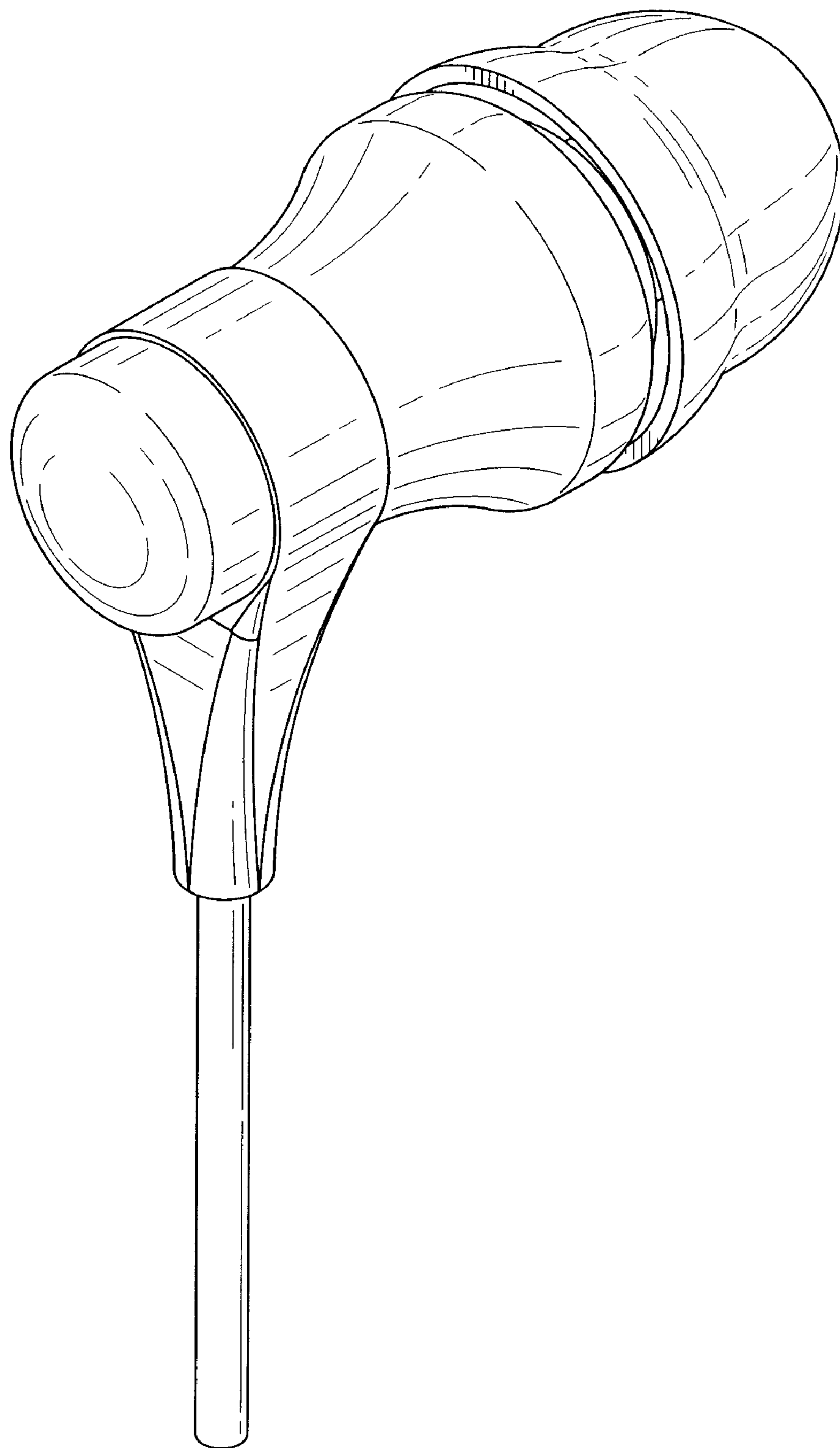
FIG. 8 is a cross-sectional view taken along line 8—8 in FIG. 3.

**1 Claim, 6 Drawing Sheets**





**FIG. 1**



*FIG. 2*

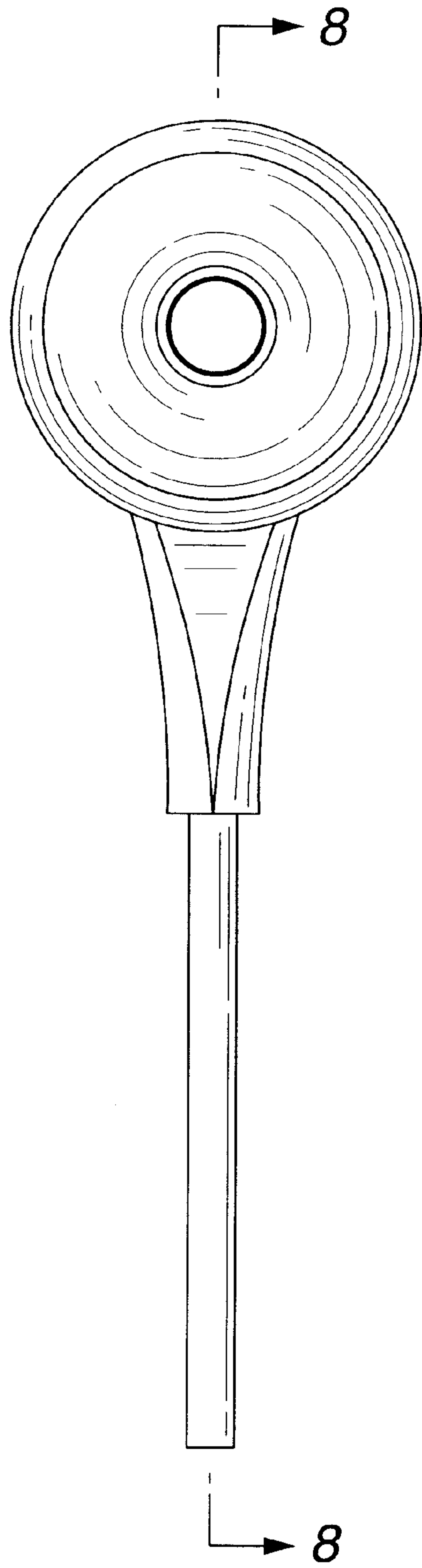


FIG. 3

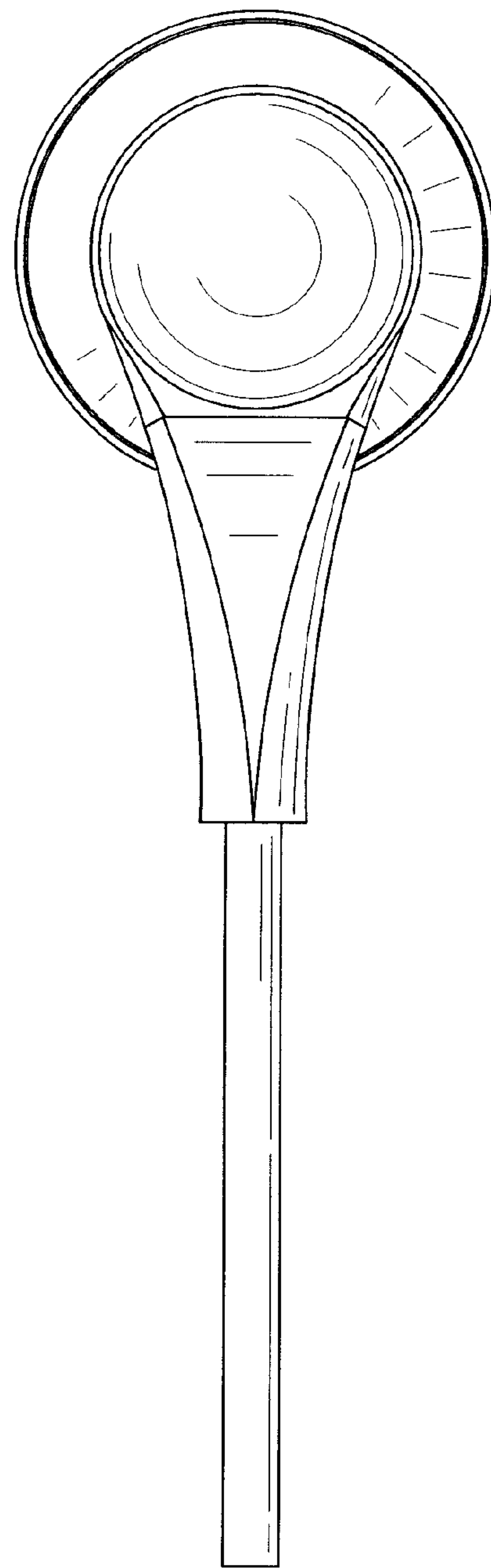
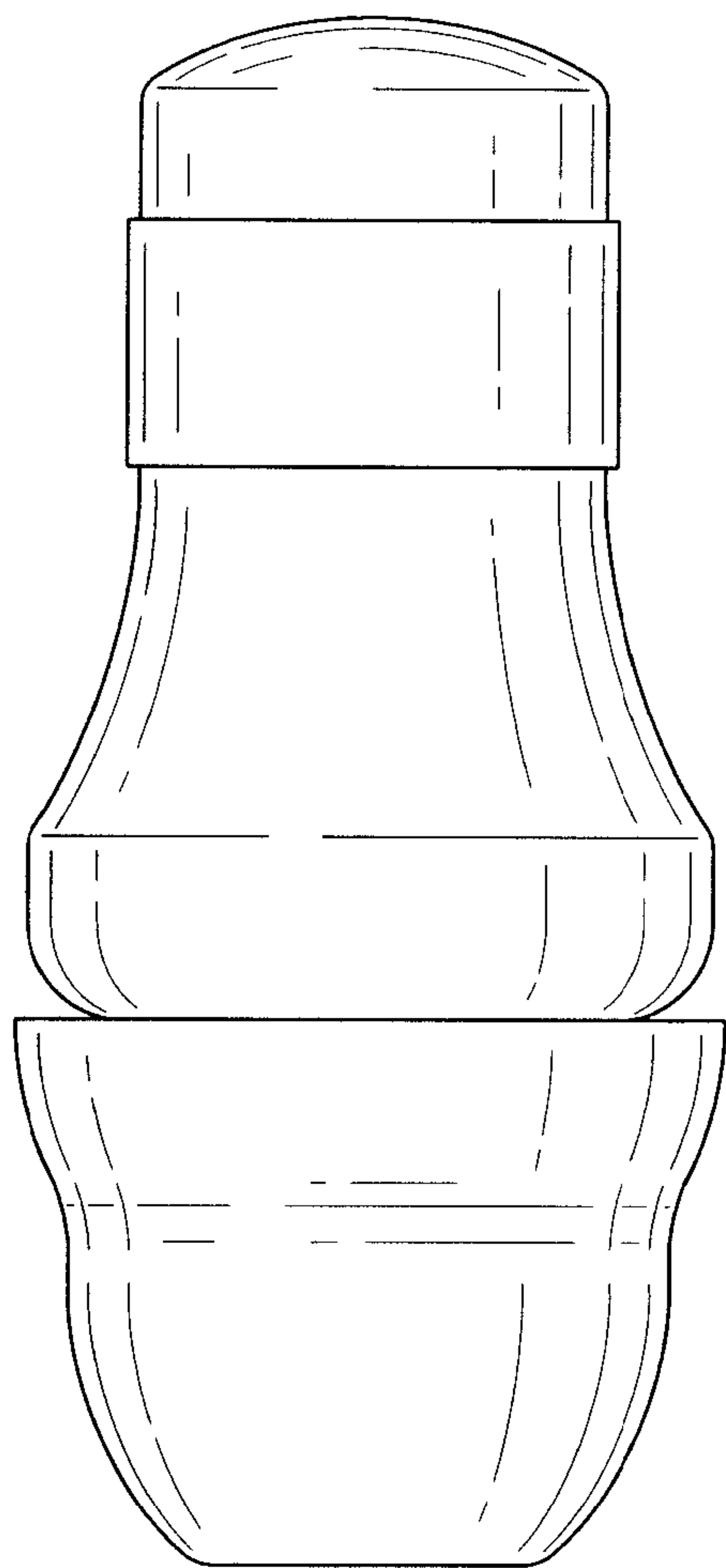
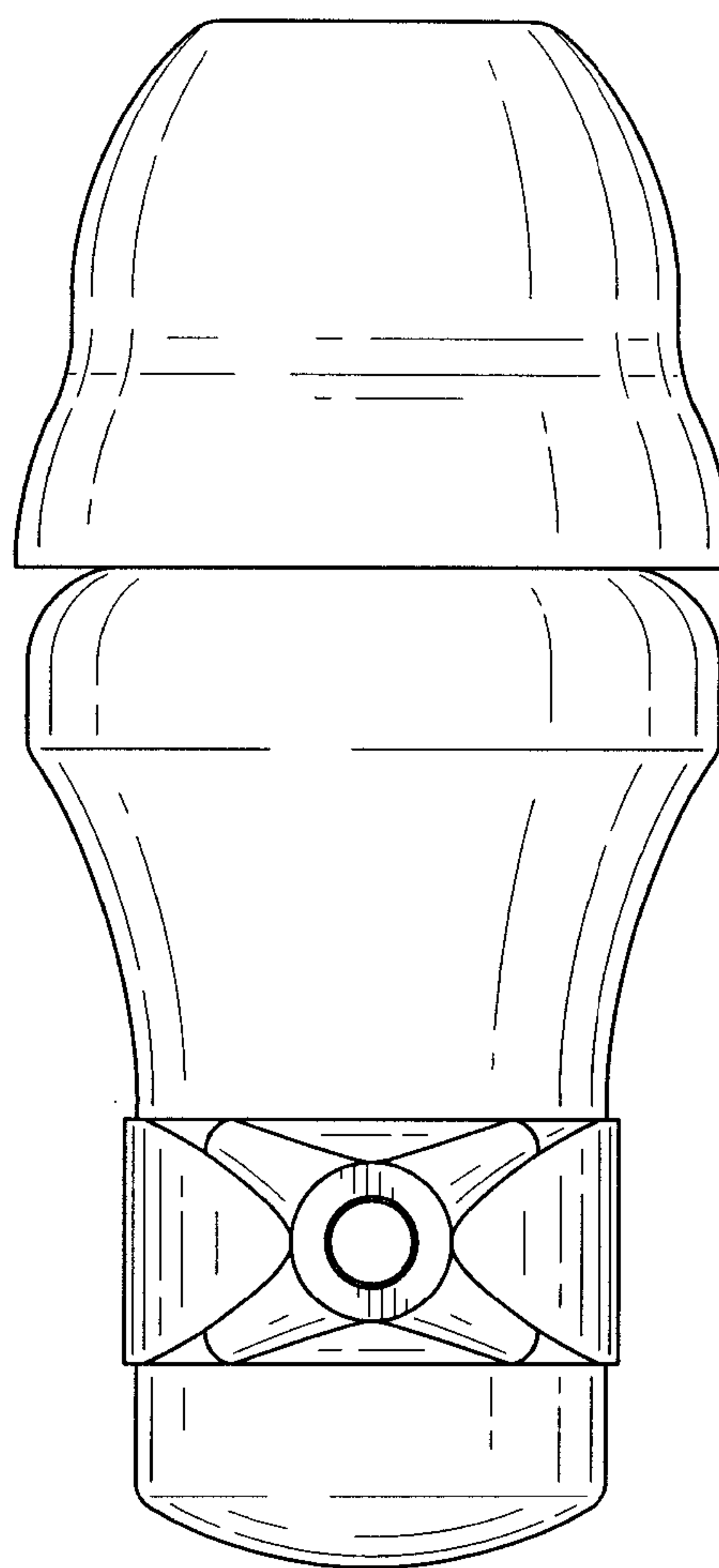


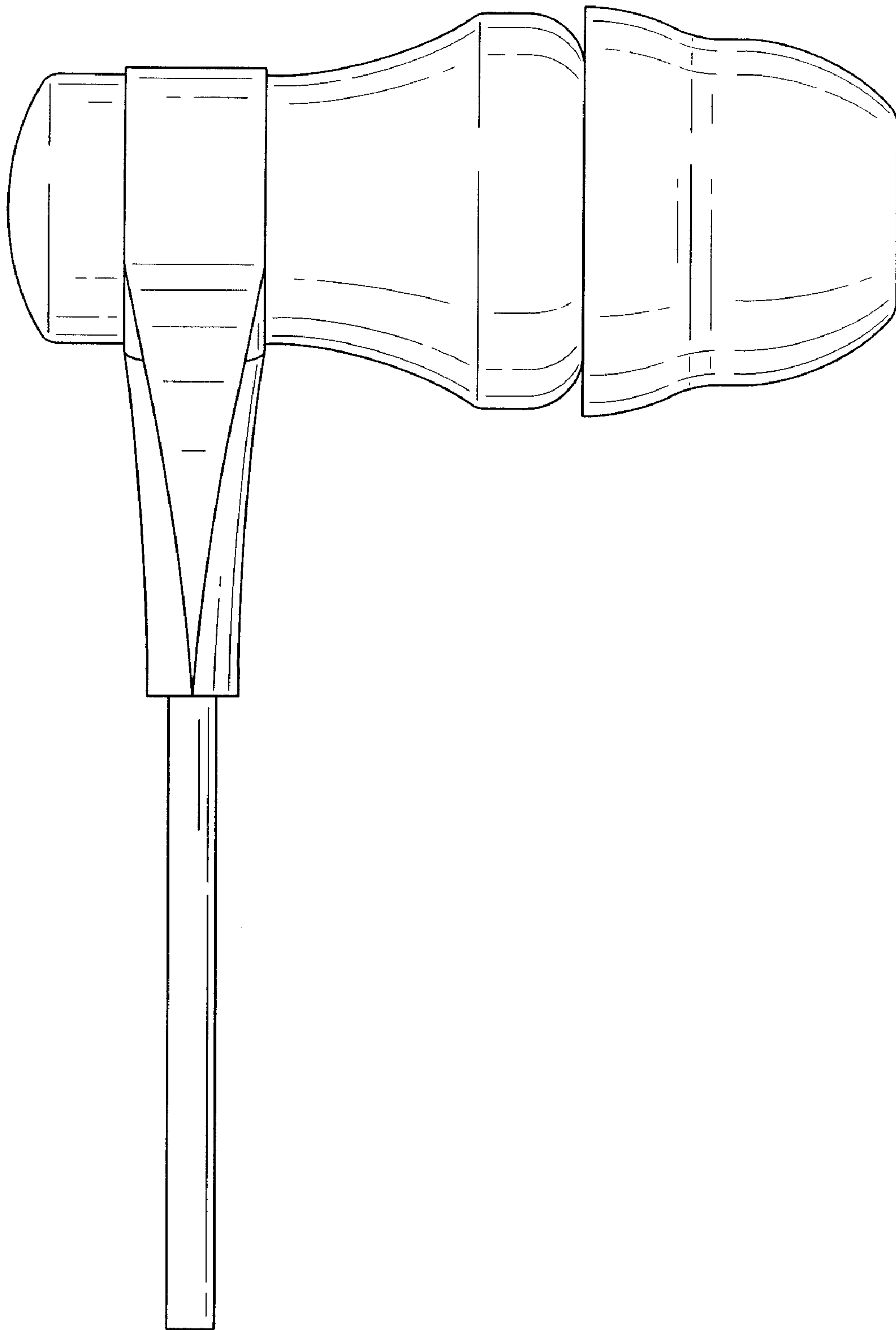
FIG. 4



*FIG. 5*



*FIG. 6*



*FIG. 7*



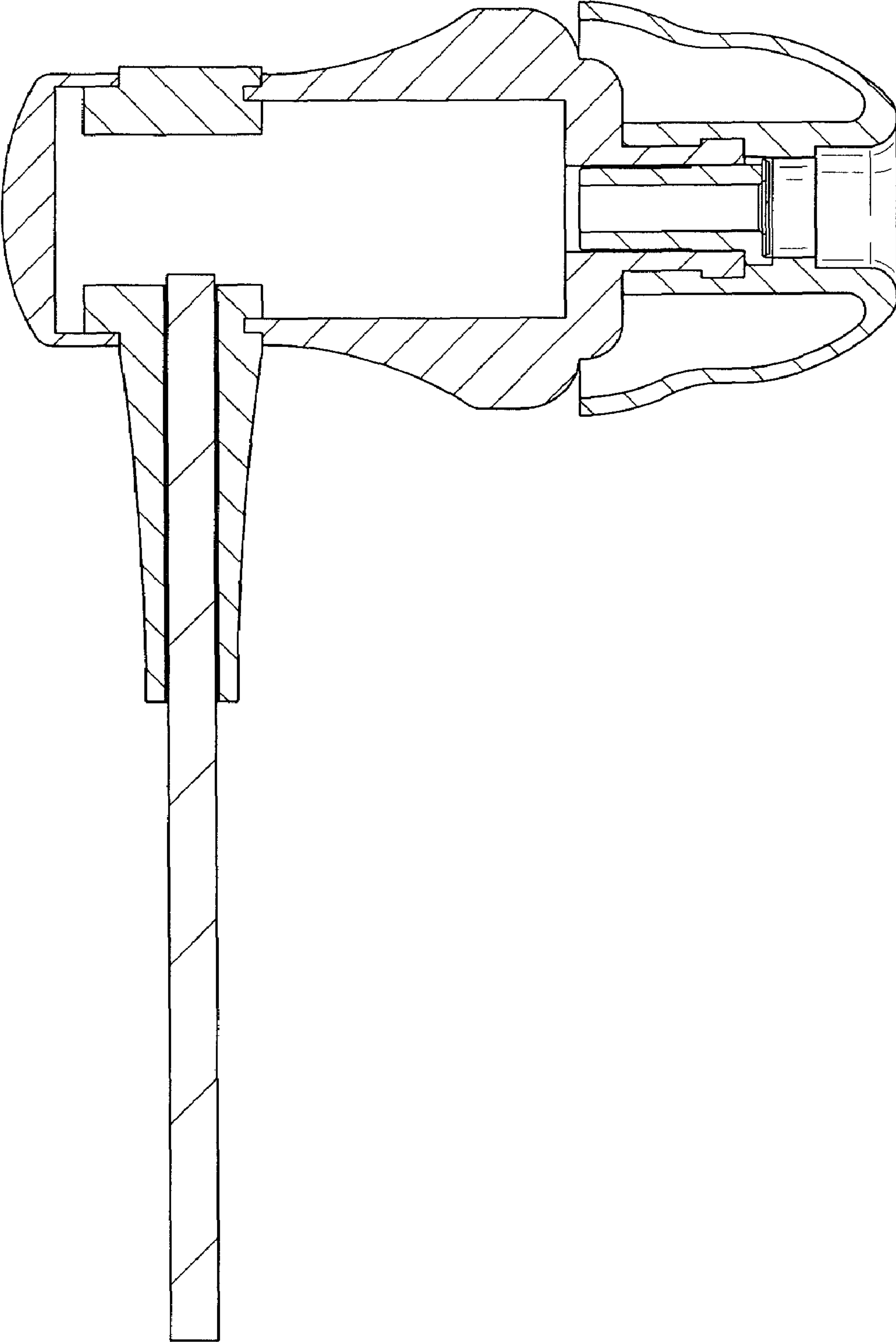


FIG. 8