



US00D598893S

(12) **United States Design Patent**  
**Asai**

(10) **Patent No.:** **US D598,893 S**  
(45) **Date of Patent:** **\*\* Aug. 25, 2009**

(54) **RADIO TRANSMITTER-RECEIVER**

(75) Inventor: **Yoshihiko Asai**, Tokyo (JP)

(73) Assignee: **Panasonic Corporation**, Osaka (JP)

(\*\*) Term: **14 Years**

(21) Appl. No.: **29/326,088**

(22) Filed: **Oct. 10, 2008**

(30) **Foreign Application Priority Data**

Apr. 11, 2008 (JP) ..... 2008-009318

(51) **LOC (9) Cl.** ..... **14-03**

(52) **U.S. Cl.** ..... **D14/188**; D14/496

(58) **Field of Classification Search** ..... D14/496,  
D14/401, 435, 474, 483, 217, 137, 138, 160,  
D14/168, 356, 203.1–203.8, 507, 188; 345/156,  
345/169, 173–179, 905; 715/727–729, 864;  
710/1, 5, 8; 713/1, 600; 455/1.1, 1.7, 73,  
455/344–347, 93, 95, 3.01–3.06, 550.1, 573.1;  
370/342–344; 369/1, 2, 6–12; 463/43–47;  
273/148 B

See application file for complete search history.

(56) **References Cited**

**U.S. PATENT DOCUMENTS**

D398,606 S \* 9/1998 Wicks et al. .... D14/191  
D441,735 S \* 5/2001 Katayama ..... D14/203.7  
D450,309 S \* 11/2001 Ishii et al. .... D14/167  
D472,885 S \* 4/2003 Kataoka ..... D14/167  
D483,348 S \* 12/2003 Nishii et al. .... D14/188

6,769,603 B2 \* 8/2004 Nagai et al. .... 235/375  
D517,524 S \* 3/2006 Chen ..... D14/188  
D523,414 S \* 6/2006 Kobayashi ..... D14/188  
D557,252 S \* 12/2007 Obata et al. .... D14/197  
D558,782 S \* 1/2008 Deguchi ..... D14/496

**FOREIGN PATENT DOCUMENTS**

JP D1111838 6/2001  
JP D1181155 8/2003  
JP D1182464 8/2003

\* cited by examiner

*Primary Examiner*—Prabhakar Deshmukh

(74) *Attorney, Agent, or Firm*—Brinks Hofer Gilson & Lione

(57) **CLAIM**

I claim the ornamental design for a radio transmitter-receiver, as shown and described.

**DESCRIPTION**

FIG. 1 is a front perspective view of a radio transmitter-receiver of the present invention;

FIG. 2 is a front view thereof;

FIG. 3 is a rear view thereof;

FIG. 4 is a first side view thereof;

FIG. 5 is a second side view thereof;

FIG. 6 is a top view thereof; and,

FIG. 7 is a bottom view thereof.

The broken line showing of radio transmitter-receiver is included for the purpose of illustrating environment and forms no part of the claimed design.

**1 Claim, 7 Drawing Sheets**

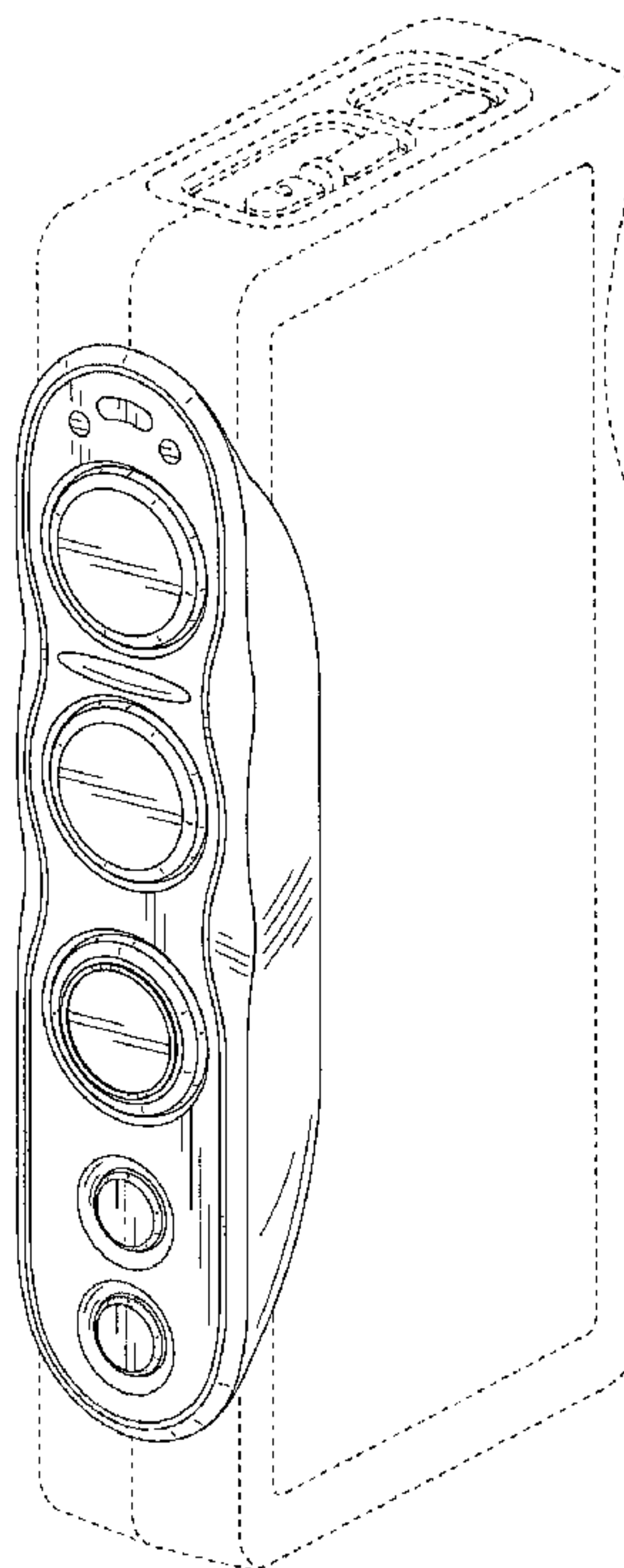


FIG.1

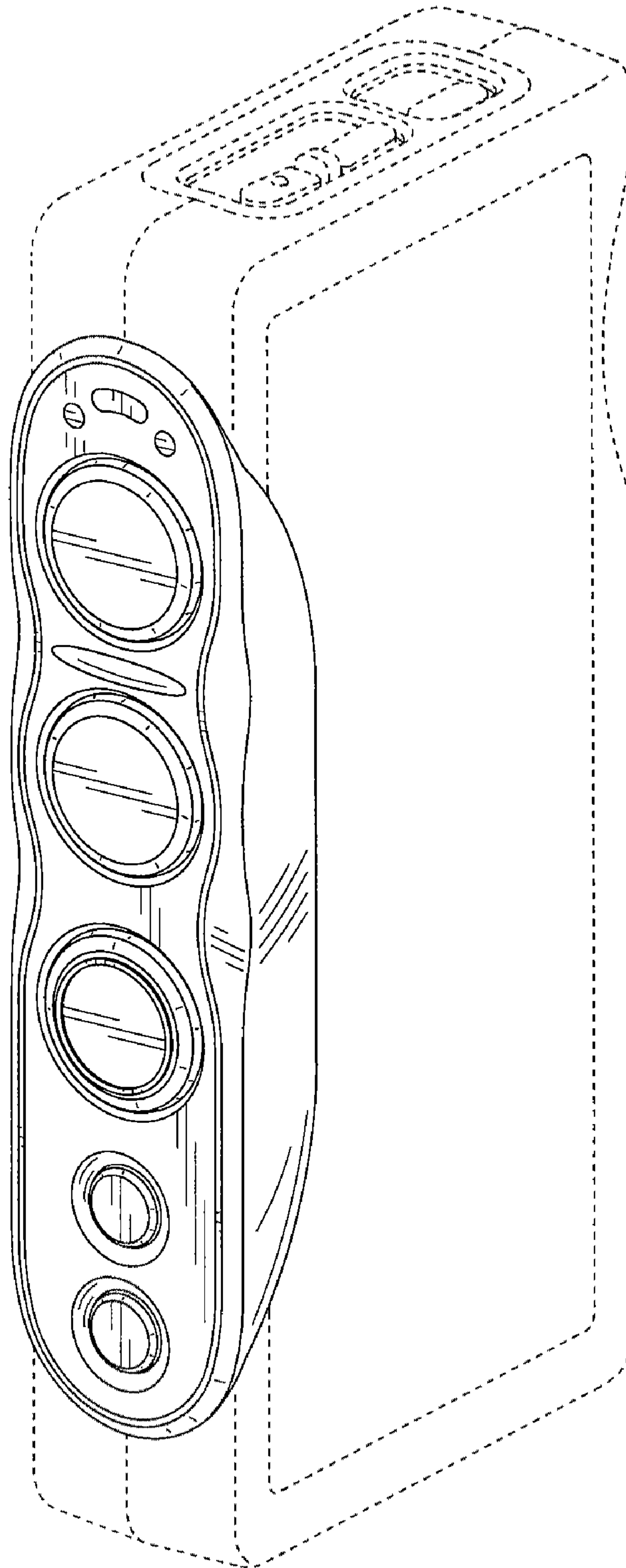


FIG.2

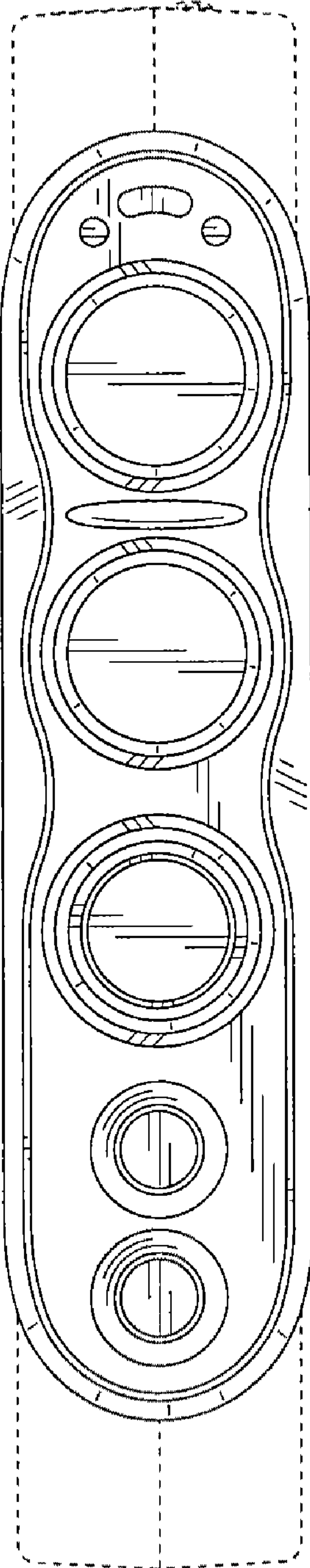


FIG.3

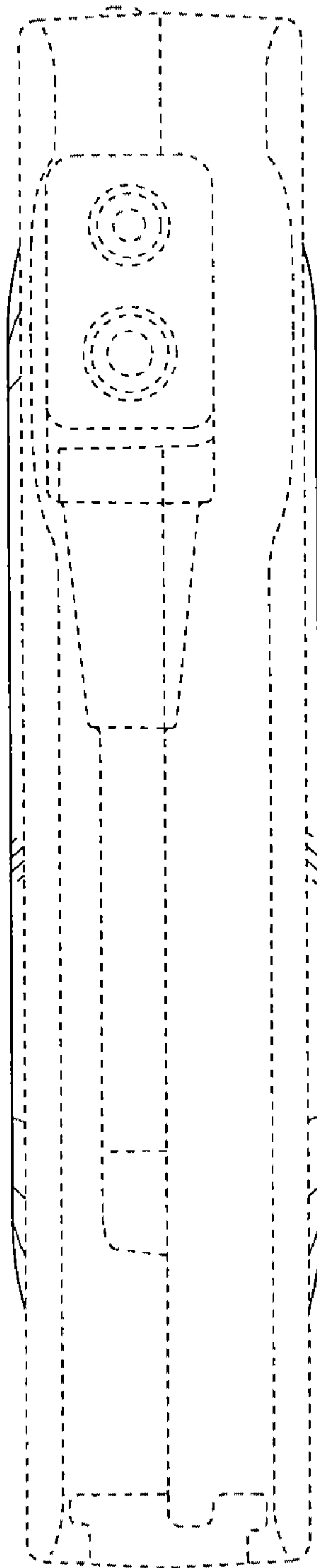


FIG.4

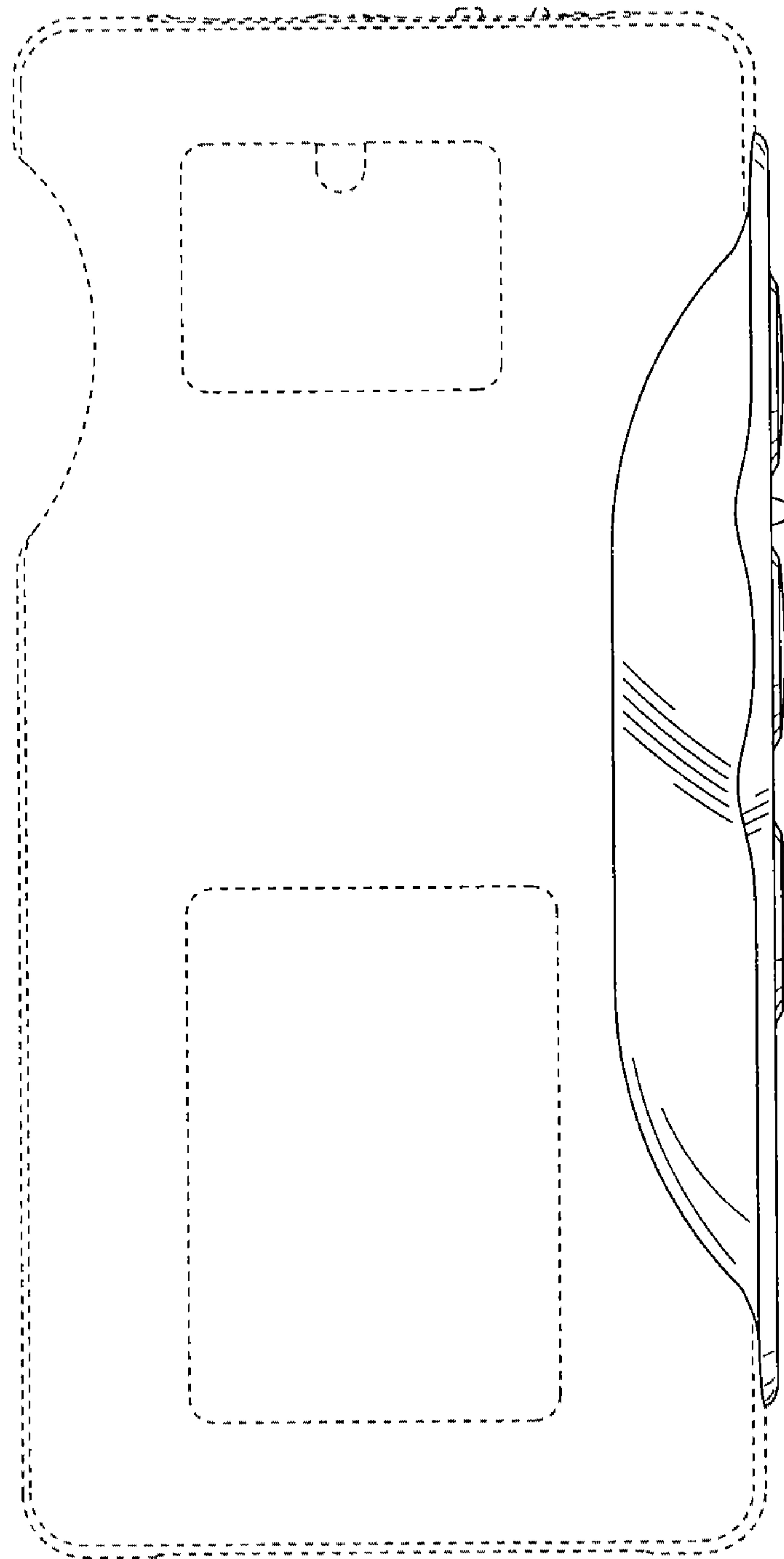


FIG.5

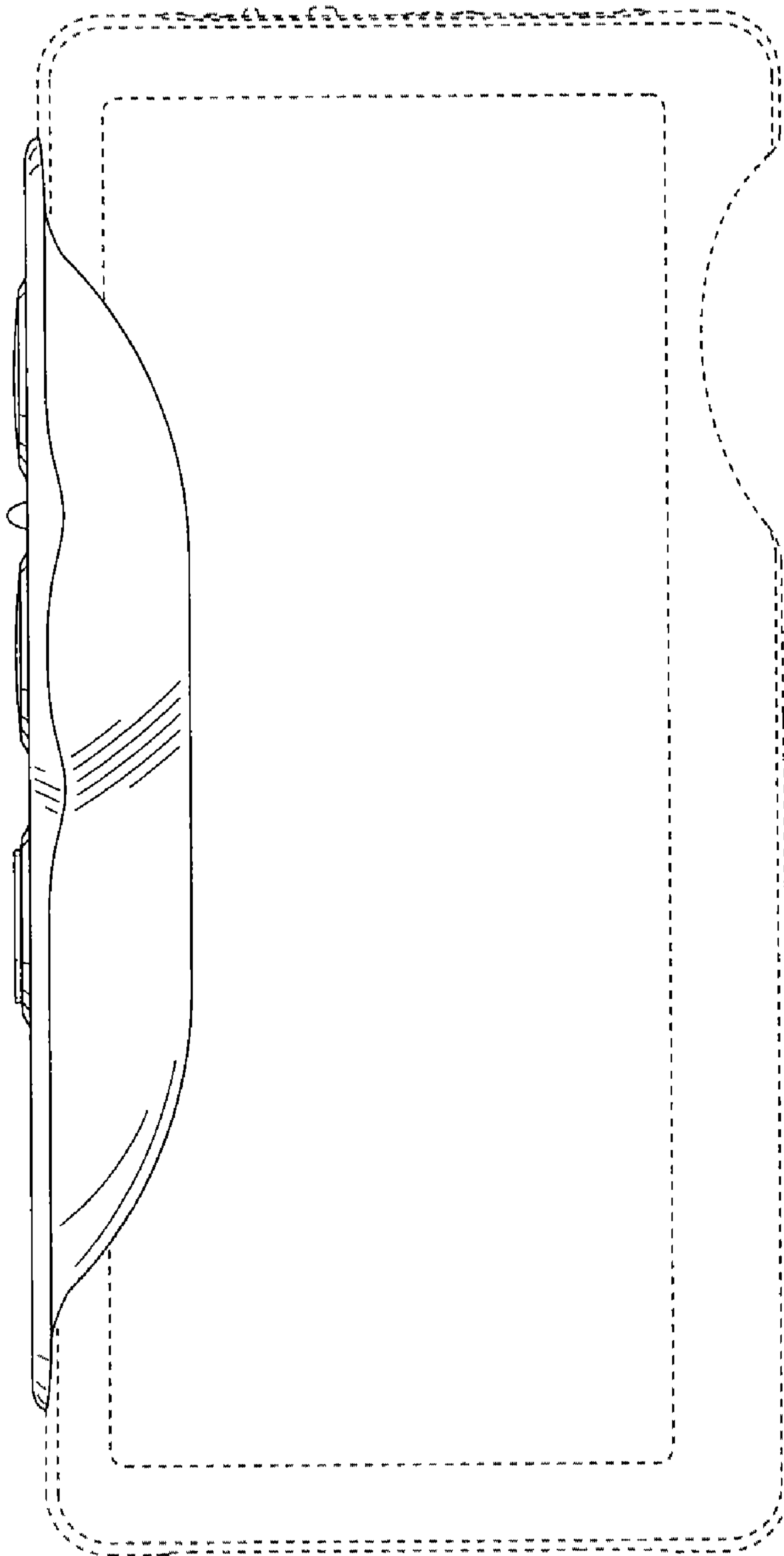


FIG.6

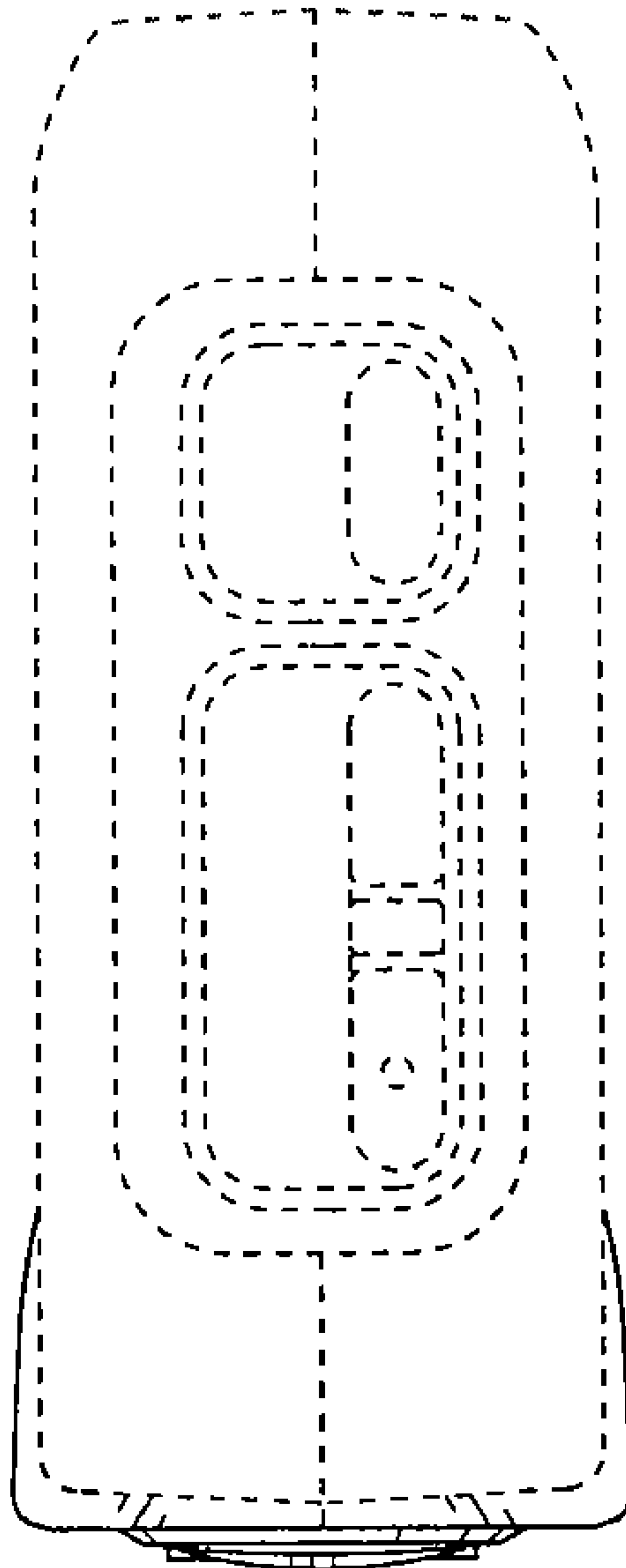


FIG. 7

