



US00D598890S

(12) **United States Design Patent**
Lee et al.

(10) **Patent No.:** **US D598,890 S**
(45) **Date of Patent:** **** Aug. 25, 2009**

(54) **FM TRANSMITTER**

(75) Inventors: **Noel Lee**, Las Vegas, NV (US); **Jacky Hsiung**, San Jose, CA (US); **Yasuhiro Yamamoto**, Los Angeles, CA (US)

(73) Assignee: **Monster Cable Products, Inc.**,
Brisbane, CA (US)

(**) Term: **14 Years**

(21) Appl. No.: **29/323,544**

(22) Filed: **Aug. 27, 2008**

(51) **LOC (9) Cl.** **14-03**

(52) **U.S. Cl.** **D14/155**

(58) **Field of Classification Search** D14/167,
D14/154, 168, 188, 496, 160, 161, 162, 163,
D14/164, 165, 158, 240, 156, 155, 341, 346,
D14/342, 345, 218, 225; D16/208; D26/38;
455/351, 350; D10/104, 106, 65

See application file for complete search history.

(56) **References Cited**

U.S. PATENT DOCUMENTS

D371,054 S *	6/1996	Henderson	D7/624.1
D441,735 S *	5/2001	Katayama	D14/203.7
D467,891 S *	12/2002	Tokioka et al.	D14/203.3
D487,460 S *	3/2004	Lee	D14/368
D507,277 S *	7/2005	Sitoh	D14/203.7
D511,984 S *	11/2005	Kumagai	D10/104
D515,545 S *	2/2006	Griffin	D14/155
D516,576 S *	3/2006	Ive et al.	D14/203.7
7,046,230 B2 *	5/2006	Zadesky et al.	345/156
D531,157 S *	10/2006	Lheem	D14/138 AB

D534,545 S *	1/2007	Leija et al.	D14/496
D538,795 S *	3/2007	Wong et al.	D14/240
D558,731 S *	1/2008	Kim	D14/155
D560,228 S *	1/2008	Andre et al.	D14/496
D562,264 S *	2/2008	Jeong et al.	D13/164
D574,834 S *	8/2008	Chen	D14/432
D578,991 S *	10/2008	Donovan et al.	D14/155

* cited by examiner

Primary Examiner—Cathron C Brooks

Assistant Examiner—Austin Murphy

(74) *Attorney, Agent, or Firm*—LaRiviere, Grubman & Payne, LLP

(57) **CLAIM**

We claim the ornamental design for an FM transmitter, as shown and described.

DESCRIPTION

FIG. 1 is a perspective view of an FM transmitter showing environment, in accordance with the present invention.

FIG. 2 is a front view thereof;

FIG. 3 is a rear view thereof;

FIG. 4 is a side view thereof;

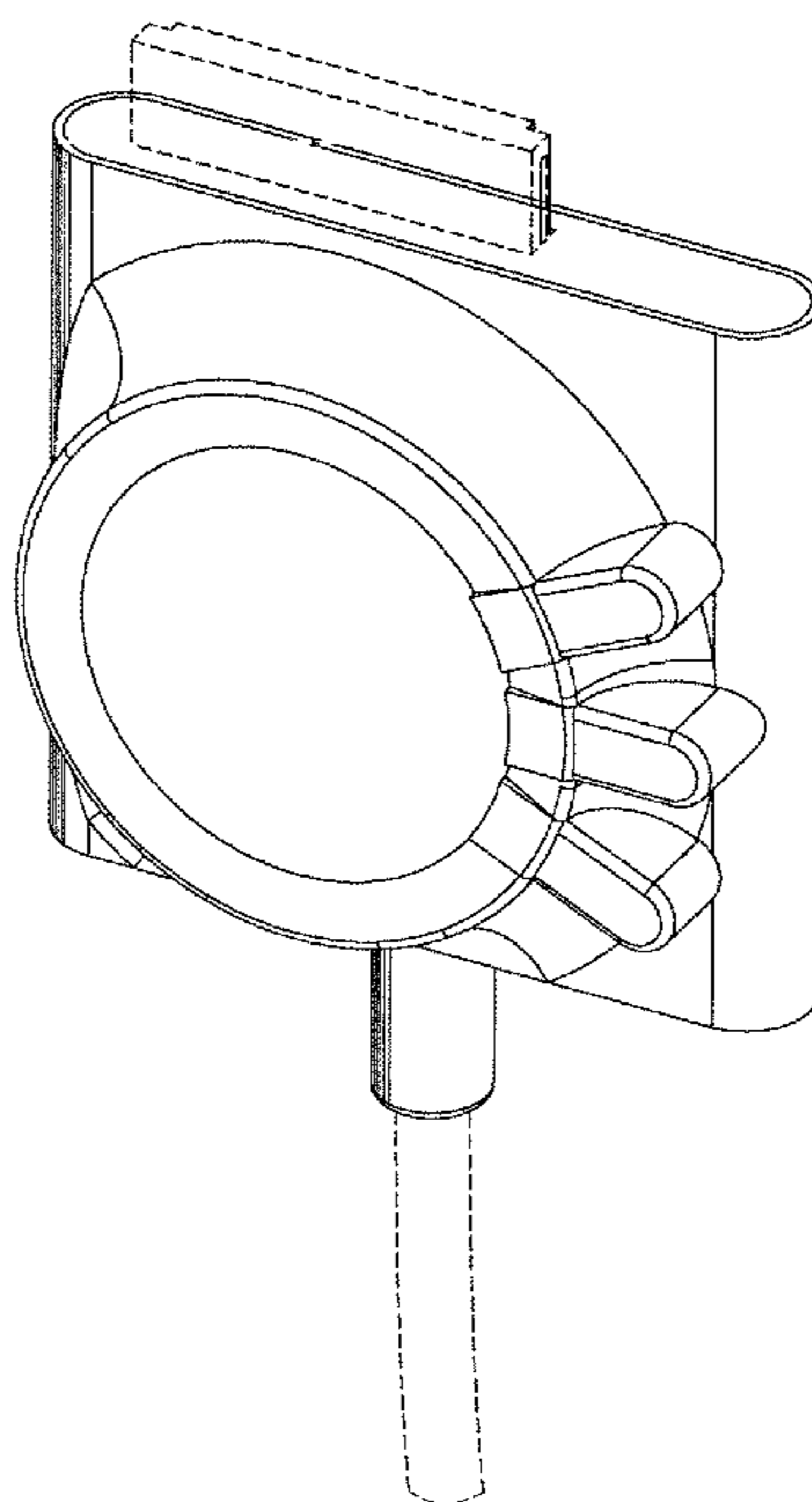
FIG. 5 is an opposing side view thereof;

FIG. 6 is a top view thereof; and,

FIG. 7 is a bottom view thereof.

The broken lines shown in the drawings depict unclaimed portions of the FM transmitter and form no part of the claimed design.

1 Claim, 4 Drawing Sheets



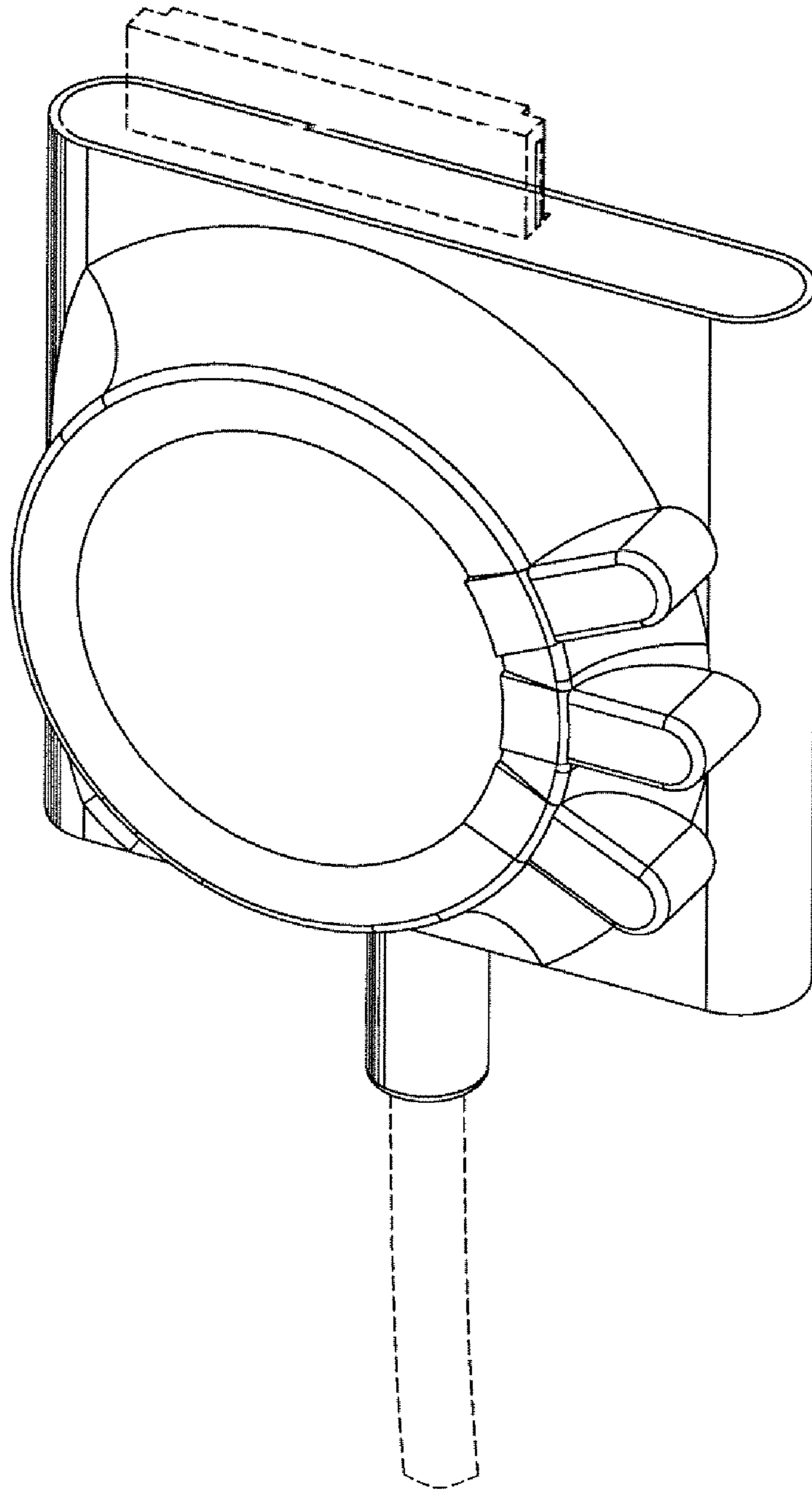


Figure 1

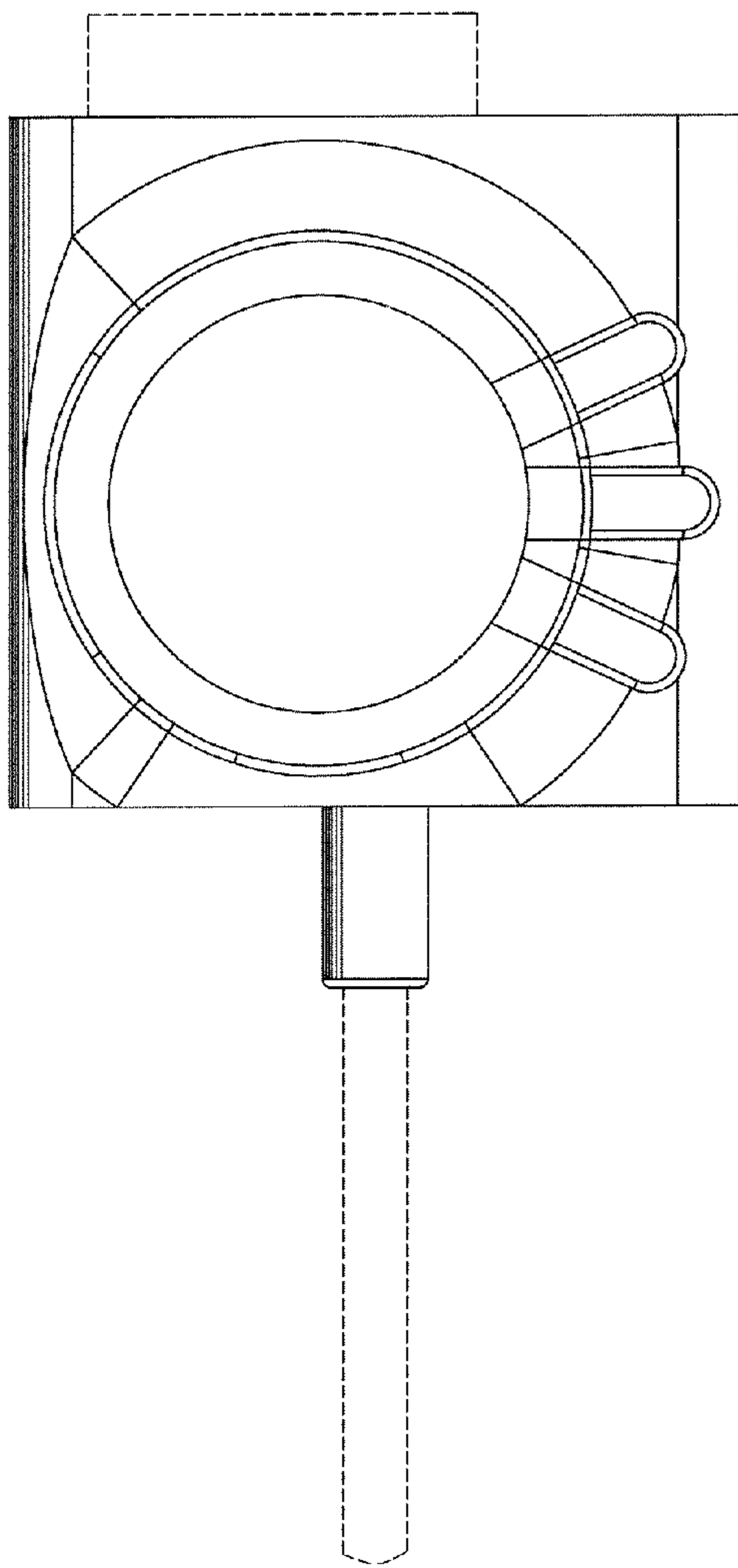


Figure 2

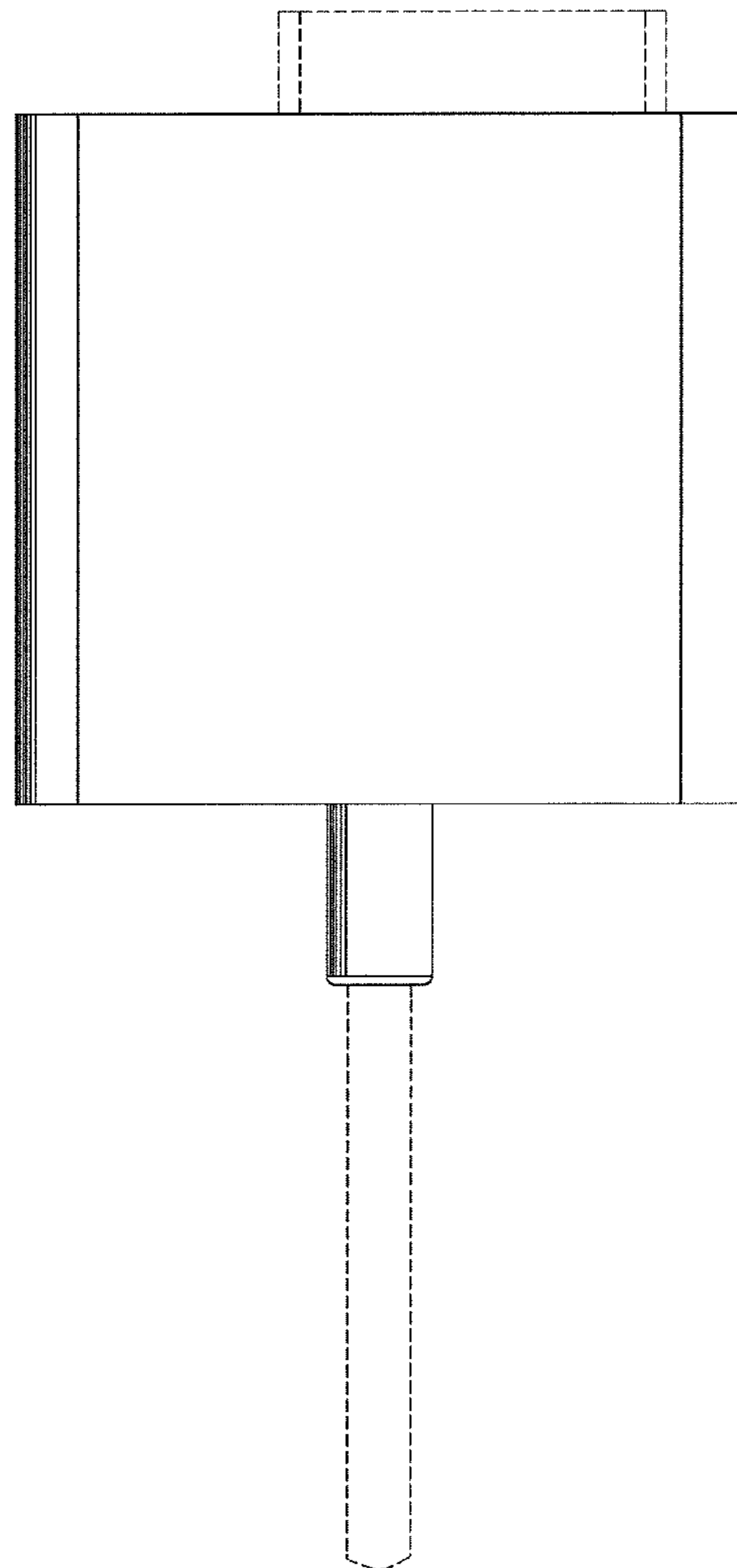


Figure 3

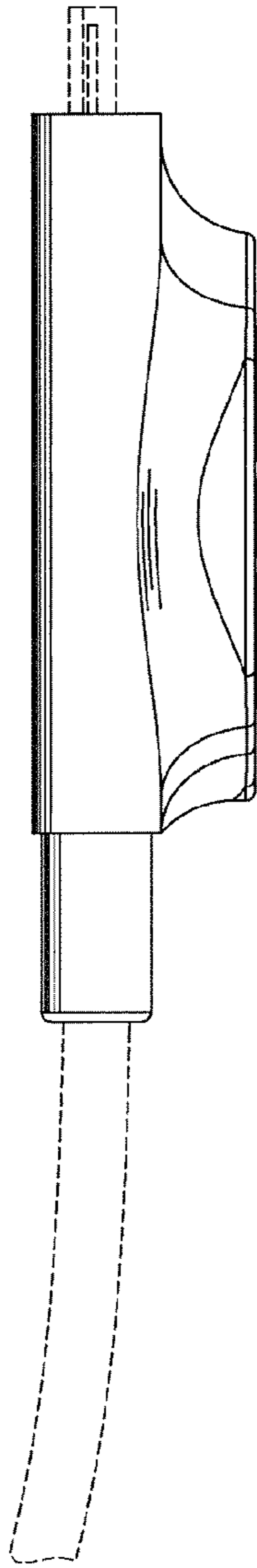


Figure 4

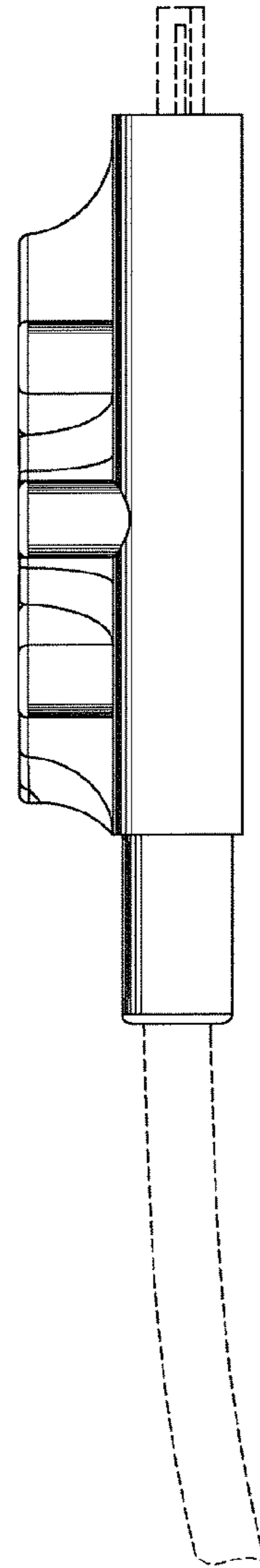


Figure 5

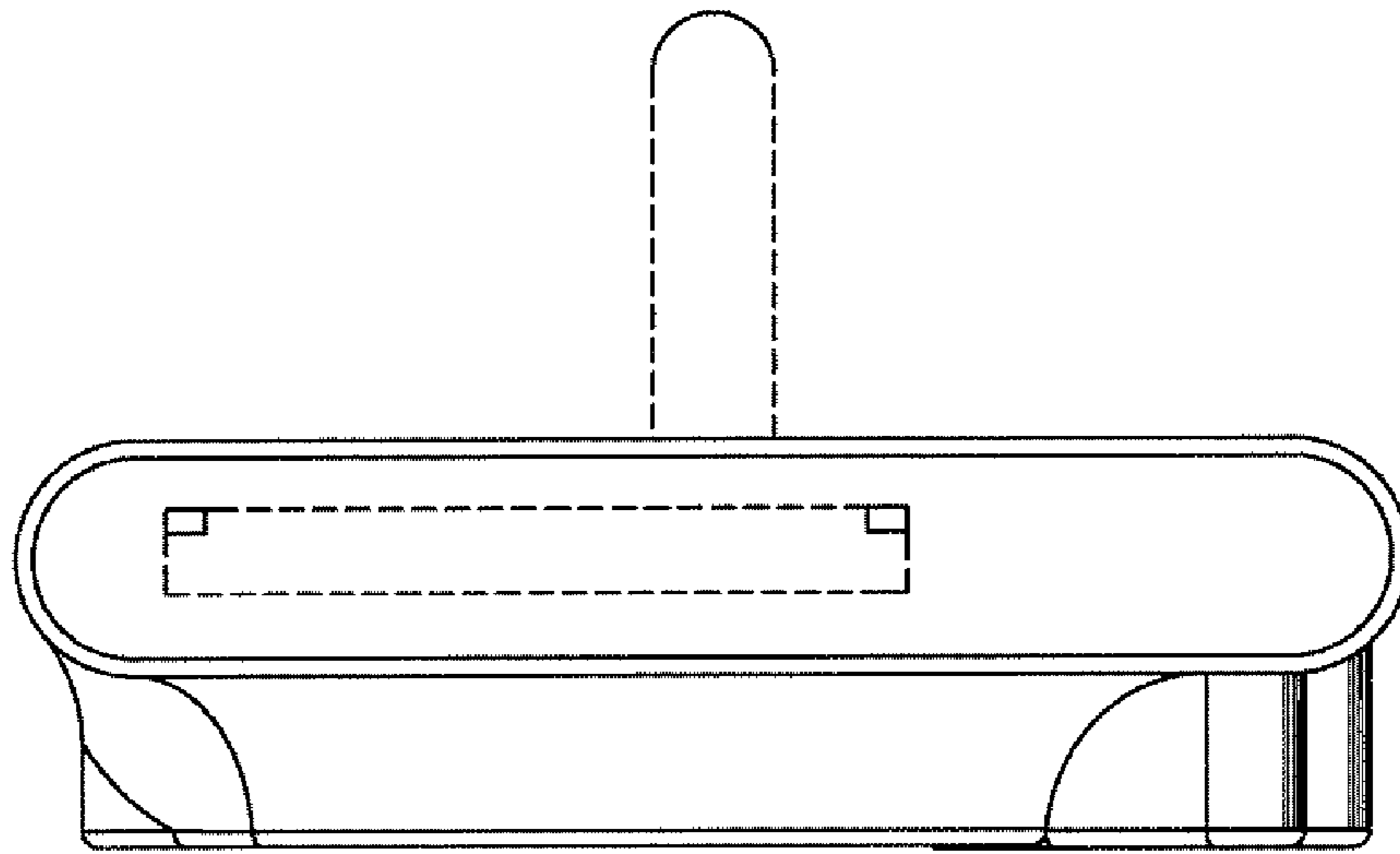


Figure 6

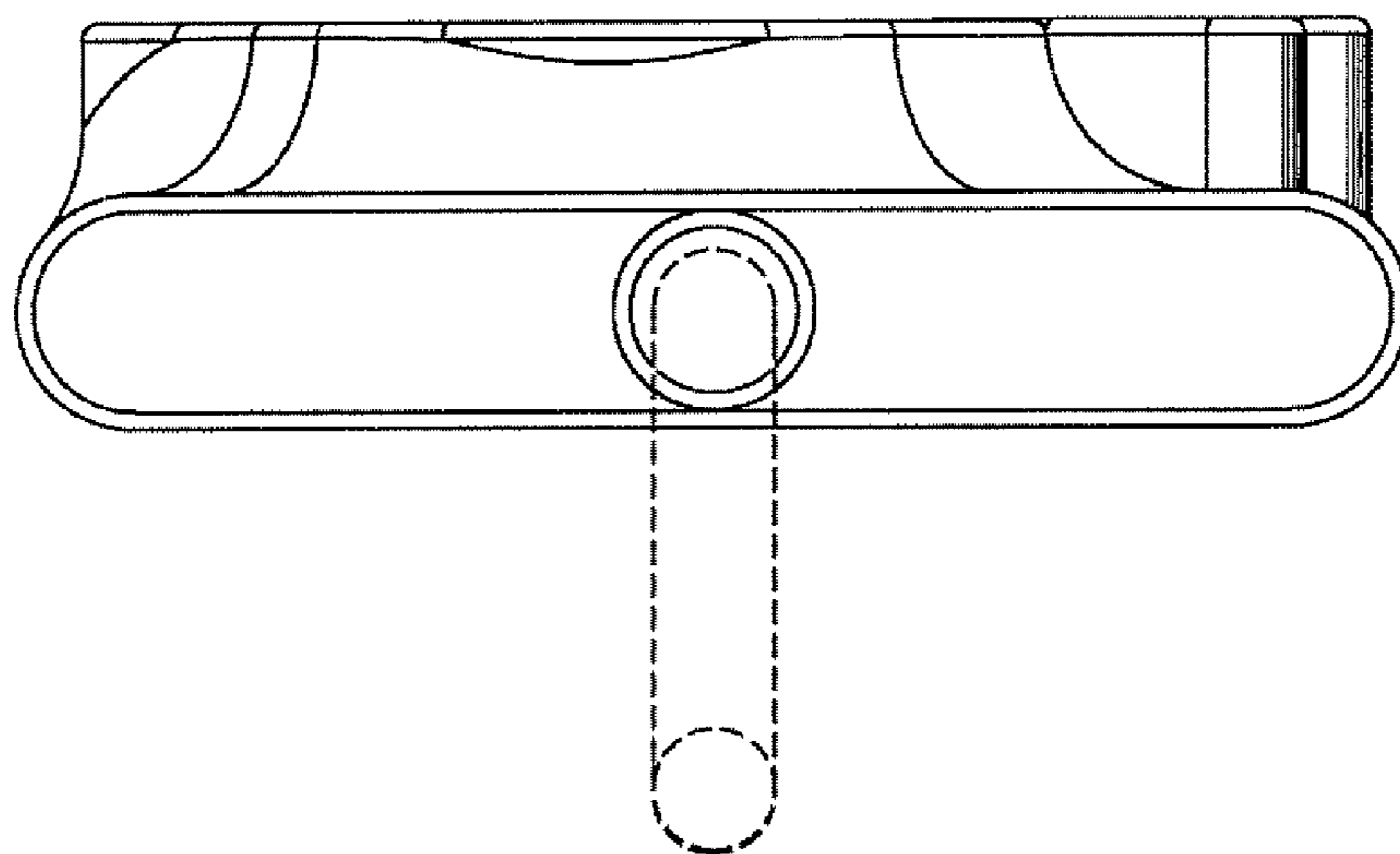


Figure 7