

US00D598886S

(12) **United States Design Patent**
Chon et al.

(10) **Patent No.:** **US D598,886 S**

(45) **Date of Patent:** **** Aug. 25, 2009**

(54) **PORTABLE PHONE**

(75) Inventors: **Alex Chon**, Rancho Dominguez, CA (US); **Wesley Millora**, Cypress, CA (US); **Rudy Widiaman**, Rancho Dominguez, CA (US); **Hyo-Keun Ahn**, Rancho Dominguez, CA (US); **Simon Kang**, Rancho Dominguez, CA (US); **Susanne Chambers**, Rancho Dominguez, CA (US); **Jeff Jones**, Rancho Dominguez, CA (US)

(73) Assignee: **Samsung Electronics Co., Ltd.**, Suwon-Si (KR)

(**) Term: **14 Years**

(21) Appl. No.: **29/328,042**

(22) Filed: **Nov. 18, 2008**

(30) **Foreign Application Priority Data**

Aug. 29, 2008 (KR) 30-2008-0037514

(51) **LOC (9) Cl.** **14-03**

(52) **U.S. Cl.** **D14/138 AB**

(58) **Field of Classification Search** D14/138 AB,
D14/138 R, 496, 203.1-203.7, 341-347;
455/575.3

See application file for complete search history.

(56) **References Cited**

U.S. PATENT DOCUMENTS

D510,733 S *	10/2005	Lee et al.	D14/138 AB
D536,322 S *	2/2007	Kim et al.	D14/138 AB
D555,124 S *	11/2007	Lee	D14/138 AB
D556,718 S *	12/2007	Jung et al.	D14/138 AB
D559,216 S *	1/2008	Sheu	D14/138 AB
D563,349 S *	3/2008	Kim et al.	D14/138 AB
D563,361 S *	3/2008	Moon et al.	D14/138 AB
D564,487 S *	3/2008	Kim et al.	D14/138 AB
D564,489 S *	3/2008	Hong et al.	D14/138 AB
D565,009 S *	3/2008	Kim et al.	D14/138 AB

D569,361 S *	5/2008	Park	D14/138 AB
D569,831 S *	5/2008	Chung et al.	D14/138 AB
D571,338 S *	6/2008	Yoon	D14/138 AB
D571,340 S *	6/2008	Song et al.	D14/138 AB
D571,760 S *	6/2008	Choi et al.	D14/138 AB
D571,764 S *	6/2008	Baik et al.	D14/138 AB
D573,966 S *	7/2008	Park et al.	D14/138 AB
D574,352 S *	8/2008	Cha et al.	D14/138 AB
D578,977 S *	10/2008	Kim et al.	D14/138 R
D579,892 S *	11/2008	Kim et al.	D14/138 R
D580,402 S *	11/2008	Lee et al.	D14/138 AB
D581,896 S *	12/2008	Lee et al.	D14/138 AB
D584,263 S *	1/2009	Chung et al.	D14/138 AB
D584,280 S *	1/2009	Moon et al.	D14/138 AB
D585,042 S *	1/2009	Sung et al.	D14/138 AB
D588,095 S *	3/2009	Tom	D14/138 AB

OTHER PUBLICATIONS

LG KP202 telephone, announced May 2007, [online], [site visited Mar. 17, 2009]. Available from Internet ,<URL: <http://www.gsmarena.com>>.*

(Continued)

Primary Examiner—Jeffrey D Asch

(74) *Attorney, Agent, or Firm*—Staas & Halsey LLP

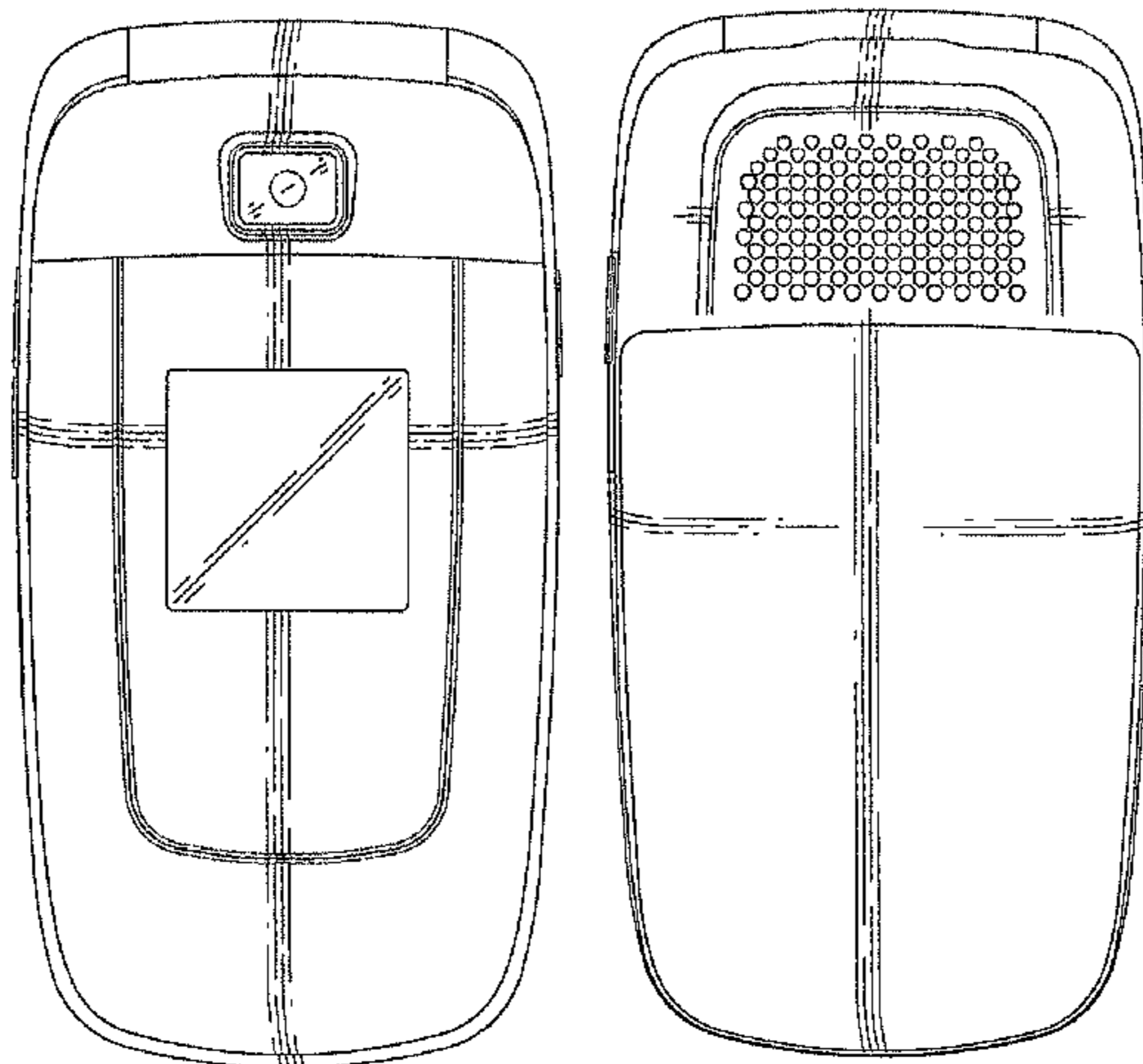
(57) **CLAIM**

The ornamental design for a portable phone, as shown and described.

DESCRIPTION

FIG. 1 is a perspective view of a portable phone;
FIG. 2 is a front view of the portable phone of FIG. 1;
FIG. 3 is a rear view of the portable phone of FIG. 1;
FIG. 4 is a left-side view of the portable phone of FIG. 1;
FIG. 5 is a right-side view of the portable phone of FIG. 1;
FIG. 6 is a top plan view of the portable phone of FIG. 1;
FIG. 7 is a bottom plan view of the portable phone of FIG. 1;
and,
FIG. 8 is a front open view of the portable phone of FIG. 1.

1 Claim, 6 Drawing Sheets



OTHER PUBLICATIONS

Samsung A437 telephone, announced Jul. 2007, [online], [site visited Mar. 17, 2009]. Available from Internet ,<URL: <http://www.gsmarena.com>>.*

Sony Ericsson Z300 telephone, announced Nov. 2005, [online], [site visited Mar. 17, 2009]. Available from Internet ,<URL: <http://www.gsmarena.com>>.*

Sony Ericsson Z310 telephone, announced Dec. 2006, [online], [site visited Mar. 17, 2009]. Available from Internet ,<URL: <http://www.gsmarena.com>>.*

Samsung E380 telephone, announced Jul. 2006, [online], [site visited Mar. 17, 2009]. Available from Internet ,<URL: <http://www.gsmarena.com>>.*

Samsung D730 telephone, announced 1st quarter 2005, [online], [site visited Mar. 17, 2009]. Available from Internet ,<URL: <http://www.gsmarena.com>>.*

BenQ-Siemens CF61 telephone, announced Mar. 2006, [online], [site visited Mar. 17, 2009]. Available from Internet ,<URL: <http://www.gsmarena.com>>.*

* cited by examiner

FIG. 1

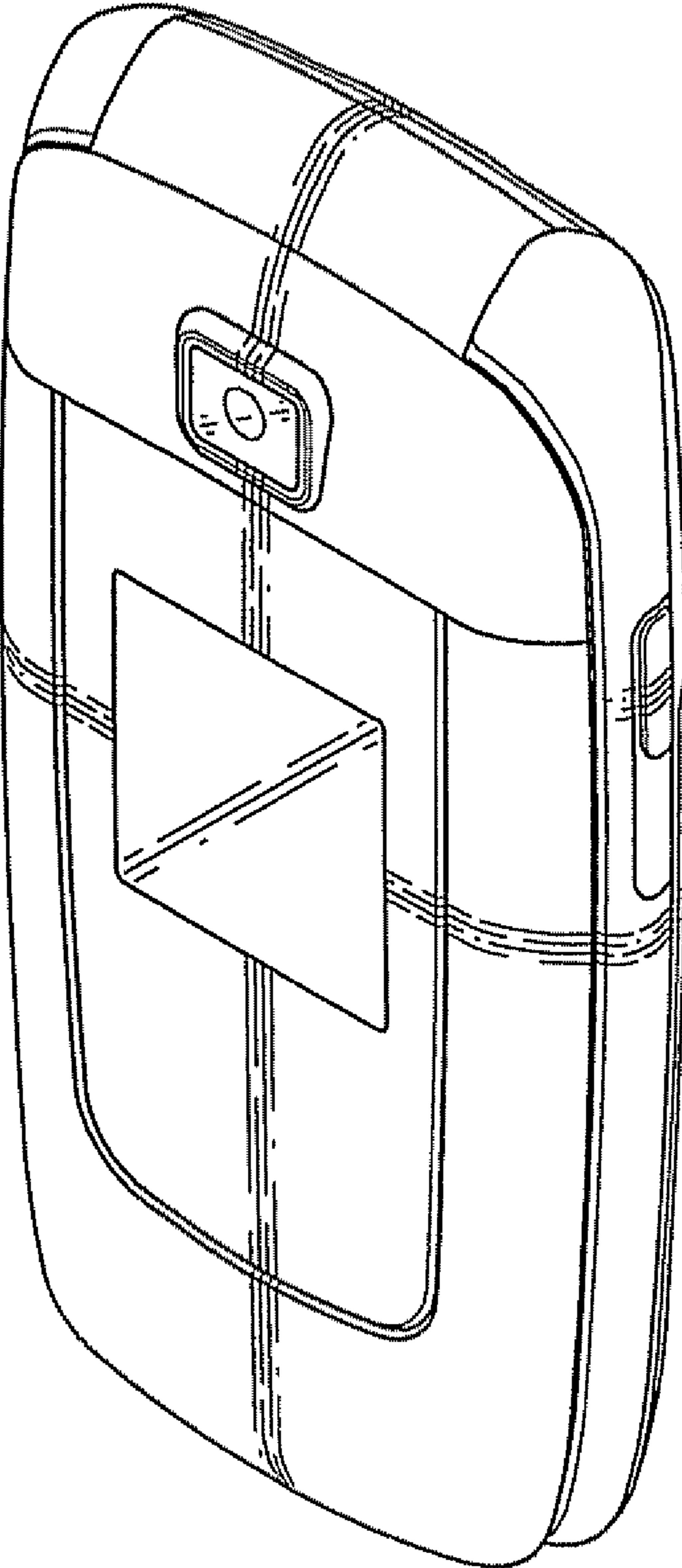


FIG. 2

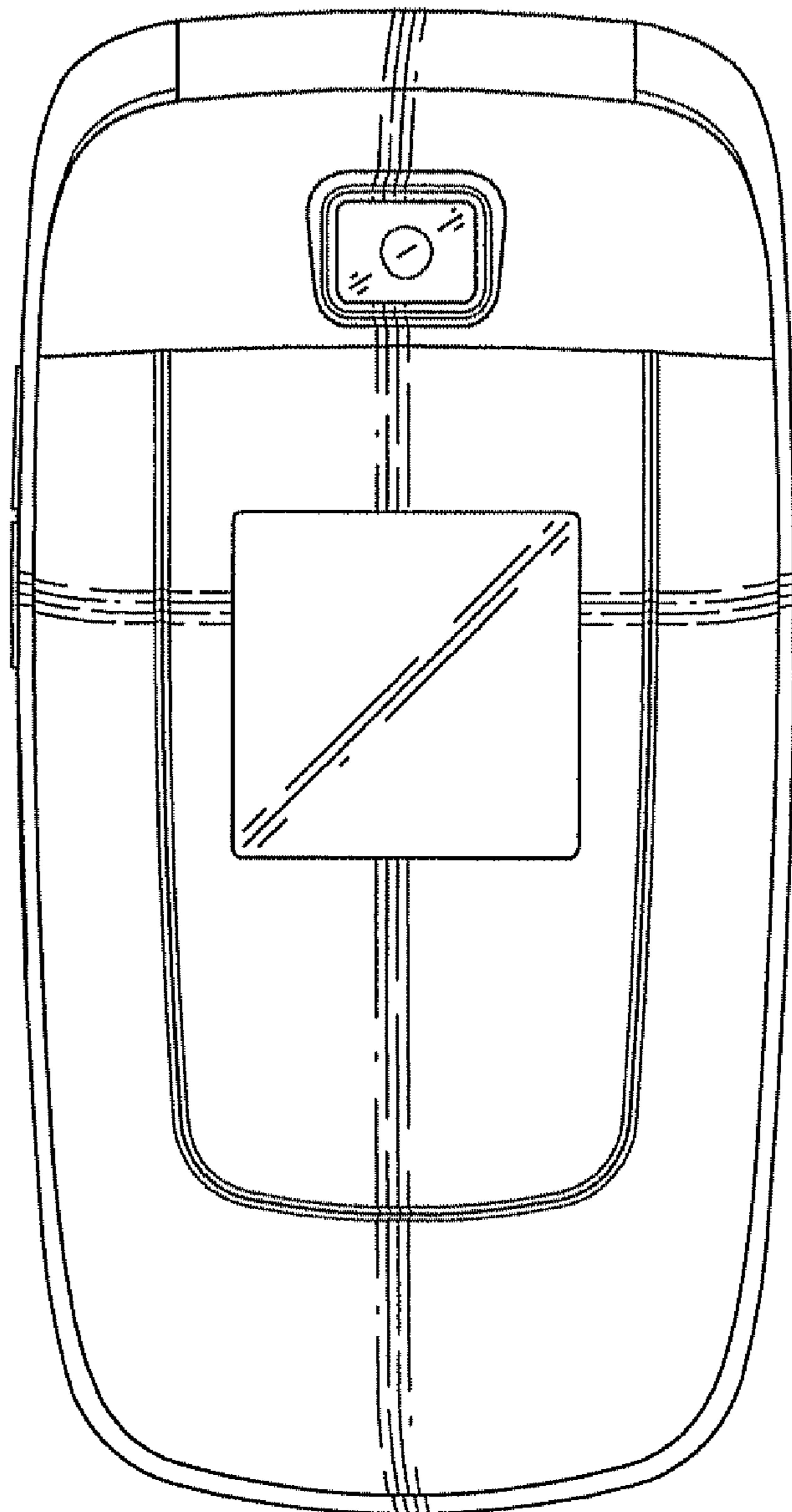


FIG. 3

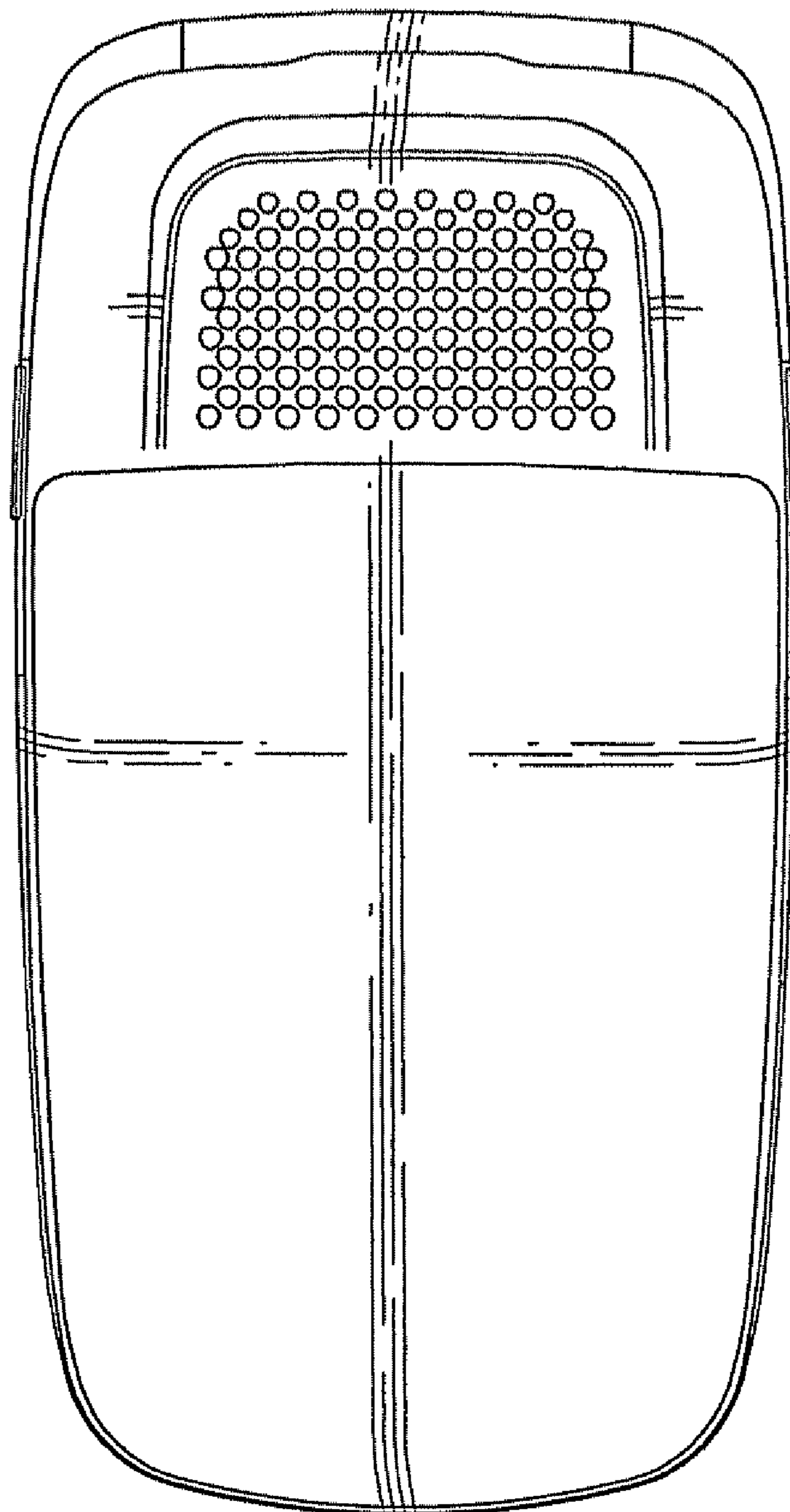


FIG. 4

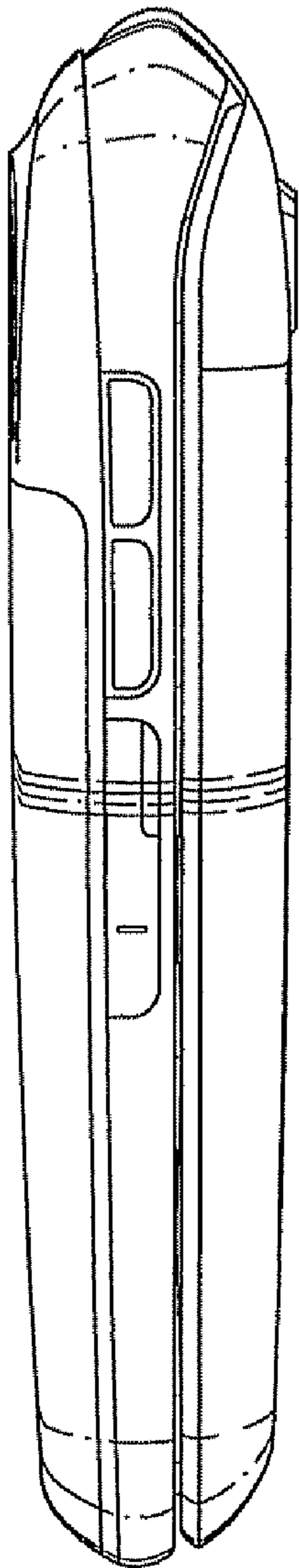


FIG. 5

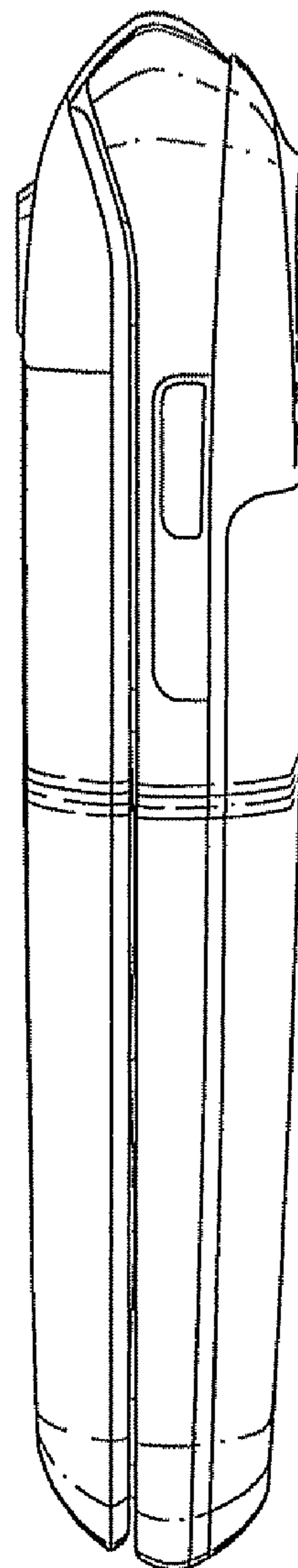


FIG. 6

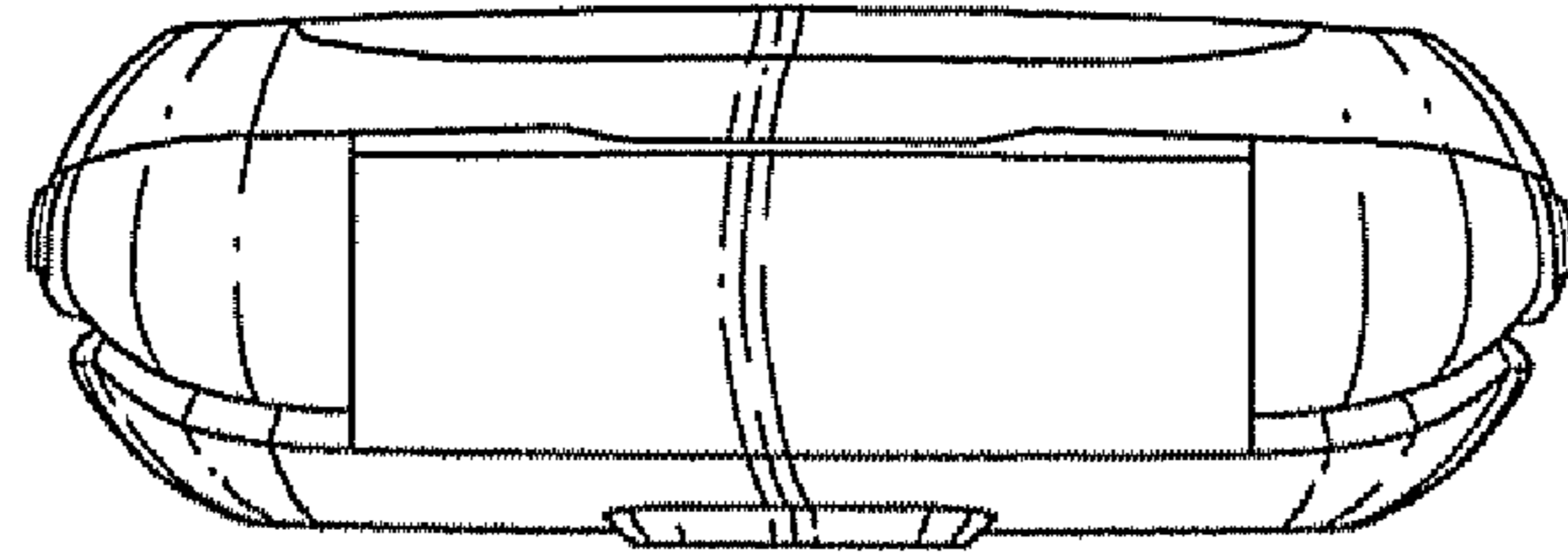


FIG. 7

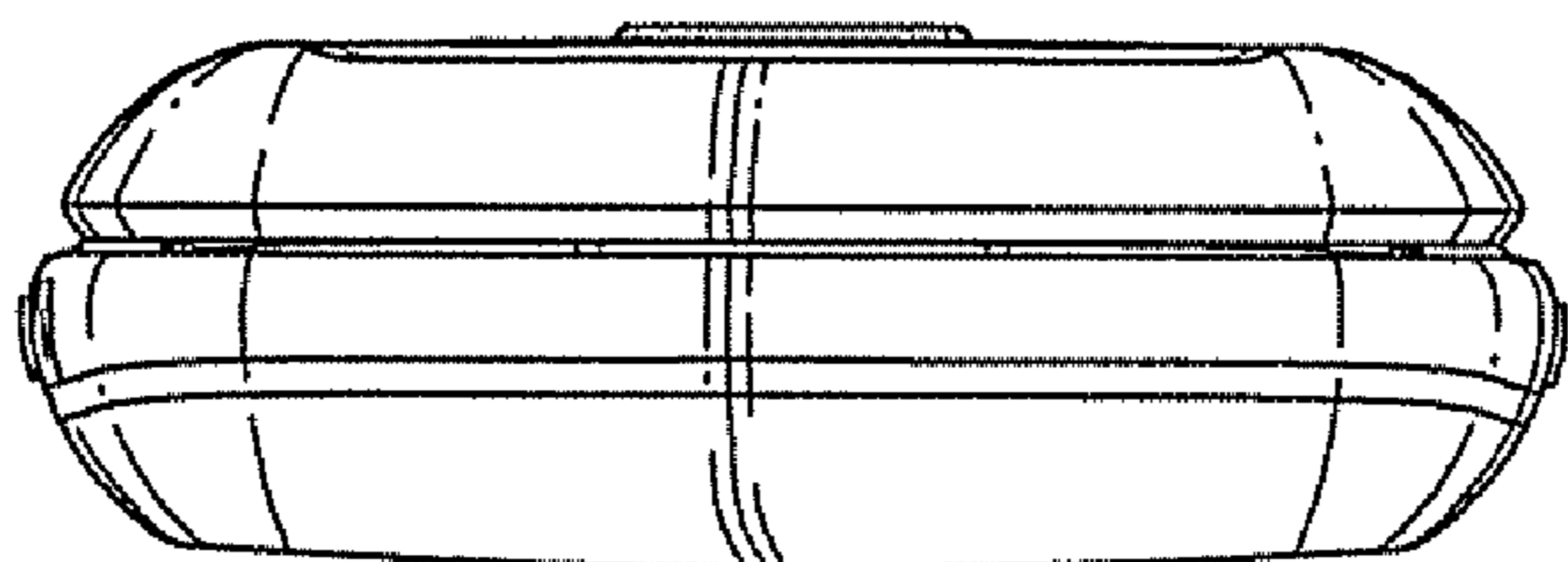


FIG. 8

