



US00D598883S

(12) **United States Design Patent**
Chambers et al.

(10) **Patent No.:** **US D598,883 S**

(45) **Date of Patent:** **** Aug. 25, 2009**

(54) **PORTABLE PHONE**

(75) Inventors: **Susanne Chambers**, Rancho Dominguez, CA (US); **Young-Keun Lee**, Seoul (KR); **Alex Chon**, Rancho Dominguez, CA (US)

(73) Assignee: **Samsung Electronics Co., Ltd.**, Suwon-Si (KR)

(**) Term: **14 Years**

(21) Appl. No.: **29/325,040**

(22) Filed: **Sep. 25, 2008**

(30) **Foreign Application Priority Data**

Aug. 8, 2008 (KR) 30-2008-0034547

(51) **LOC (9) Cl.** **14-03**

(52) **U.S. Cl.** **D14/138 AB**

(58) **Field of Classification Search** D14/138 AB,
D14/138 R, 496, 203.1–203.7, 341–347;
455/575.3

See application file for complete search history.

(56) **References Cited**

U.S. PATENT DOCUMENTS

D510,079 S *	9/2005	Kim et al.	D14/138 AB
D512,038 S *	11/2005	Kim et al.	D14/138 AB
D521,483 S *	5/2006	Kim et al.	D14/138 AB
D542,255 S *	5/2007	Hong et al.	D14/138 AB
D545,798 S *	7/2007	Kimbre	D14/138 AB
D552,577 S *	10/2007	Kim et al.	D14/138 AB
D555,124 S *	11/2007	Lee	D14/138 AB
D556,720 S *	12/2007	Lee	D14/138 AB
D559,216 S *	1/2008	Sheu	D14/138 AB
D564,489 S *	3/2008	Hong et al.	D14/138 AB
D571,338 S *	6/2008	Yoon	D14/138 AB
D571,340 S *	6/2008	Song et al.	D14/138 AB

(Continued)

OTHER PUBLICATIONS

LG KG210 telephone, announced Apr. 2006, [online], [site visited Mar. 17, 2009]. Available from Internet ,<URL: http://www.gsmarena.com>.*

Samsung A117 telephone, announced Jul. 2007, [online], [site visited Mar. 17, 2009]. Available from Internet ,<URL: http://www.gsmarena.com>.*

Pantech G300 telephone, announced 2003, [online], [site visited Mar. 17, 2009]. Available from Internet ,<URL: http://www.gsmarena.com>.*

Alcatel OT-C630 telephone, announced Feb. 2006, [online], [site visited Mar. 17, 2009]. Available from Internet ,<URL: http://www.gsmarena.com>.*

Sagem VS3 telephone, announced 4th quarter 2005, [online], [site visited Mar. 17, 2009]. Available from Internet ,<URL: http://www.gsmarena.com>.*

Samsung E790 telephone, announced Jan. 2007, [online], [site visited Mar. 17, 2009]. Available from Internet ,<URL: http://www.gsmarena.com>.*

Sony Ericsson Z310 telephone, announced Dec. 2006, [online], [site visited Mar. 17, 2009]. Available from Internet ,<URL: http://www.gsmarena.com>.*

Primary Examiner—Jeffrey D Asch

(74) *Attorney, Agent, or Firm*—Staas & Halsey LLP

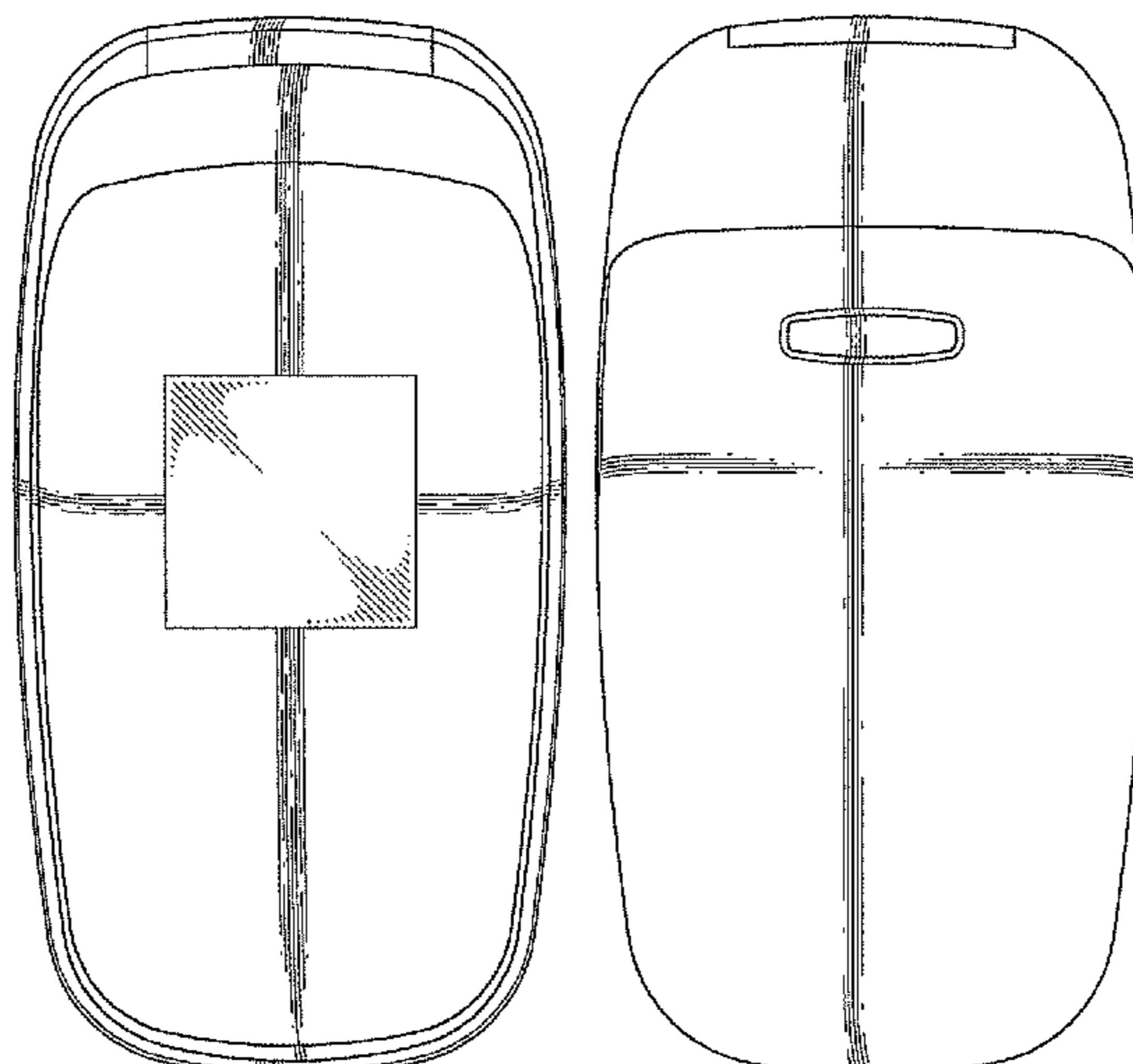
(57) **CLAIM**

The ornamental design for a portable phone, as shown and described.

DESCRIPTION

FIG. 1 is a perspective view of a portable phone;
FIG. 2 is a front view of the portable phone of FIG. 1;
FIG. 3 is a rear view of the portable phone of FIG. 1;
FIG. 4 is a left-side view of the portable phone of FIG. 1;
FIG. 5 is a right-side view of the portable phone of FIG. 1;
FIG. 6 is a top plan view of the portable phone of FIG. 1;
FIG. 7 is a bottom plan view of the portable phone of FIG. 1;
and,
FIG. 8 is a front open view of the portable phone of FIG. 1.

1 Claim, 6 Drawing Sheets



US D598,883 S

Page 2

U.S. PATENT DOCUMENTS

D571,343 S *	6/2008	Cha et al.	D14/138 AB	D582,871 S *	12/2008	Chung et al.	D14/138 R
D571,771 S *	6/2008	Kim et al.	D14/138 AB	D582,879 S *	12/2008	Chung et al.	D14/138 R
D574,352 S *	8/2008	Cha et al.	D14/138 AB	D582,881 S *	12/2008	Son et al.	D14/138 AB
D574,804 S *	8/2008	Kim et al.	D14/138 AB	D585,042 S *	1/2009	Sung et al.	D14/138 AB
D578,093 S *	10/2008	Park et al.	D14/138 AB	D586,324 S *	2/2009	Lee et al.	D14/138 AB
D578,978 S *	10/2008	Kim et al.	D14/138 R	D588,572 S *	3/2009	Park et al.	D14/138 AB
D578,982 S *	10/2008	Jeong et al.	D14/138 R	2006/0079302 A1 *	4/2006	Kota et al.	455/575.3

* cited by examiner

FIG. 1

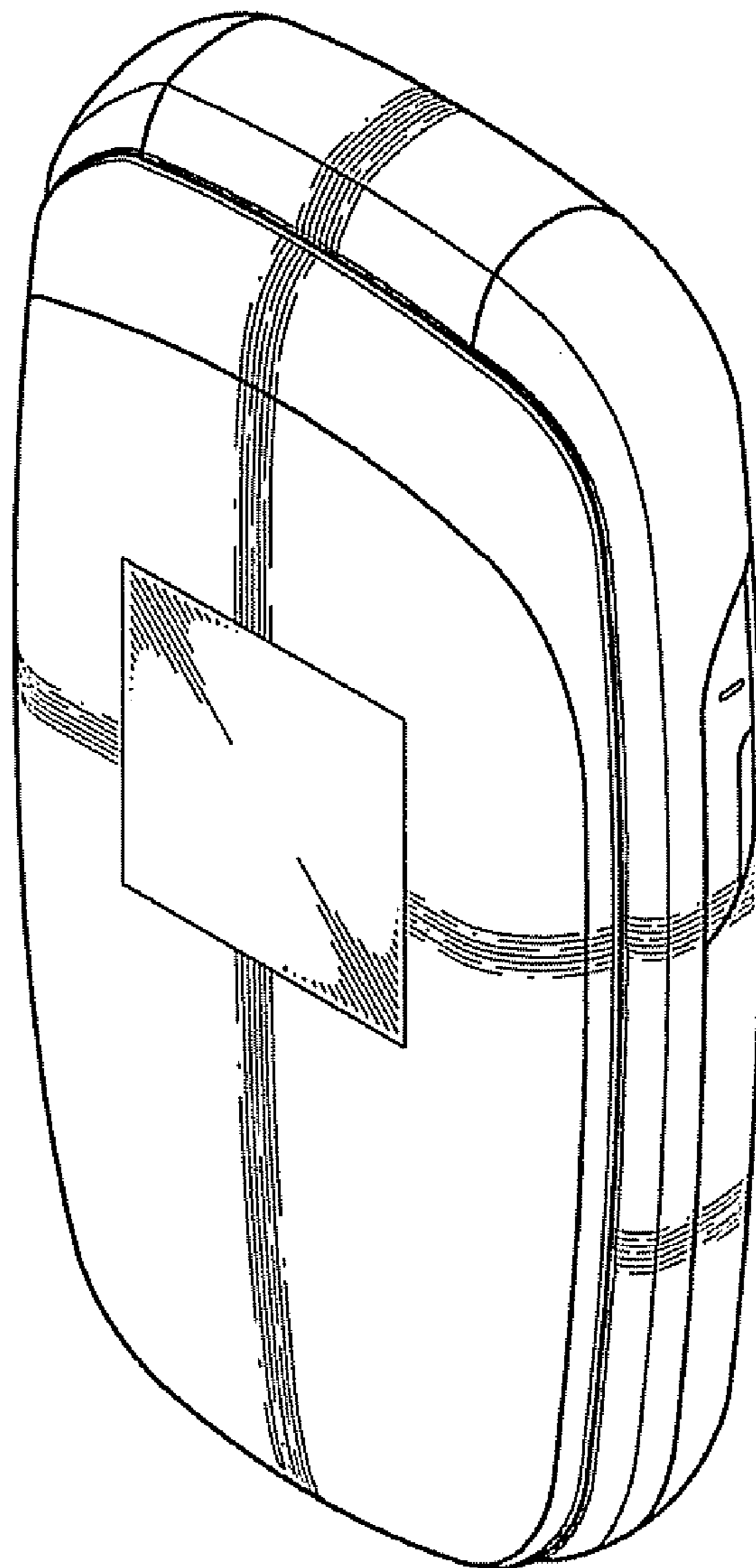


FIG. 2

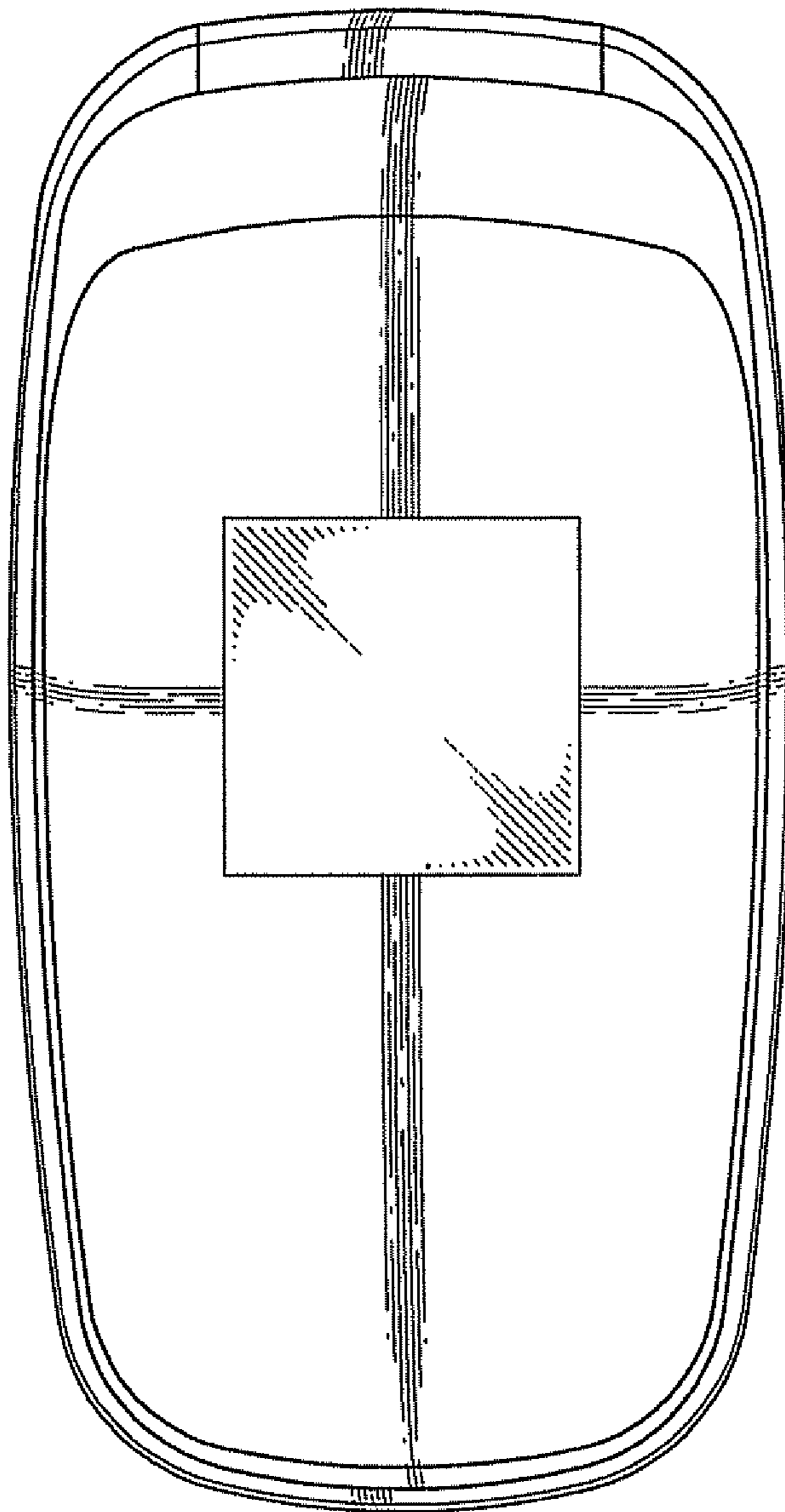


FIG. 3

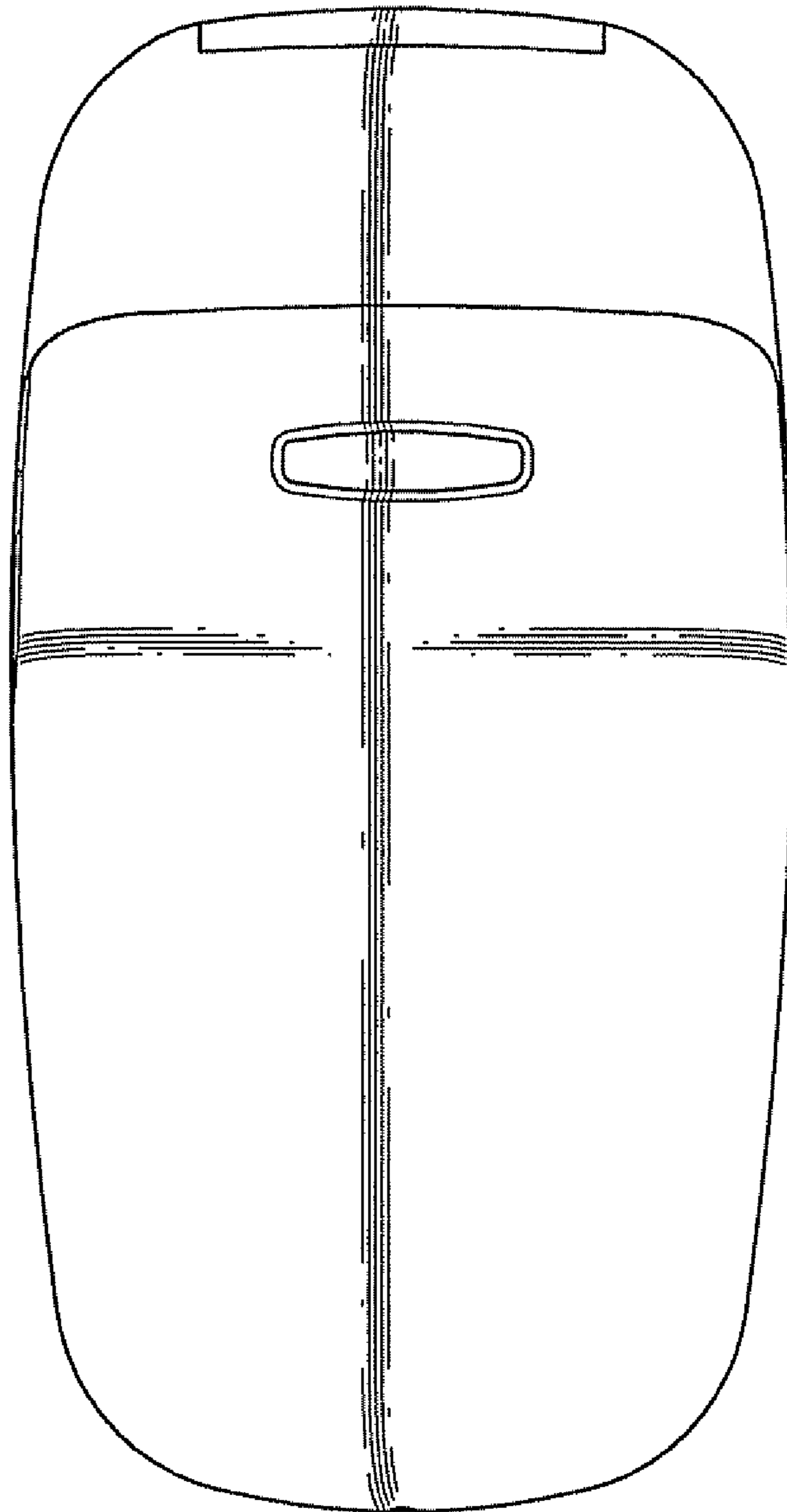


FIG. 4

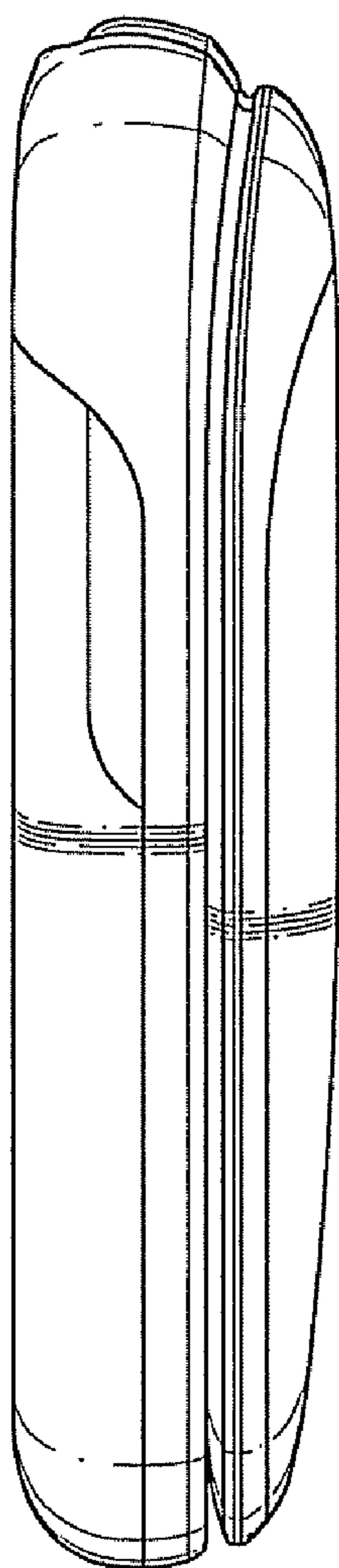


FIG. 5

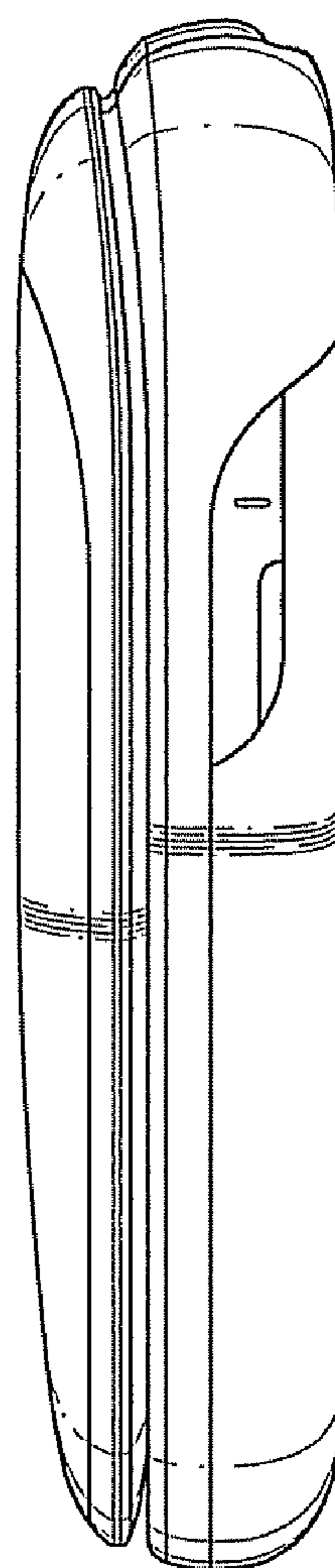


FIG. 6

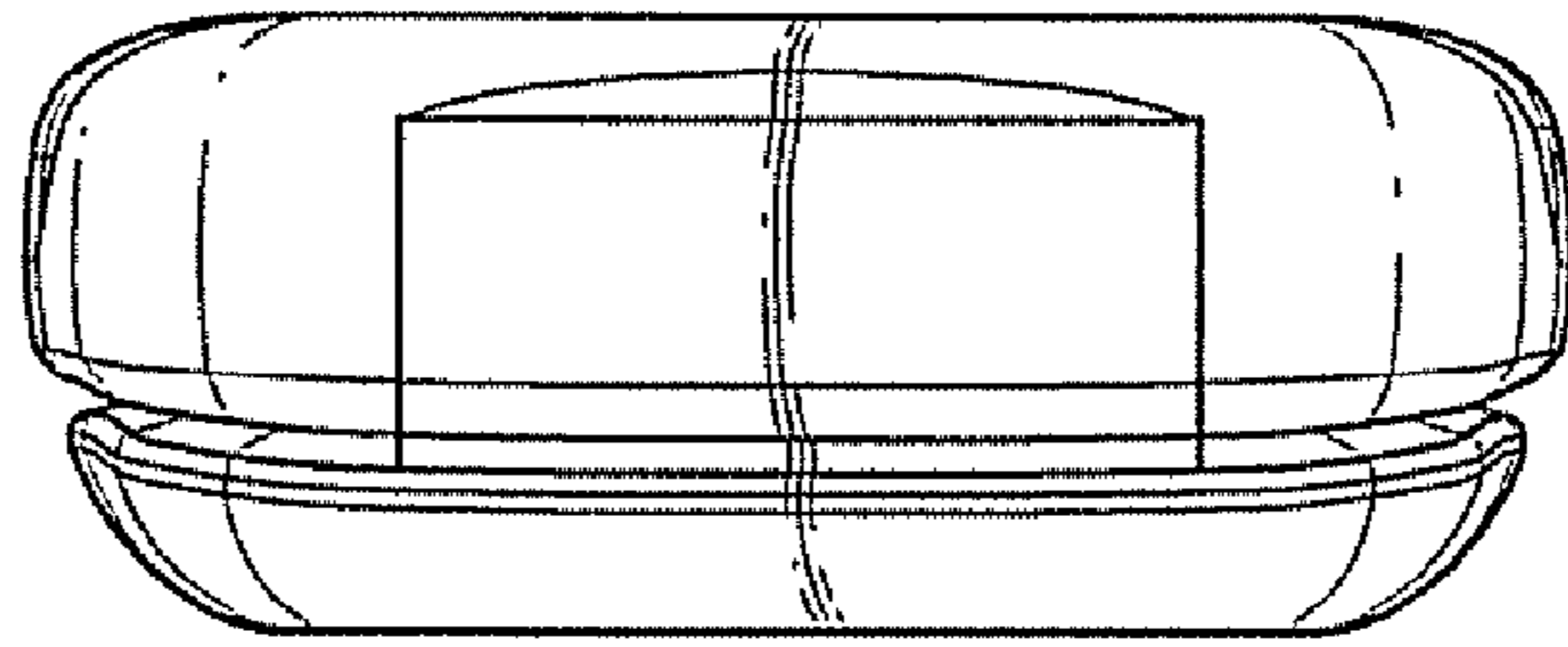


FIG. 7

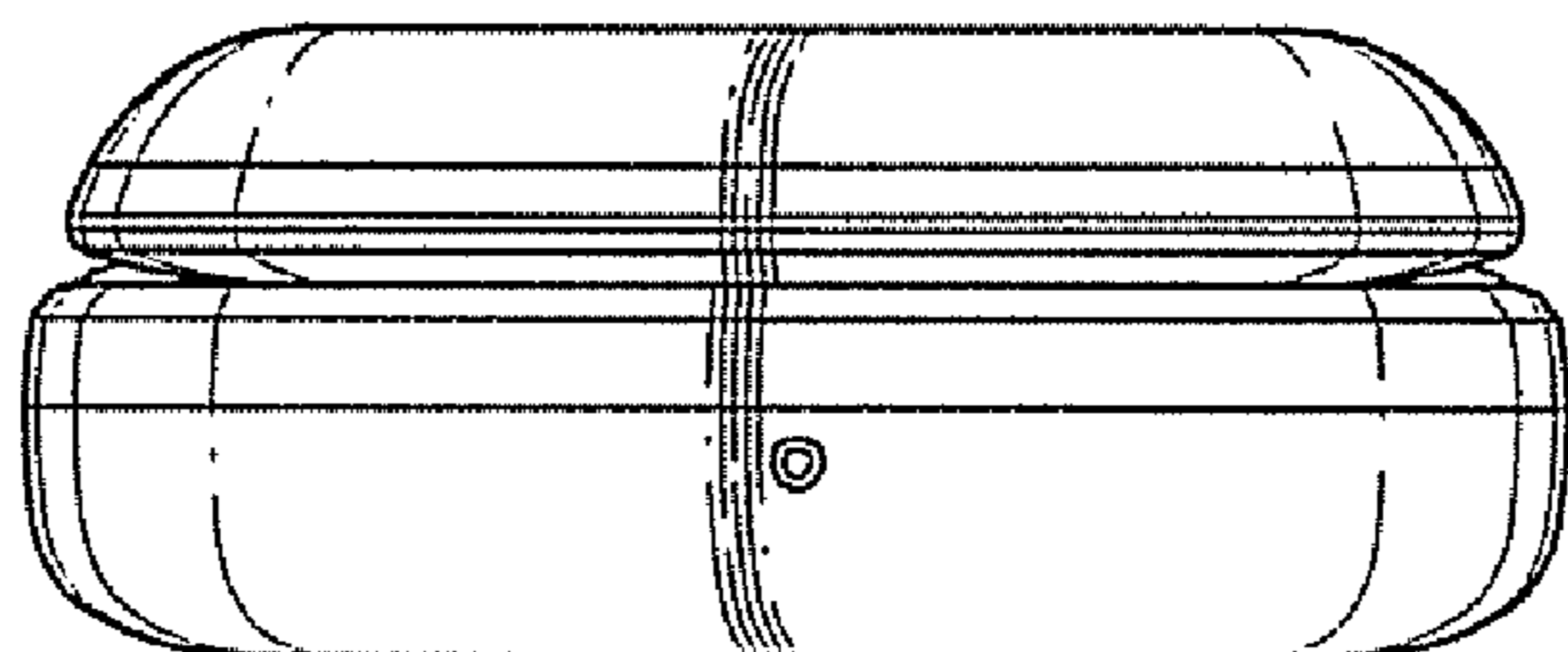


FIG. 8

