



US00D598877S

(12) **United States Design Patent**  
**Griffin et al.**

(10) **Patent No.:** **US D598,877 S**

(45) **Date of Patent:** **\*\* \*Aug. 25, 2009**

(54) **HANDHELD ELECTRONIC DEVICE**

(75) Inventors: **Jason T. Griffin**, Kitchener (CA);  
**Cortez Corley**, Waterloo (CA); **Norman M. Ladouceur**, Waterloo (CA)

(73) Assignee: **Research In Motion Limited**, Waterloo, Ontario (CA)

(\*) Notice: This patent is subject to a terminal disclaimer.

(\*\*) Term: **14 Years**

(21) Appl. No.: **29/246,226**

(22) Filed: **Mar. 24, 2006**

(51) **LOC (9) Cl.** ..... **14-03**

(52) **U.S. Cl.** ..... **D14/138 AD**

(58) **Field of Classification Search** ..... D14/137,  
D14/138, 147, 218, 247–248, 341–347, 496,  
D14/191; 455/90.3, 556.1, 556.2, 575.1,  
455/575.3, 575.4, 566; 379/433.01–433.13;  
361/814; 348/14.02; D10/65, 78, 104; D13/168;  
D18/7; 345/169

See application file for complete search history.

(56) **References Cited**

U.S. PATENT DOCUMENTS

D460,448	S	*	7/2002	Matsumoto	.....	D14/346
D477,597	S	*	7/2003	Laverick et al.	.....	D14/346
D493,156	S	*	7/2004	Hamann et al.	.....	D14/138
D495,695	S	*	9/2004	Yugaya	.....	D14/346
D498,754	S	*	11/2004	Blyth	.....	D14/341
D503,171	S	*	3/2005	Park et al.	.....	D14/346
D519,116	S	*	4/2006	Tanaka et al.	.....	D14/341
D519,998	S	*	5/2006	Park	.....	D14/346
D525,608	S	*	7/2006	Ryu	.....	D14/138
D526,300	S	*	8/2006	Lee	.....	D14/138 AD
D526,986	S	*	8/2006	Kim	.....	D14/138
D527,000	S	*	8/2006	Hong et al.	.....	D14/346
D530,299	S	*	10/2006	Lee	.....	D14/138
D531,609	S	*	11/2006	Kim et al.	.....	D14/138
D532,766	S	*	11/2006	Lee	.....	D14/138

D533,532	S	*	12/2006	Kim et al.	.....	D14/138 AC
D539,772	S	*	4/2007	Park et al.	.....	D14/138
D539,773	S	*	4/2007	Kim et al.	.....	D14/138

(Continued)

OTHER PUBLICATIONS

Eten M500, announced 4<sup>th</sup> quarter 2004, [online], [retrieved on Feb. 20, 2007]. Retrieved from Internet ,<URL: <http://www.gsmarena.com>>.\*

InnoStream INNO 55, announced 2<sup>nd</sup> quarter 2004, [online], [retrieved on Feb. 20, 2007]. Retrieved from Internet ,<URL: <http://www.gsmarena.com>>.\*

(Continued)

*Primary Examiner*—Jeffrey D Asch

*Assistant Examiner*—Bridget L Eland

(74) *Attorney, Agent, or Firm*—Novak Druce + Quigg LLP

(57) **CLAIM**

We claim the ornamental design for a handheld electronic device, as shown and described.

**DESCRIPTION**

FIG. 1 is a front perspective view of a handheld electronic device;

FIG. 2 is a rear perspective view thereof;

FIG. 3 is a front elevational view thereof;

FIG. 4 is a right elevational view thereof;

FIG. 5 is a left elevational view thereof;

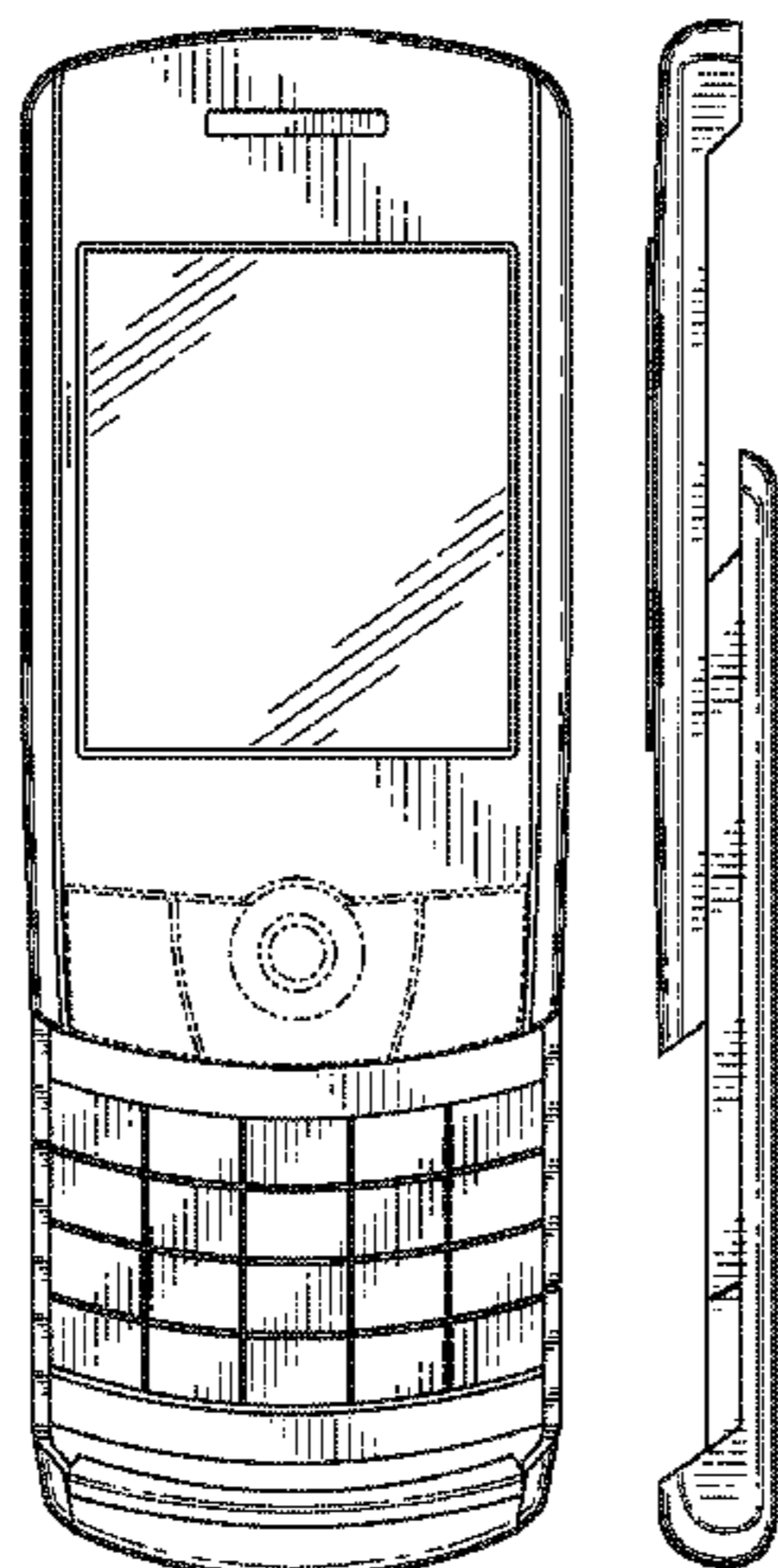
FIG. 6 is a top plan view thereof;

FIG. 7 is bottom plan view thereof; and,

FIG. 8 is a rear elevational view thereof.

The broken lines shown in FIGS. 1–8, that are immediately adjacent the shaded areas and encompass non-shaded regions represent the bounds of the claimed design, while all other broken lines are directed to environment and are for illustrative purposes only; the broken lines form no part of the claimed design.

**1 Claim, 6 Drawing Sheets**



U.S. PATENT DOCUMENTS

D541,782 S \* 5/2007 Kim et al. .... D14/138  
 D542,762 S \* 5/2007 Kim et al. .... D14/138  
 D547,296 S \* 7/2007 Lin ..... D14/138  
 7,239,897 B2 \* 7/2007 Ozaki ..... 455/575.1  
 D550,192 S \* 9/2007 Kim et al. .... D14/138 AD  
 D555,128 S \* 11/2007 Jen ..... D14/138 AD  
 D557,671 S \* 12/2007 Kim et al. .... D14/138 AD  
 D560,188 S \* 1/2008 Lee et al. .... D14/138 AD  
 D560,193 S \* 1/2008 Sung et al. .... D14/138 AD  
 D562,288 S \* 2/2008 Suk et al. .... D14/138 AD  
 2003/0064688 A1 \* 4/2003 Mizuta et al. .... 455/90  
 2004/0204202 A1 \* 10/2004 Shimamura et al. .... 455/575.1  
 2005/0124394 A1 \* 6/2005 Kim et al. .... 455/575.3  
 2006/0154619 A1 \* 7/2006 Bae et al. .... 455/90.3  
 2006/0205450 A1 \* 9/2006 Amano et al. .... 455/575.4

2007/0021160 A1 \* 1/2007 Li ..... 455/575.4  
 2007/0091582 A1 \* 4/2007 Ku et al. .... 361/814  
 2008/0032637 A1 \* 2/2008 Ladouceur et al. .... 455/90.3

OTHER PUBLICATIONS

Gigabyte g-Smart, announced 2005, [online], [retrieved on Feb. 20, 2007]. Retrieved from Internet ,<URL: <http://www.gsmarena.com>>.\*

Eten M550, announced Apr. 2006, [online], [retrieved on Feb. 20, 2007]. Retrieved from Internet ,<URL: <http://www.gsmarena.com>>.\*

VK Mobile VK610, announced 3<sup>rd</sup> quarter 2004, [online], [retrieved on Feb. 20, 2007]. Retrieved from Internet ,<URL: <http://www.gsmarena.com>>.\*

\* cited by examiner

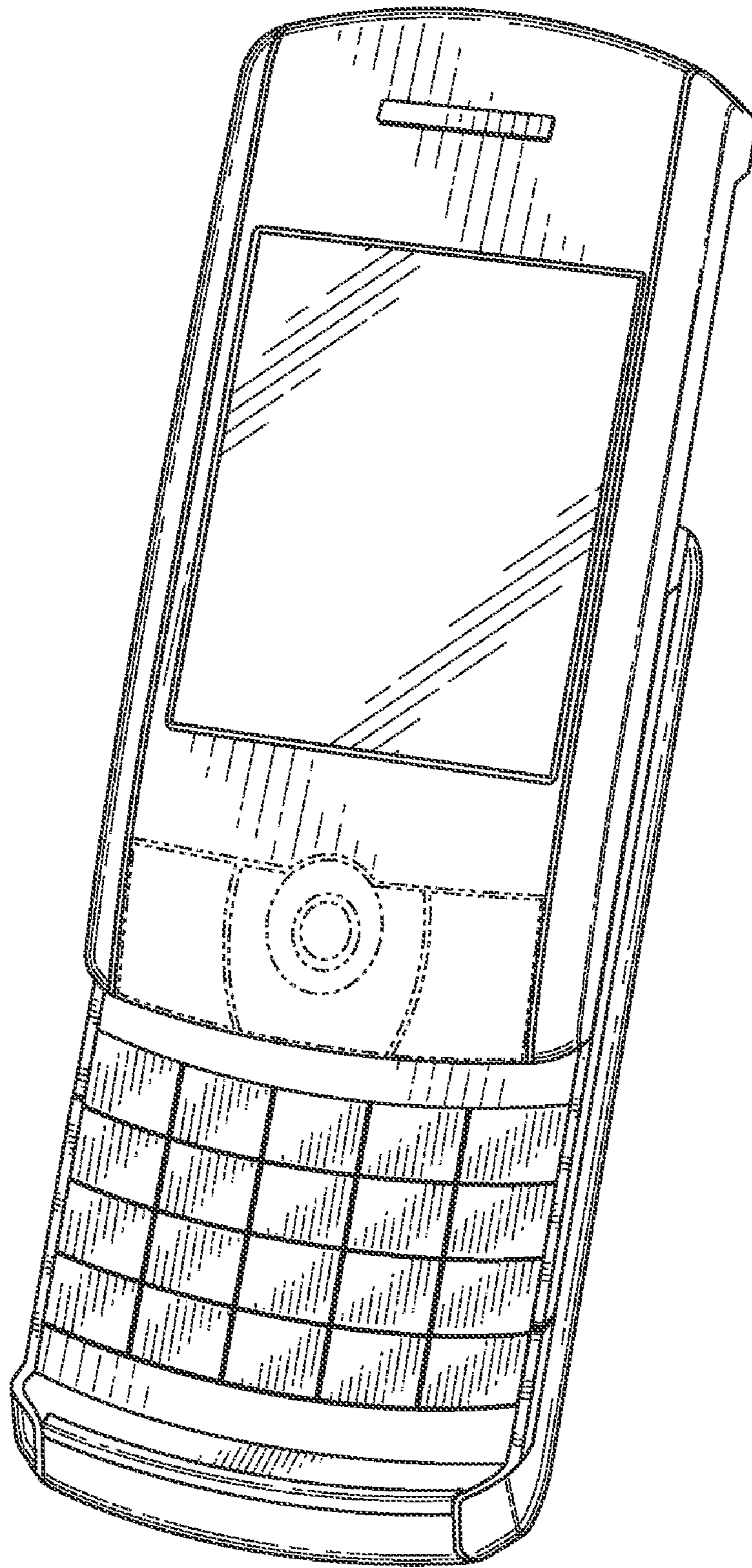


FIG. 1

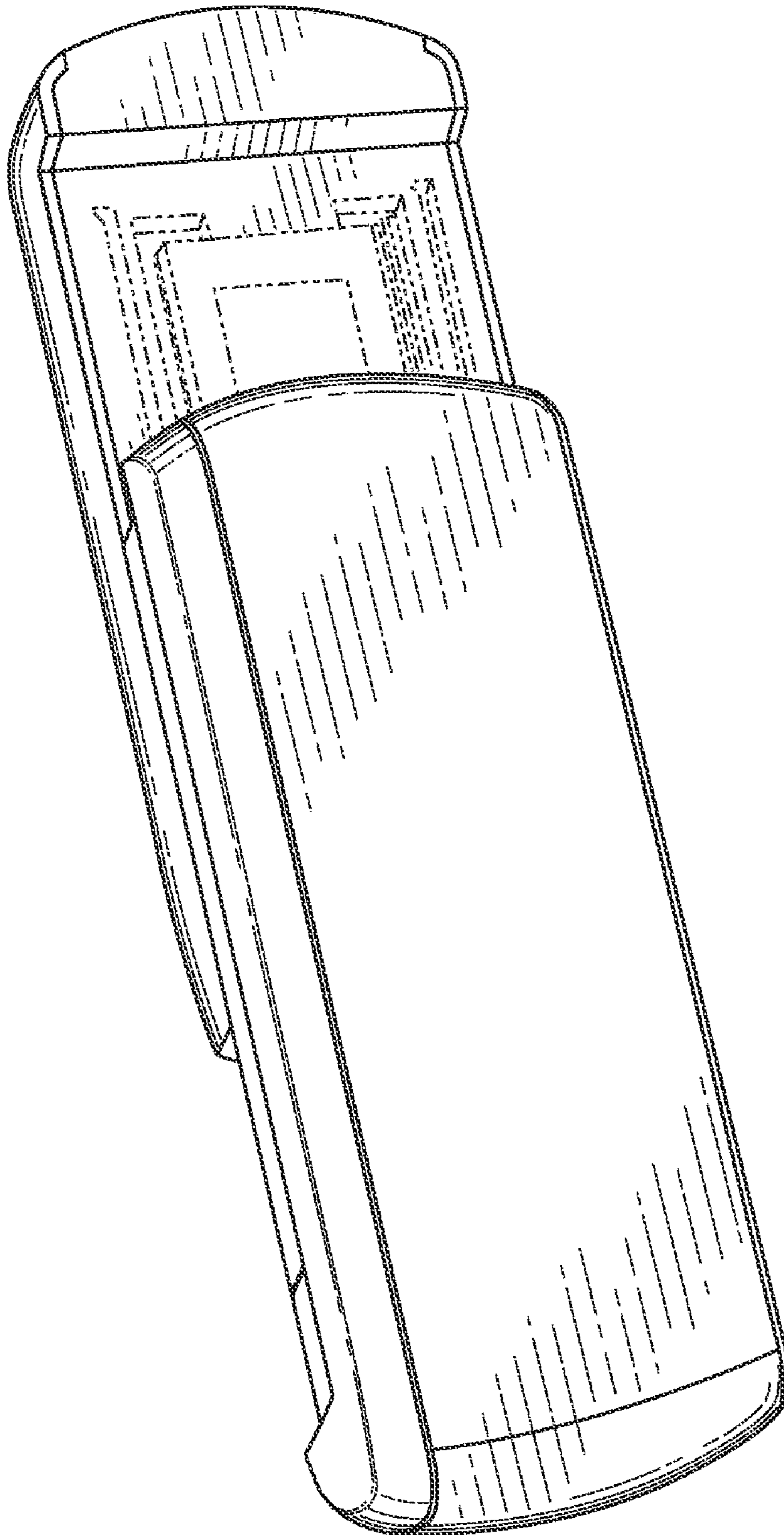


FIG. 2

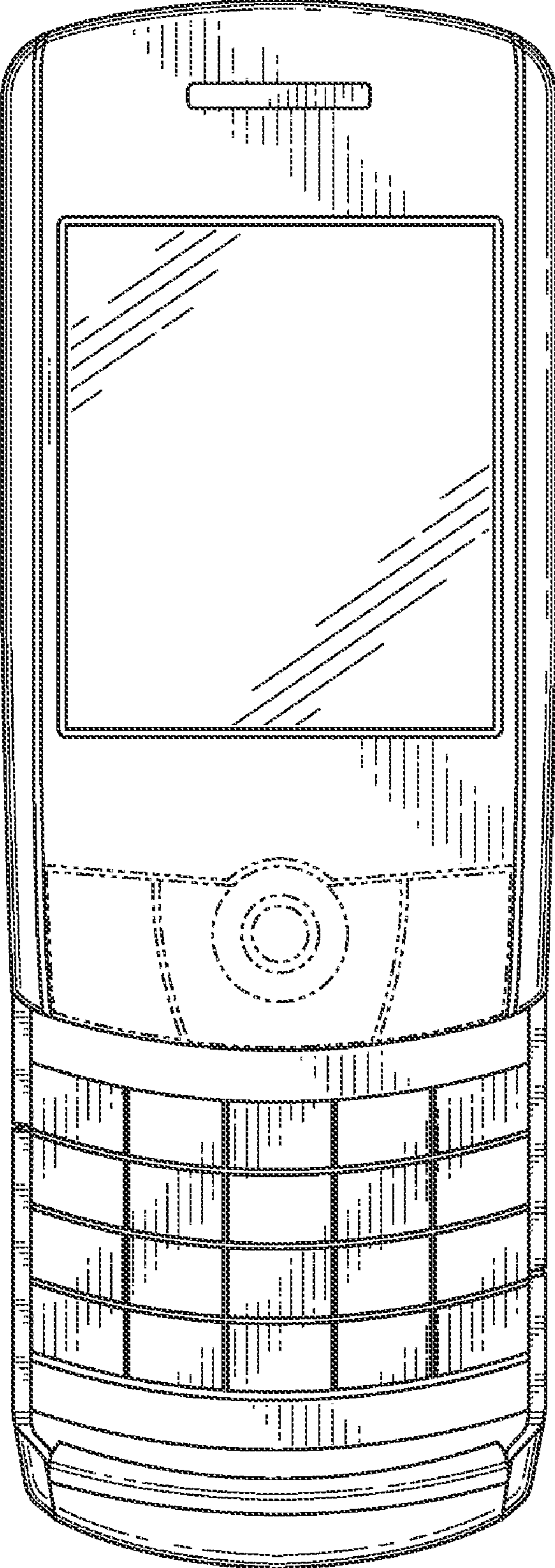


FIG. 3

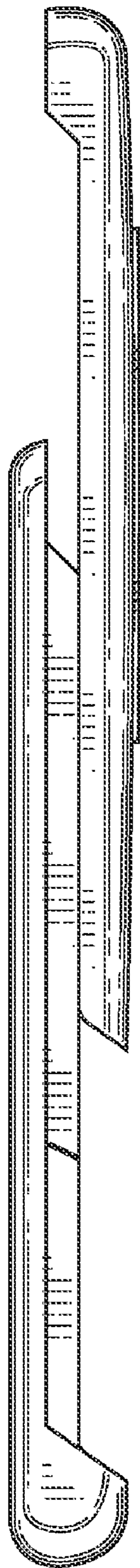


FIG. 4



FIG. 5

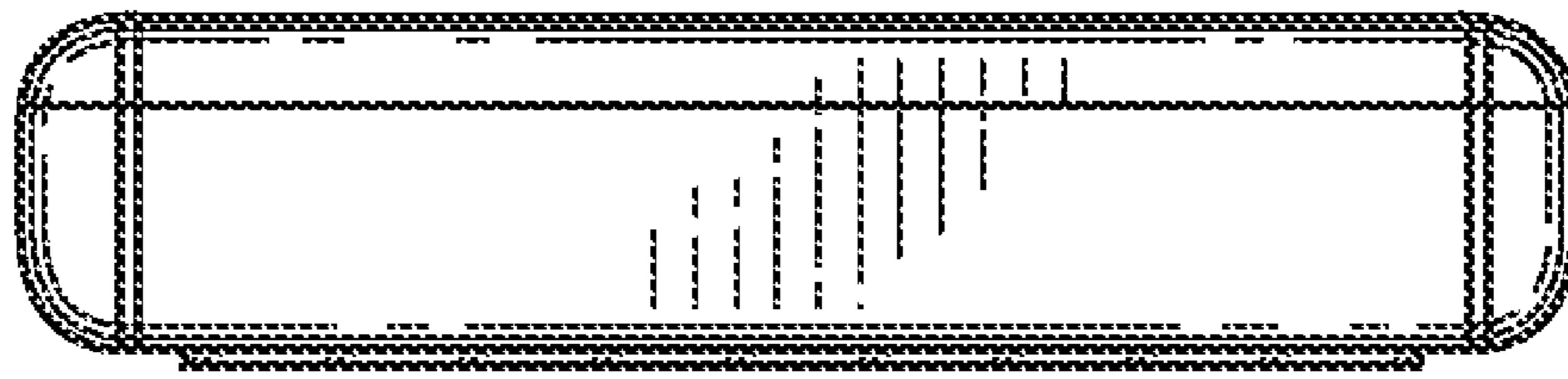


FIG. 6

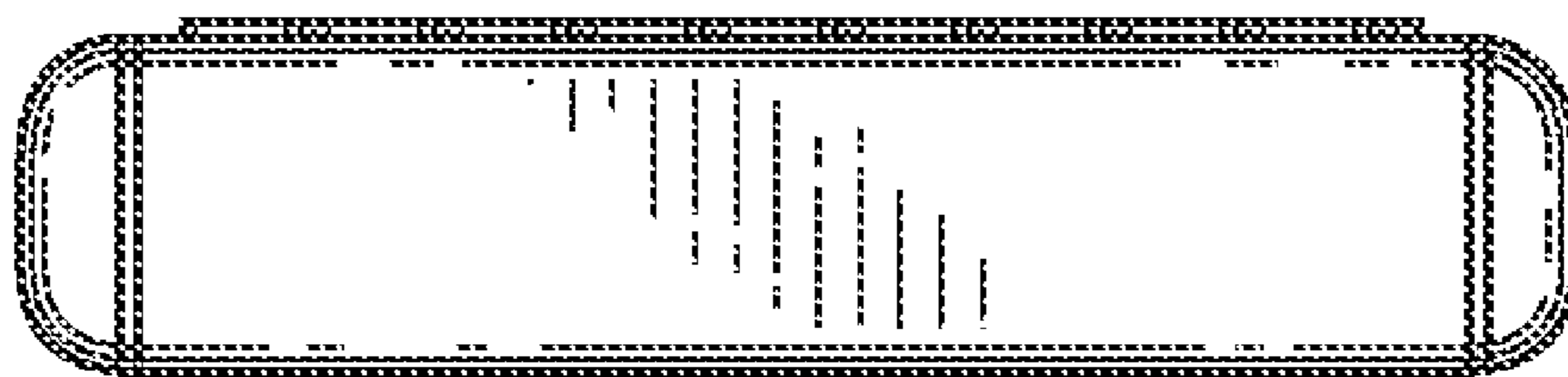


FIG. 7

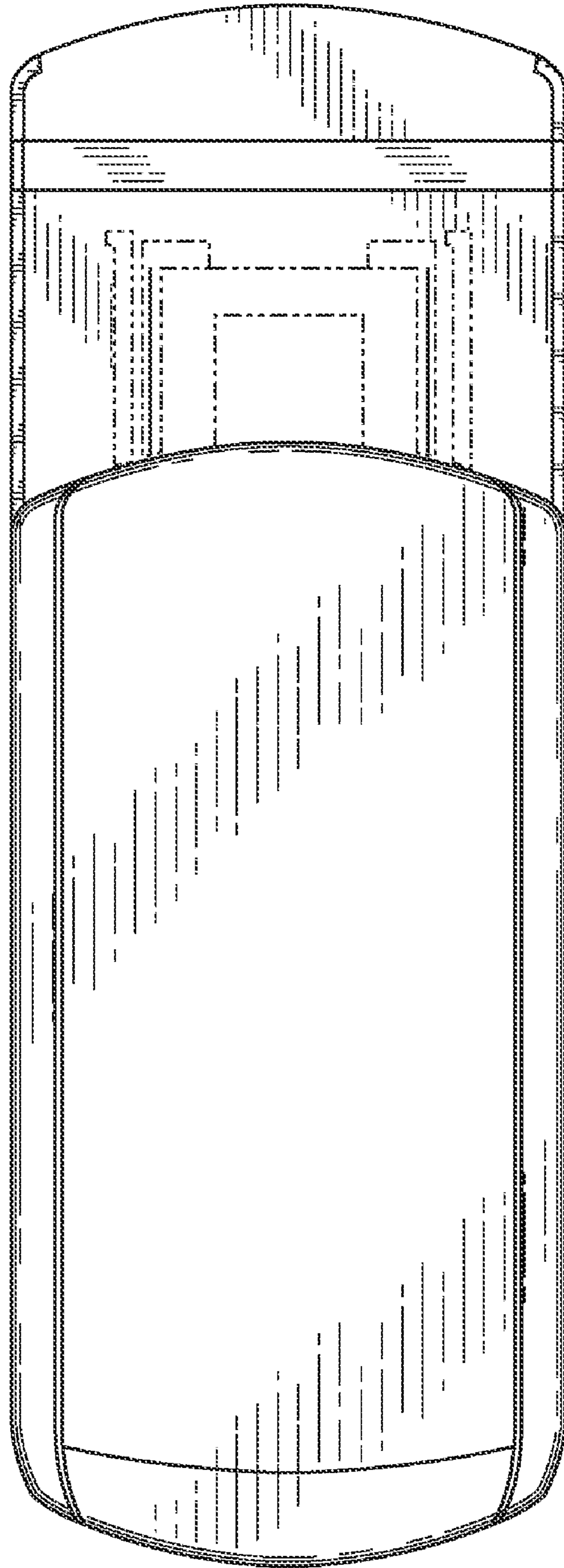


FIG. 8