



US00D598874S

(12) **United States Design Patent**  
**Lin et al.**

(10) **Patent No.:** **US D598,874 S**  
(45) **Date of Patent:** **\*\* Aug. 25, 2009**

(54) **LCD TV**

(75) Inventors: **Ming-Sung Lin**, Taipei (TW); **Jui-Ming Wang**, Taipei (TW)

(73) Assignee: **Hannstar Display Corporation**, Taipei (TW)

(\*\*) Term: **14 Years**

(21) Appl. No.: **29/311,237**

(22) Filed: **Jan. 27, 2009**

(51) **LOC (9) Cl.** ..... **14-03**

(52) **U.S. Cl.** ..... **D14/126**

(58) **Field of Classification Search** ..... D14/125-134,  
D14/239, 371, 136, 374-377, 440, 450, 448,  
D14/336, 342; 312/7.2; 348/836, 838, 180,  
348/184, 325, 739; 341/12; 248/917-924,  
248/465; 345/104, 133, 156, 168, 87, 173;  
720/605, 669, 600, 655; 369/99, 197; 455/344,  
455/347; D21/329, 515, 577, 622, 333, 433,  
D21/448, 452, 450, 331; D6/477, 479, 300;  
273/148 B; 446/484, 175, 356; D10/15,  
D10/26

See application file for complete search history.

(56) **References Cited**

U.S. PATENT DOCUMENTS

D541,767 S \* 5/2007 Totsuka et al. .... D14/126  
D581,888 S \* 12/2008 Isshiki ..... D14/126  
D585,856 S \* 2/2009 Fujimoto ..... D14/126

\* cited by examiner

*Primary Examiner*—Raphael Barkai

(74) *Attorney, Agent, or Firm*—Rosenberg, Klein & Lee

(57) **CLAIM**

The ornamental design of a LCD TV, as shown and described.

**DESCRIPTION**

FIG. 1 is a perspective view of a LCD TV showing the new design;

FIG. 2 is a front view thereof;

FIG. 3 is a rear view thereof;

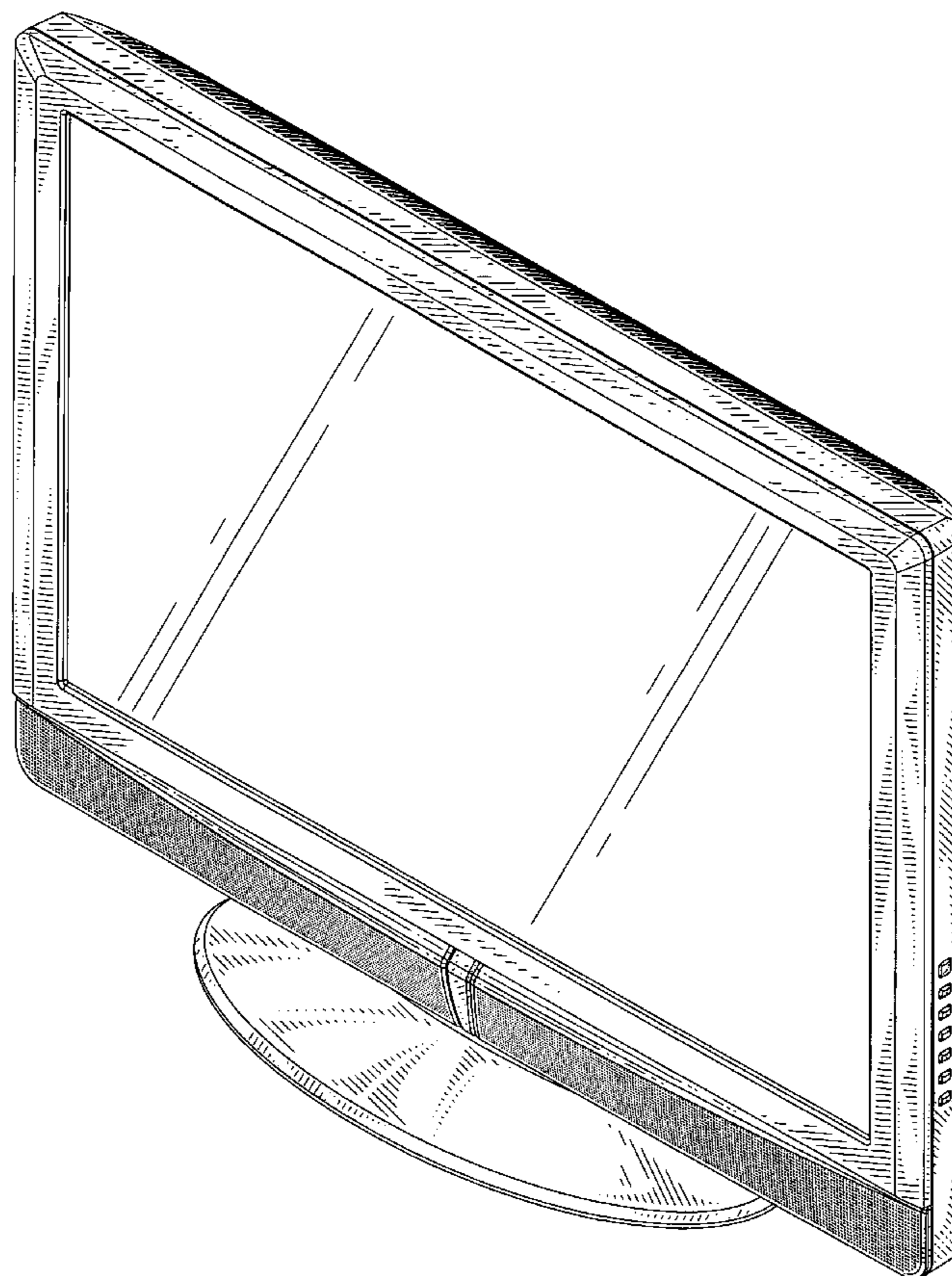
FIG. 4 is a left side view thereof;

FIG. 5 is a right side view thereof;

FIG. 6 is a top view thereof; and,

FIG. 7 is a bottom view thereof.

**1 Claim, 5 Drawing Sheets**



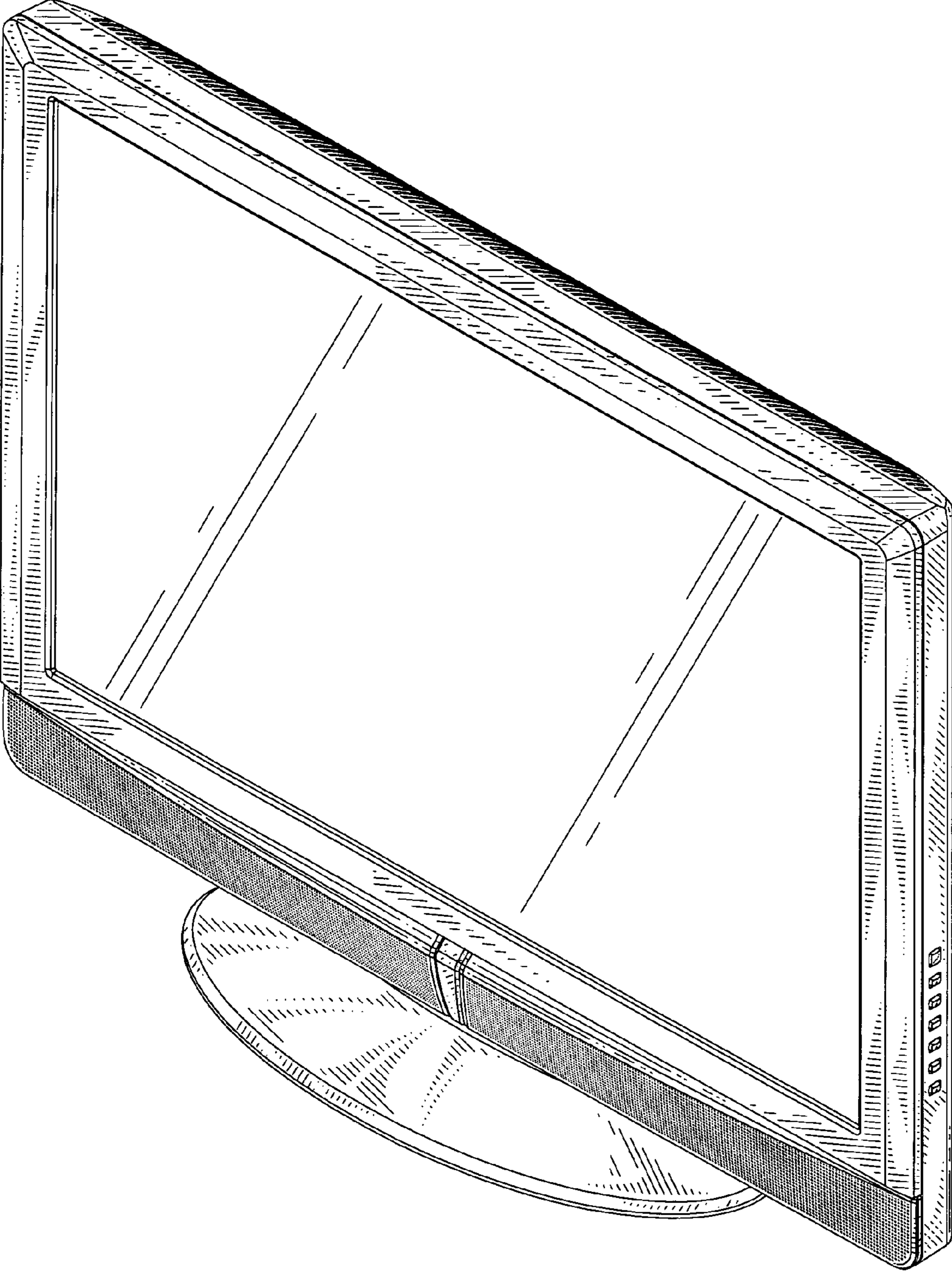


FIG. 1

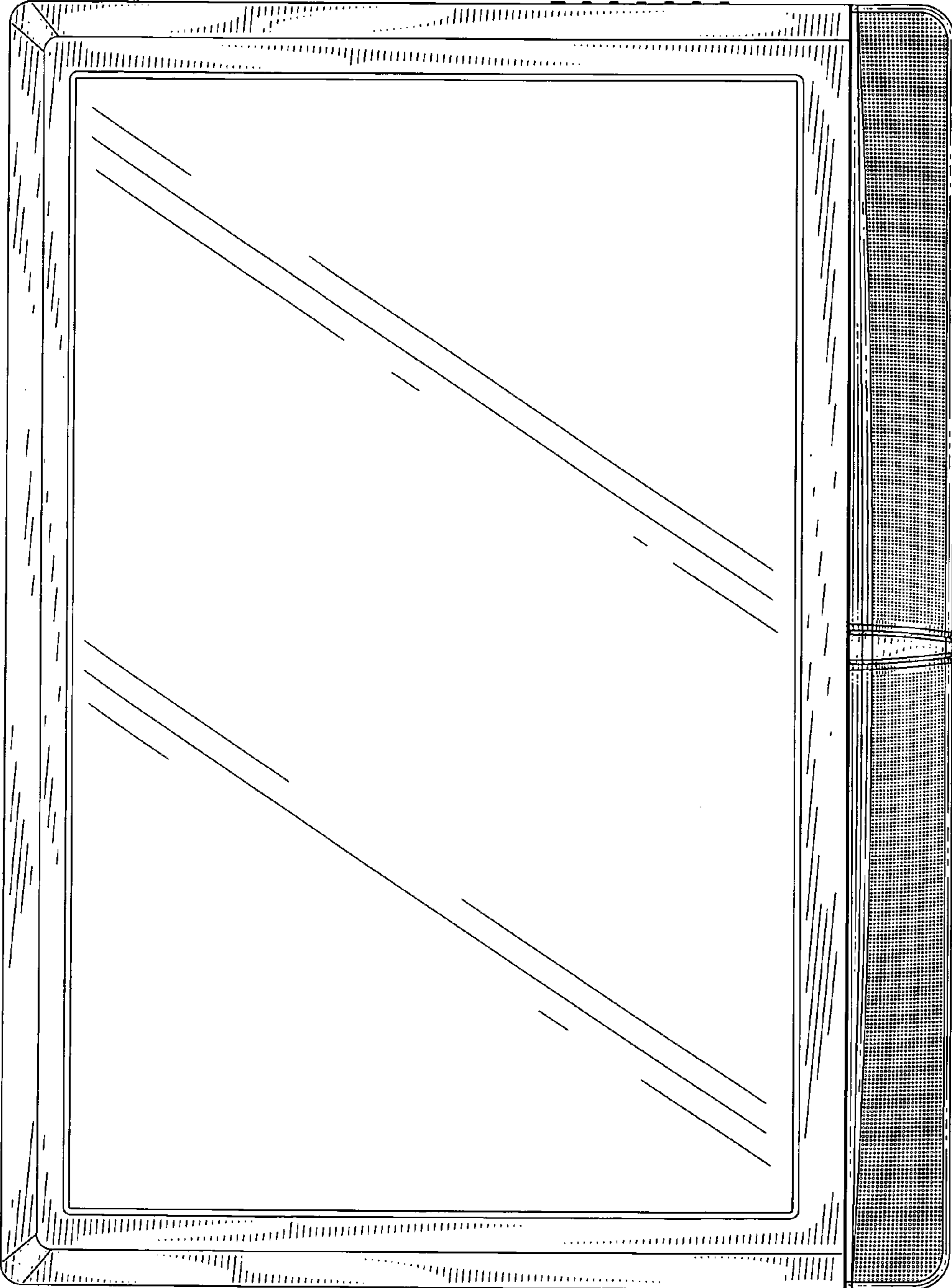


FIG. 2

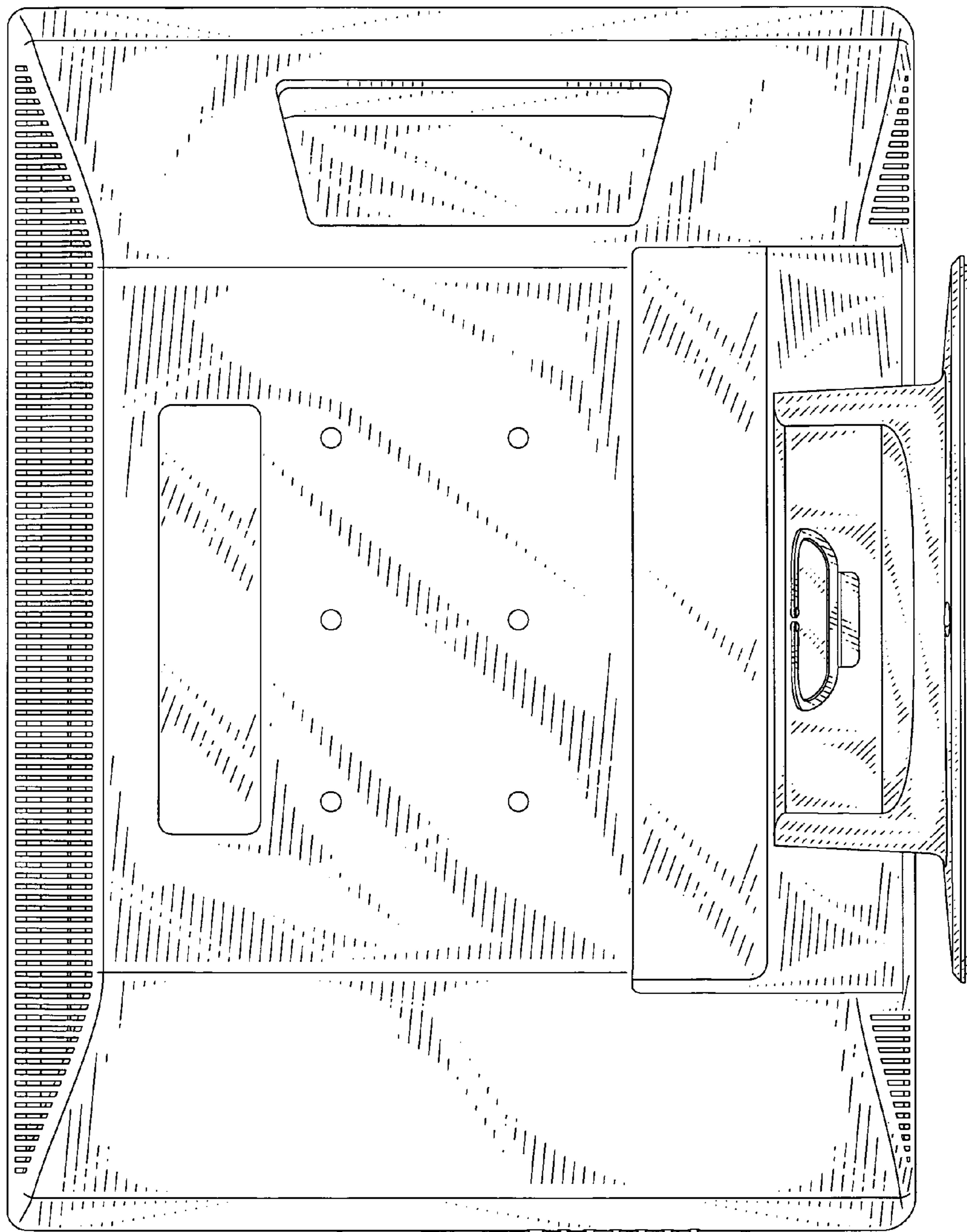


FIG. 3

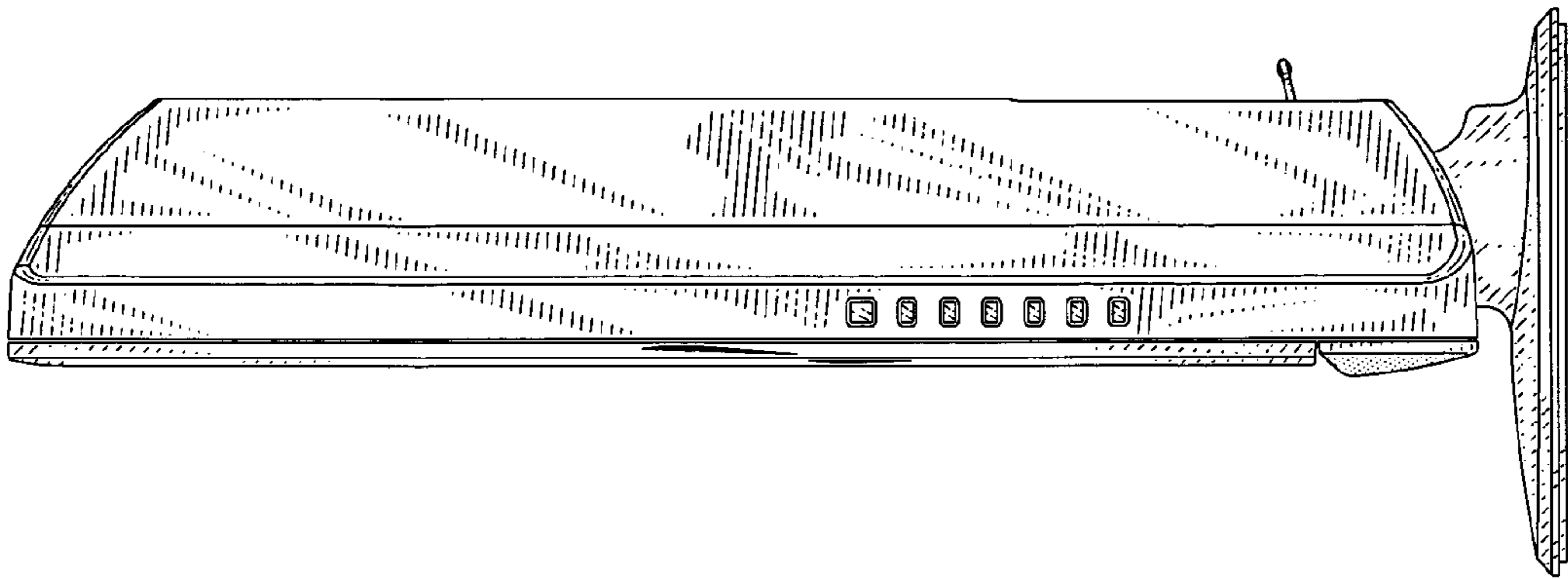


FIG. 5

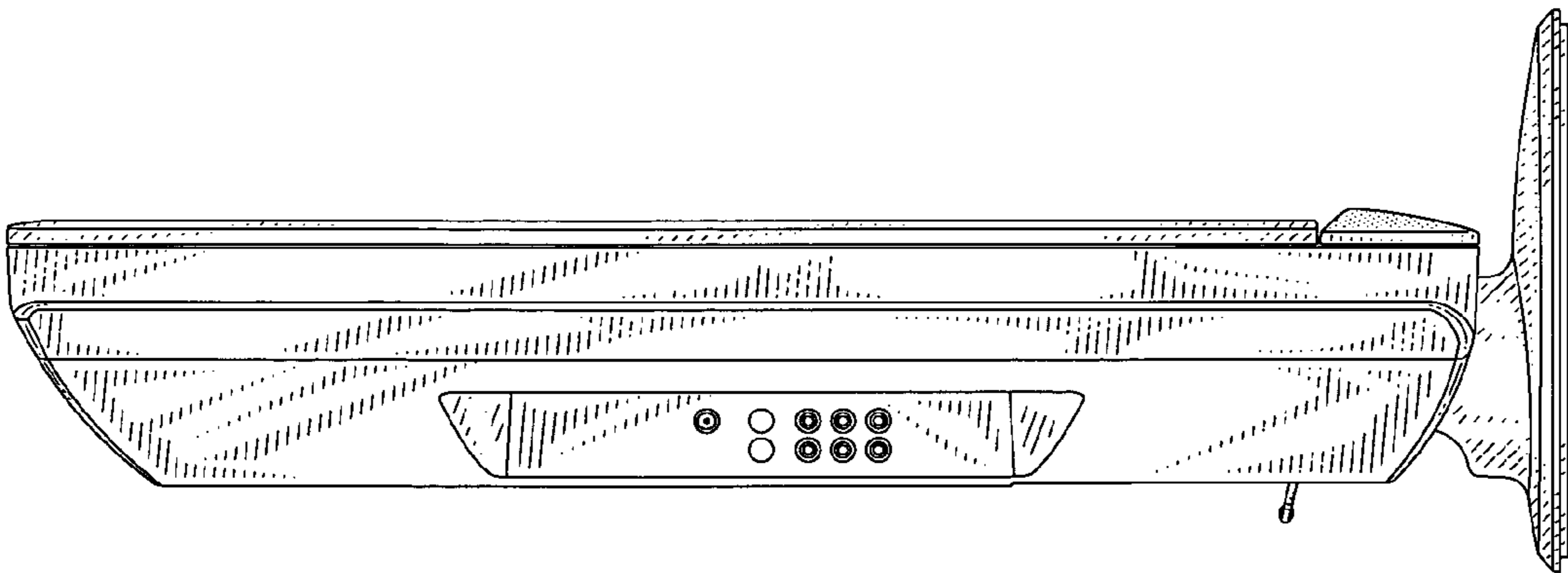


FIG. 4

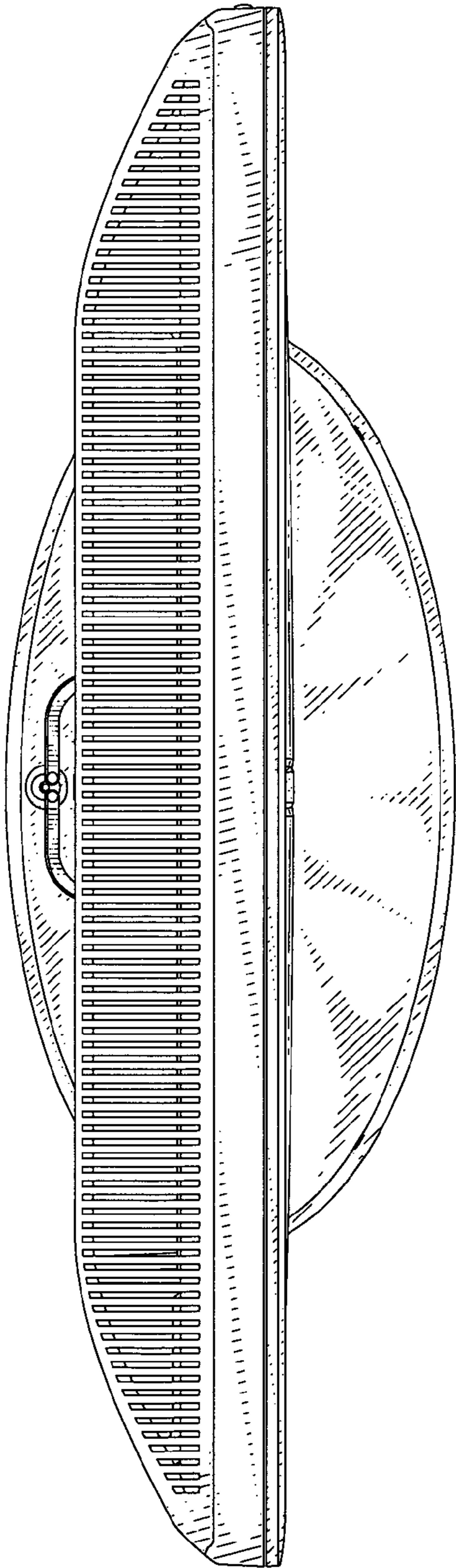


FIG. 6

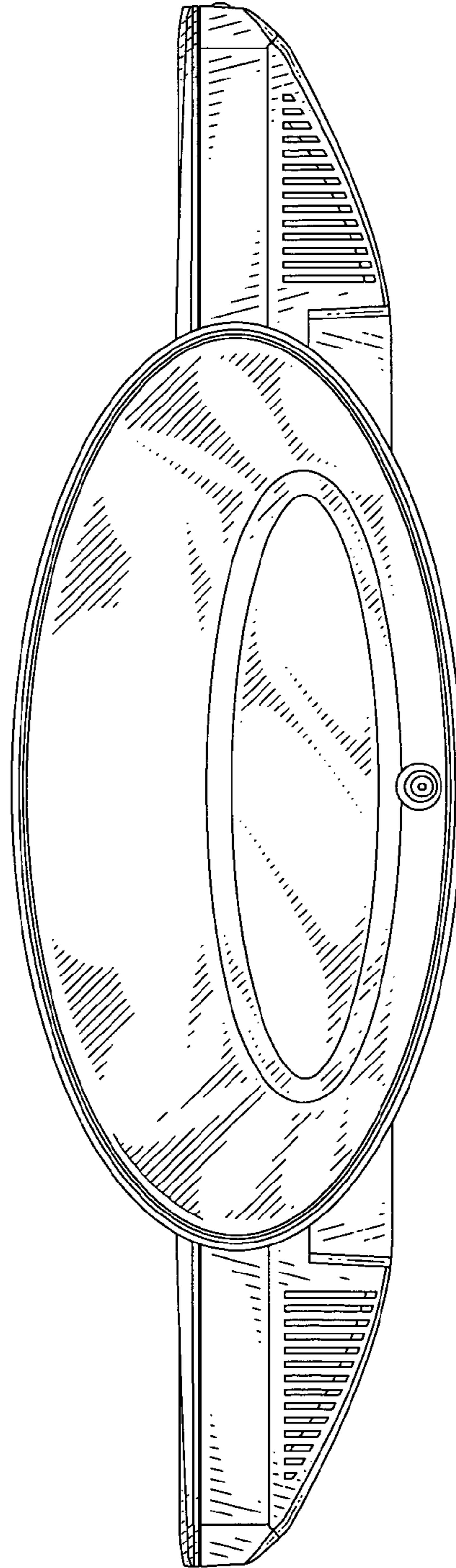


FIG. 7