



US00D598873S

(12) **United States Design Patent**  
**Tseng**

(10) **Patent No.:** **US D598,873 S**

(45) **Date of Patent:** **\*\* Aug. 25, 2009**

(54) **LED MODULE**

(75) Inventor: **Peter K. Tseng**, San Jose, CA (US)

(73) Assignee: **Xicato, Inc.**, San Jose, CA (US)

(\*\*) Term: **14 Years**

(21) Appl. No.: **29/328,093**

(22) Filed: **Nov. 18, 2008**

(51) **LOC (9) Cl.** ..... **13-03**

(52) **U.S. Cl.** ..... **D13/180**

(58) **Field of Classification Search** ..... D13/180;  
D26/2; 257/79, 80, 81, 88, 89, 95, 98, 99,  
257/100; 313/483, 498, 500; 362/555, 800  
See application file for complete search history.

(56) **References Cited**

**U.S. PATENT DOCUMENTS**

D512,694	S	*	12/2005	Kim et al.	.....	D13/180
D563,333	S	*	3/2008	Kim et al.	.....	D13/180
7,479,660	B2	*	1/2009	Kobilke	.....	257/89
D589,470	S	*	3/2009	Chen	.....	D13/180
2006/0169999	A1	*	8/2006	Park et al.	.....	257/99
2006/0180824	A1	*	8/2006	Kim et al.	.....	257/99

2008/0217643 A1\* 9/2008 Lin et al. .... 257/99

\* cited by examiner

*Primary Examiner*—Selina Sikder

(74) *Attorney, Agent, or Firm*—Silicon Valley Patent Group LLP

(57) **CLAIM**

The ornamental design for an LED module, as shown and described.

**DESCRIPTION**

FIG. 1 is a top perspective view of an LED module showing my new design;

FIG. 2 is a top plan view thereof;

FIG. 3 is a left elevational view thereof;

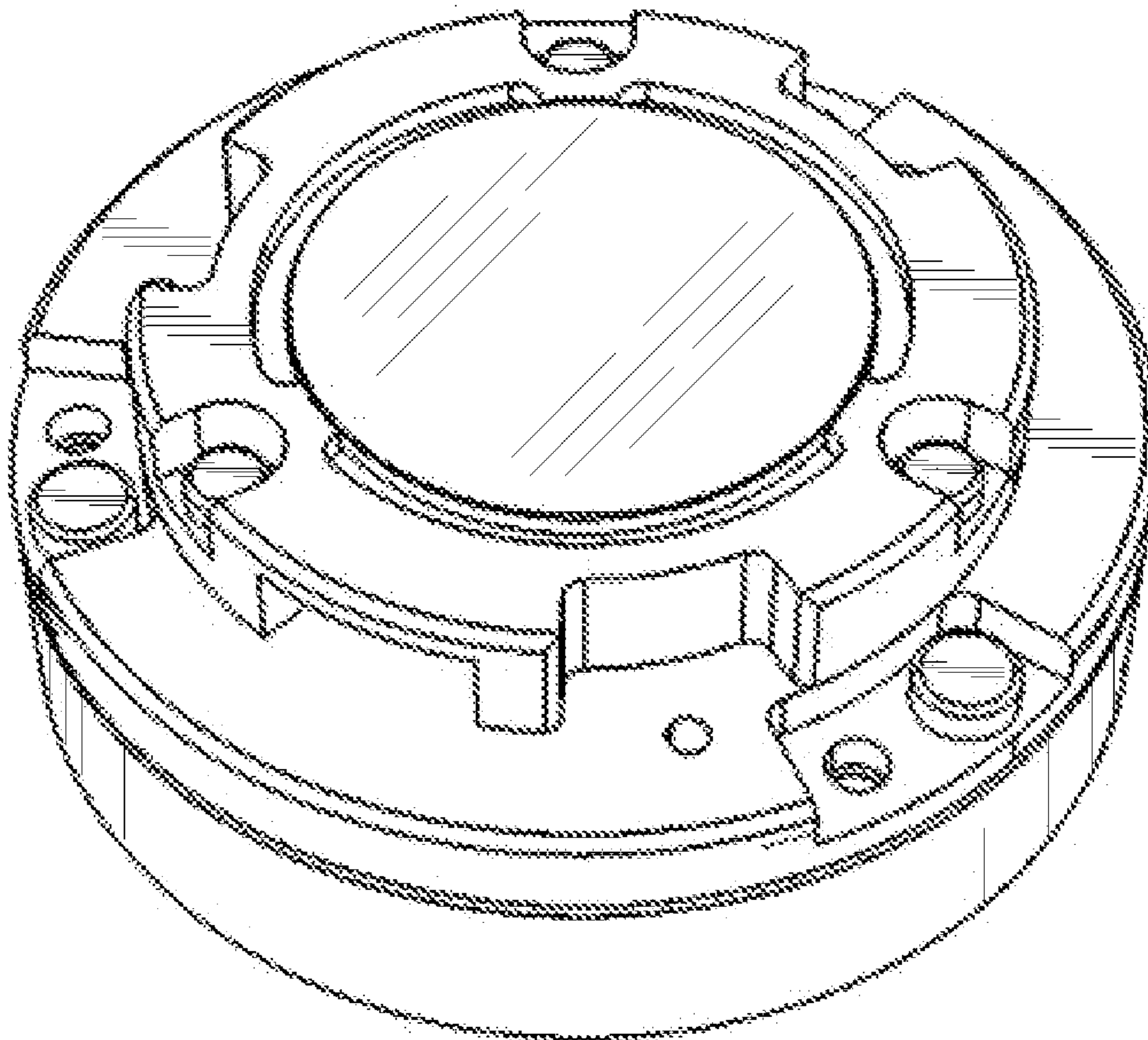
FIG. 4 is a right elevational view thereof;

FIG. 5 is a front elevational view thereof;

FIG. 6 is a back elevational view thereof; and,

FIG. 7 is a bottom plan view thereof wherein the broken line showing portion of the LED module is for illustrative purposes only and forms no part of the claimed design .

**1 Claim, 3 Drawing Sheets**



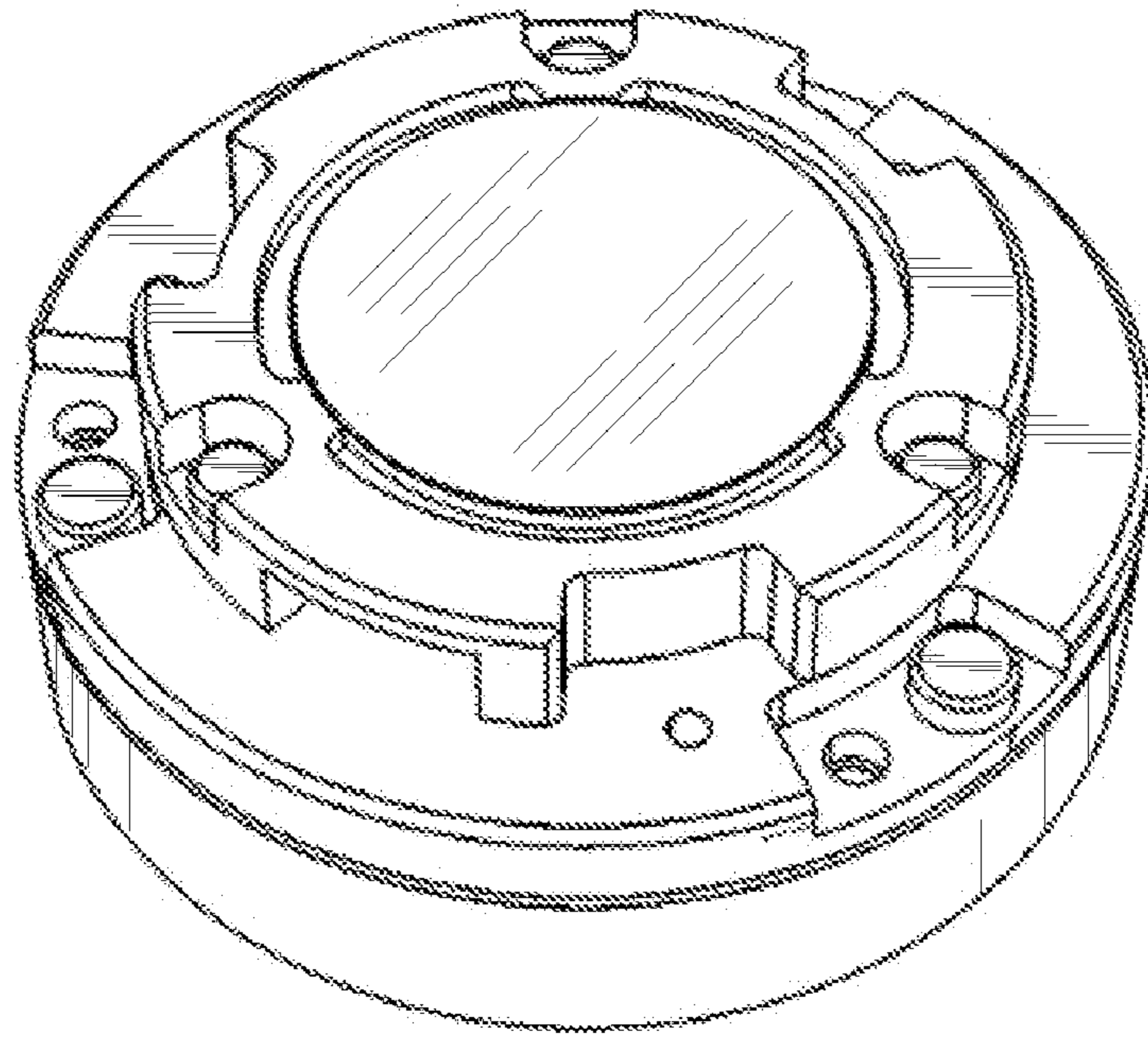


FIG. 1

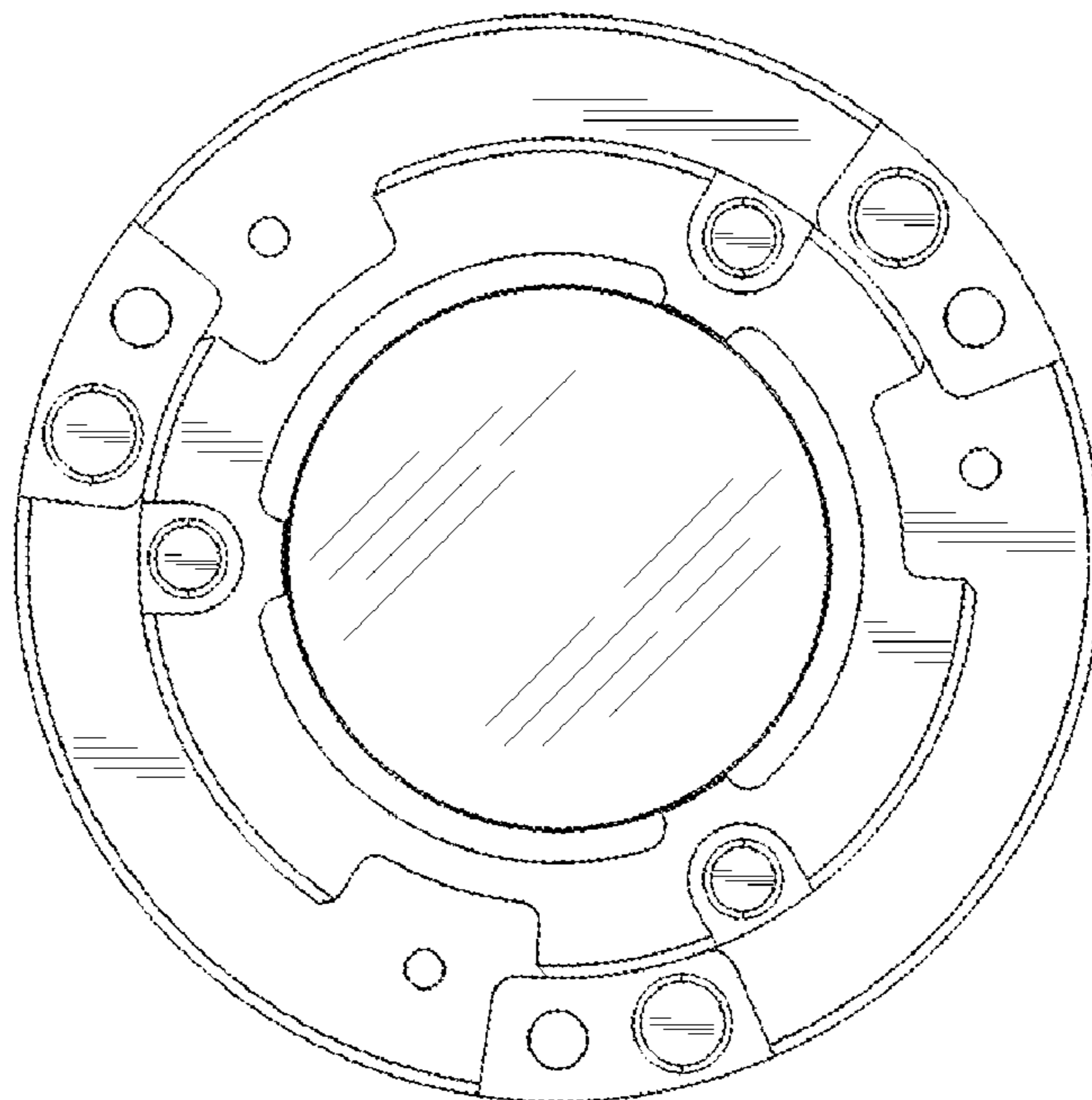


FIG. 2

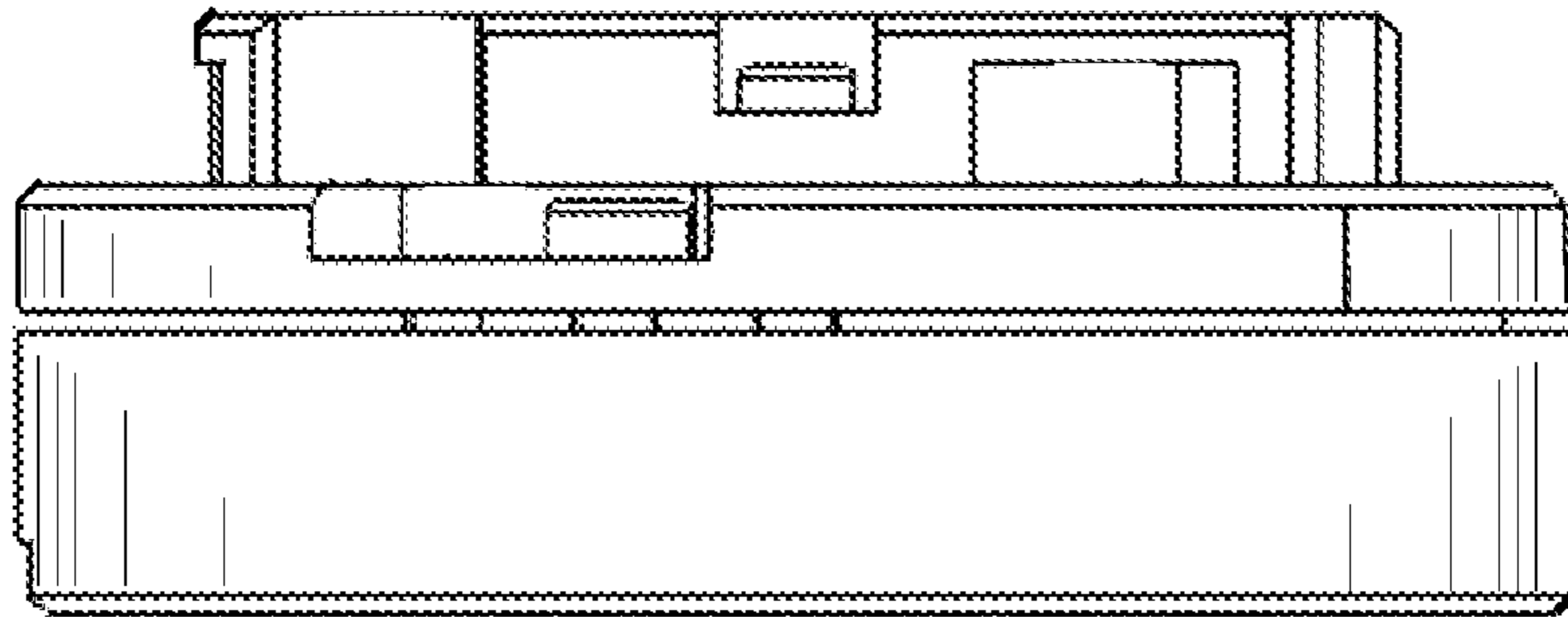


FIG. 3

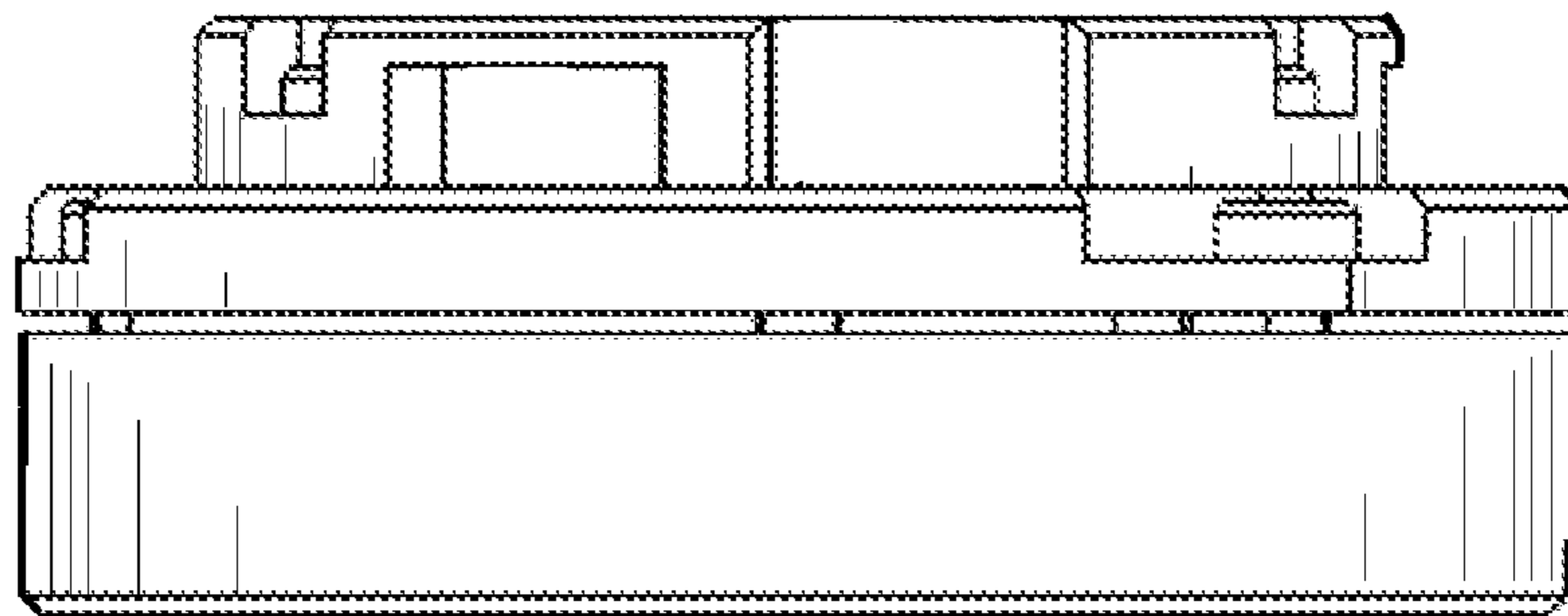


FIG. 4

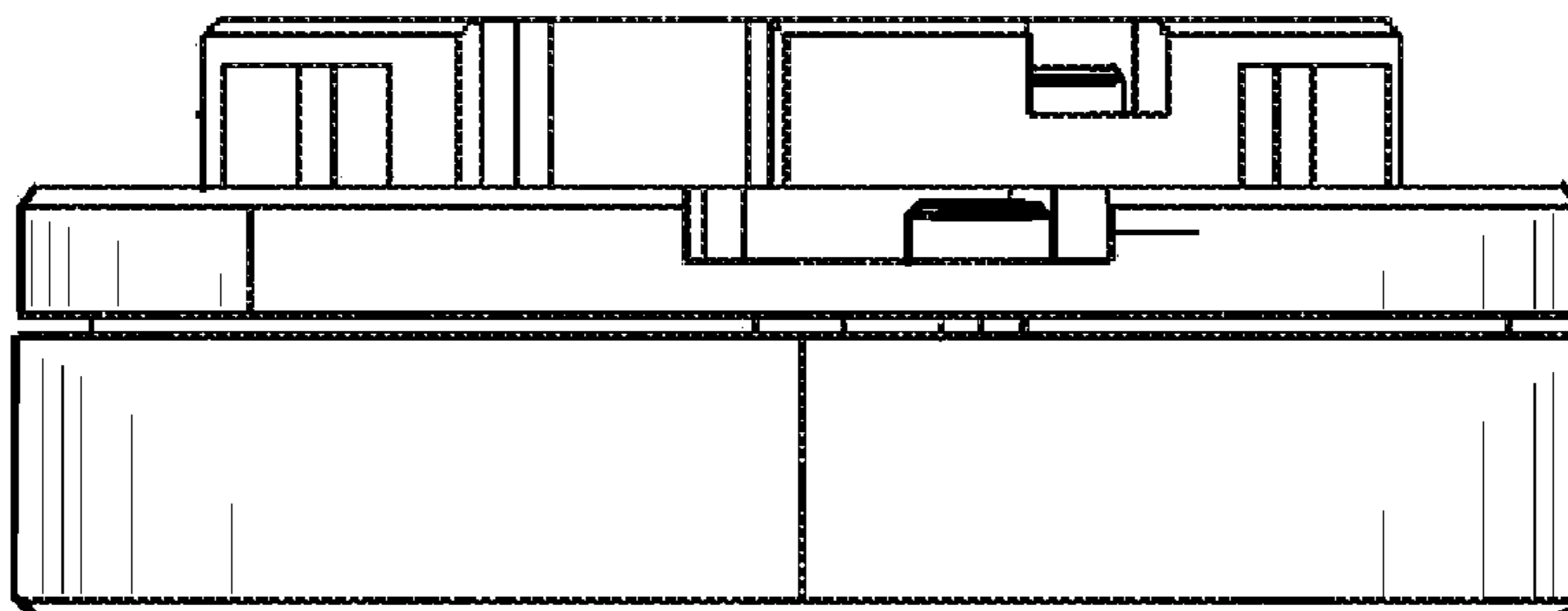


FIG. 5

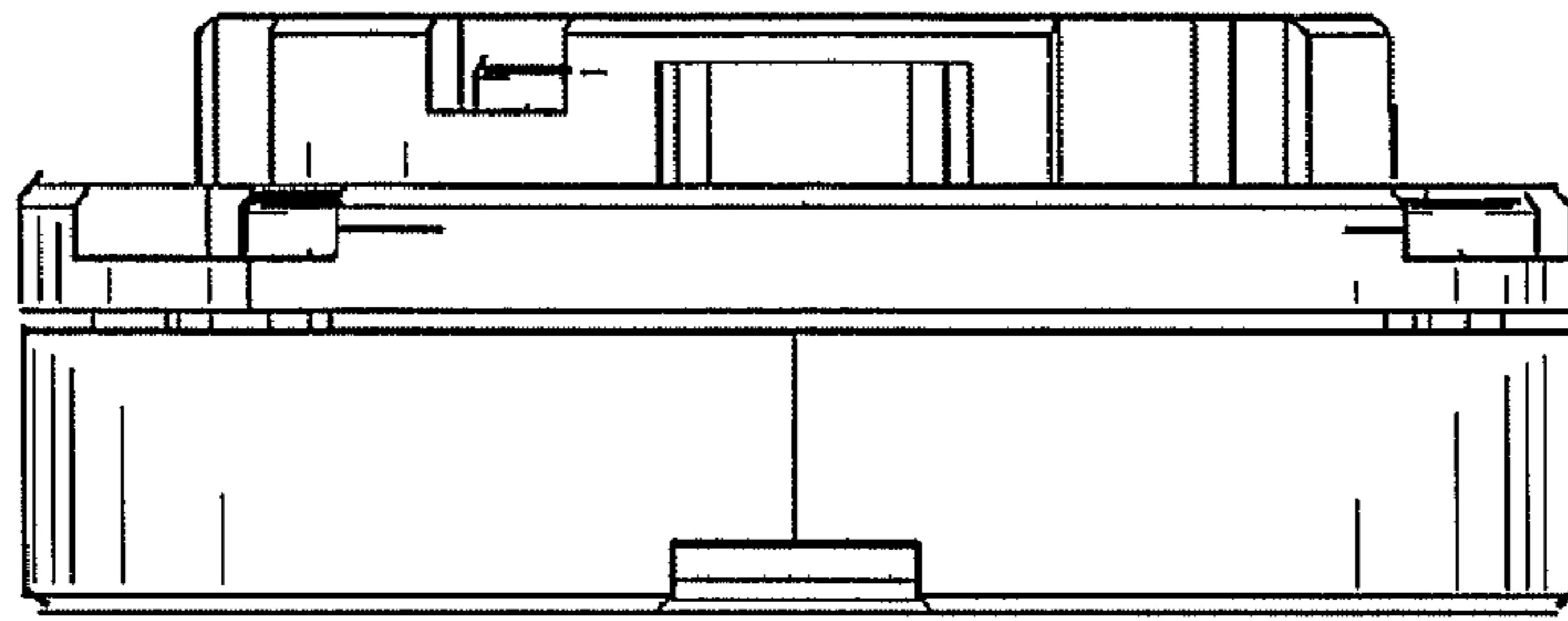


FIG. 6

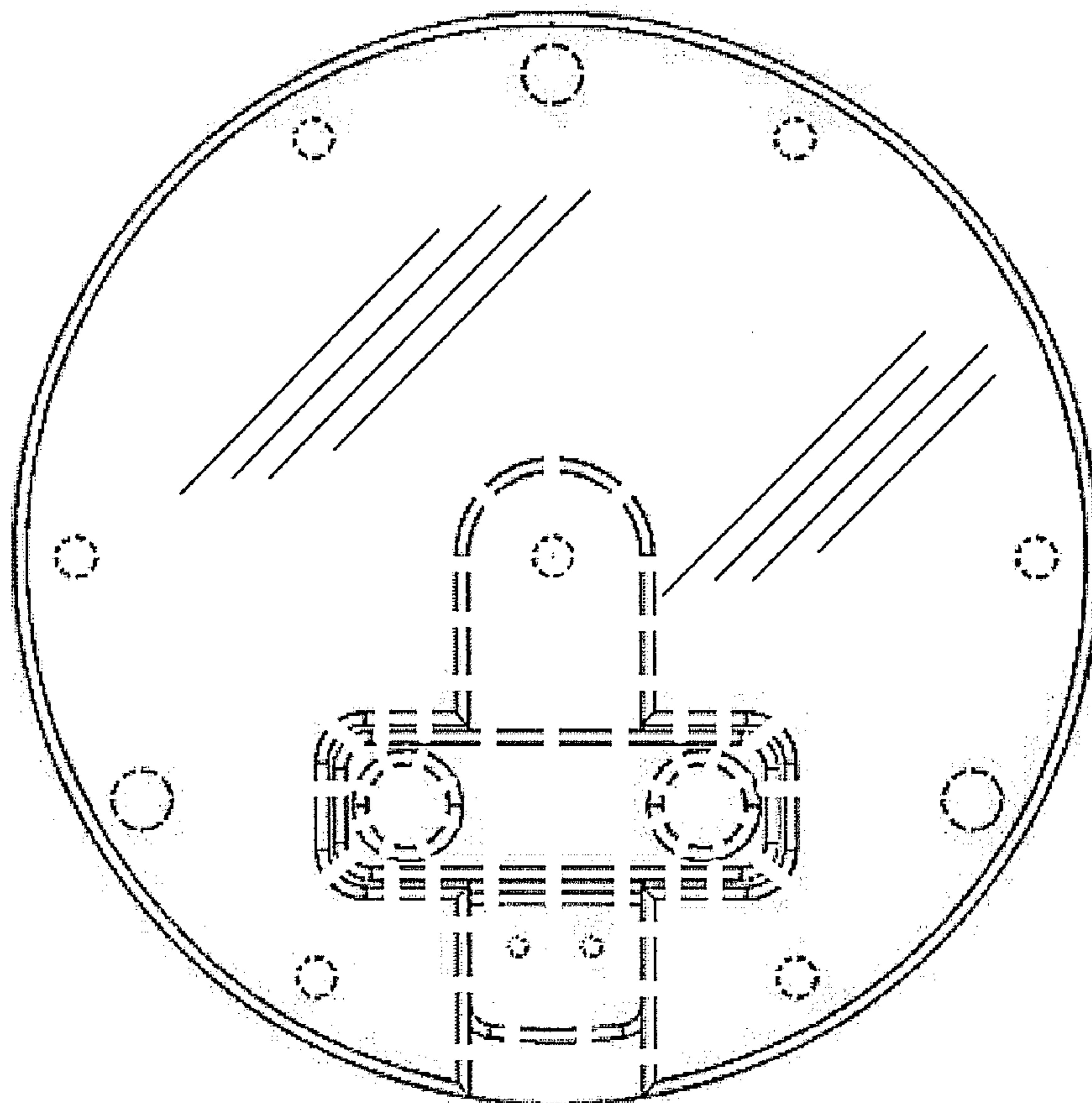


FIG. 7