



US00D598872S

(12) **United States Design Patent**  
**In et al.**

(10) **Patent No.:** **US D598,872 S**

(45) **Date of Patent:** **\*\* Aug. 25, 2009**

(54) **LIGHT EMITTING DIODE**

(75) Inventors: **Chi-Ok In**, Chungcheongnam-do (KR);  
**Jong-Won Park**, Jeonju-si (KR)

(73) Assignee: **Alti-Electronics Co., Ltd.**, Yongin-si  
(KR)

(\*\*) Term: **14 Years**

(21) Appl. No.: **29/290,602**

(22) Filed: **Dec. 26, 2007**

(30) **Foreign Application Priority Data**

Oct. 29, 2007 (KR) ..... 30-2007-0044897

(51) **LOC (9) Cl.** ..... **13-03**

(52) **U.S. Cl.** ..... **D13/180**

(58) **Field of Classification Search** ..... D13/180;  
D26/2; 257/79, 80, 81, 88, 89, 95, 98, 99,  
257/100; 313/483, 498, 500; 362/555, 800  
See application file for complete search history.

(56) **References Cited**

**U.S. PATENT DOCUMENTS**

|              |         |             |       |         |
|--------------|---------|-------------|-------|---------|
| D490,385 S * | 5/2004  | Ishida      | ..... | D13/180 |
| D490,783 S * | 6/2004  | Ishida      | ..... | D13/180 |
| D529,451 S * | 10/2006 | Kim et al.  | ..... | D13/180 |
| D531,141 S * | 10/2006 | Tzeng       | ..... | D13/180 |
| D533,146 S * | 12/2006 | Wu et al.   | ..... | D13/180 |
| D549,187 S * | 8/2007  | Park et al. | ..... | D13/180 |
| D566,054 S * | 4/2008  | Kim et al.  | ..... | D13/180 |

2006/0023451 A1\* 2/2006 Han et al. .... 362/249

\* cited by examiner

*Primary Examiner*—Selina Sikder

(74) *Attorney, Agent, or Firm*—The Nath Law Group; Jerald  
L. Meyer; Stanley N. Protigal

(57) **CLAIM**

The ornamental design for a light emitting diode, as shown.

**DESCRIPTION**

FIG. 1 is a perspective view of the light emitting diode,  
showing our new design;

FIG. 2 is a front elevational view of the light emitting diode of  
FIG. 1;

FIG. 3 is a rear elevational view of the light emitting diode of  
FIG. 1;

FIG. 4 is a left side elevational view of the light emitting diode  
of FIG. 1;

FIG. 5 is a right side elevational view of the light emitting  
diode of FIG. 1;

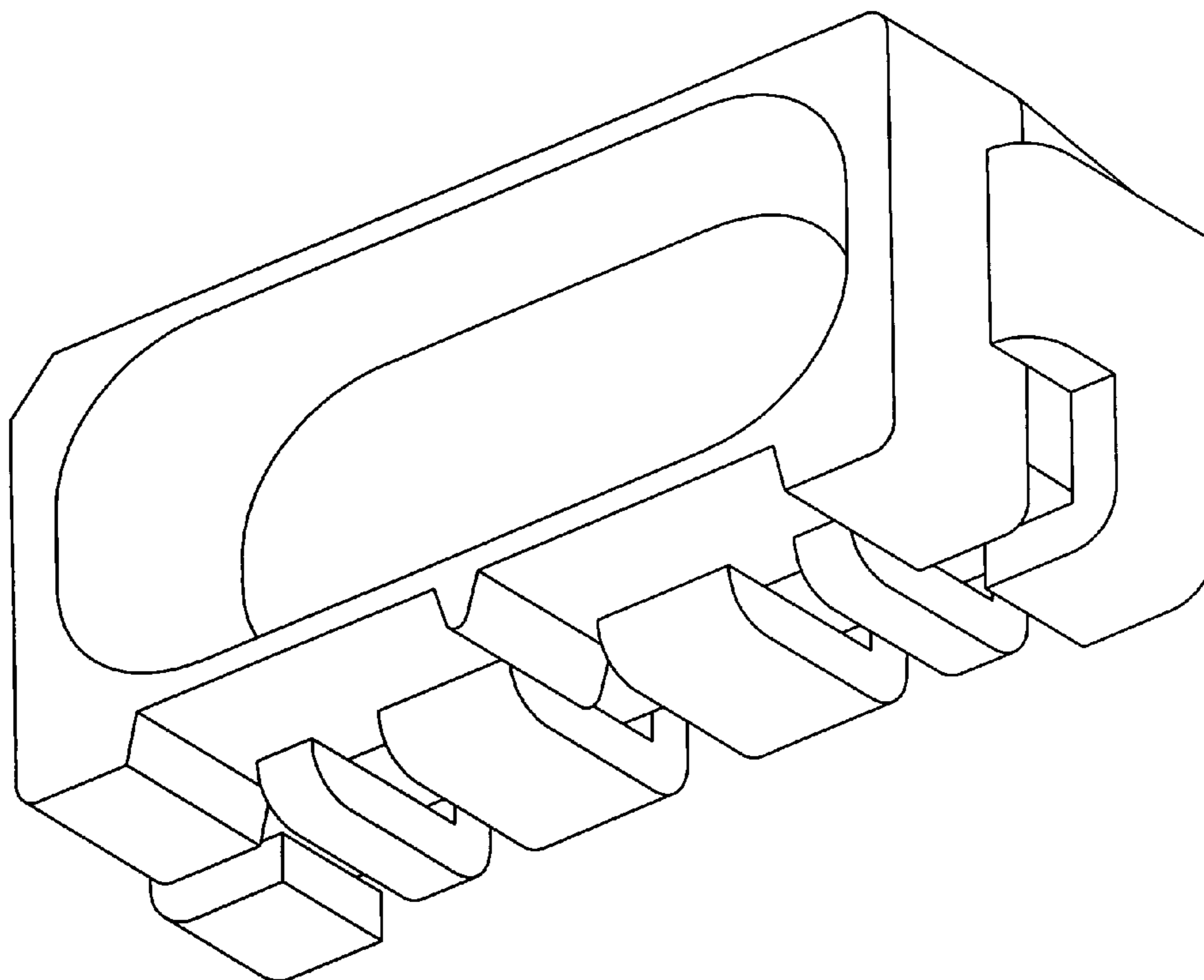
FIG. 6 is a top plan view of the light emitting diode of FIG. 1;

FIG. 7 is a bottom plan view of the light emitting diode of  
FIG. 1;

FIG. 8 is further perspective view of the light emitting diode  
of FIG. 1; and,

FIG. 9 is still further perspective view of the light emitting  
diode of FIG. 1.

**1 Claim, 9 Drawing Sheets**



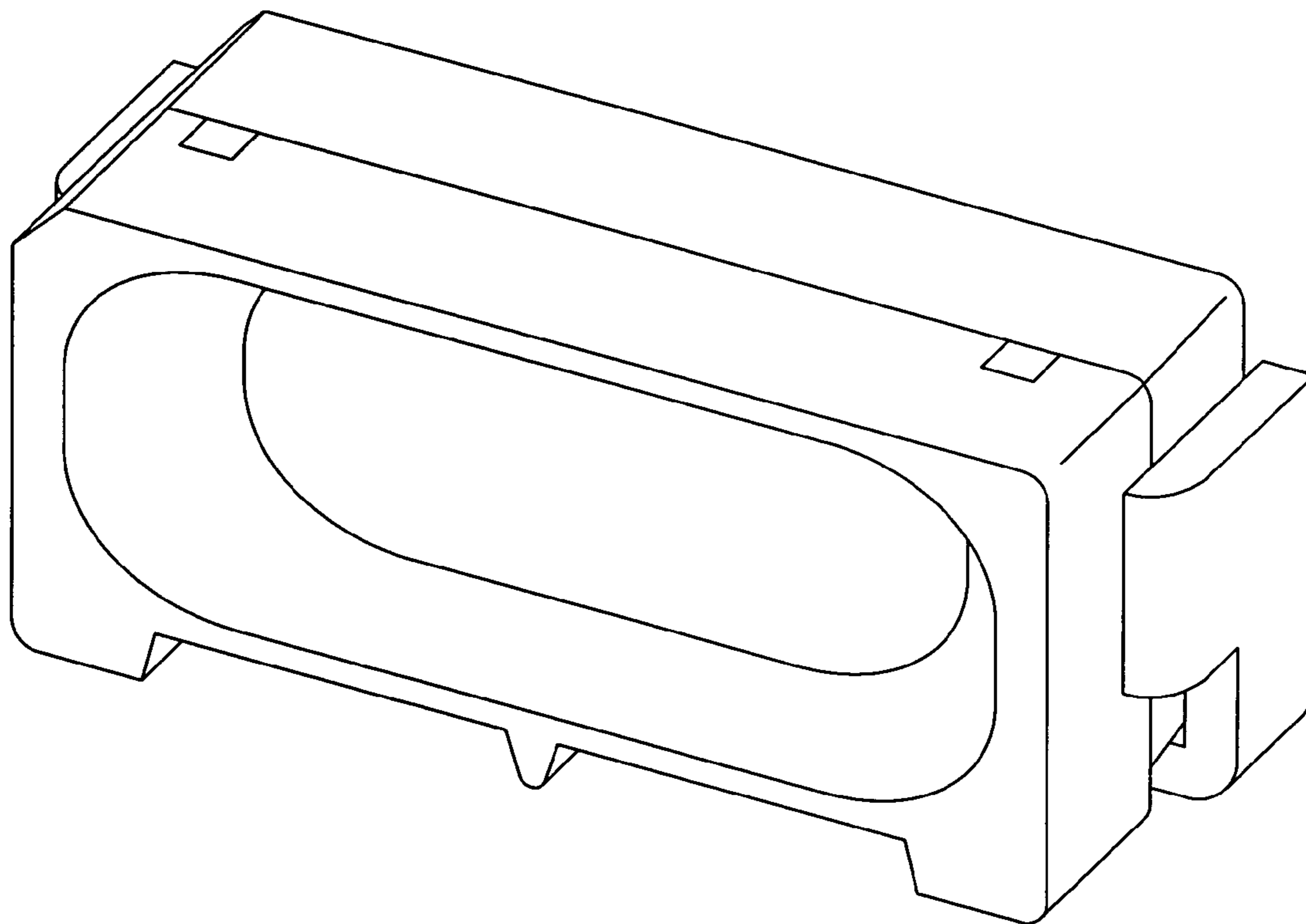


FIG. 1

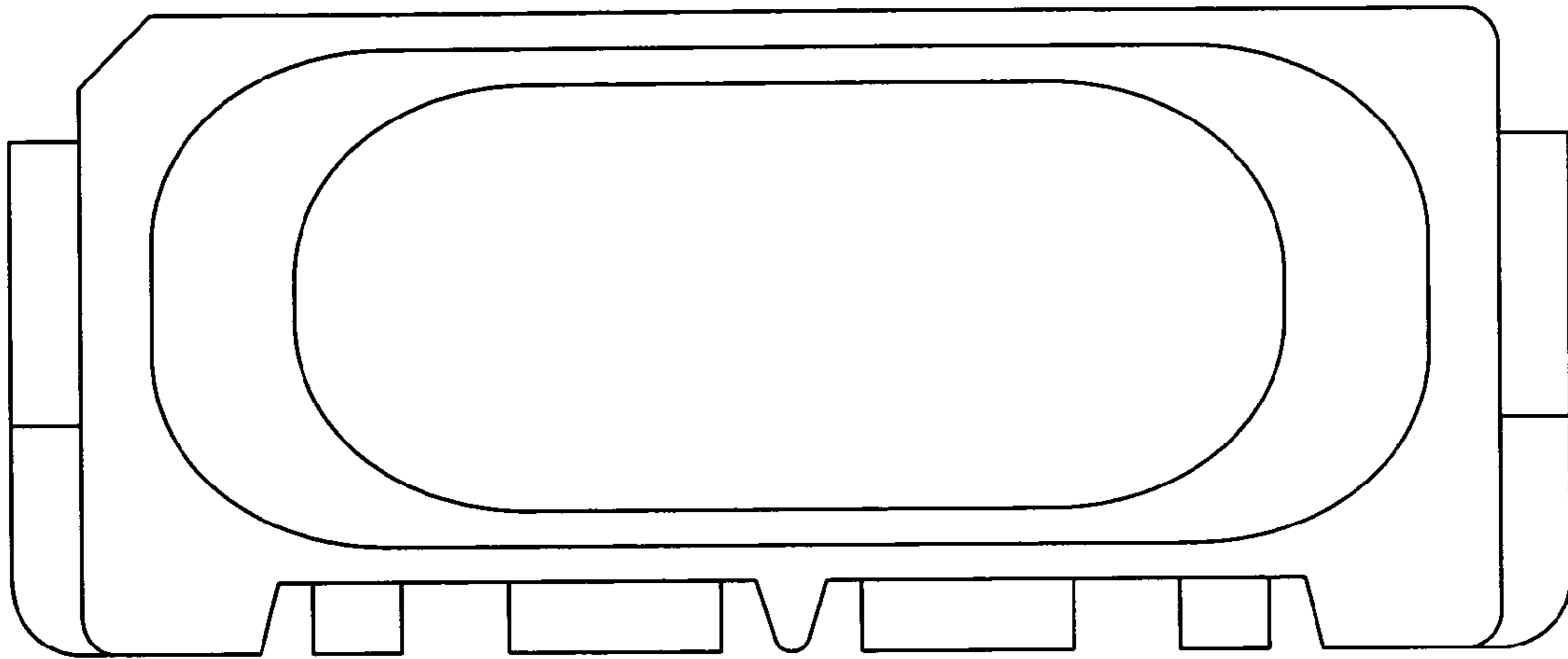


FIG. 2

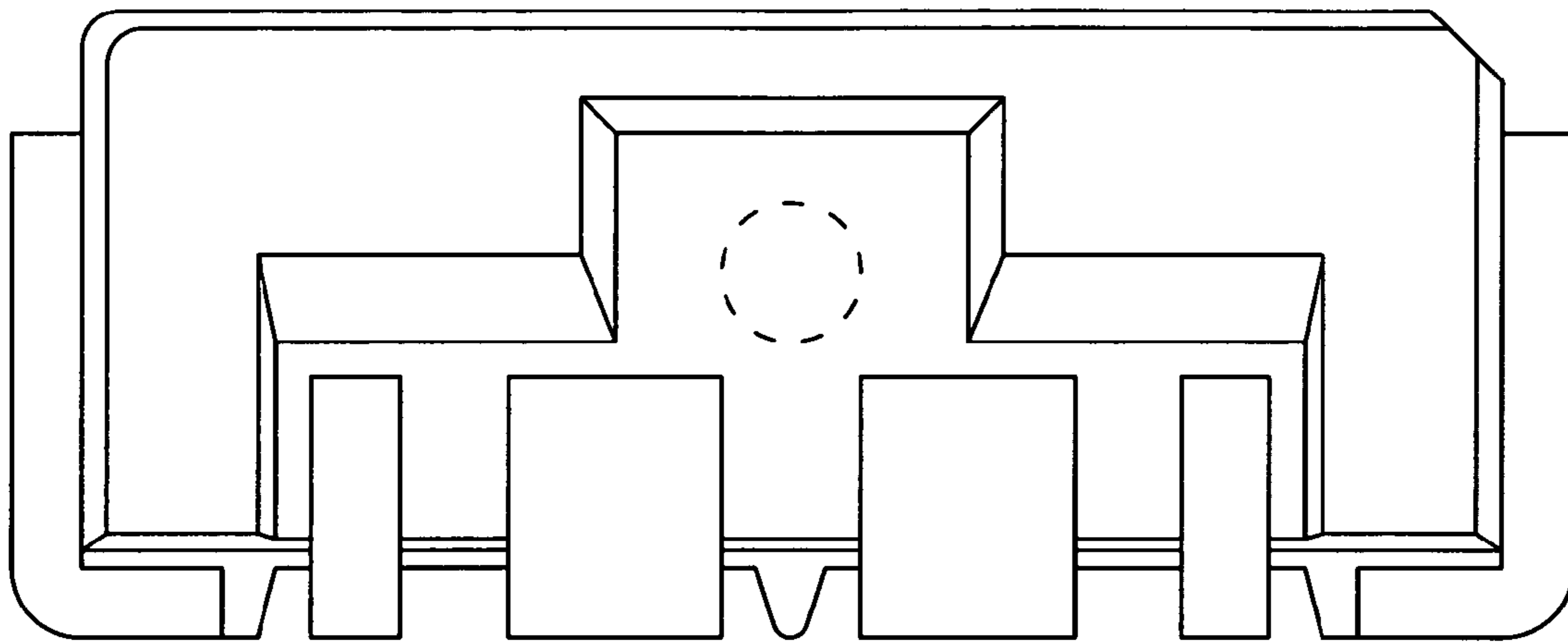


FIG. 3

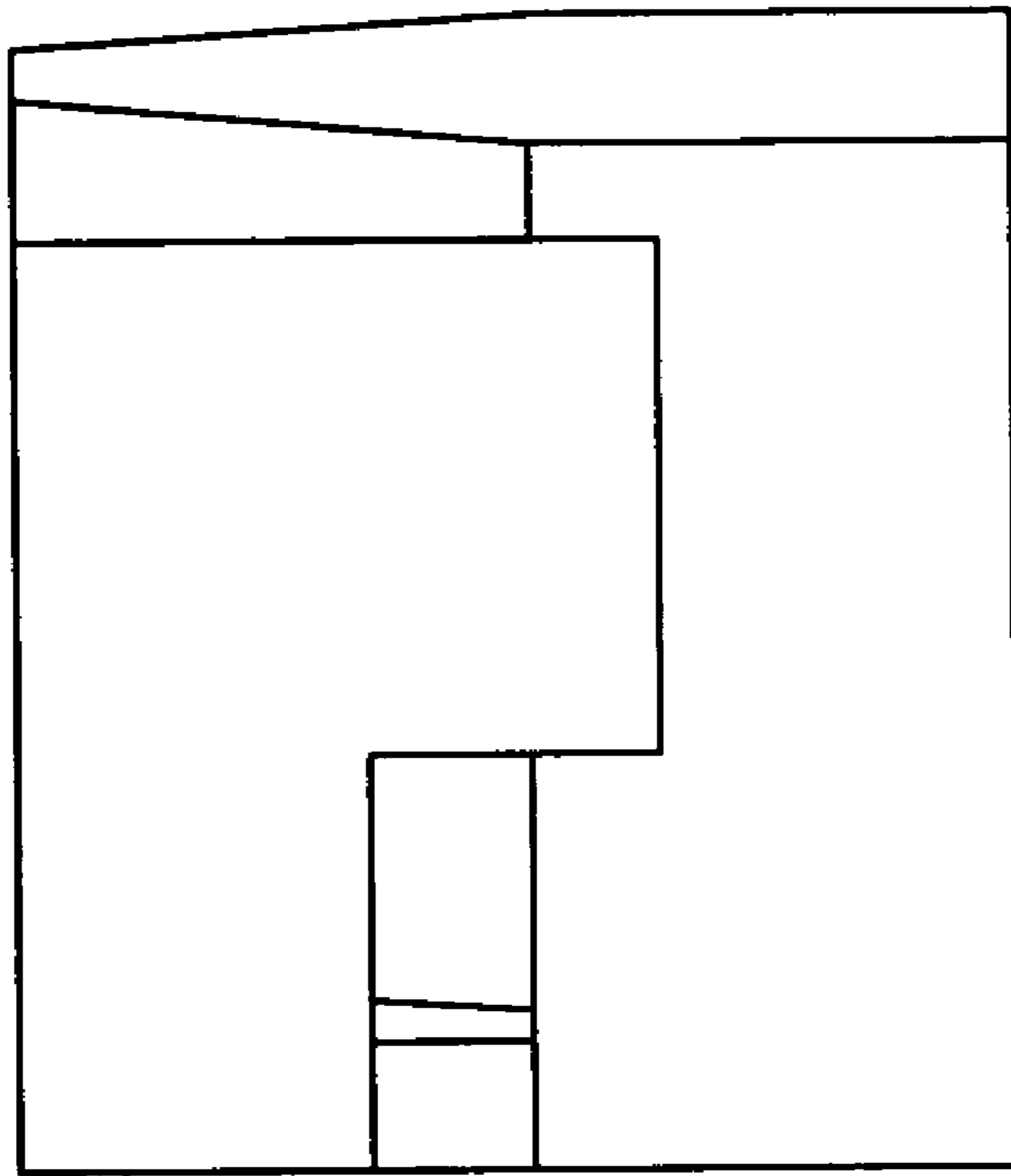


FIG. 4

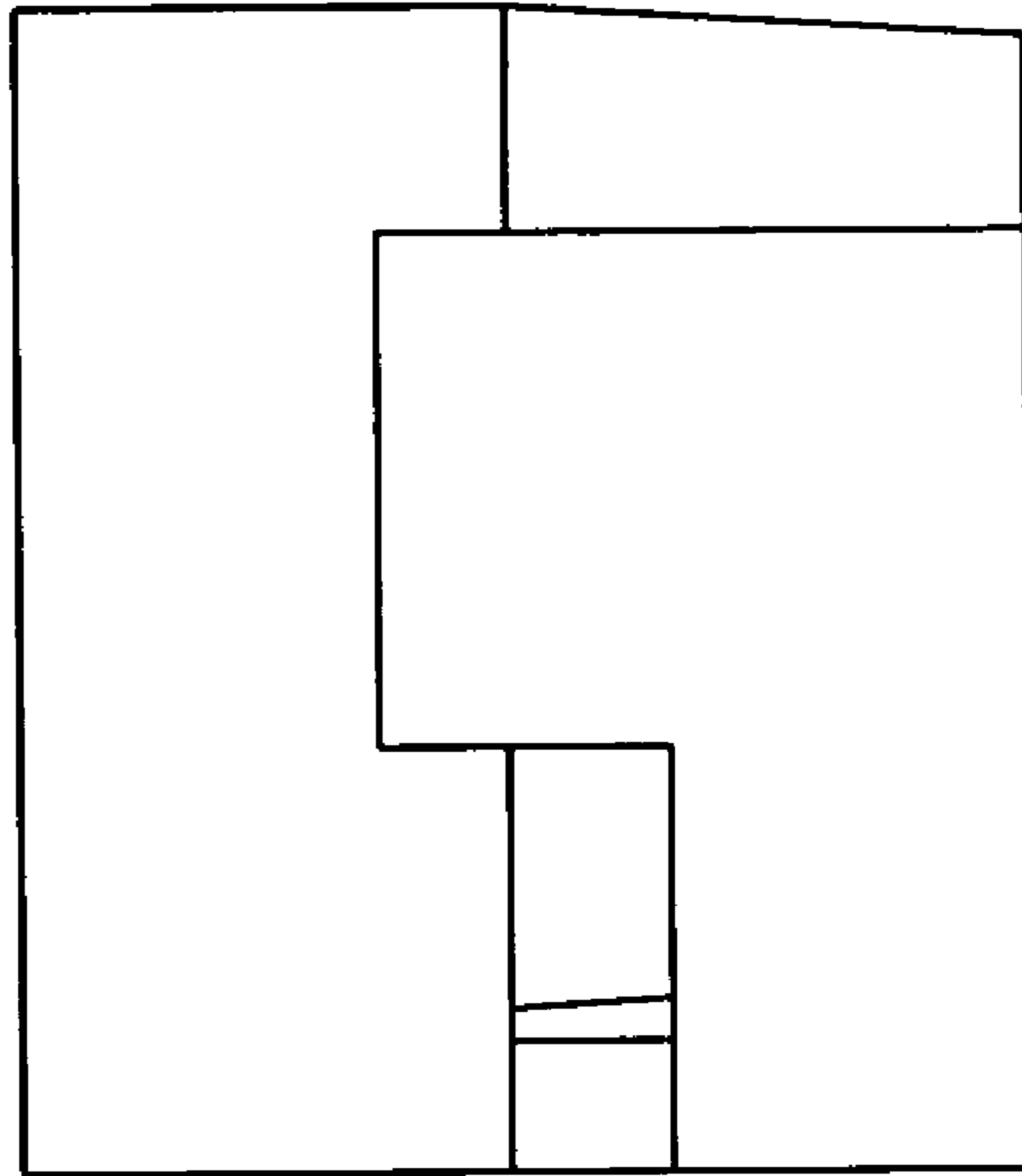


FIG. 5



FIG. 6

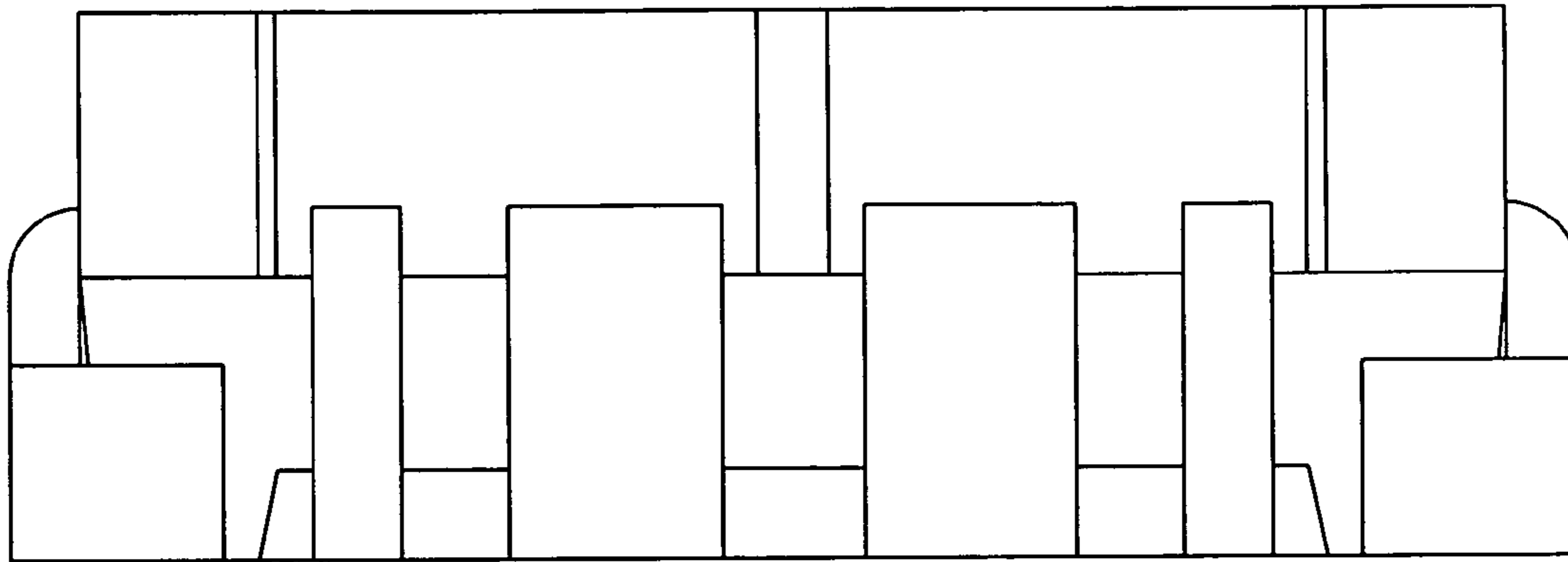


FIG. 7



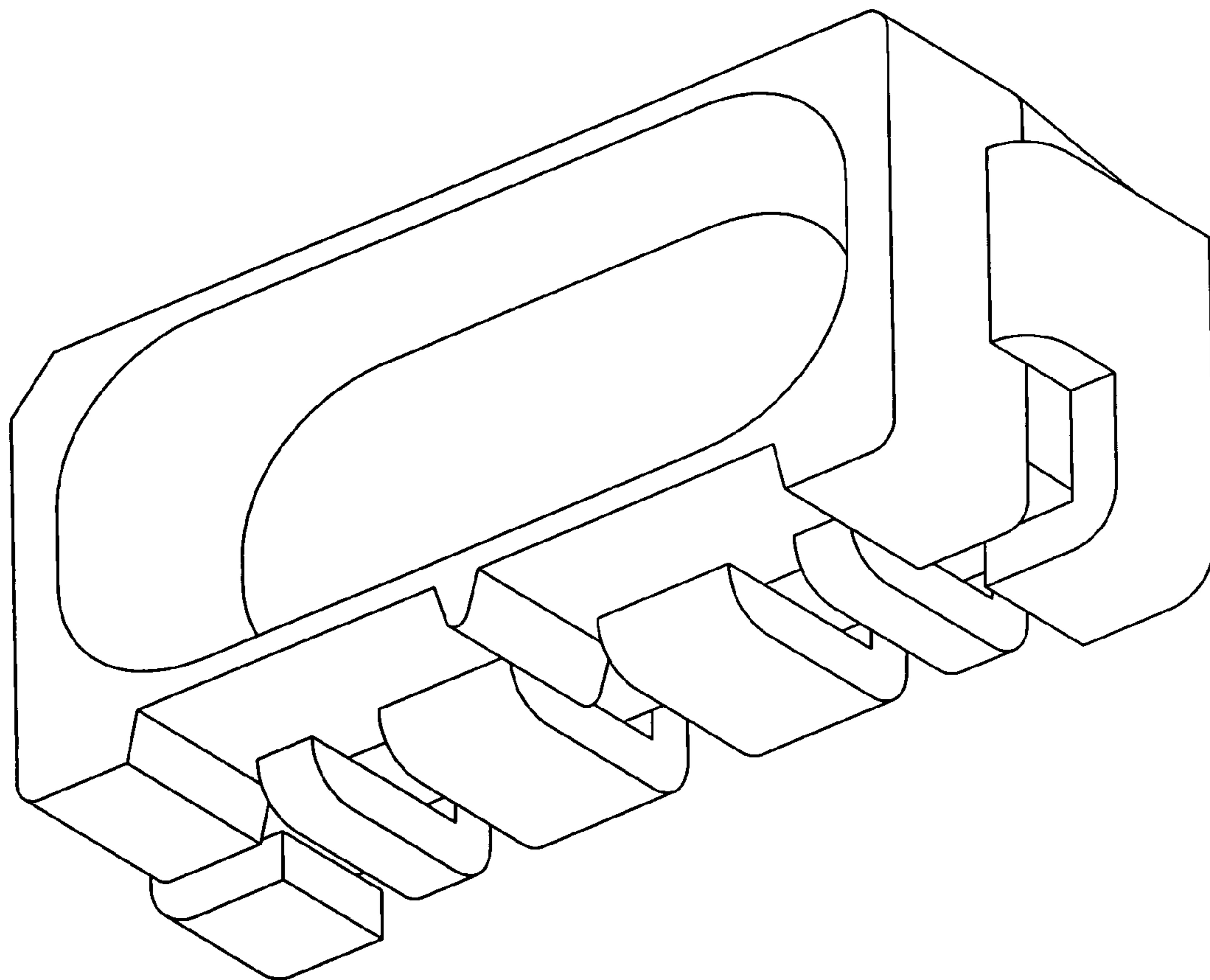


FIG. 8

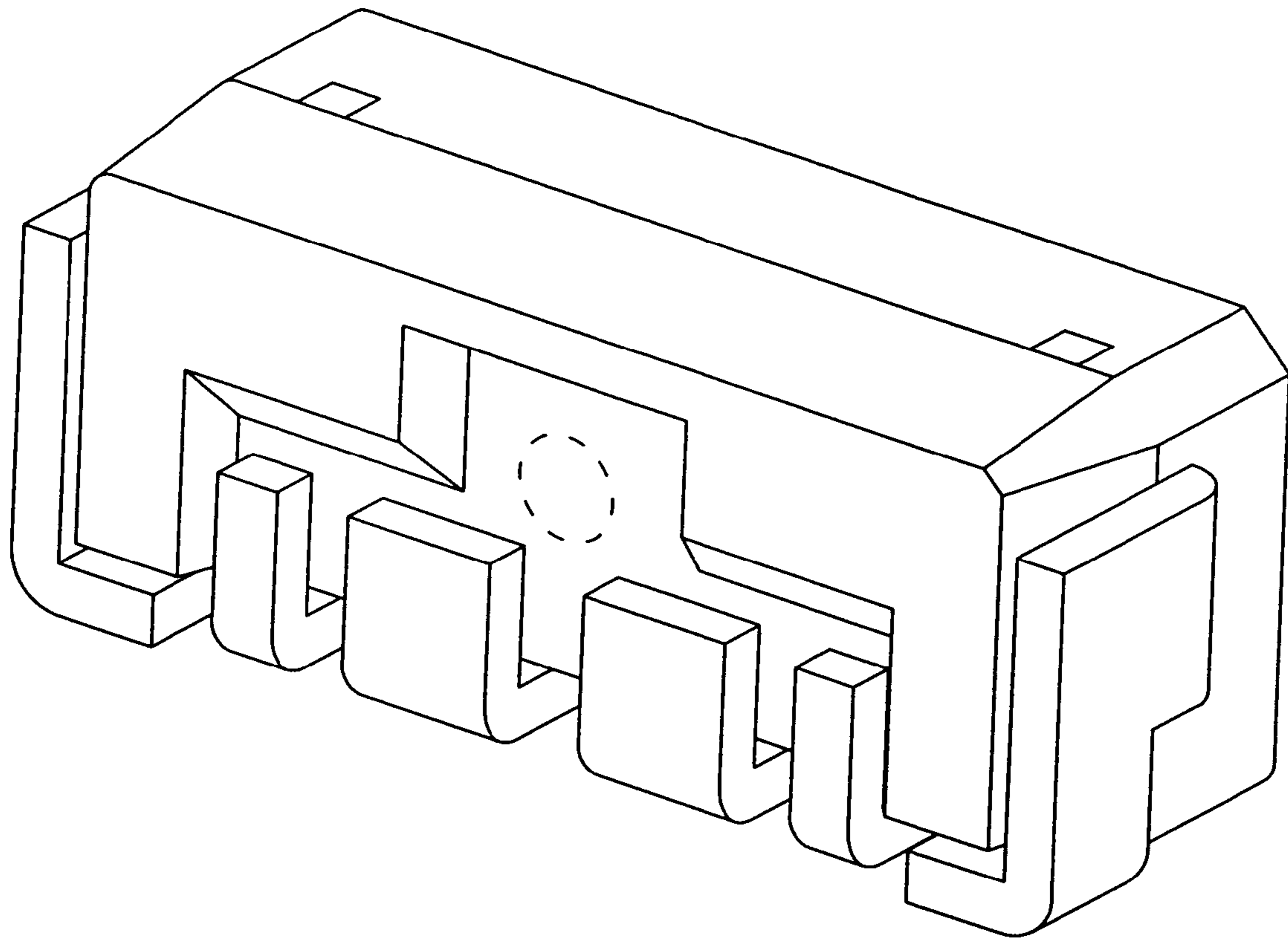


FIG. 9