



US00D598871S

(12) **United States Design Patent**
Eberle et al.

(10) **Patent No.:** **US D598,871 S**

(45) **Date of Patent:** **** Aug. 25, 2009**

(54) **LED PACKAGE**

(75) Inventors: **Stefan Eberle**, Mountain View, CA
(US); **Robert Scott West**, Morgan Hill,
CA (US)

(73) Assignees: **Koninklijke Philips Electronics N.V. et al.** (NL); **Philips Lumileds Lighting Company, LLC**, San Jose, CA (US)

(**) Term: **14 Years**

(21) Appl. No.: **29/250,204**

(22) Filed: **Nov. 6, 2006**

(51) **LOC (9) Cl.** **13-03**

(52) **U.S. Cl.** **D13/180**

(58) **Field of Classification Search** D13/180;
D26/1, 2; 257/79, 80, 81, 88, 89, 95, 98,
257/99, 100; 313/483, 498, 500; 362/555,
362/800

See application file for complete search history.

(56) **References Cited**

U.S. PATENT DOCUMENTS

5,722,760	A *	3/1998	Chien	362/84
6,061,160	A *	5/2000	Maruyama	398/201
6,770,498	B2 *	8/2004	Hsu	438/26
D515,045	S	2/2006	Suenaga	
D517,027	S *	3/2006	Suenaga	D13/180
7,081,644	B2 *	7/2006	Flaherty et al.	257/98
7,153,000	B2 *	12/2006	Park et al.	362/268
7,211,835	B2 *	5/2007	Ono	257/99
D578,226	S *	10/2008	West et al.	D26/1
D578,671	S *	10/2008	Kanayama et al.	D26/1
2004/0136197	A1 *	7/2004	Ishida	362/487
2004/0196663	A1 *	10/2004	Ishida et al.	362/539

2004/0201987	A1 *	10/2004	Omata	362/230
2006/0198162	A1 *	9/2006	Ishidu et al.	362/623
2007/0205419	A1 *	9/2007	Ono et al.	257/79
2008/0054280	A1 *	3/2008	Reginelli et al.	257/98
2008/0054286	A1 *	3/2008	Loh et al.	257/98
2008/0087907	A1 *	4/2008	Park et al.	257/98

* cited by examiner

Primary Examiner—Selina Sikder

(74) *Attorney, Agent, or Firm*—Patent Law Group LLP; Brian D. Ogonowsky

(57) **CLAIM**

The ornamental design for a LED package, substantially as shown and described.

DESCRIPTION

FIG. 1 is a perspective view from above the LED package in accordance with our design.

FIG. 2 is a left side elevational view of the LED package of FIG. 1 in accordance with our design. The right side elevational view is a mirror image of the left side elevational view.

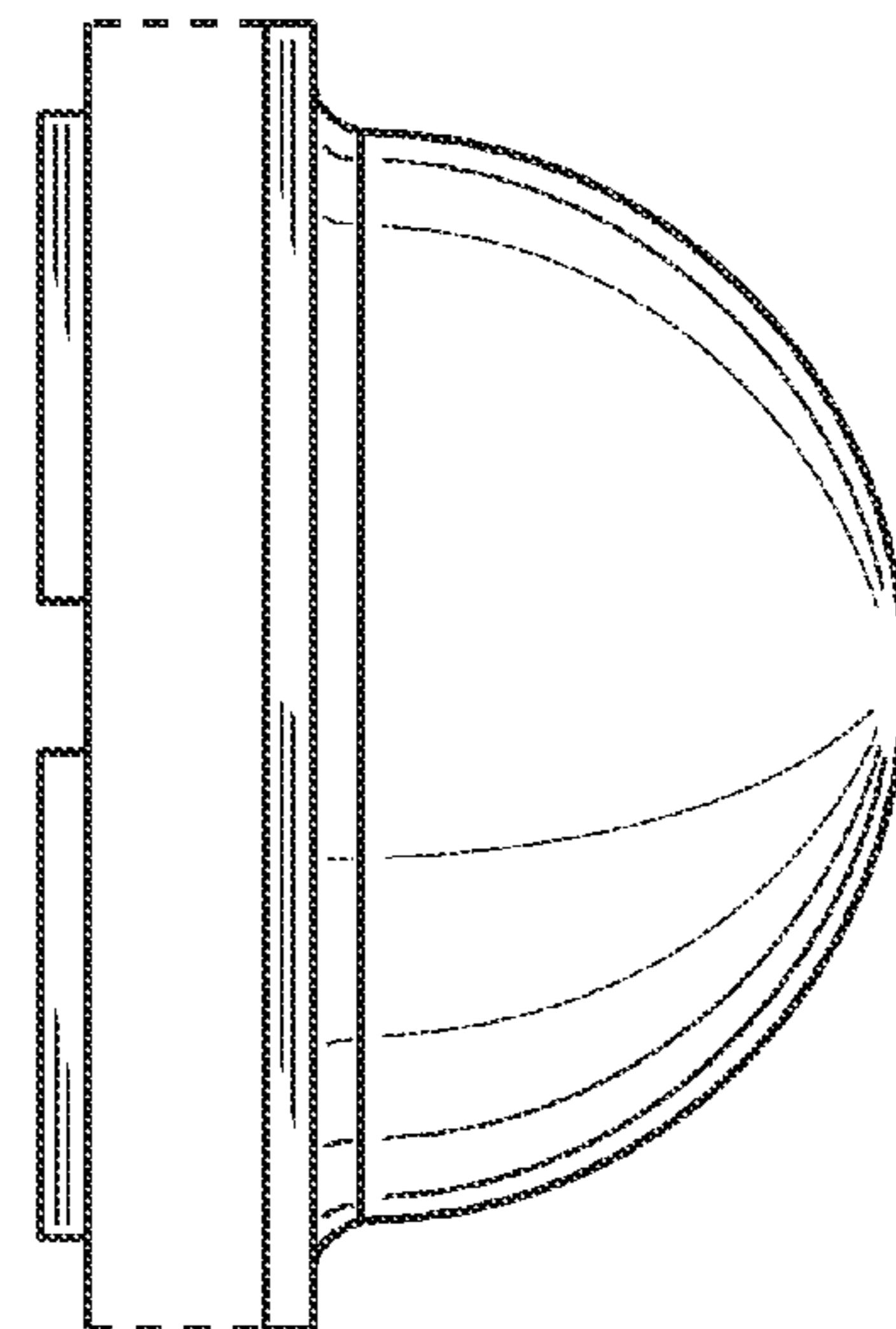
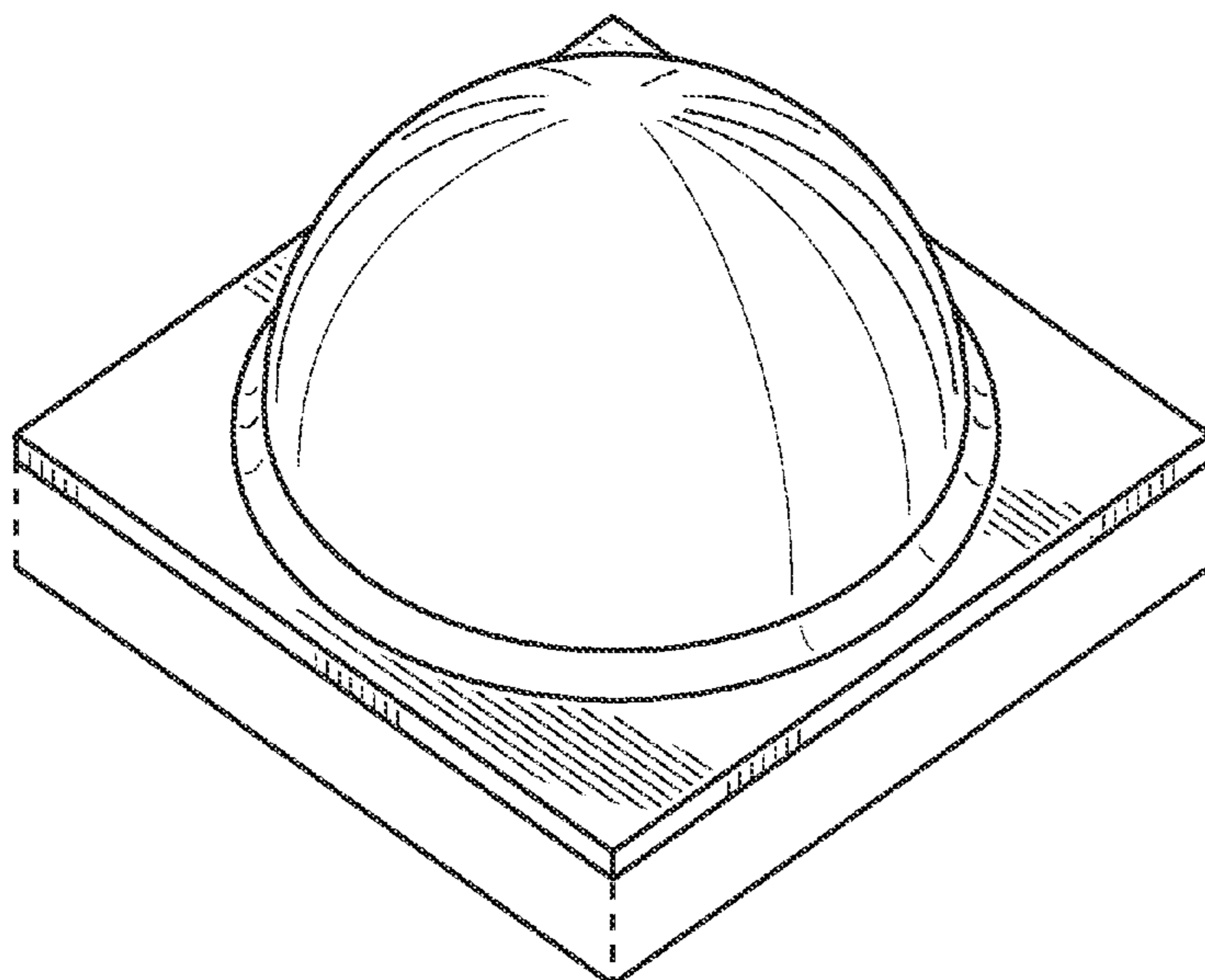
FIG. 3 is a top plan view of the LED package of FIG. 1 in accordance with our design.

FIG. 4 is a front elevation view of the LED package of FIG. 1 in accordance with our design. The rear elevation view is a mirror image of the front elevation view; and,

FIG. 5 is a bottom plan view of the LED package of FIG. 1 in accordance with our design.

The broken lines showing an environment of the design are for illustrative purposes and form no part of the claimed design.

1 Claim, 2 Drawing Sheets



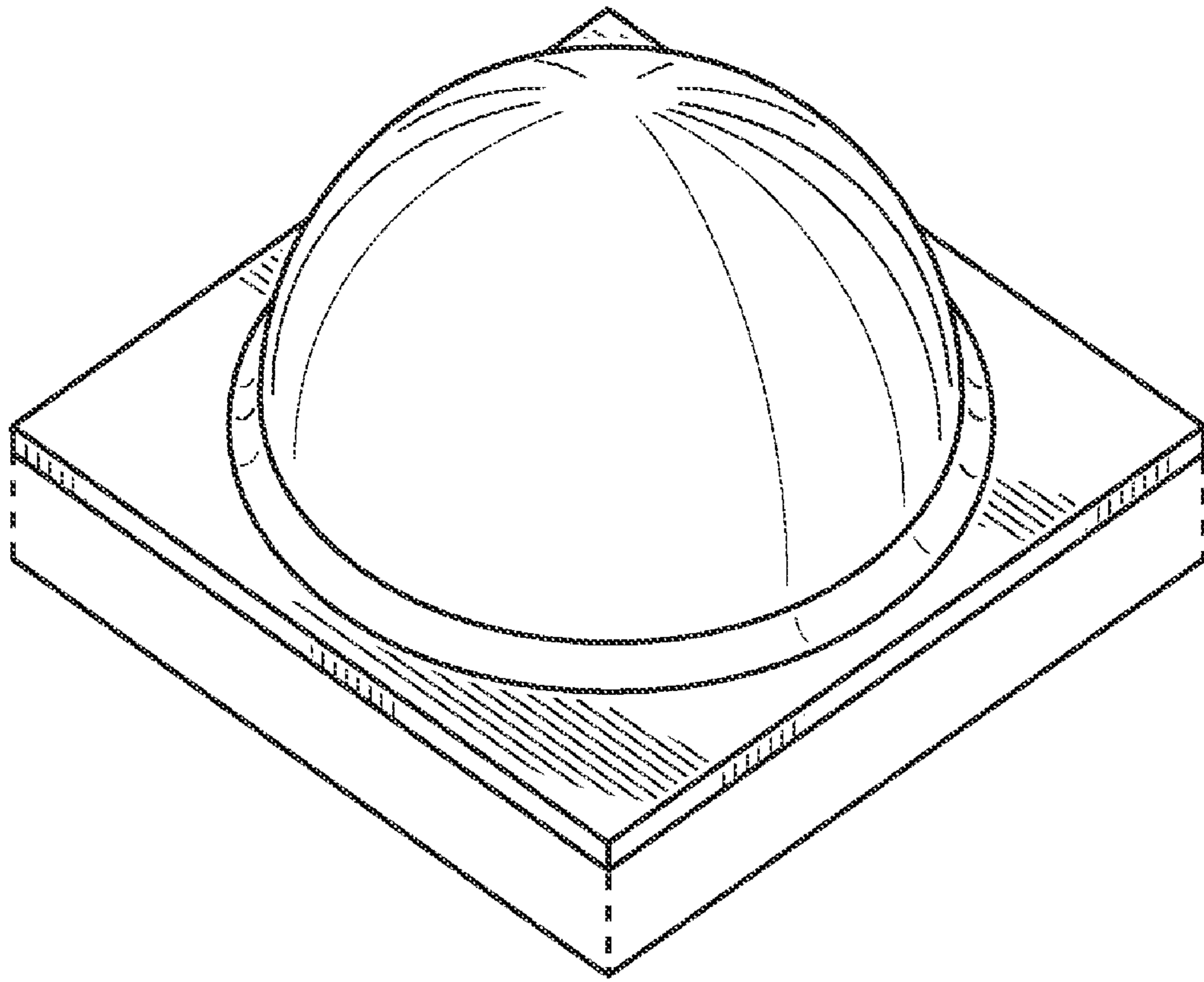


FIG. 1

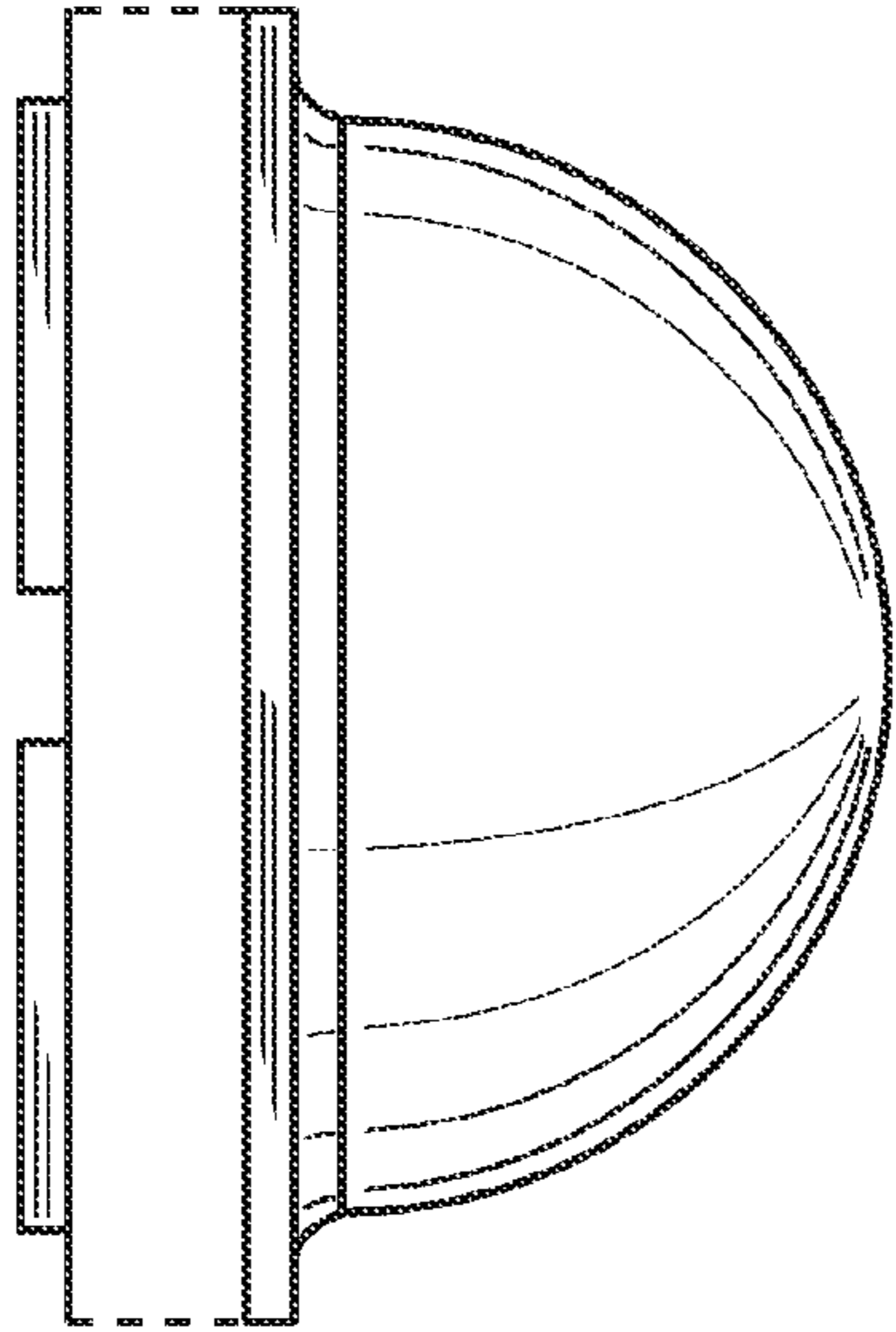


FIG. 2

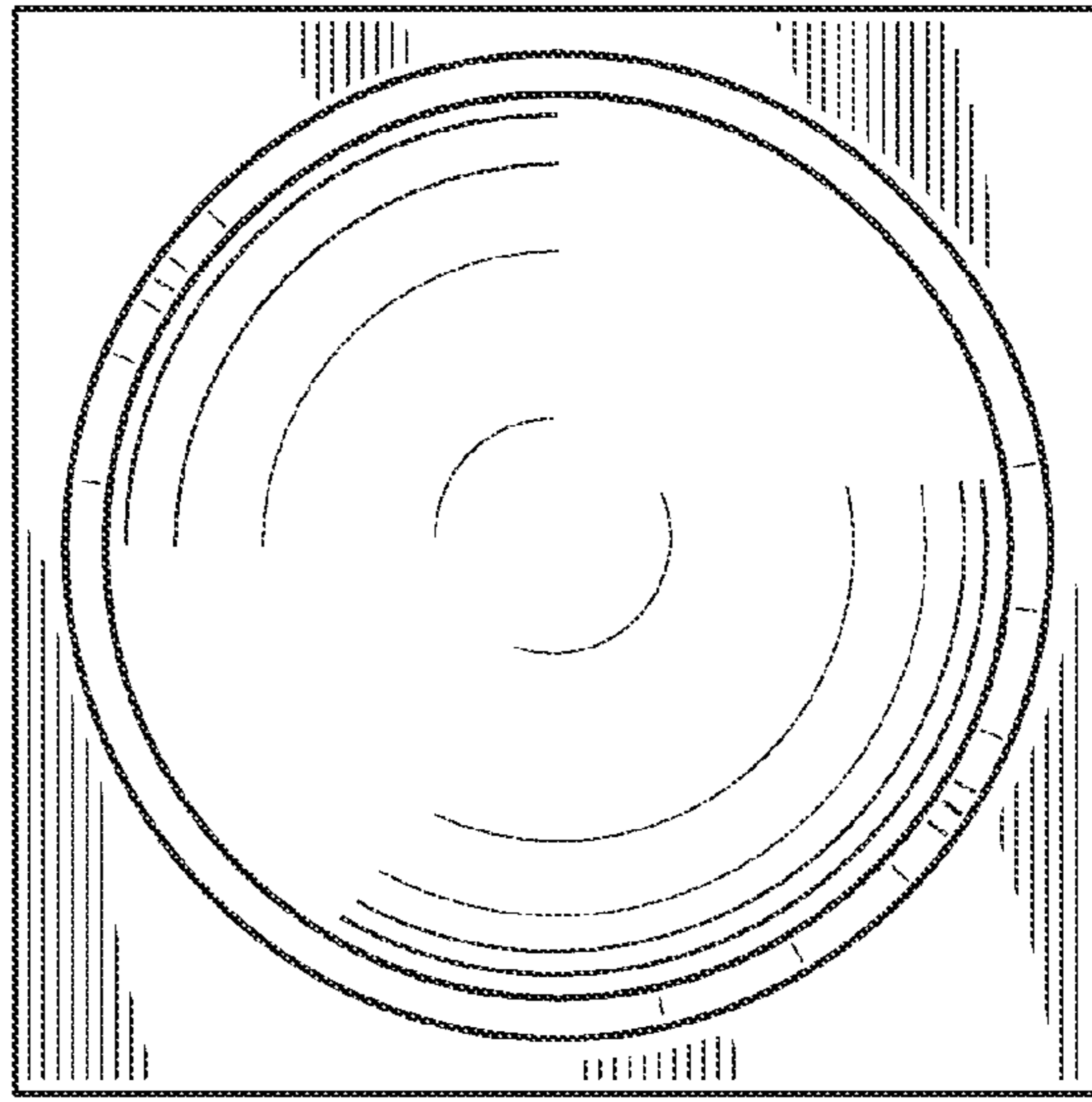


FIG. 3

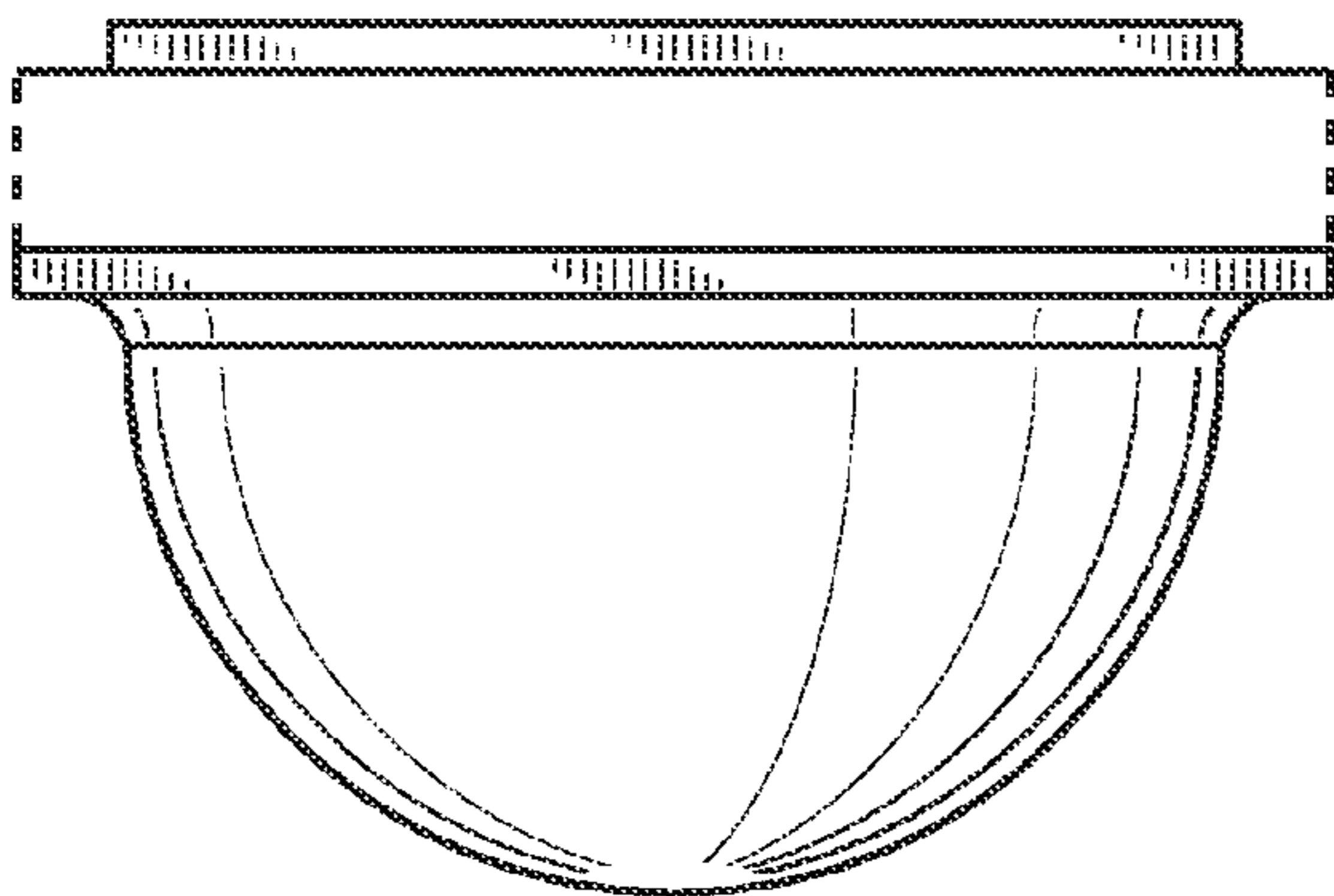


FIG. 4

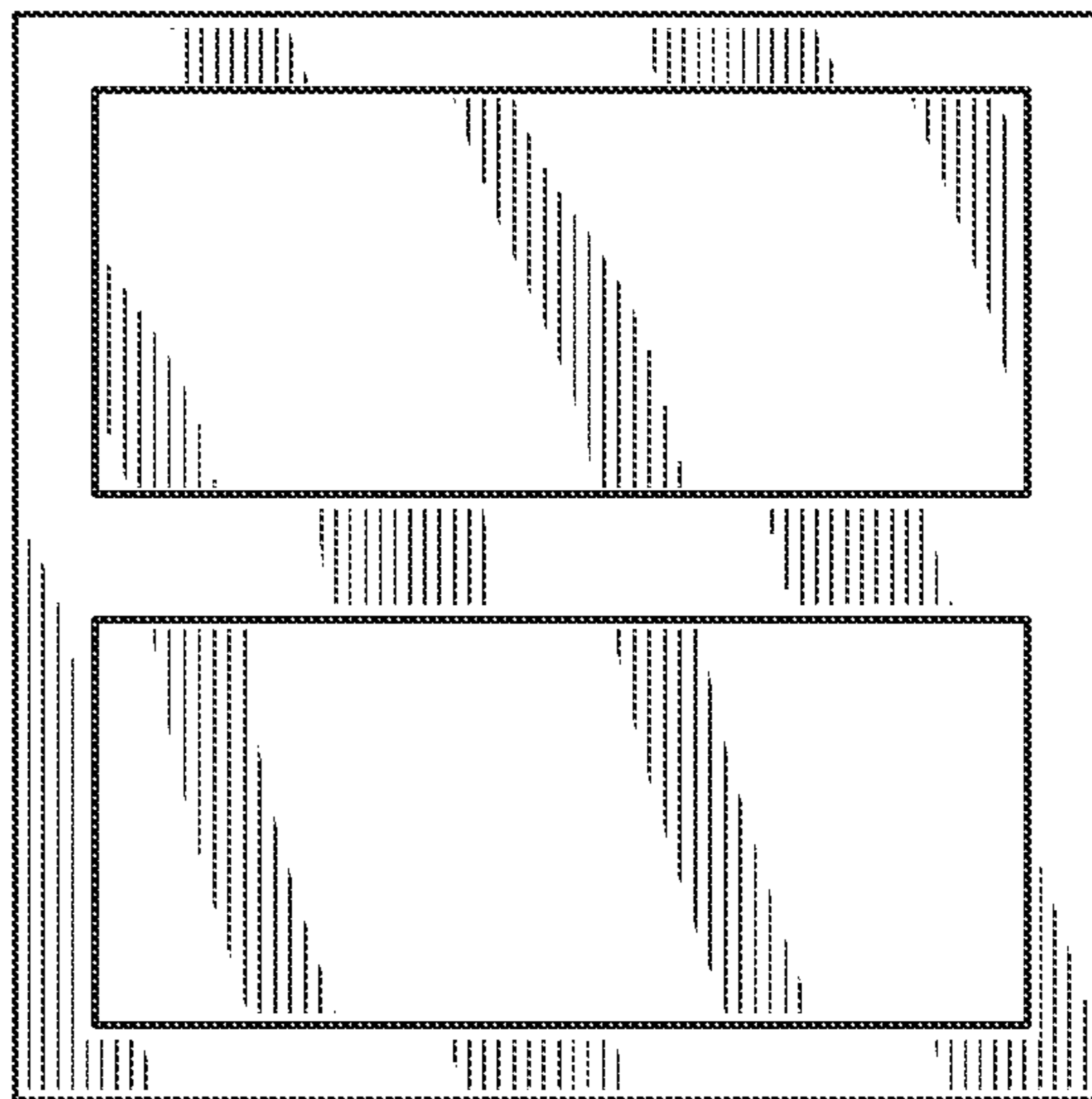


FIG. 5