



US00D598870S

(12) **United States Design Patent**  
**Asada**

(10) **Patent No.:** **US D598,870 S**  
(45) **Date of Patent:** **\*\* Aug. 25, 2009**

(54) **PUSH-BUTTON SWITCH**

(75) Inventor: **Makoto Asada**, Yao (JP)  
(73) Assignee: **Hosiden Corporation**, Osaka (JP)  
(\*\*) Term: **14 Years**  
(21) Appl. No.: **29/323,826**  
(22) Filed: **Sep. 2, 2008**

(51) **LOC (9) Cl.** ..... **13-03**  
(52) **U.S. Cl.** ..... **D13/171**  
(58) **Field of Classification Search** ..... D13/158,  
D13/171; 174/66; 200/5 R, 5 A, 1 B, 293,  
200/296, 329, 406, 513, 520, 530, 302.1,  
200/302.2, 314, 315, 341, 344; 315/291-296;  
338/198-200

See application file for complete search history.

(56) **References Cited**

**U.S. PATENT DOCUMENTS**

D301,136 S \* 5/1989 Saito ..... D13/171  
4,987,278 A \* 1/1991 Tsutsumi ..... 200/294  
6,995,324 B2 \* 2/2006 Asada ..... 200/1 B  
7,057,128 B1 \* 6/2006 Oyagi et al. .... 200/406  
D533,144 S \* 12/2006 Asada ..... D13/171  
D568,256 S \* 5/2008 Asada ..... D13/158  
D590,782 S \* 4/2009 Asada ..... D13/170  
2006/0131153 A1 \* 6/2006 Asada ..... 200/341  
2008/0128255 A1 \* 6/2008 Villain et al. .... 200/520

\* cited by examiner

*Primary Examiner*—Selina Sikder  
(74) *Attorney, Agent, or Firm*—Panitch Schwarze Belisario & Nadel LLP

(57) **CLAIM**

The ornamental design for a push-button switch, as shown and described.

**DESCRIPTION**

FIG. 1 is a front, right side and bottom perspective view of a push-button switch in accordance with a first embodiment of my new design;  
FIG. 2 is a rear, right side and top perspective view of the push-button switch in accordance with the first embodiment of my new design;  
FIG. 3 is a front elevation view of the push-button switch in accordance with the first embodiment of my new design;  
FIG. 4 is a rear view of the push-button switch in accordance with the first embodiment of my new design;  
FIG. 5 is a left side view of the push-button switch in accordance with the first embodiment of my new design;  
FIG. 6 is a right side view of the push-button switch in accordance with the first embodiment of my new design;  
FIG. 7 is a top plan view of the push-button switch in accordance with the first embodiment of my new design;  
FIG. 8 is a bottom plan view of the push-button switch in accordance with the first embodiment of my new design;  
FIG. 9 is a front, right side and bottom perspective view of a push-button switch in accordance with a second embodiment of my new design;  
FIG. 10 is a rear, right side and top perspective view of the push-button switch in accordance with the second embodiment of my new design;  
FIG. 11 is a front elevation view of the push-button switch in accordance with the second embodiment of my new design;  
FIG. 12 is a rear view of the push-button switch in accordance with the second embodiment of my new design;  
FIG. 13 is a left side view of the push-button switch in accordance with the second embodiment of my new design;  
FIG. 14 is a right side view of the push-button switch in accordance with the second embodiment of my new design;  
FIG. 15 is a top plan view of the push-button switch in accordance with the second embodiment of my new design; and,  
FIG. 16 is a bottom plan view of the push-button switch in accordance with the second embodiment of my new design.

**1 Claim, 6 Drawing Sheets**

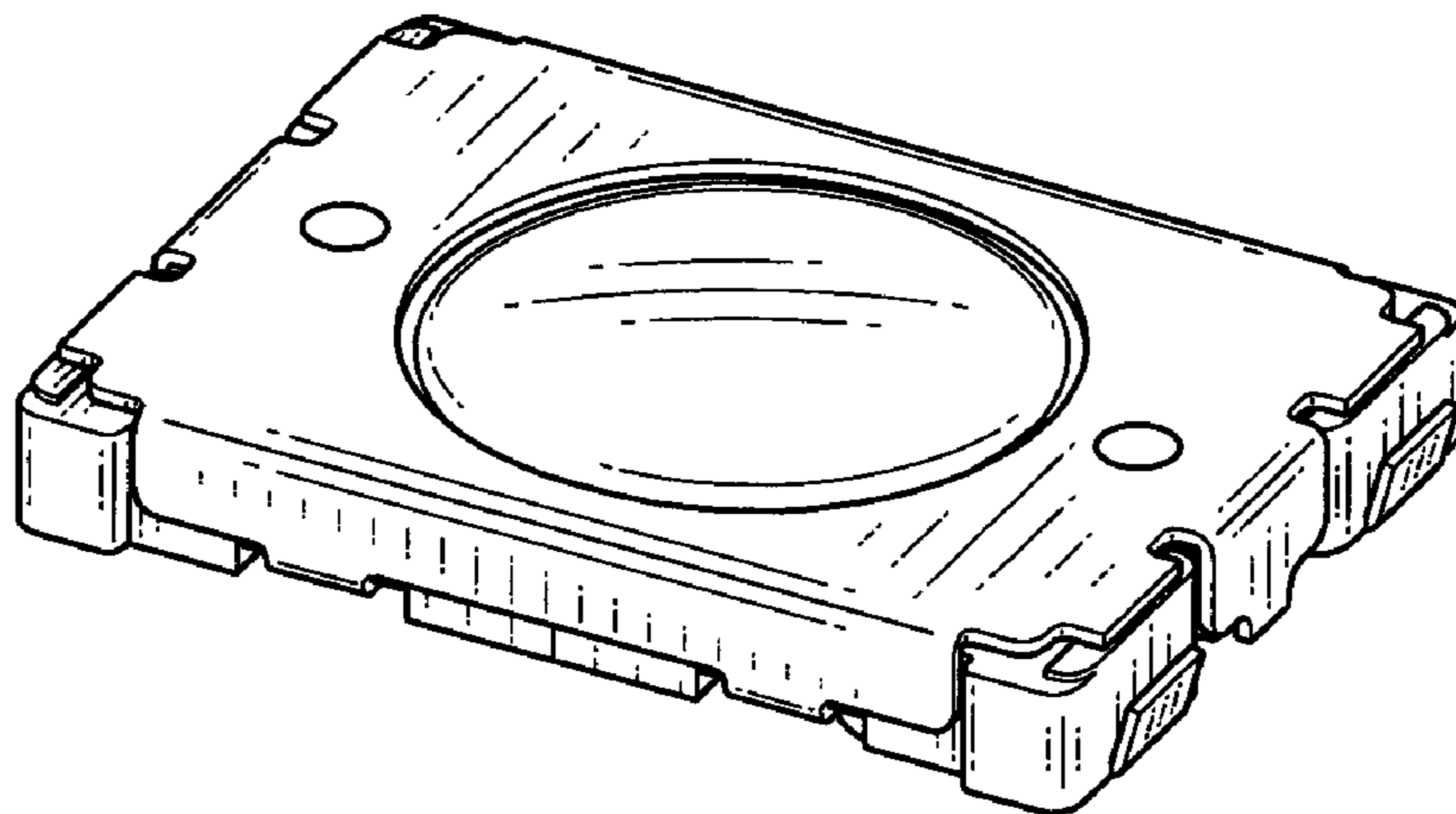


Fig. 1

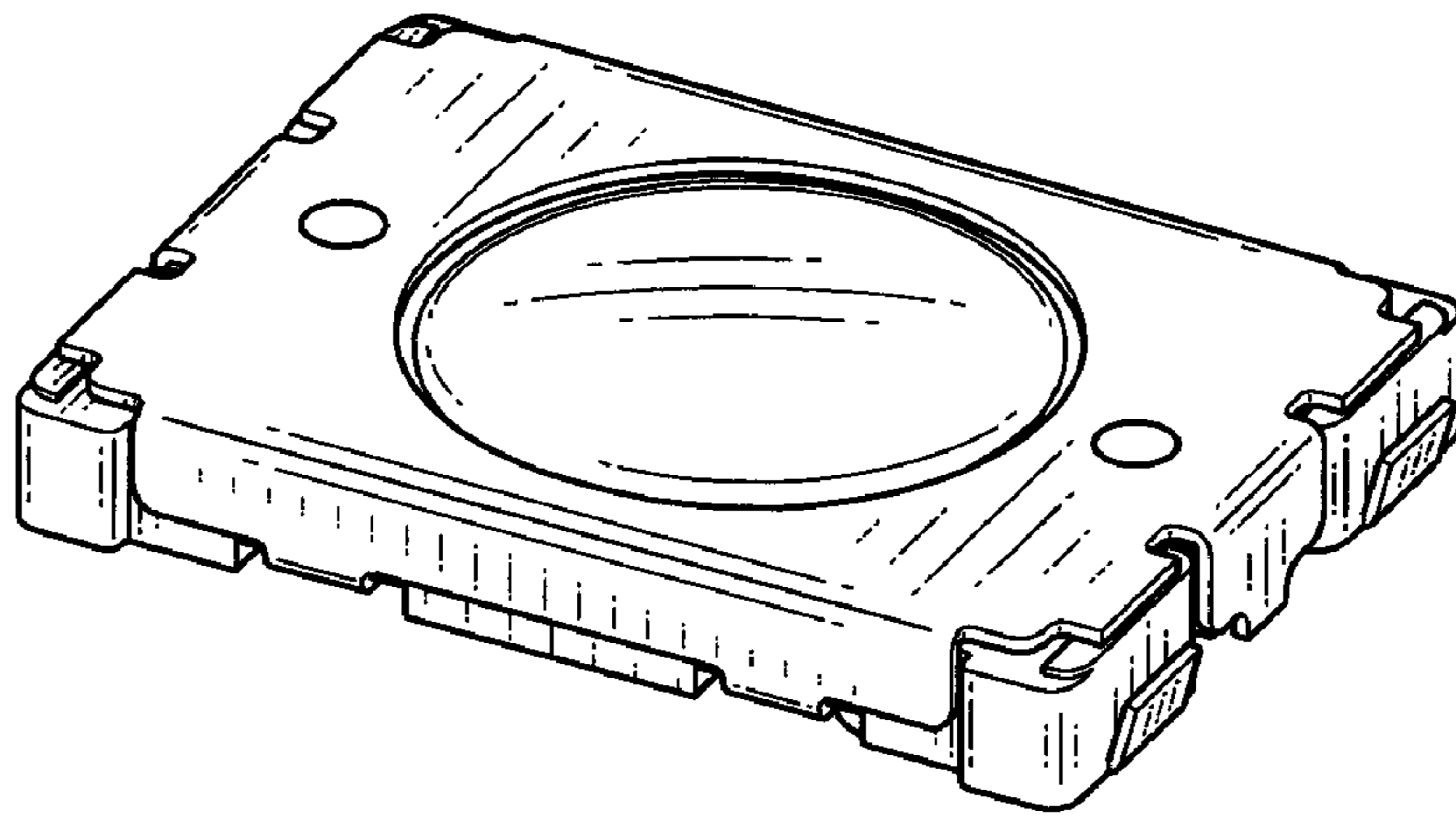


Fig. 2

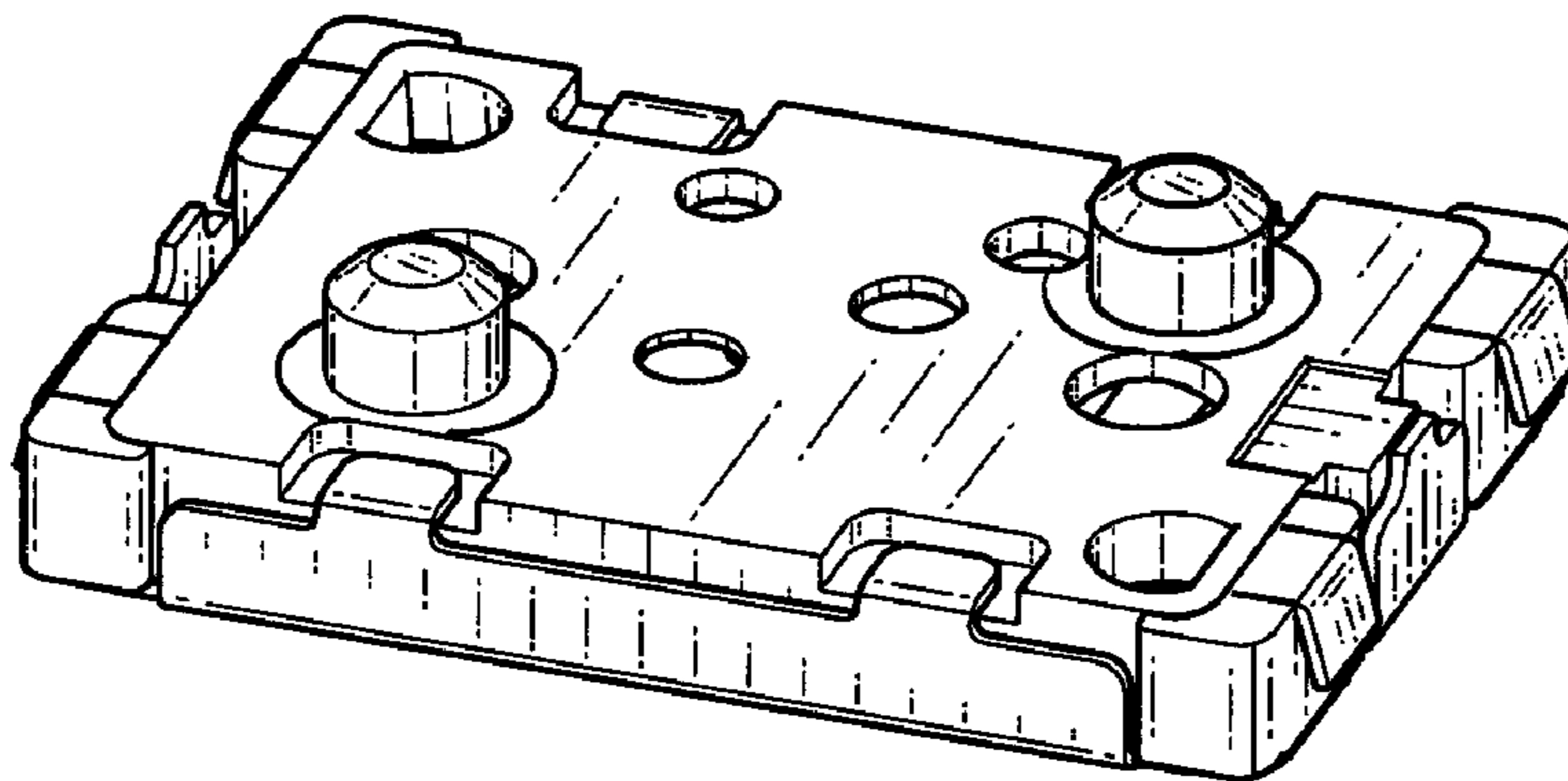


Fig. 3

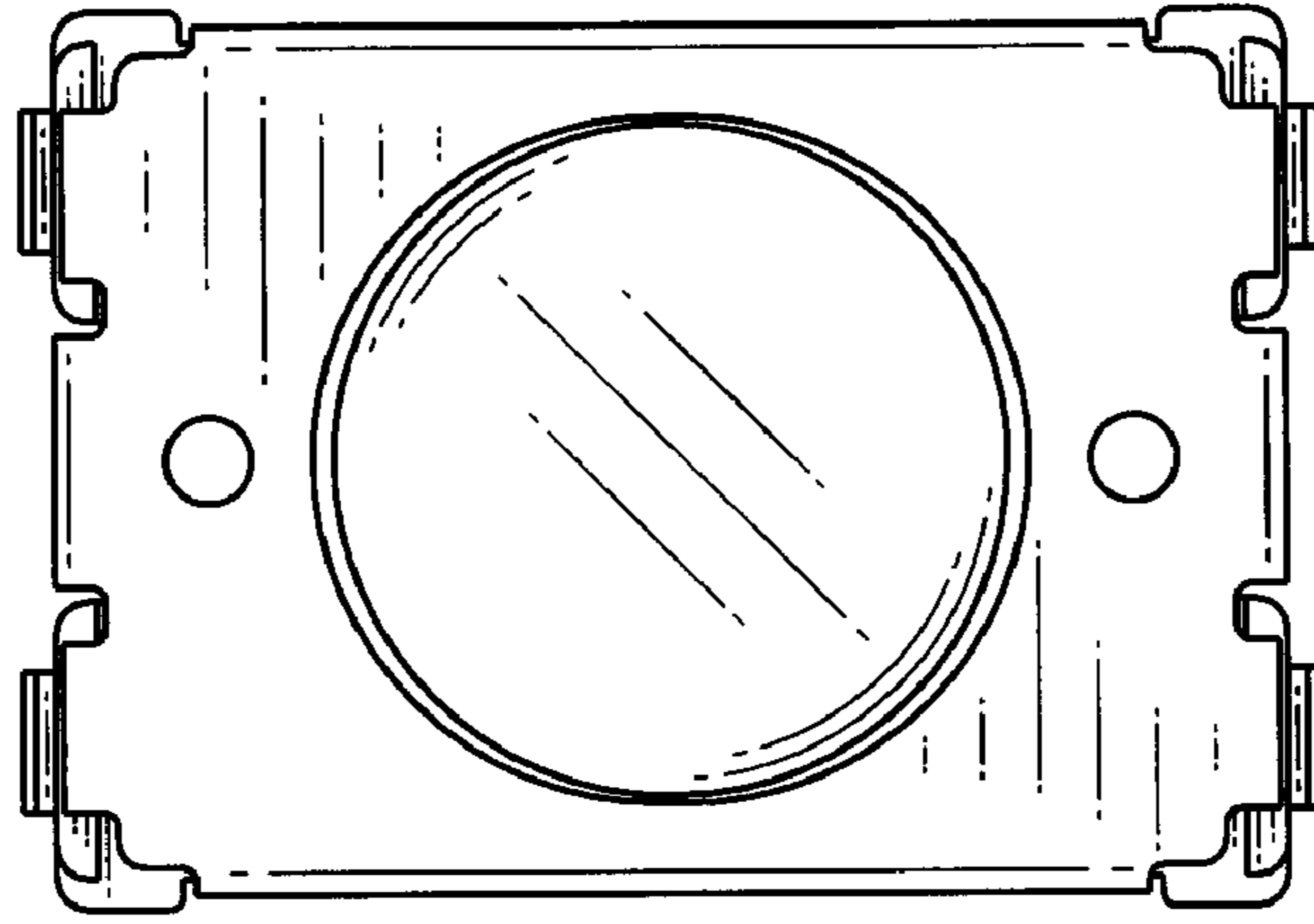


Fig. 4

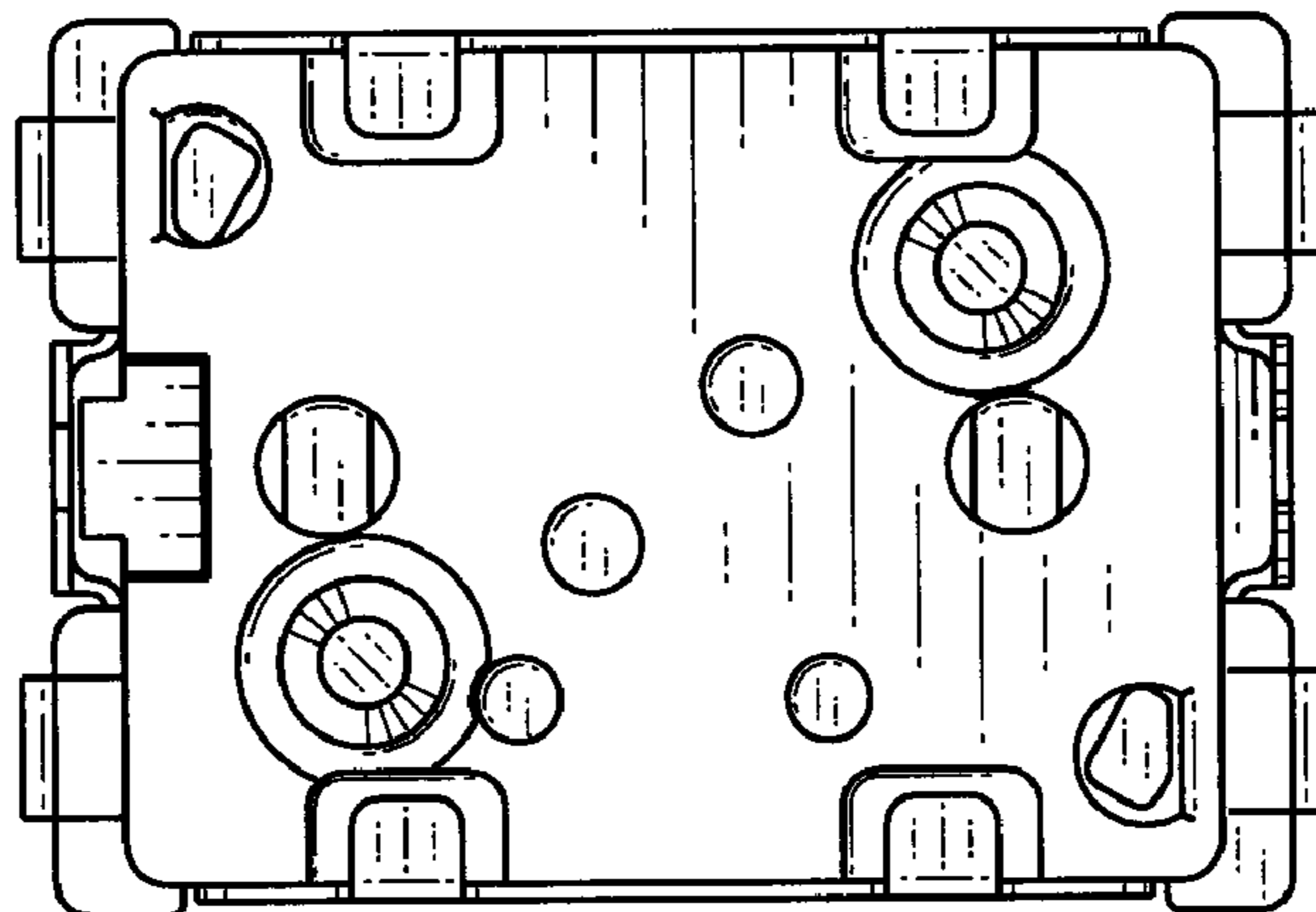


Fig. 5

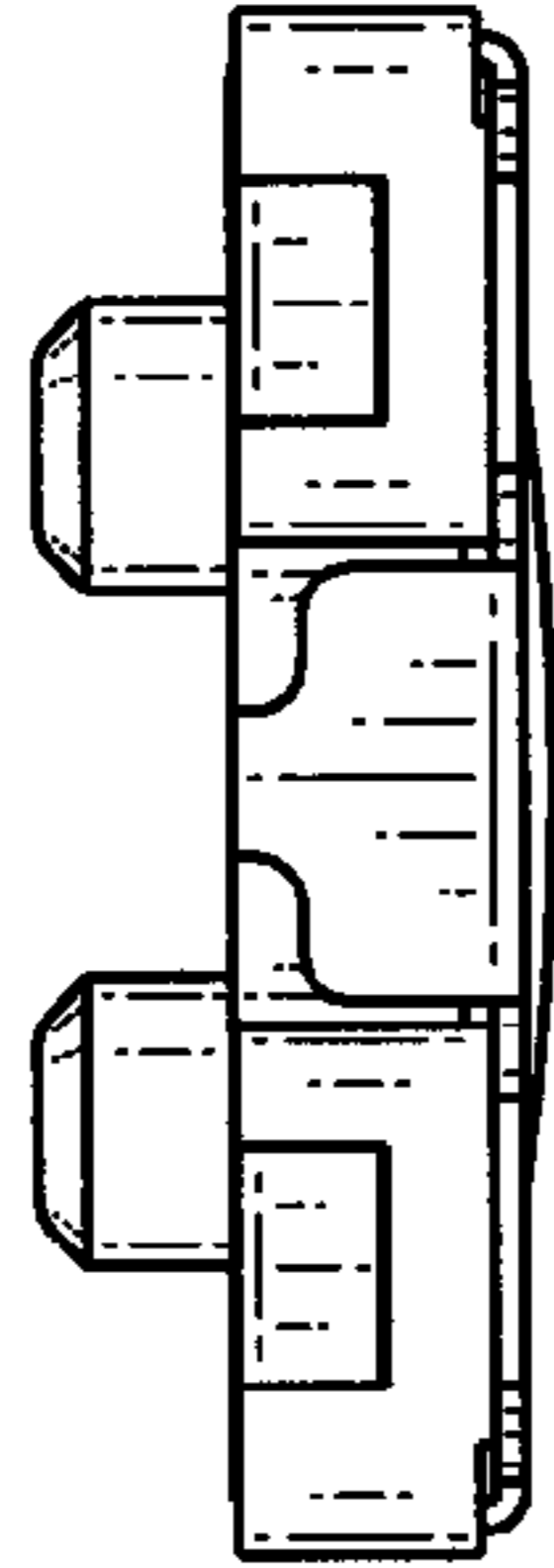


Fig. 6

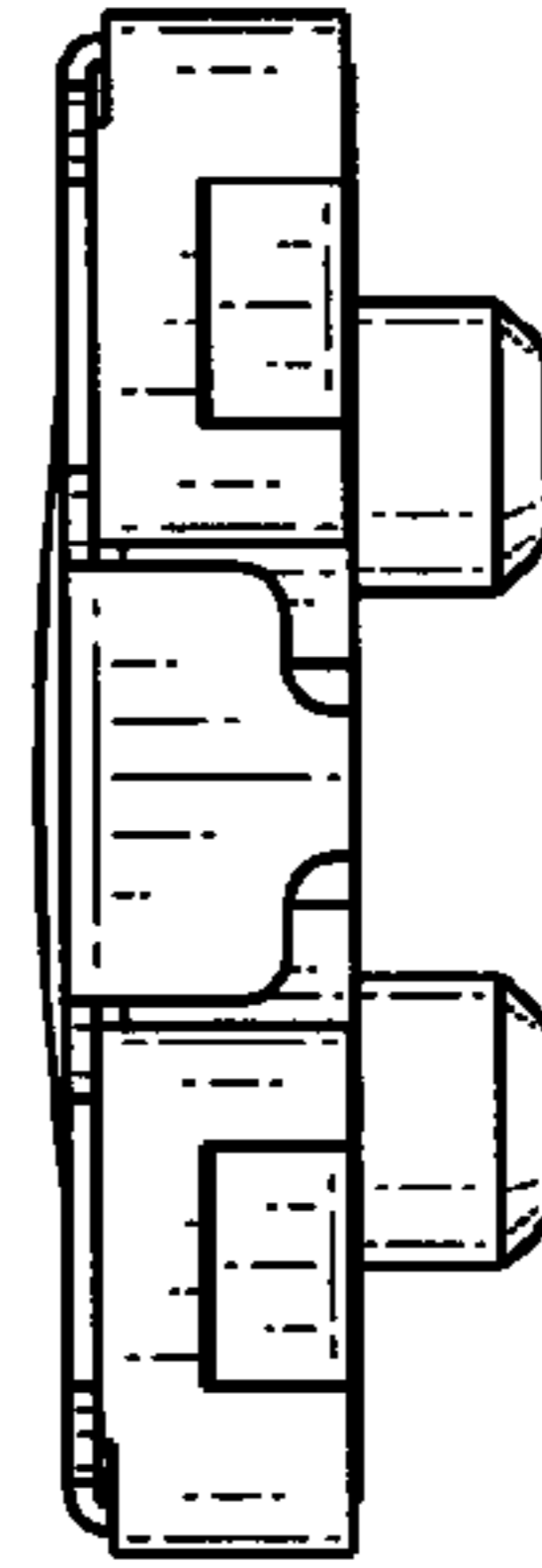


Fig. 7

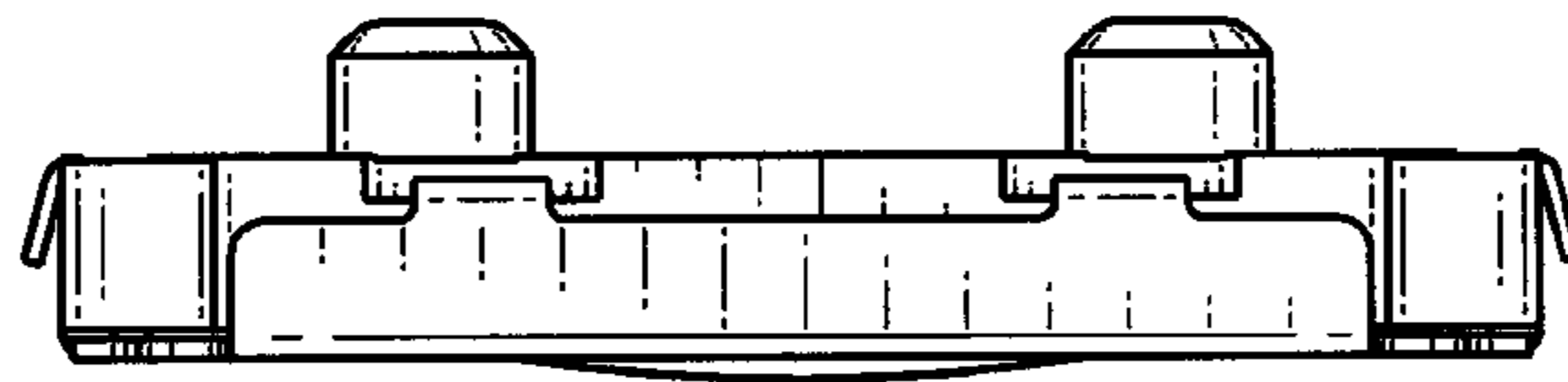


Fig. 8

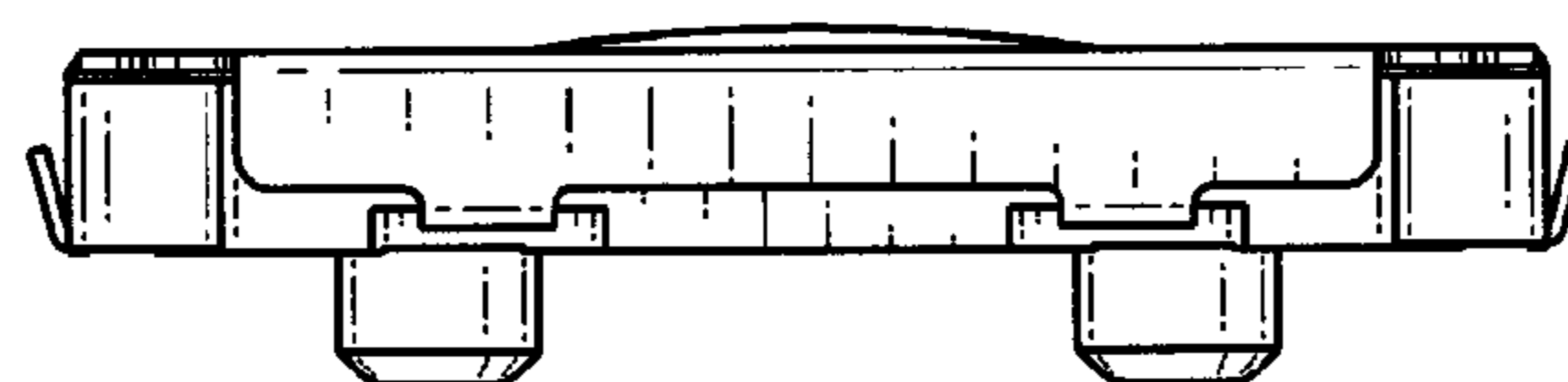


Fig. 9

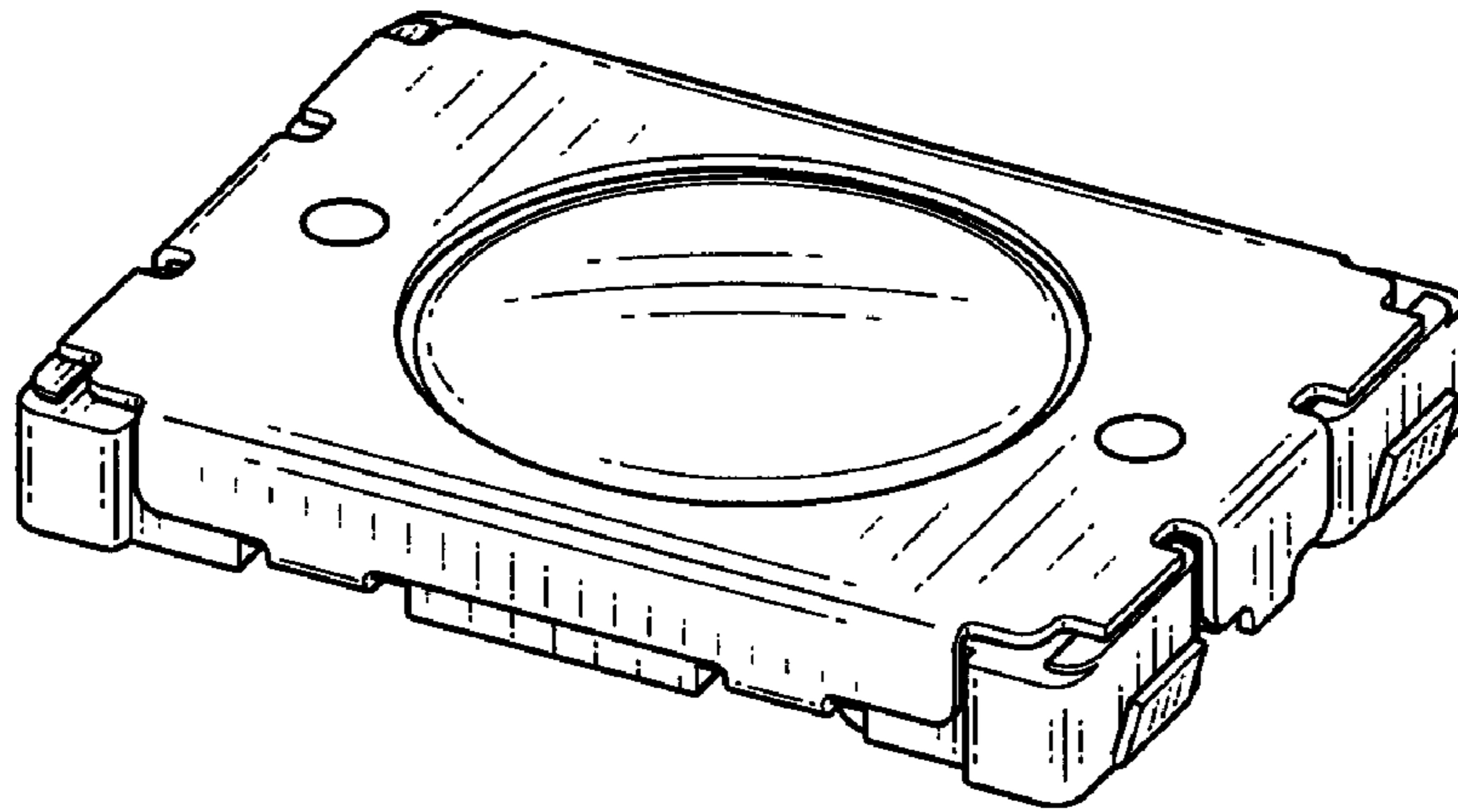


Fig. 10

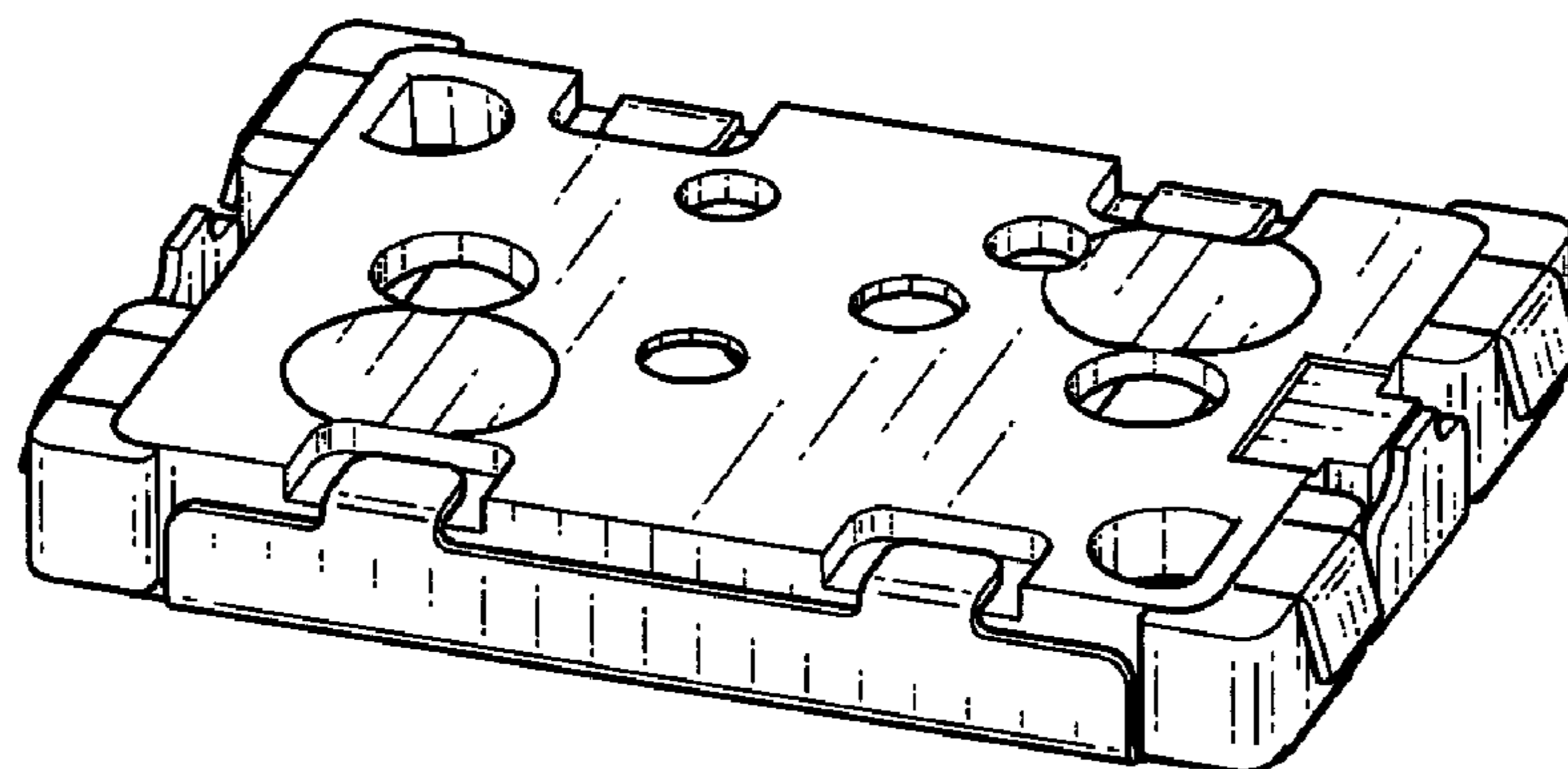


Fig. 11

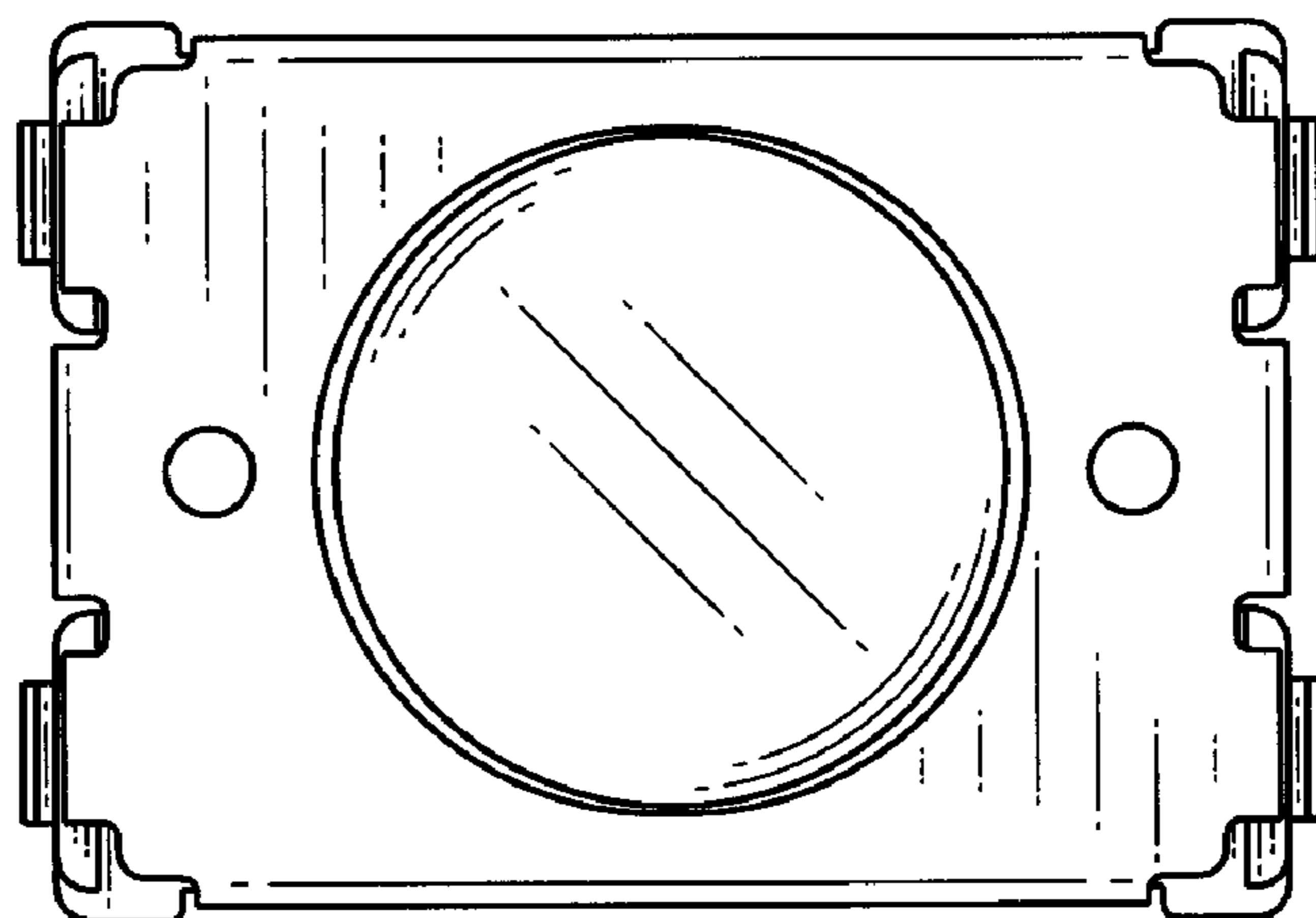


Fig. 12

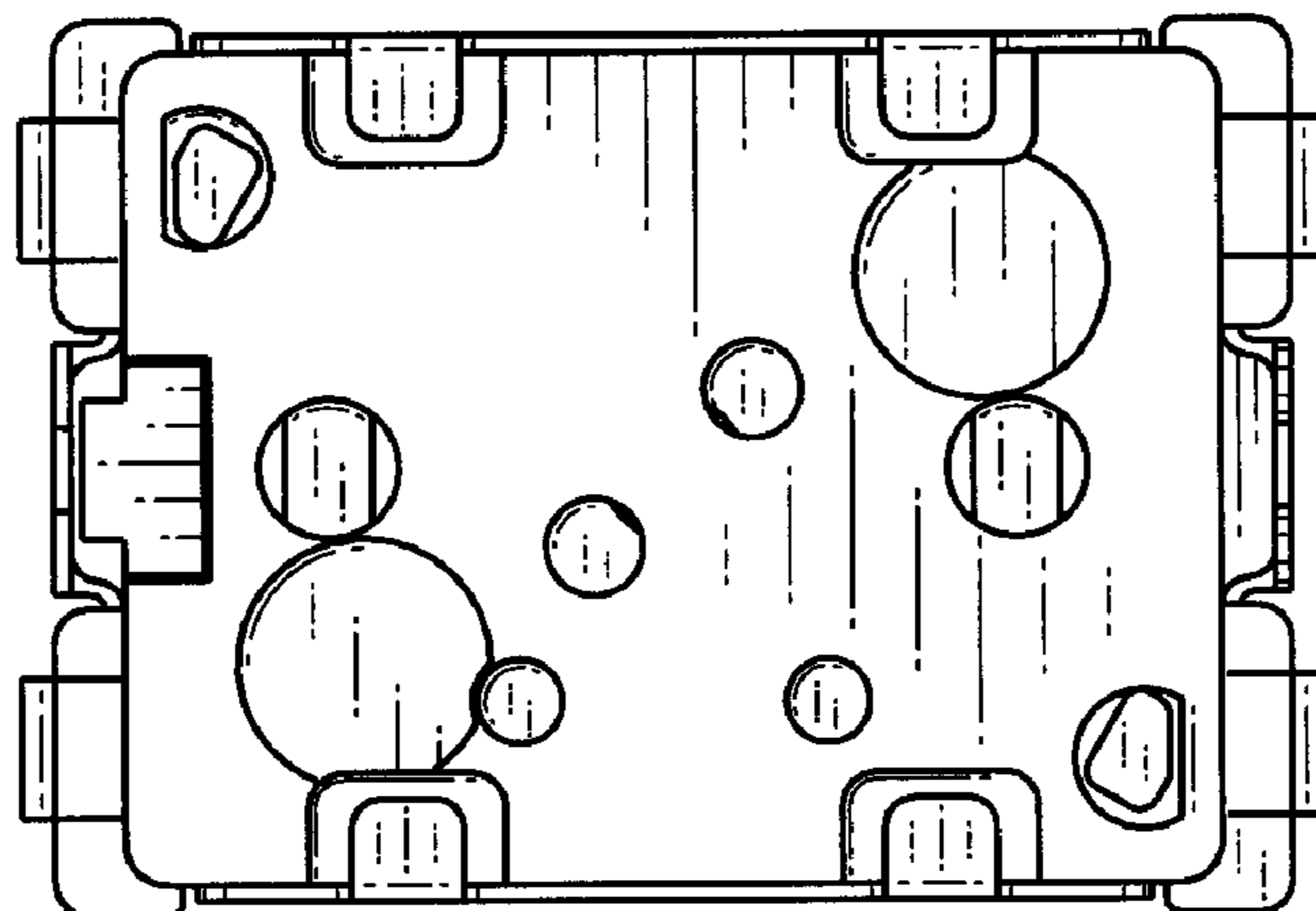


Fig. 13



Fig. 14



Fig. 15



Fig. 16

