



US00D598868S

(12) **United States Design Patent**
Nishiyama et al.

(10) **Patent No.:** **US D598,868 S**

(45) **Date of Patent:** **** Aug. 25, 2009**

(54) **SWITCH**

(75) Inventors: **Tohru Nishiyama**, Hirakata (JP);
Kanako Murayama, Takatsuki (JP)

(73) Assignee: **Panasonic Electric Works Co., Ltd.**,
Osaka (JP)

(**) Term: **14 Years**

(21) Appl. No.: **29/310,136**

(22) Filed: **Jul. 28, 2008**

(30) **Foreign Application Priority Data**

Jan. 28, 2008 (JP) 2008-001565

(51) **LOC (9) Cl.** **13-03**

(52) **U.S. Cl.** **D13/164**

(58) **Field of Classification Search** D13/162,
D13/164, 169, 170, 171, 184, 199; D10/108,
D10/116, 118; D8/353; 200/5 A, 5 R, 293,
200/296, 297, 329, 333, 335, 339, 341, 520,
200/530, 537, 552; 220/241; 307/125, 139;
315/291–296

See application file for complete search history.

(56) **References Cited**

U.S. PATENT DOCUMENTS

D310,819 S *	9/1990	Watson et al.	D13/125
D435,023 S *	12/2000	Carson et al.	D13/177
D442,558 S *	5/2001	Mayo et al.	D13/162
D533,511 S *	12/2006	Nakashima et al.	D13/164
D558,686 S *	1/2008	Bhate et al.	D13/162
D563,904 S *	3/2008	Patel et al.	D13/164

* cited by examiner

Primary Examiner—Daniel D Bui

Assistant Examiner—Thomas J Johannes

(74) *Attorney, Agent, or Firm*—Osha • Liang LLP

(57) **CLAIM**

The ornamental design for a switch, as shown and described.

DESCRIPTION

FIG. 1 is a perspective view of the design for a switch according to the invention.

FIG. 2 is a front view of the design according to the invention.

FIG. 3 is a right side view of the design according to the invention.

FIG. 4 is a top view of the design according to the invention.

FIG. 5 is a rear view of the design according to the invention.

FIG. 6 is a bottom view of the design according to the invention.

FIG. 7 is a sectional view of the design along the line 7—7, which shifts at the middle of the line, in FIG. 2 according to the invention, where the internal components are omitted.

FIG. 8 is a sectional view of the design along the line 8—8 in FIG. 2 according to the invention where the internal components are omitted.

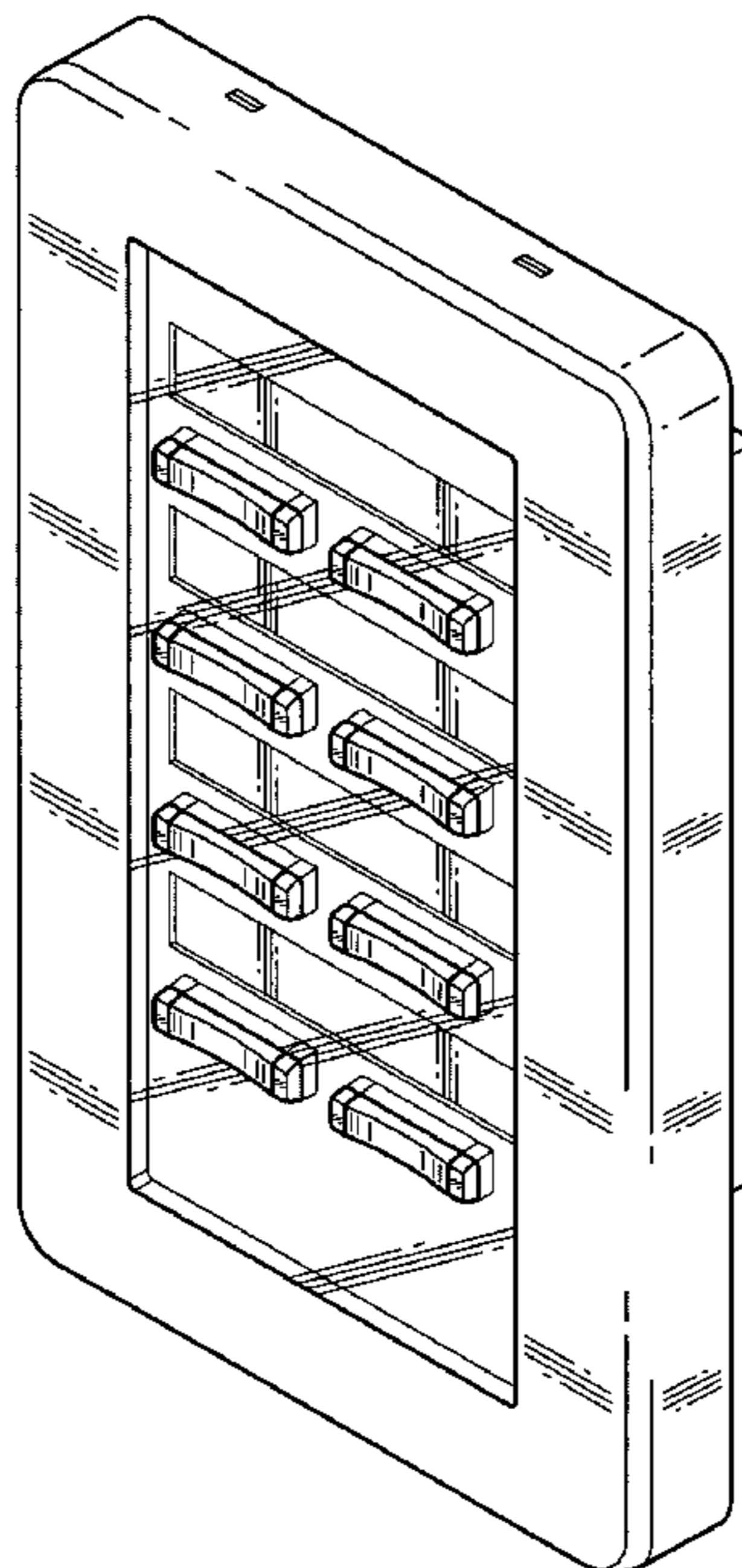
FIG. 9 is a top view of the design according to the invention in an alternative position, where the right top button is pushed; and,

FIG. 10 shows an enlarged view of the design according to the invention identified by the area boxed by dash-dot-dash line in FIG. 7.

A left side view of the design according to the invention is a mirror image of the right side view as shown in FIG. 3.

The elements shown in broken lines are for illustrative purposes only and form no part of the claimed invention.

1 Claim, 4 Drawing Sheets



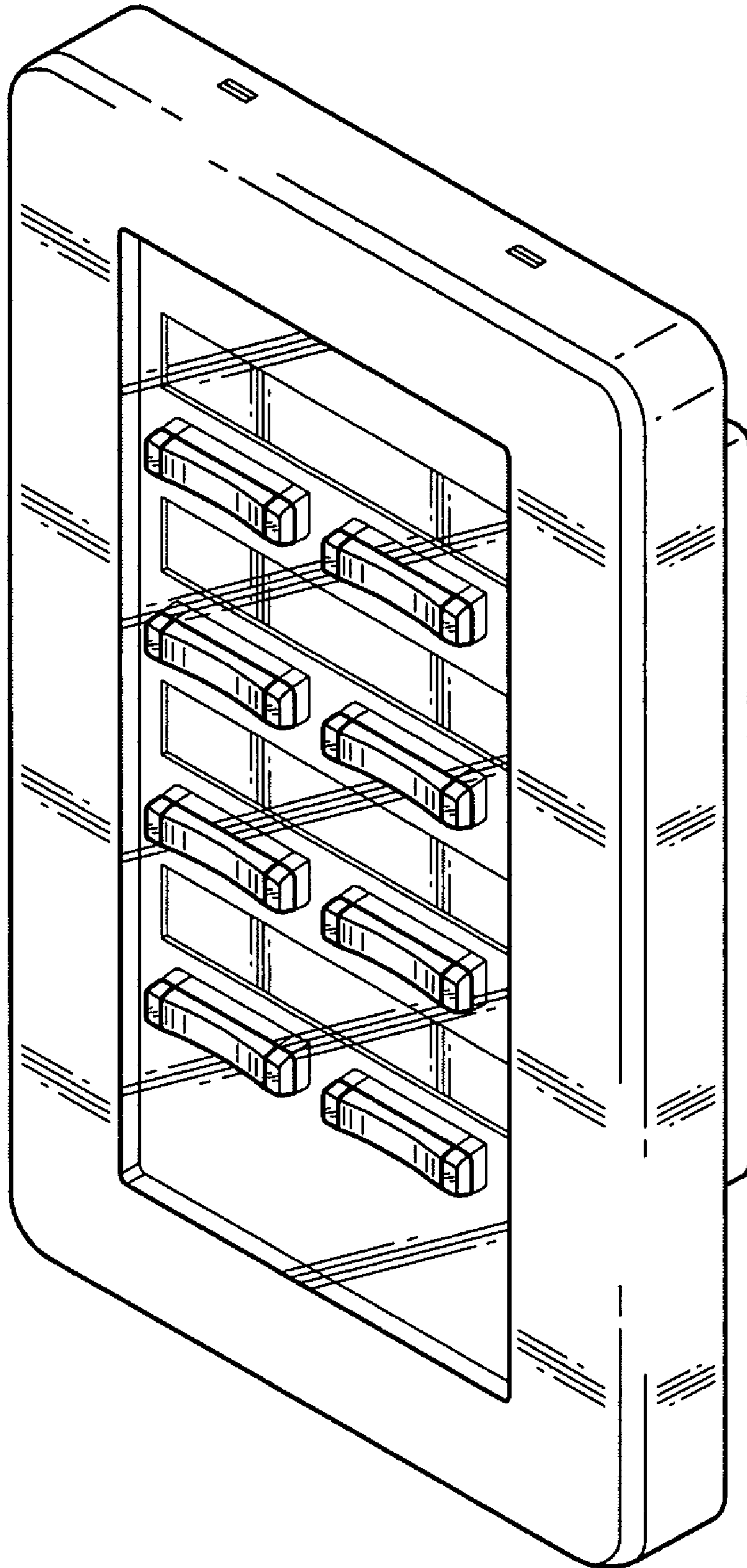


FIG. 1

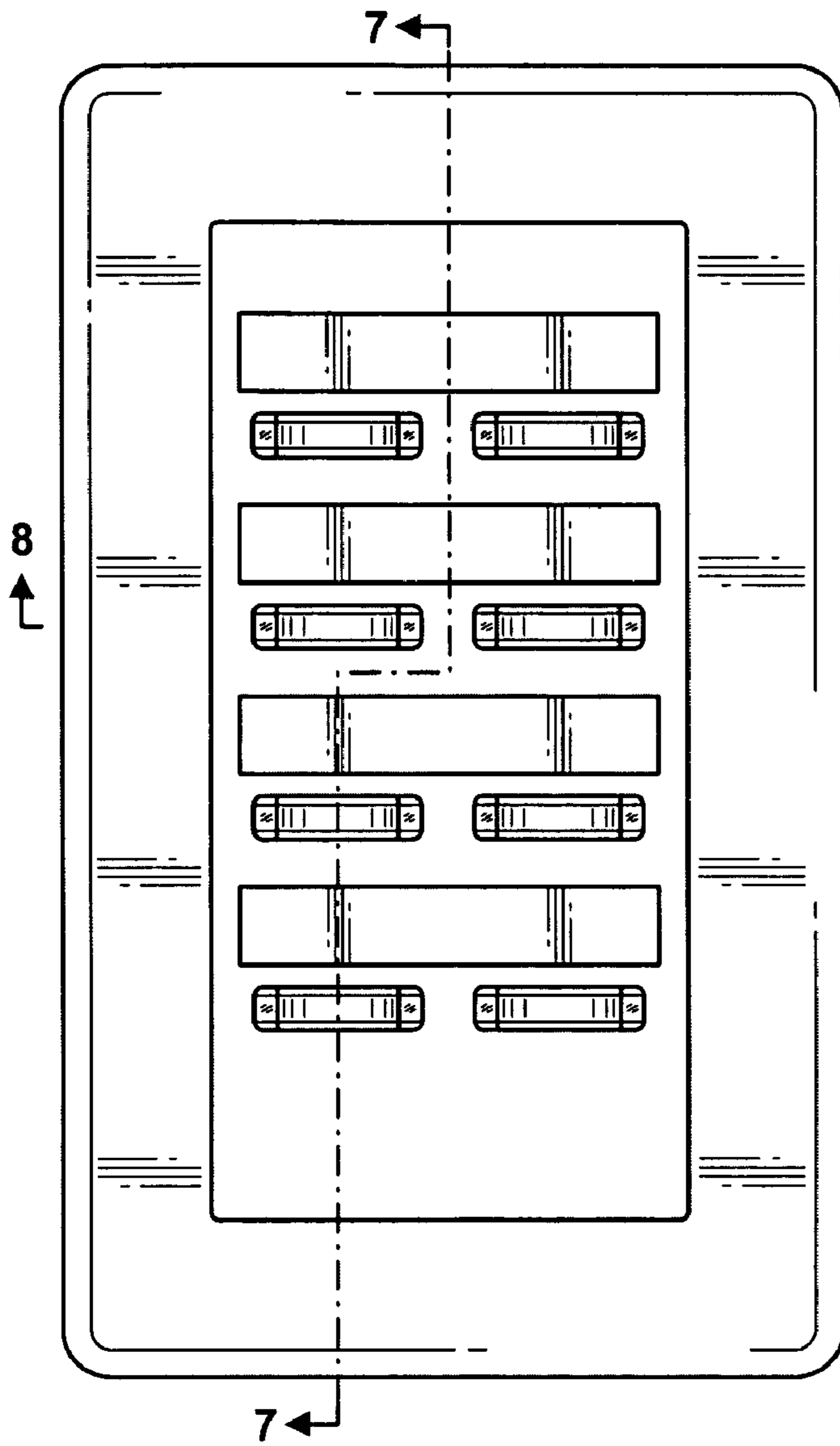


FIG. 2

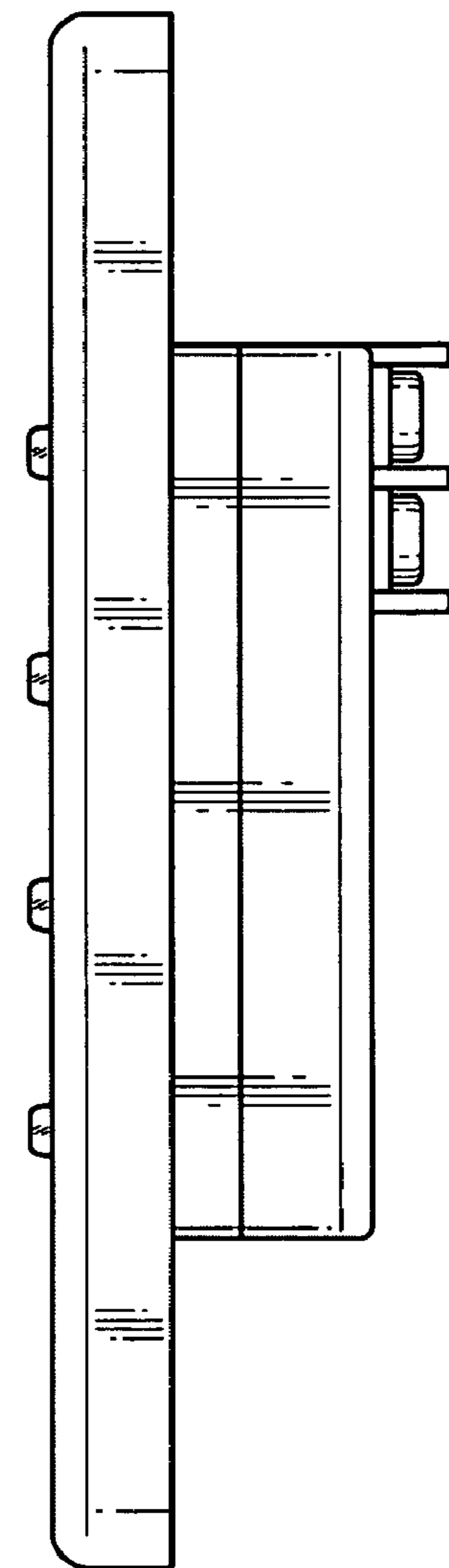


FIG. 3

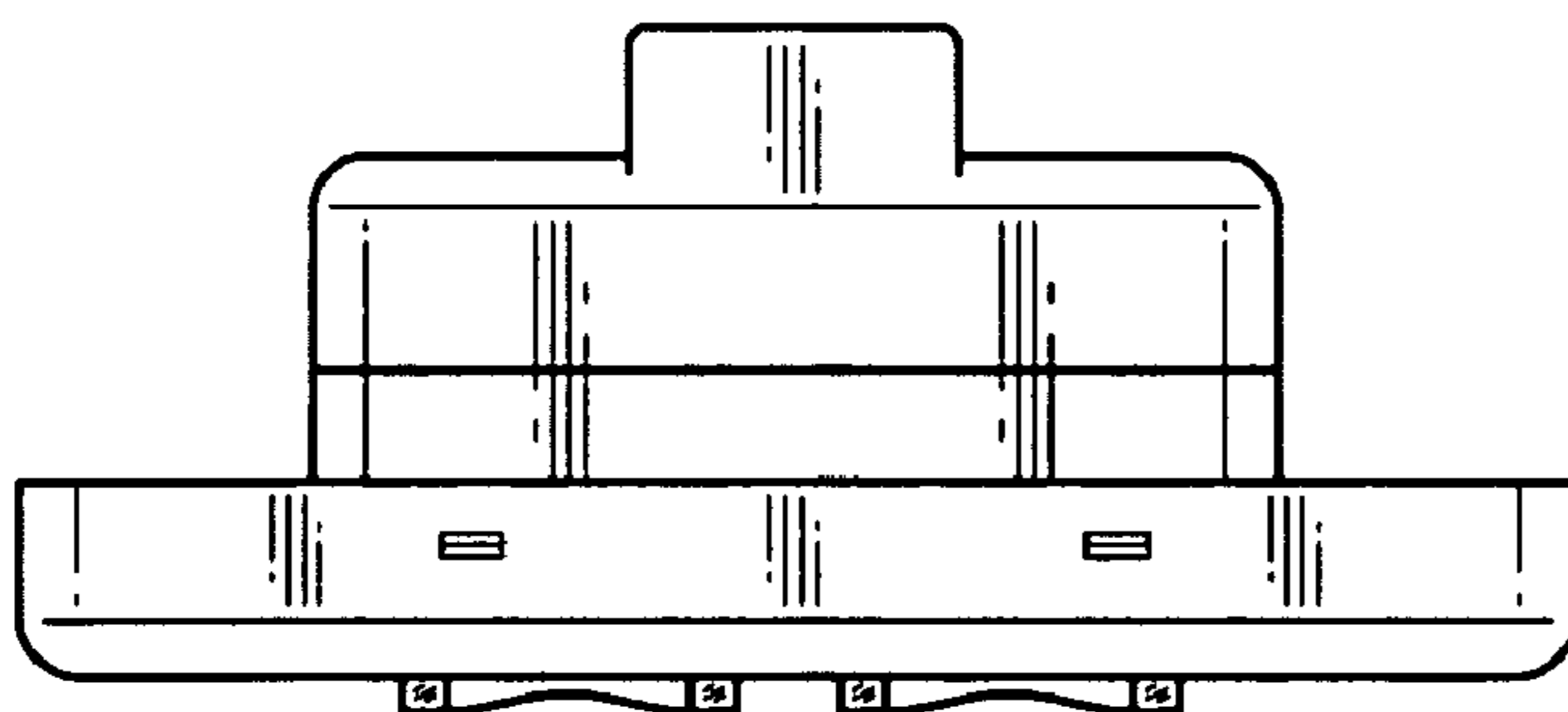


FIG. 4

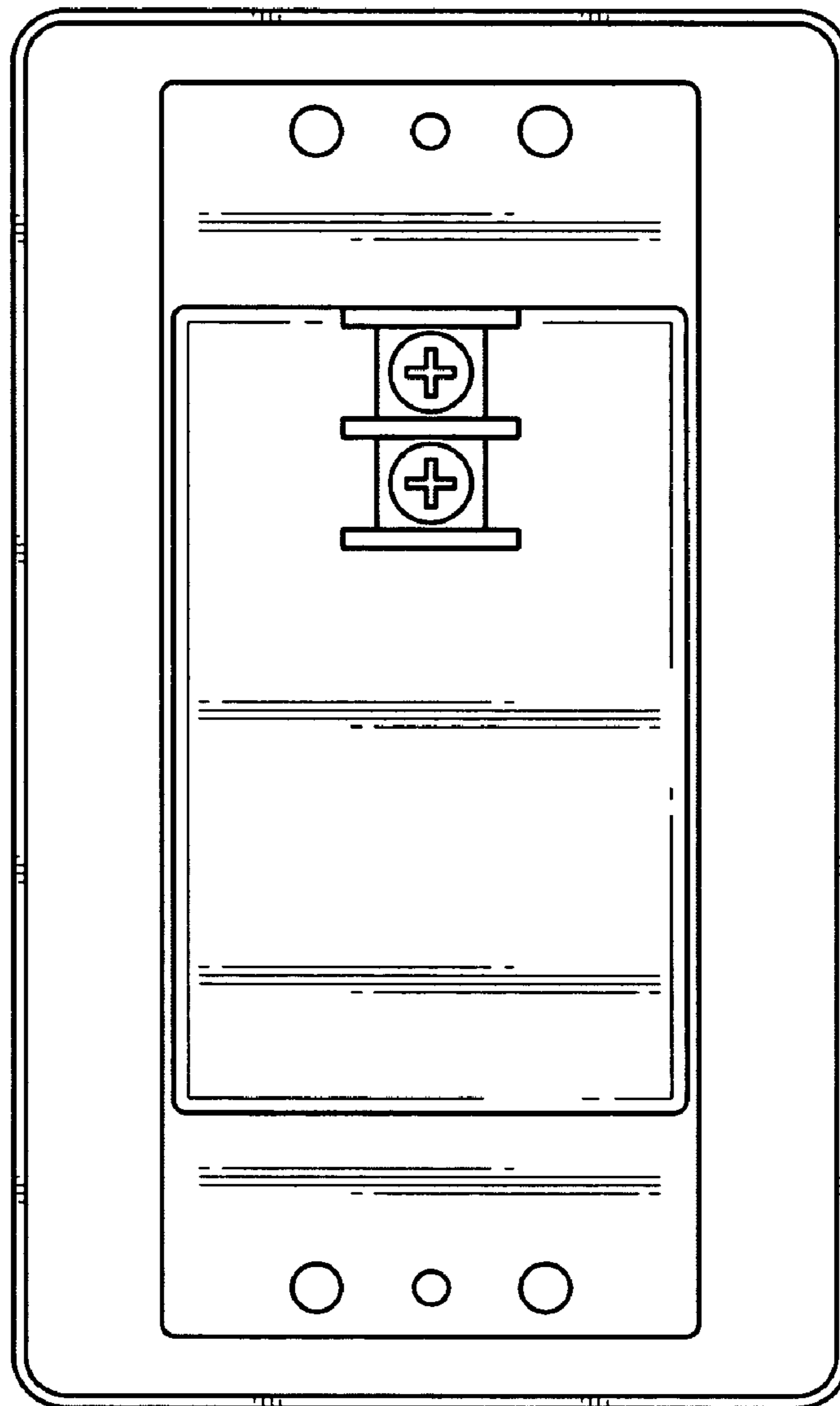


FIG. 5

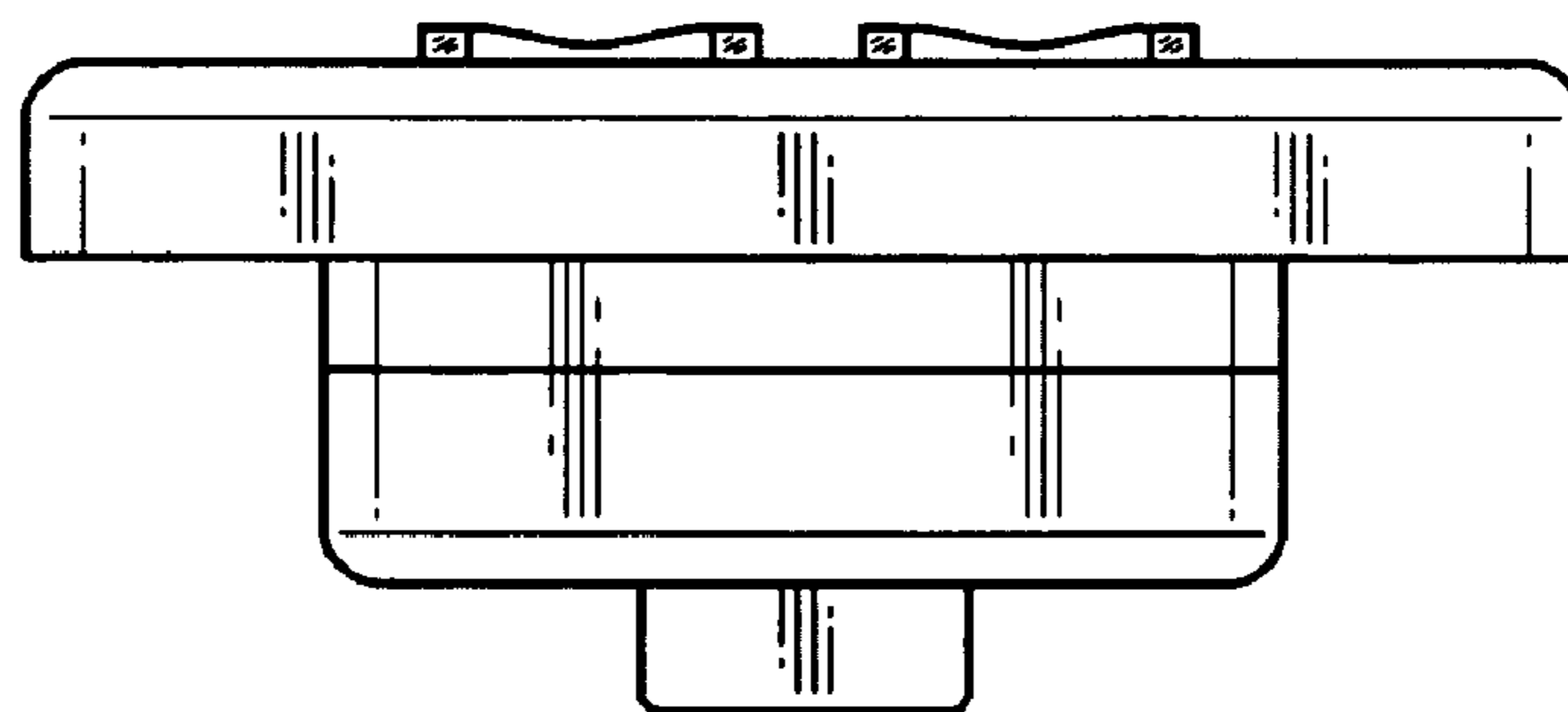


FIG. 6

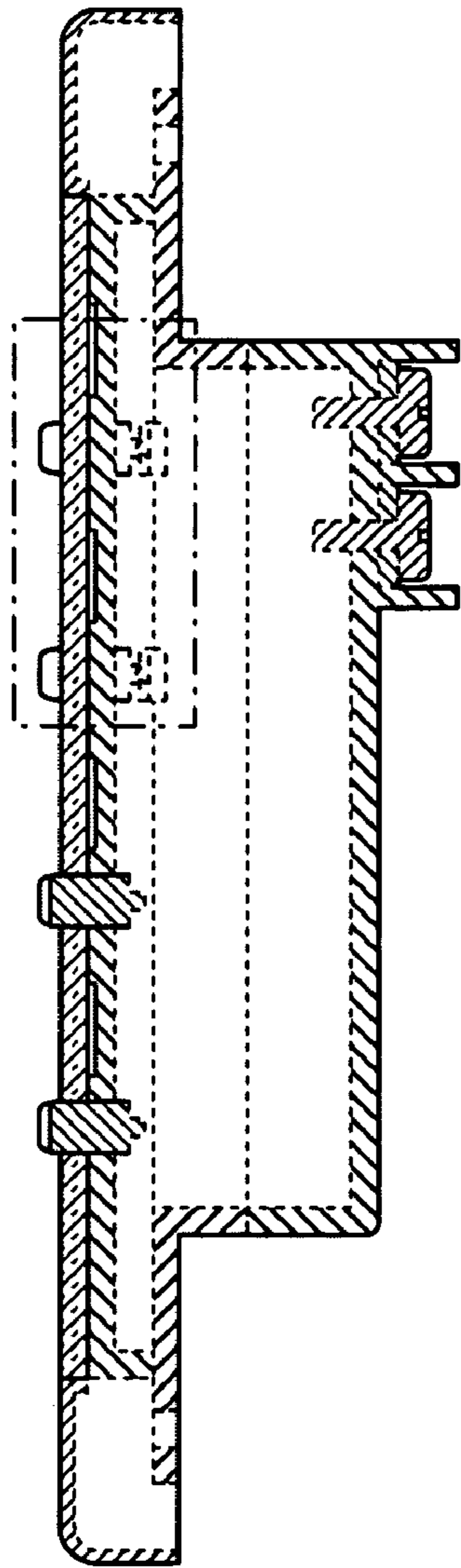


FIG. 7

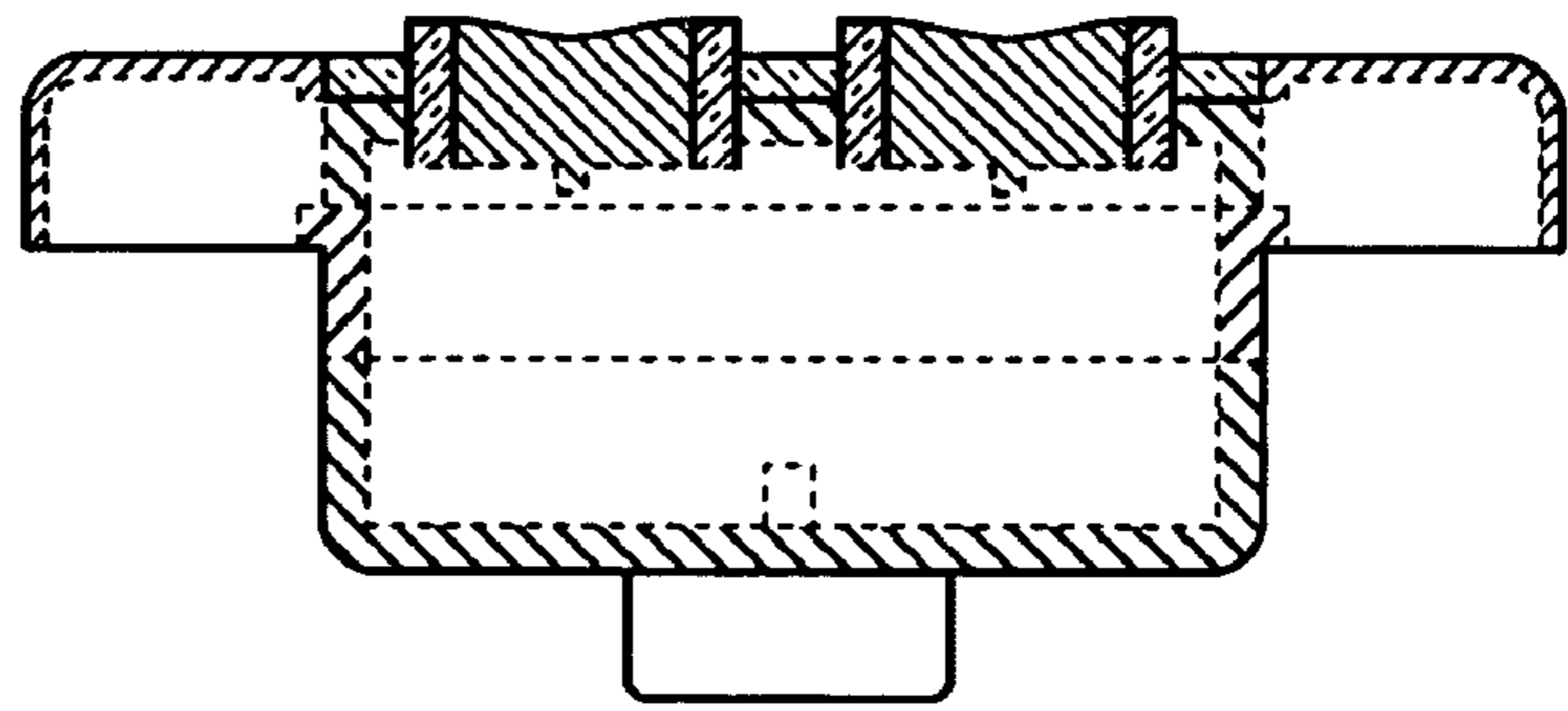


FIG. 8

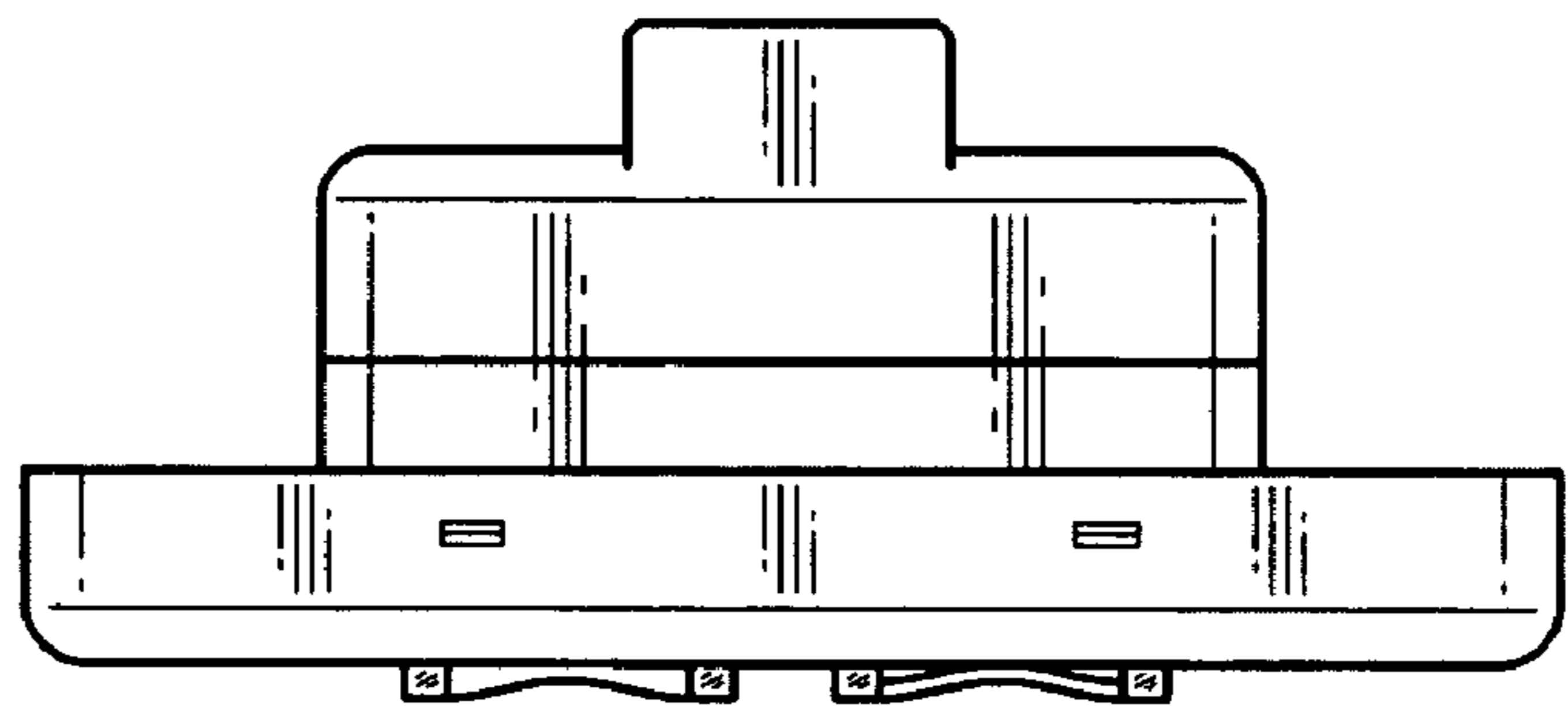


FIG. 9

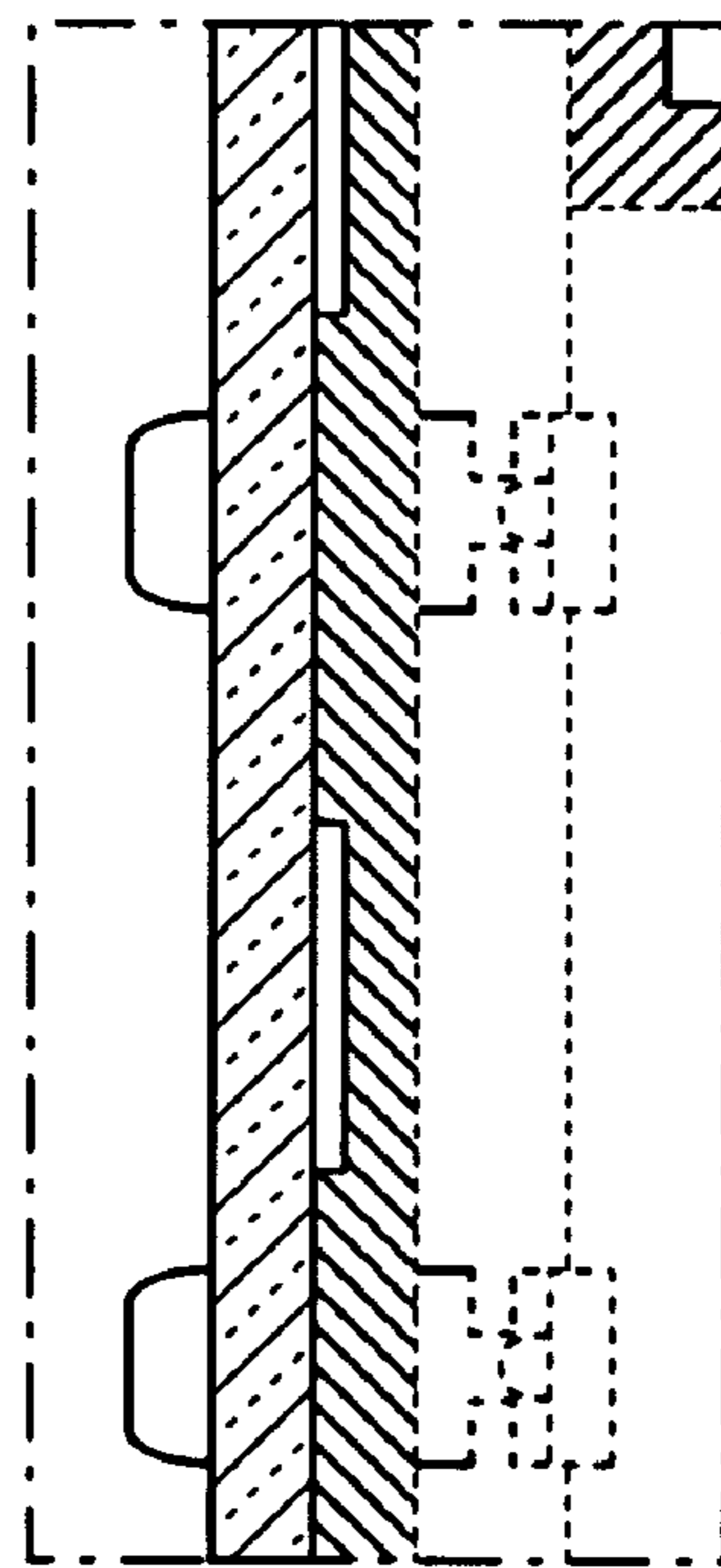


FIG. 10