

US00D598866S

(12) **United States Design Patent**  
**Rinna**

(10) **Patent No.:** **US D598,866 S**

(45) **Date of Patent:** **\*\* Aug. 25, 2009**

(54) **ELECTRIC SWITCH**

(75) Inventor: **Eddy Rinna**, Bowden (AU)

(73) Assignee: **Clipsal Australia Pty Ltd.** (AU)

(\*\*) Term: **14 Years**

(21) Appl. No.: **29/294,870**

(22) Filed: **Jan. 29, 2008**

(30) **Foreign Application Priority Data**

Jul. 30, 2007 (AU) ..... 316503

(51) **LOC (9) Cl.** ..... **13-03**

(52) **U.S. Cl.** ..... **D13/162**

(58) **Field of Classification Search** ..... D13/162,  
D13/164, 170, 171, 184, 199; 174/66; 200/5 R,  
200/5 A, 1 B, 293, 296, 329, 406, 513, 520,  
200/530, 301.1, 302.2, 314, 315, 341, 344;  
315/291-296; 338/198-200; D10/108, 116,  
D10/118; D8/353

See application file for complete search history.

(56) **References Cited**

**U.S. PATENT DOCUMENTS**

D331,741 S \* 12/1992 Fujiyoshi ..... D13/169

D331,742 S \* 12/1992 Fujiyoshi ..... D13/169  
D558,686 S \* 1/2008 Bhate et al. .... D13/162  
D573,955 S \* 7/2008 Bhate et al. .... D13/162  
D584,243 S \* 1/2009 Rinna ..... D13/169  
D585,844 S \* 2/2009 Bhate et al. .... D13/173  
D586,762 S \* 2/2009 Nichols et al. .... D13/171  
D587,214 S \* 2/2009 Nichols et al. .... D13/171  
D592,607 S \* 5/2009 Felegy et al. .... D13/168

\* cited by examiner

*Primary Examiner*—Daniel D Bui

*Assistant Examiner*—Thomas J Johannes

(74) *Attorney, Agent, or Firm*—Klauber & Jackson LLC

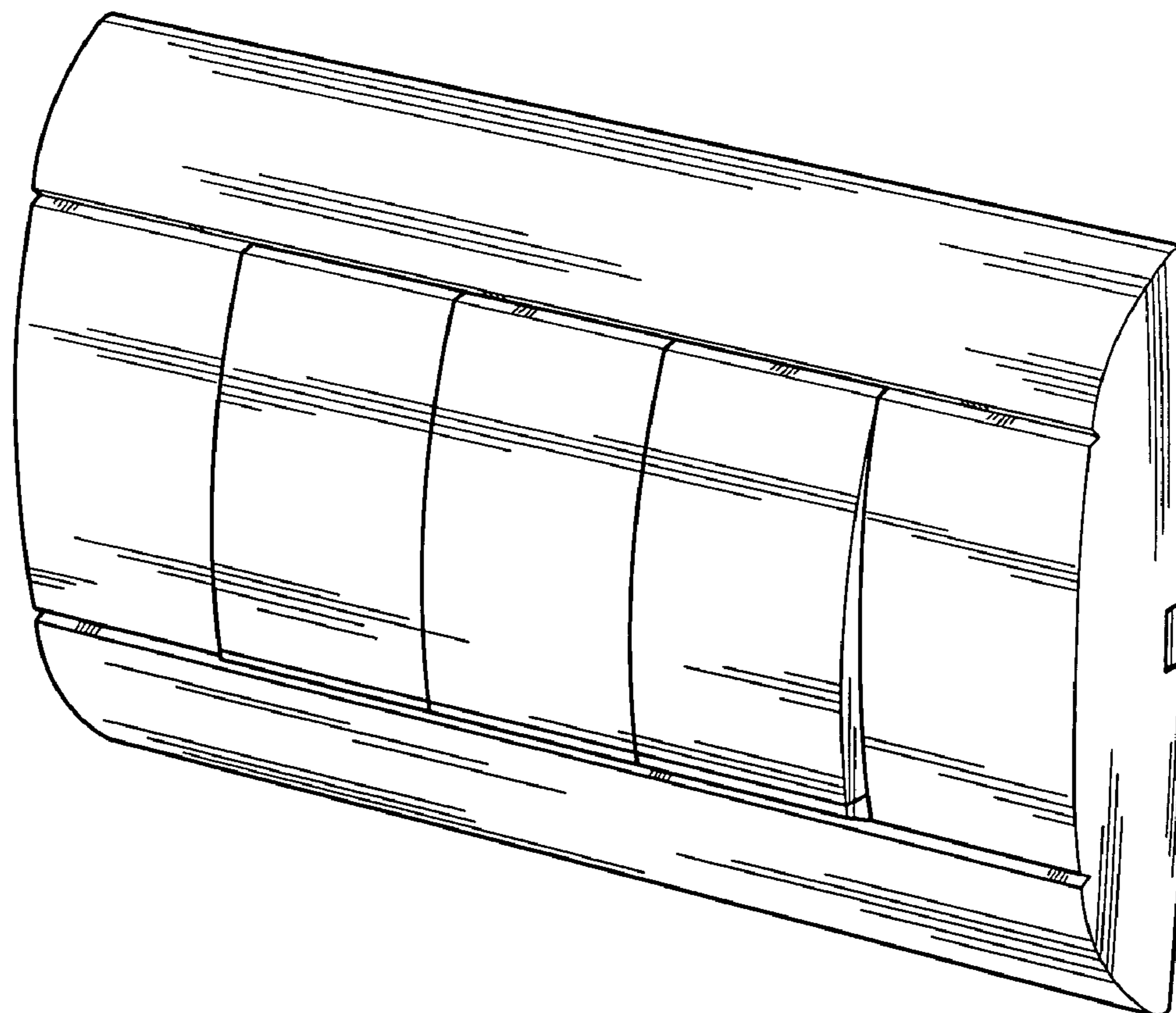
(57) **CLAIM**

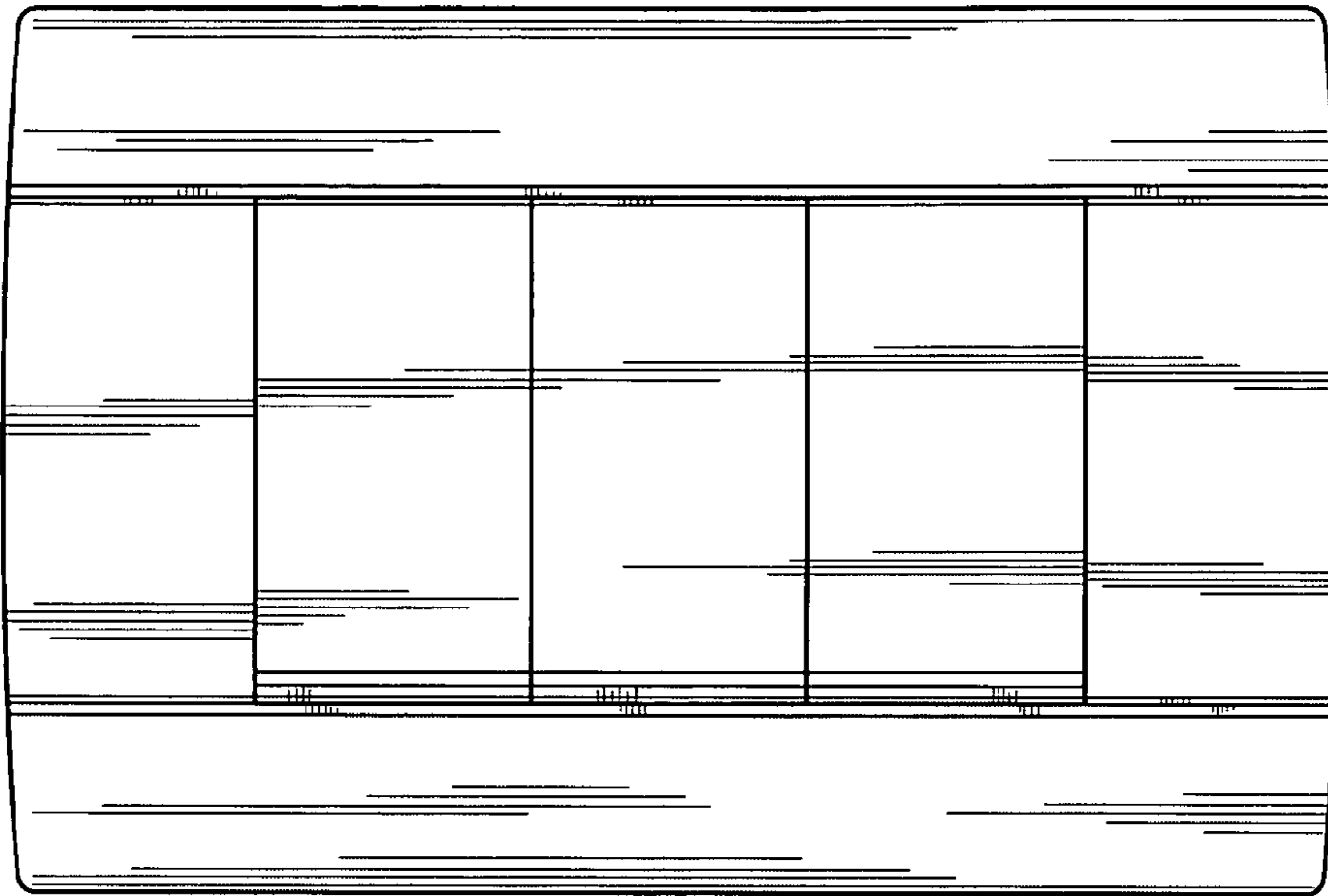
The ornamental design for an electric switch, as shown and described.

**DESCRIPTION**

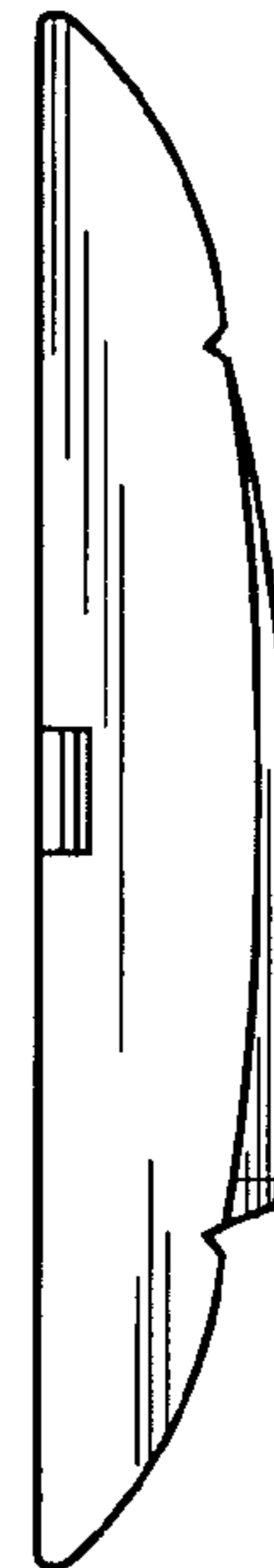
FIG. 1 is a front view of an electric switch of my new design; FIG. 2 is a right side view thereof, the left side being the mirror image thereof; and, FIG. 3 is a perspective view thereof.

**1 Claim, 1 Drawing Sheet**

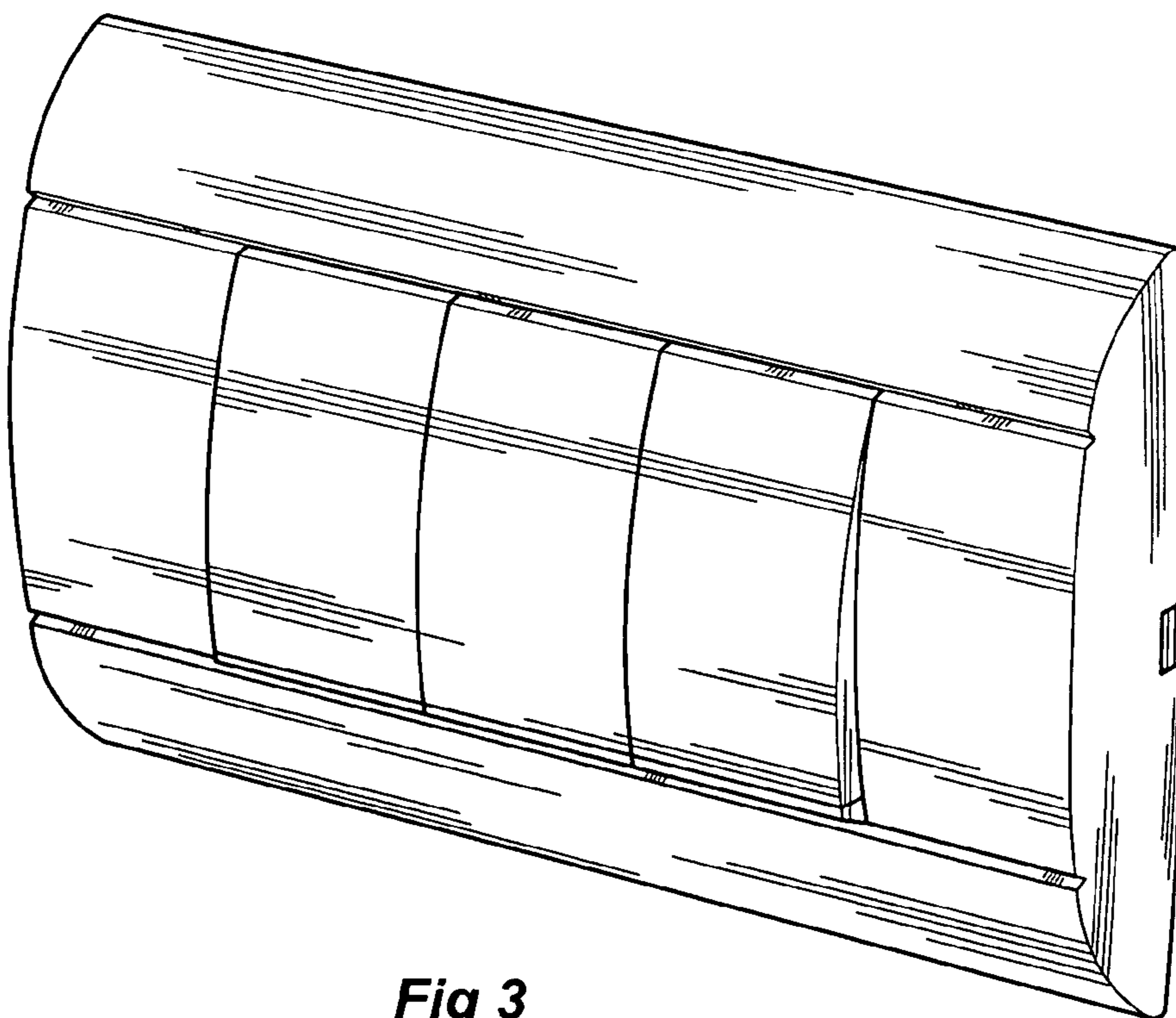




**Fig 1**



**Fig 2**



**Fig 3**