

US00D598865S

(12) **United States Design Patent**  
**Hwang et al.**

(10) **Patent No.:** **US D598,865 S**

(45) **Date of Patent:** **\*\* Aug. 25, 2009**

(54) **AUDIO VIDEO CABLE**

(75) Inventors: **Suhyun Hwang**, Flushing, NY (US);  
**Michael Andersen**, New York, NY (US)

(73) Assignee: **Bell'O International Corp.**,  
Morganville, NJ (US)

(\*\*) Term: **14 Years**

(21) Appl. No.: **29/310,589**

(22) Filed: **Aug. 27, 2008**

(51) **LOC (9) Cl.** ..... **13-03**

(52) **U.S. Cl.** ..... **D13/156**

(58) **Field of Classification Search** ..... D13/133,  
D13/154, 156, 184; 439/447, 483, 586, 578,  
439/606-610, 668-669, 675-676, 889, 892  
See application file for complete search history.

(56) **References Cited**

**U.S. PATENT DOCUMENTS**

D355,159 S	2/1995	Cheng	
D393,830 S	4/1998	Tobler et al.	
D405,056 S	2/1999	Lee	
D405,057 S	2/1999	Martin et al.	
D411,175 S	6/1999	Doren et al.	
D413,569 S	9/1999	Peterson et al.	
D414,462 S	9/1999	Peterson et al.	
D434,009 S	11/2000	Lee	
D442,555 S	5/2001	Milan	
D442,919 S	5/2001	Milan	
D444,772 S	7/2001	Milan	
D453,322 S	2/2002	Lee	
D465,205 S	11/2002	Orpilla et al.	
D473,194 S	4/2003	Lee	
D484,463 S	12/2003	Hussaini et al.	
D505,390 S	5/2005	Lee et al.	
D550,157 S *	9/2007	Victor	D13/133
D556,146 S	11/2007	Victor	
D567,183 S *	4/2008	Victor	D13/156

D576,105 S *	9/2008	Victor	D13/154
D577,678 S *	9/2008	Ball et al.	D13/133
D580,862 S *	11/2008	Amidon	D13/133
D582,849 S *	12/2008	Kuo	D13/133

**OTHER PUBLICATIONS**

Oculus audio and video cables promotional information obtained from website [www.oculus-designs.com](http://www.oculus-designs.com).

Honeywell audio cable promotional information obtained from website [www.genescable.com/documents/L\\_GNASMBYB\\_D.pdf](http://www.genescable.com/documents/L_GNASMBYB_D.pdf).

\* cited by examiner

*Primary Examiner*—Brian N Vinson

(74) *Attorney, Agent, or Firm*—Lerner, David, Littenberg, Krumholz & Mentlik, LLP

(57) **CLAIM**

The ornamental design for an audio video cable, as shown and described.

**DESCRIPTION**

FIG. 1 is a front perspective view of a first embodiment of my design for an audio video cable;

FIG. 2 is a front elevational view thereof;

FIG. 3 is a top plan view thereof (the bottom plan view is identical to the top plan view);

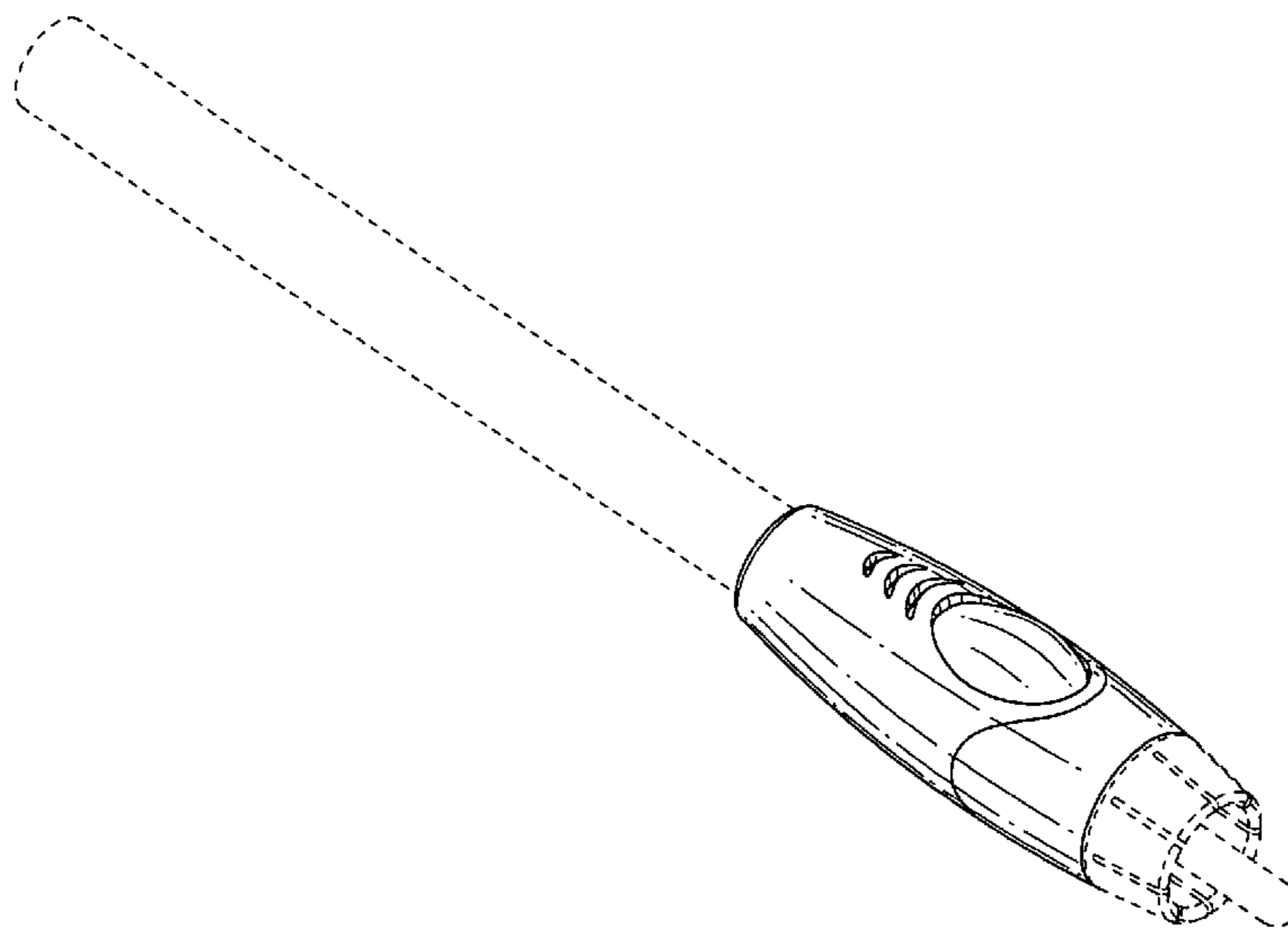
FIG. 4 is a left side view thereof (the right side is identical to the left side view);

FIG. 5 is a front perspective view of a second embodiment of the audio video cable; and,

FIG. 6 is a top plan view of the second embodiment (the bottom plan view is identical to the top plan view, and all other views are the same as the corresponding views of the first embodiment).

The broken lines shown on the drawings are included for the purpose of illustration and form no part of the claimed design.

**1 Claim, 3 Drawing Sheets**



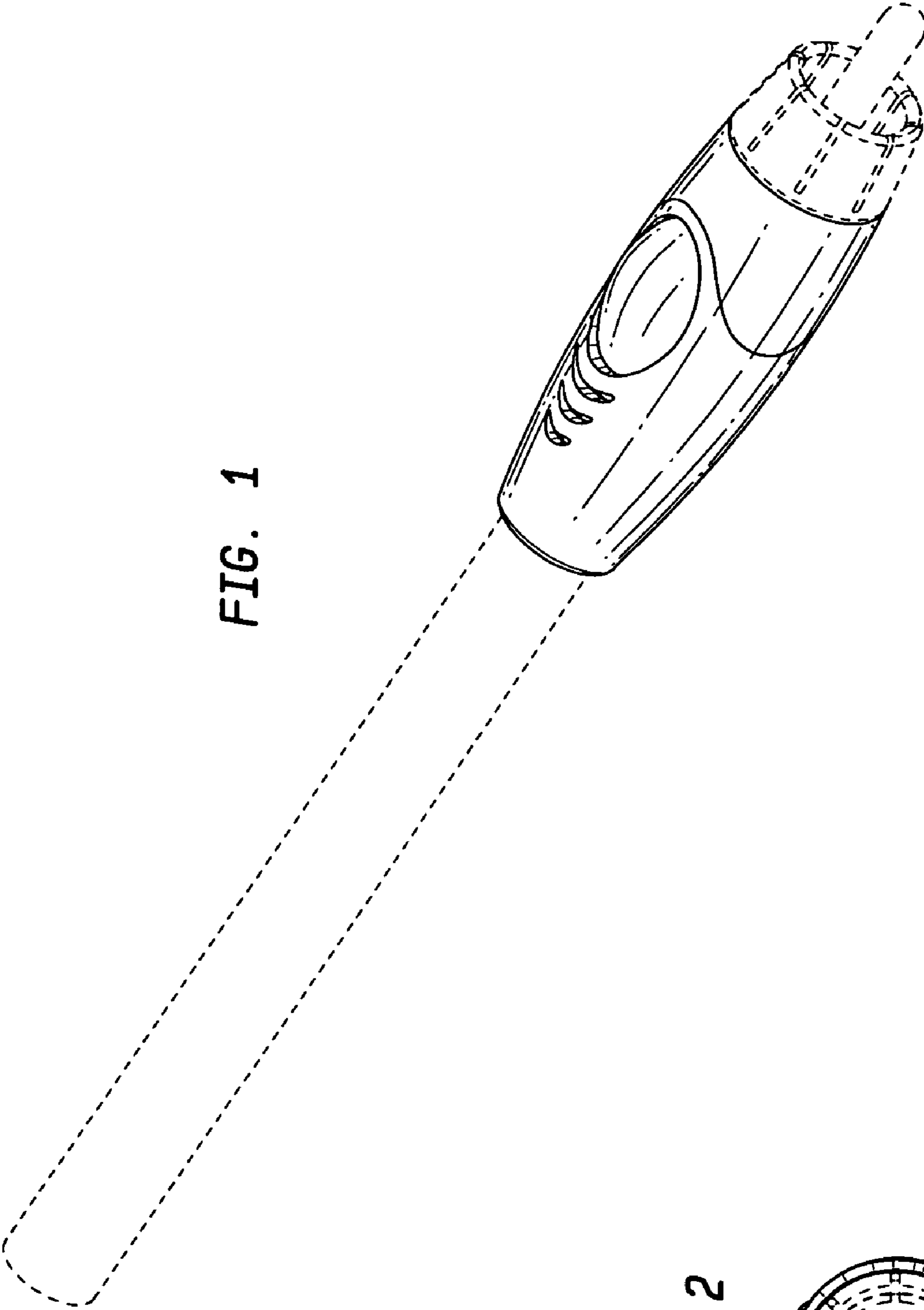


FIG. 1

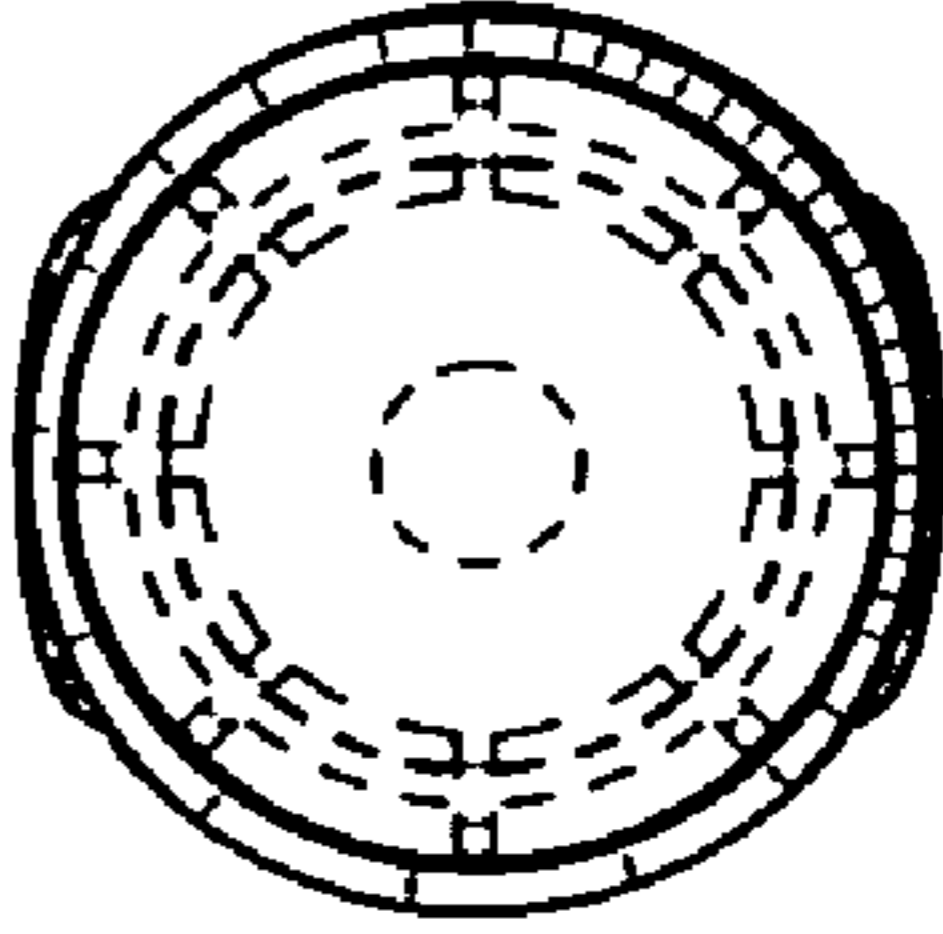


FIG. 2

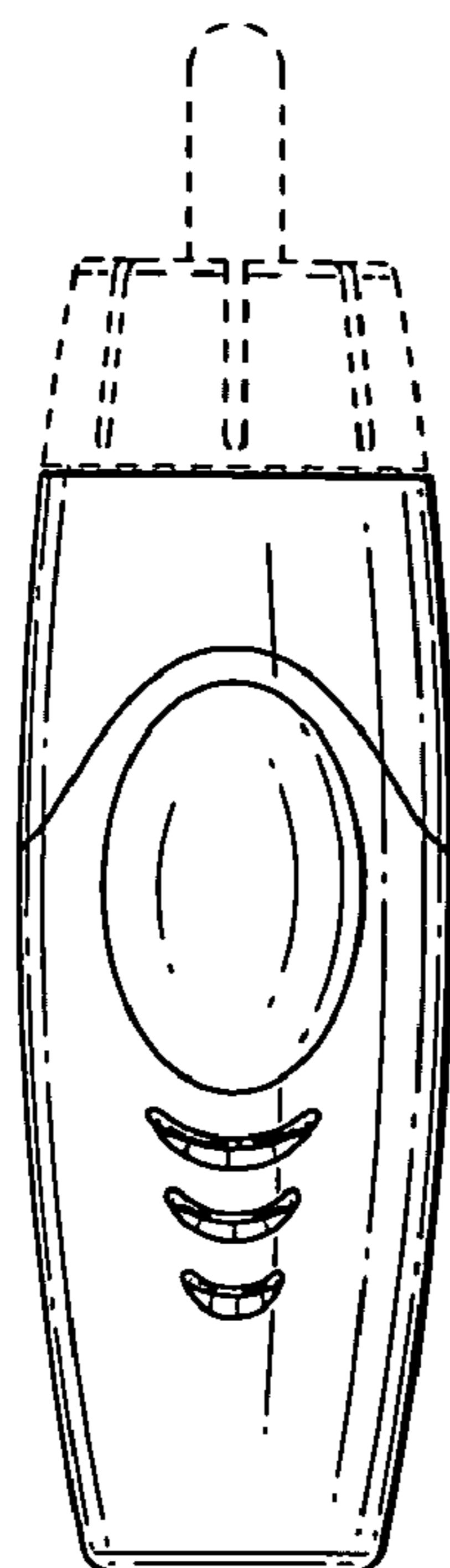


FIG. 3

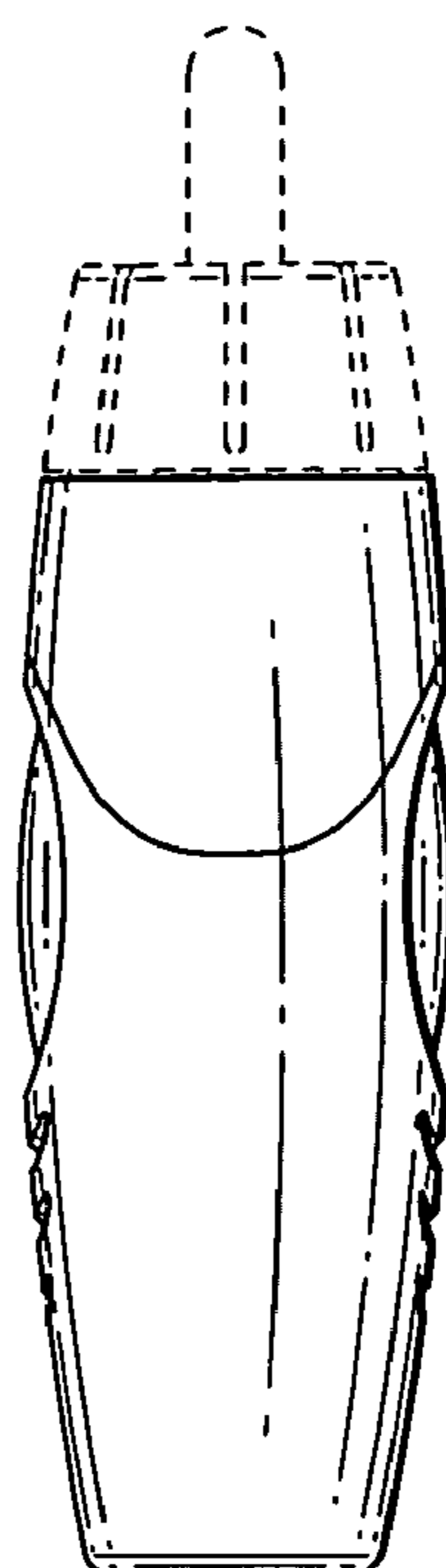


FIG. 4

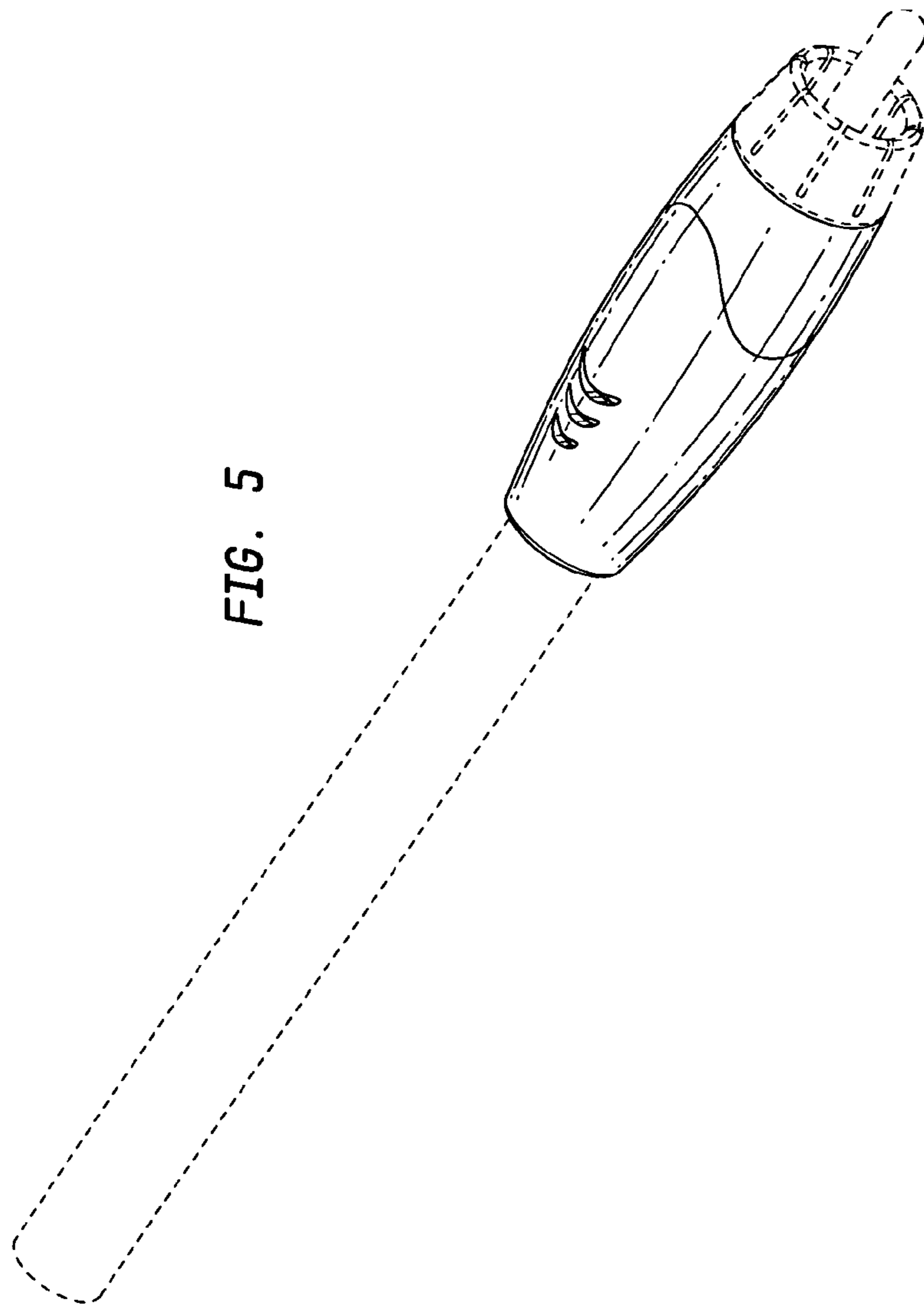


FIG. 5

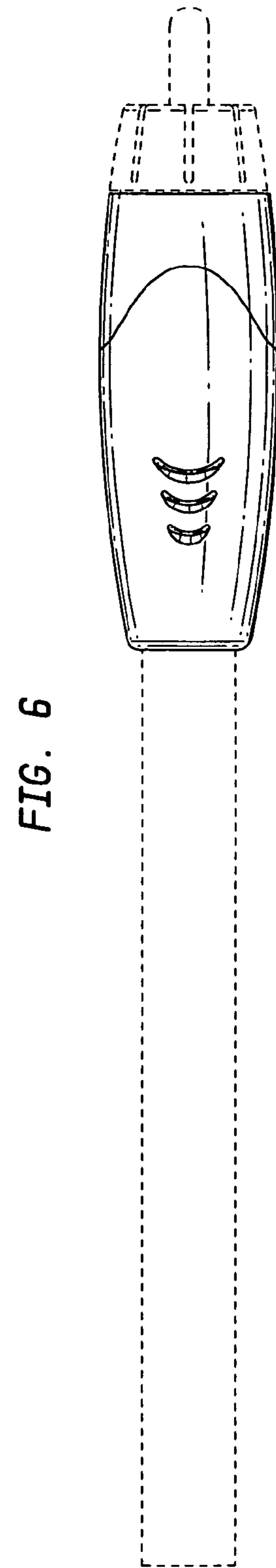


FIG. 6