



US00D598864S

(12) **United States Design Patent**
Chiang et al.

(10) **Patent No.:** **US D598,864 S**

(45) **Date of Patent:** **** Aug. 25, 2009**

(54) **I/O CONNECTOR**

(75) Inventors: **Shu-Man Chiang**, Tu-Cheng (TW);
Mei-Chuan Yang, Tu-Cheng (TW)

(73) Assignee: **Cheng Uei Precision Industry Co., Ltd.**, Taipei Hsien (TW)

(**) Term: **14 Years**

(21) Appl. No.: **29/290,864**

(22) Filed: **Jan. 24, 2008**

(51) **LOC (9) Cl.** **13-03**

(52) **U.S. Cl.** **D13/154**

(58) **Field of Classification Search** D13/133,
D13/149, 154, 184; 439/395-400, 839, 845,
439/849-852, 861-862, 884-885, 888-891
See application file for complete search history.

(56) **References Cited**

U.S. PATENT DOCUMENTS

D28,744 S * 5/1898 Maxim D13/133
3,555,497 A * 1/1971 Watanabe 439/857

D232,557 S * 8/1974 Michel et al. D13/154
4,734,047 A * 3/1988 Krumme 439/161
D354,268 S * 1/1995 Siemon et al. D13/133

* cited by examiner

Primary Examiner—Daniel D Bui

(74) *Attorney, Agent, or Firm*—Rosenberg, Klein & Lee

(57) **CLAIM**

The ornamental design for an I/O connector, as shown and described.

DESCRIPTION

FIG. 1 is a perspective view of an I/O connector showing our new design;

FIG. 2 is a front elevational view thereof;

FIG. 3 is a rear elevational view thereof;

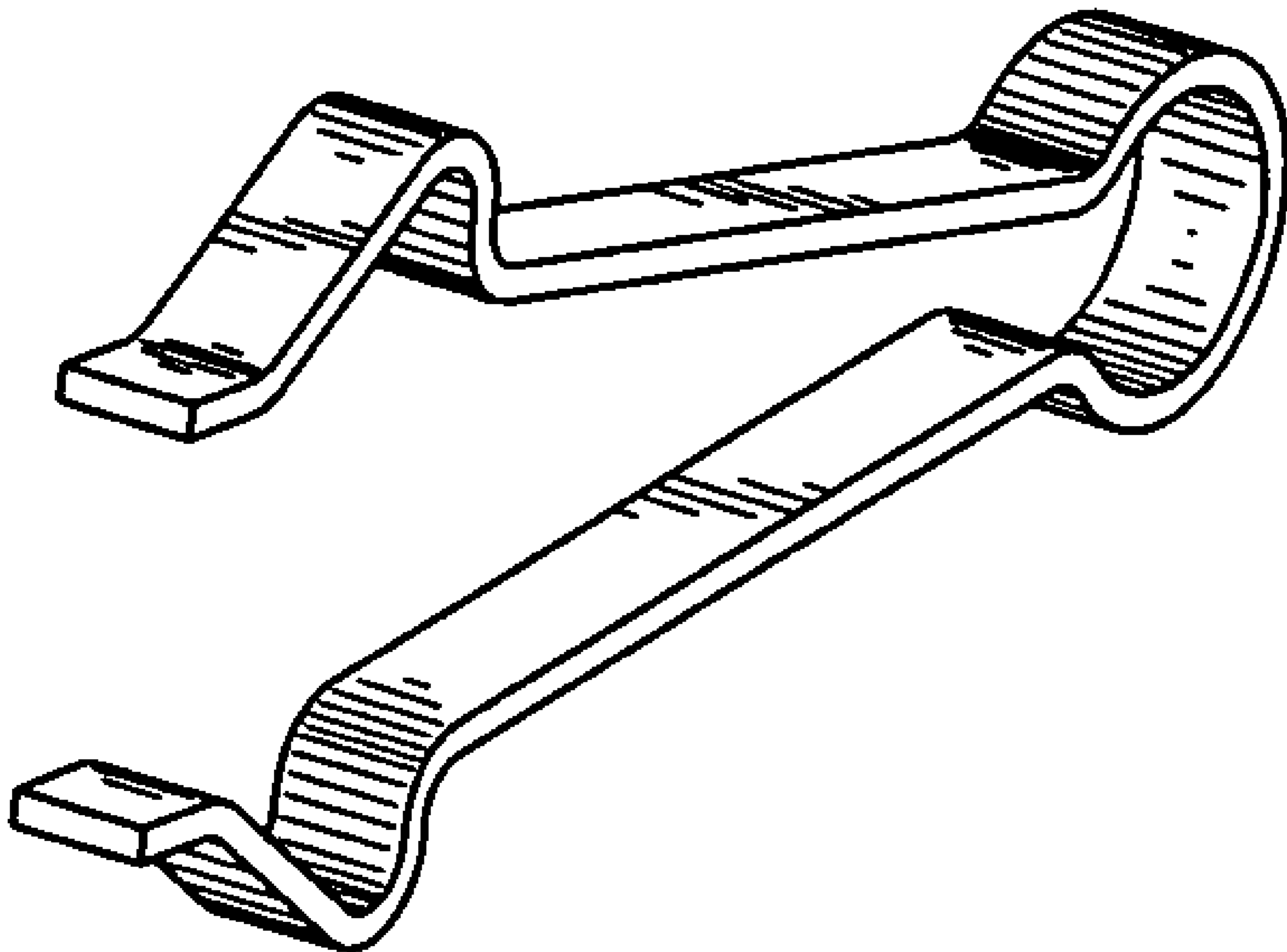
FIG. 4 is a left side elevational view thereof;

FIG. 5 is a right side elevational view thereof;

FIG. 6 is a top plan view thereof; and,

FIG. 7 is a bottom plan view thereof.

1 Claim, 4 Drawing Sheets



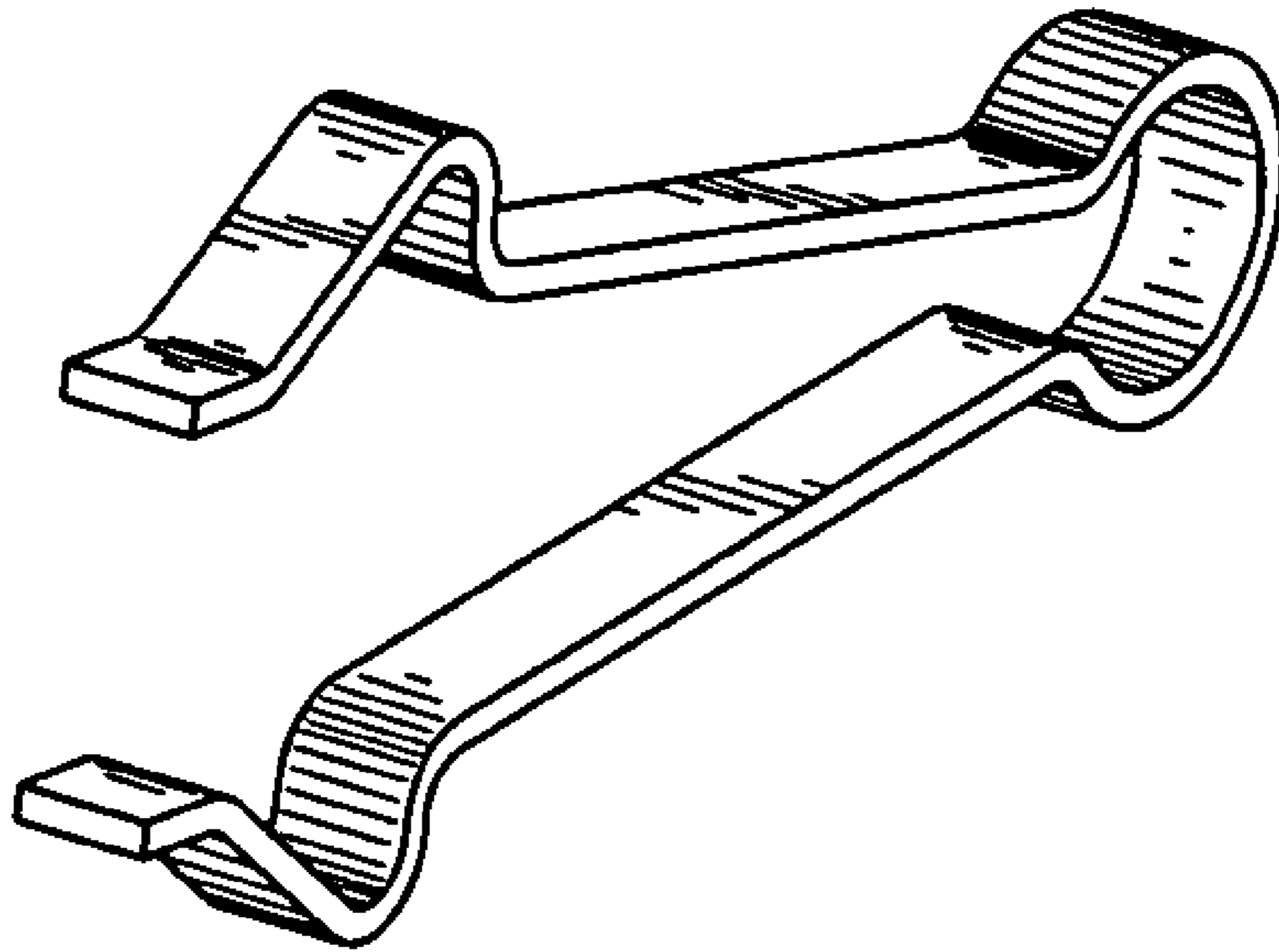


FIG. 1



FIG. 2



FIG. 3

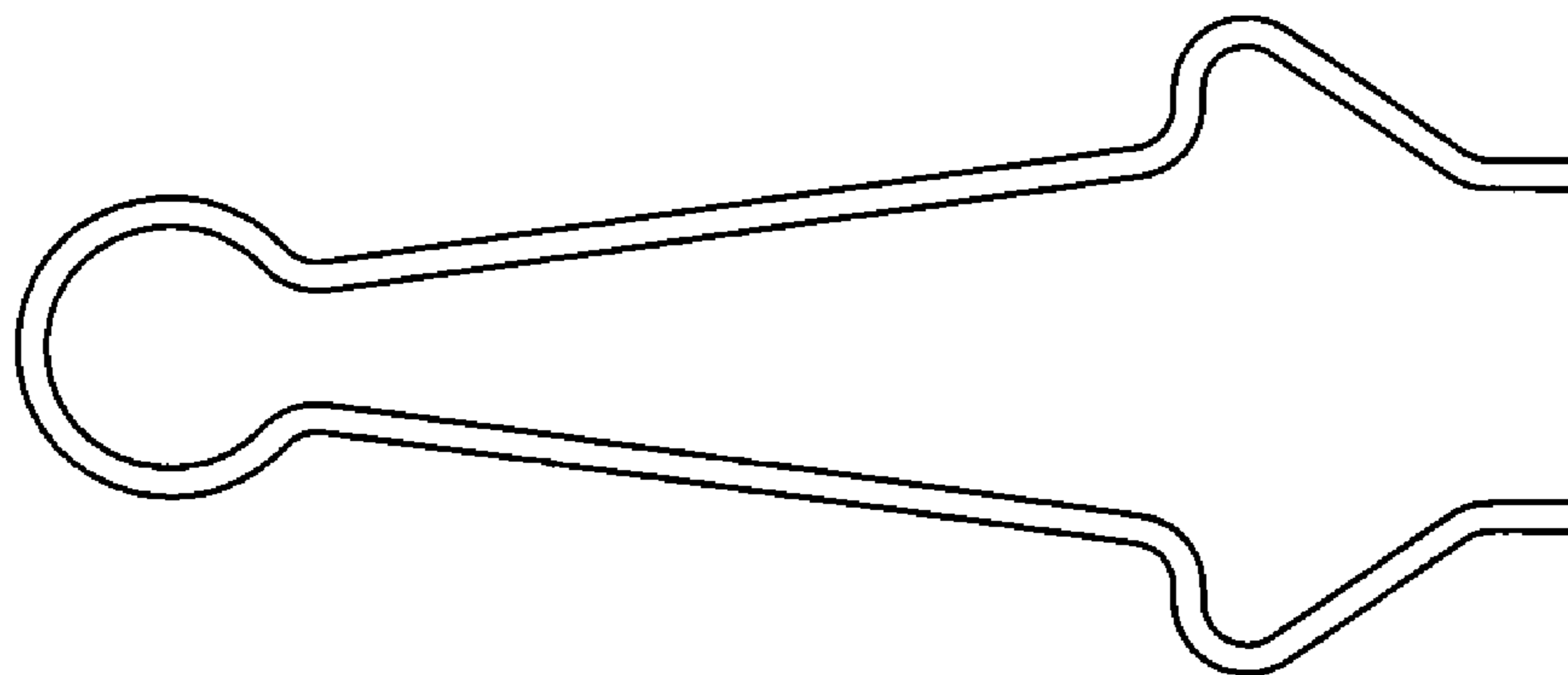


FIG. 4

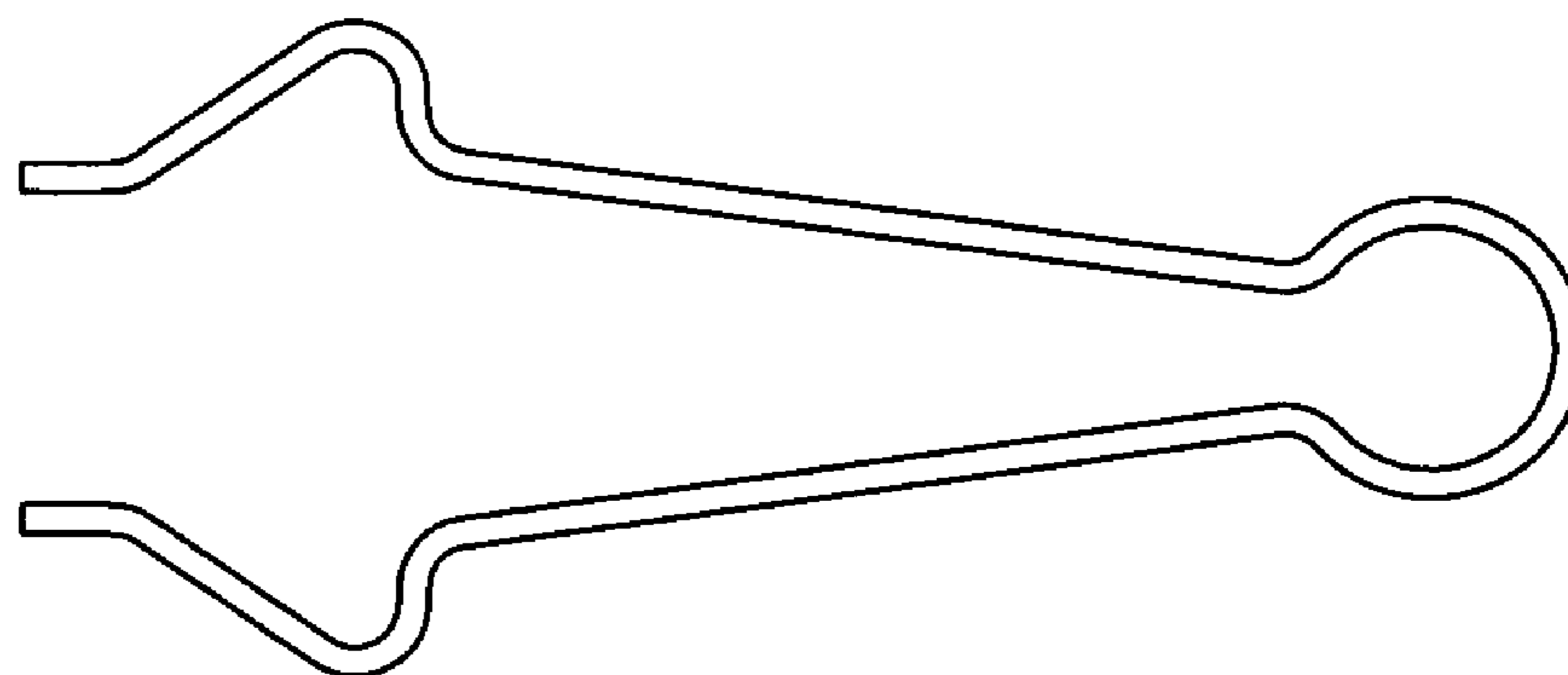


FIG. 5

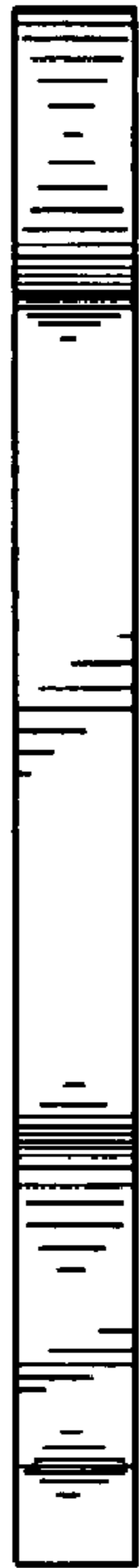


FIG. 6

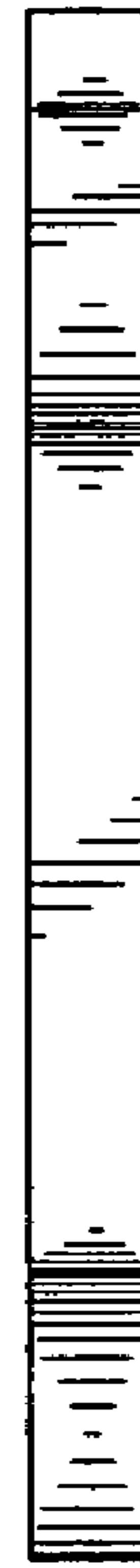


FIG. 7