



US00D598863S

(12) **United States Design Patent**  
**Hoshino et al.**

(10) **Patent No.:** **US D598,863 S**

(45) **Date of Patent:** **\*\* Aug. 25, 2009**

(54) **PLUG**

(75) Inventors: **Hirokazu Hoshino**, Kyoto (JP); **Yusuke Shimura**, Kyoto (KR)

(73) Assignee: **Omron Corporation**, Kyoto (JP)

(\*\*) Term: **14 Years**

(21) Appl. No.: **29/327,671**

(22) Filed: **Nov. 11, 2008**

(30) **Foreign Application Priority Data**

May 12, 2008 (JP) ..... D 2008-011727

(51) **LOC (9) Cl.** ..... **13-03**

(52) **U.S. Cl.** ..... **D13/147**

(58) **Field of Classification Search** ..... D13/133,  
D13/147, 154, 184; D14/433, 435, 436,  
D14/438; 439/64, 79, 108, 159-160, 260,  
439/325-326, 329, 394-395, 607-610, 629-630,  
439/946

See application file for complete search history.

(56) **References Cited**

**U.S. PATENT DOCUMENTS**

D539,226 S \* 3/2007 Yamada et al. .... D13/147  
D540,263 S \* 4/2007 Kishi et al. .... D13/147  
D562,774 S \* 2/2008 Kojima et al. .... D13/147

D578,481 S \* 10/2008 Lee et al. .... D13/147  
D588,541 S \* 3/2009 Lee et al. .... D13/147  
D589,891 S \* 4/2009 Peng ..... D13/147

\* cited by examiner

*Primary Examiner*—Daniel D Bui

(74) *Attorney, Agent, or Firm*—Harness, Dickey & Pierce

(57) **CLAIM**

The ornamental design for a plug, as shown and described.

**DESCRIPTION**

FIG. 1 is a top perspective view of a plug showing our new design;

FIG. 2 is a bottom perspective view thereof;

FIG. 3 is a front elevational view thereof;

FIG. 4 is a rear elevational view thereof;

FIG. 5 is a left side view thereof;

FIG. 6 is a right side view thereof;

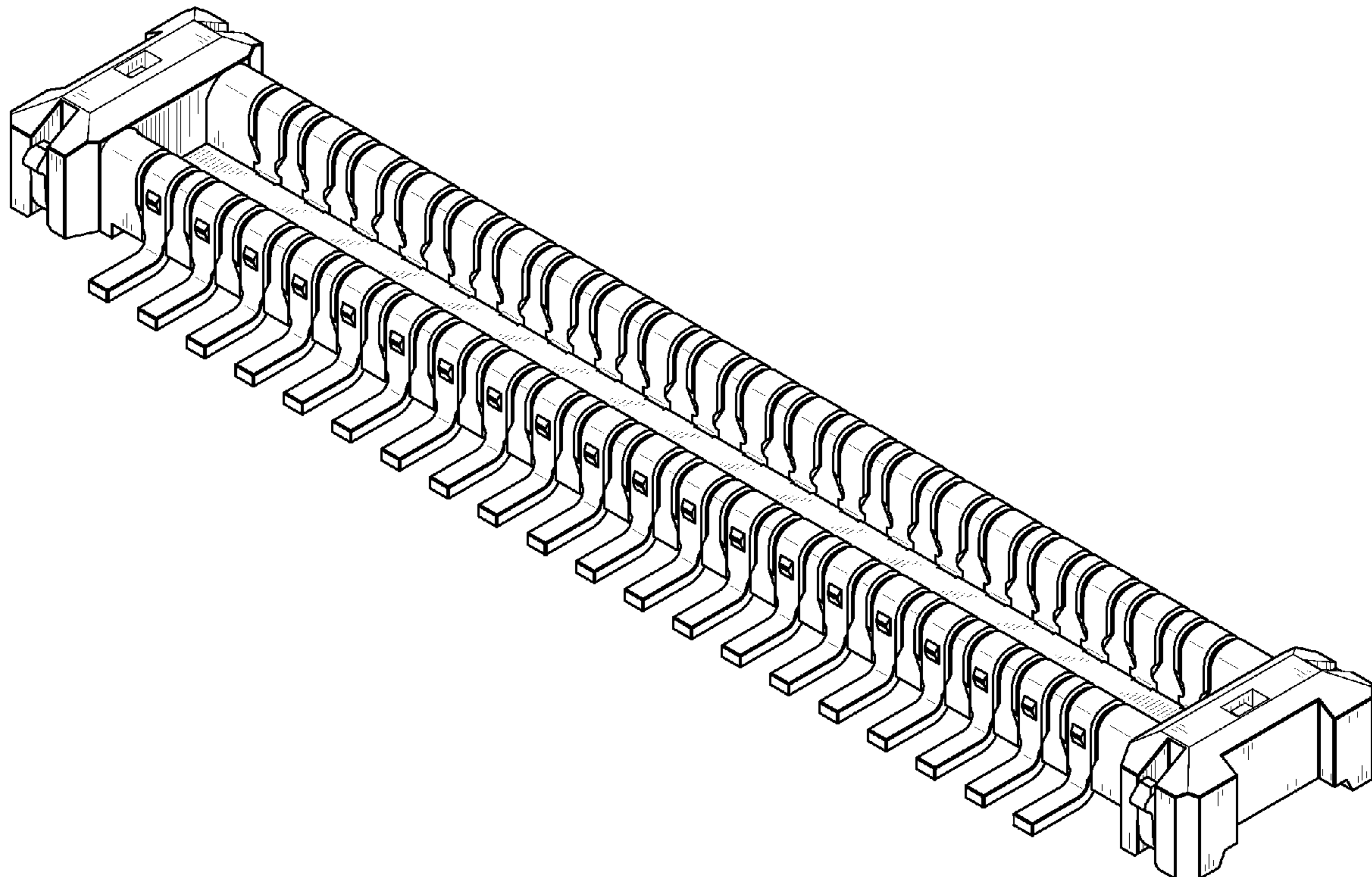
FIG. 7 is a top plan view thereof;

FIG. 8 is a bottom plan view thereof;

FIG. 9 is an enlarged cross-sectional view taken along the line of IX—IX of FIG. 3; and,

FIG. 10 is an enlarged cross-section view taken along the line of X—X of FIG. 3.

**1 Claim, 5 Drawing Sheets**



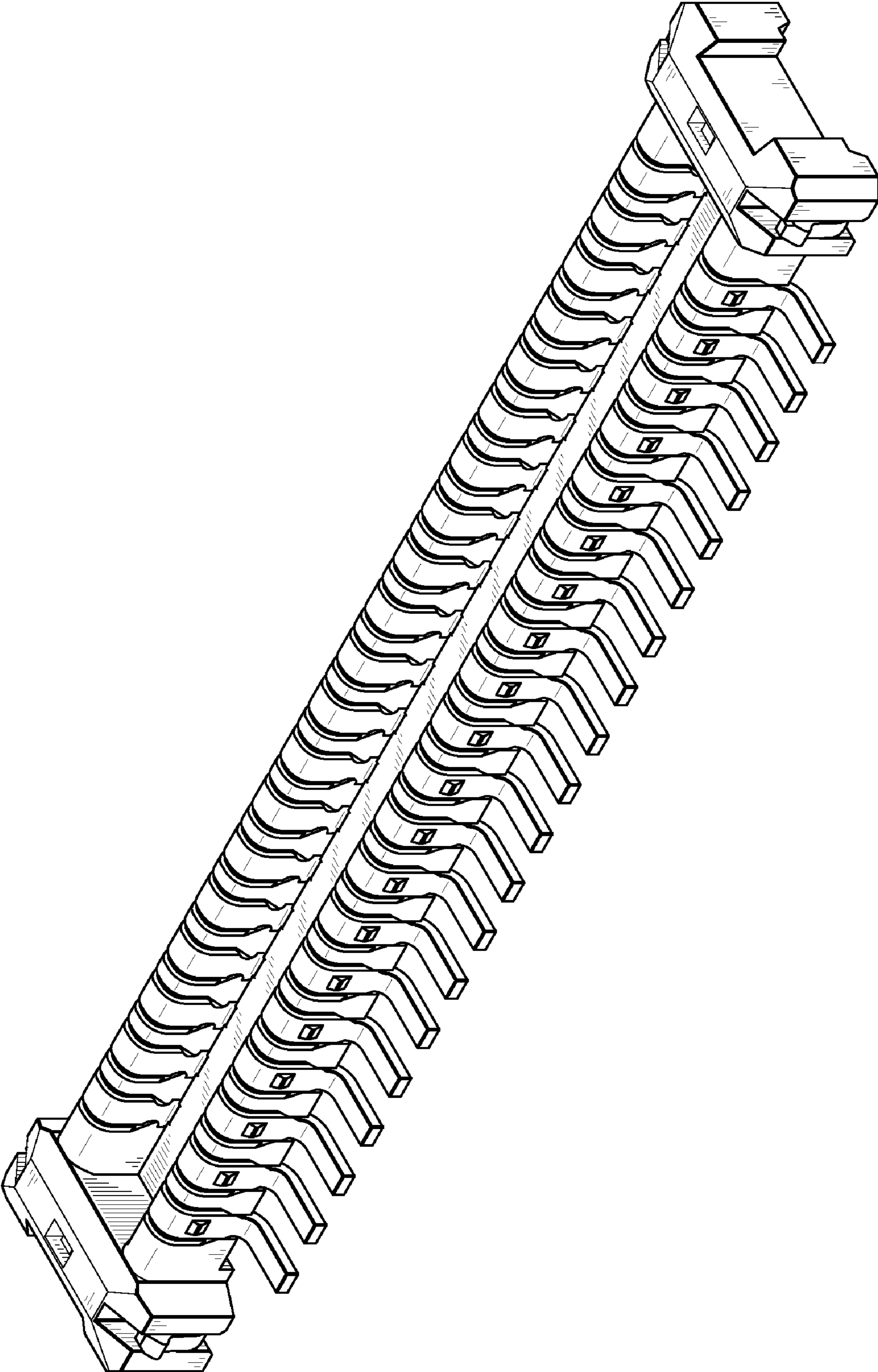


Fig. 1

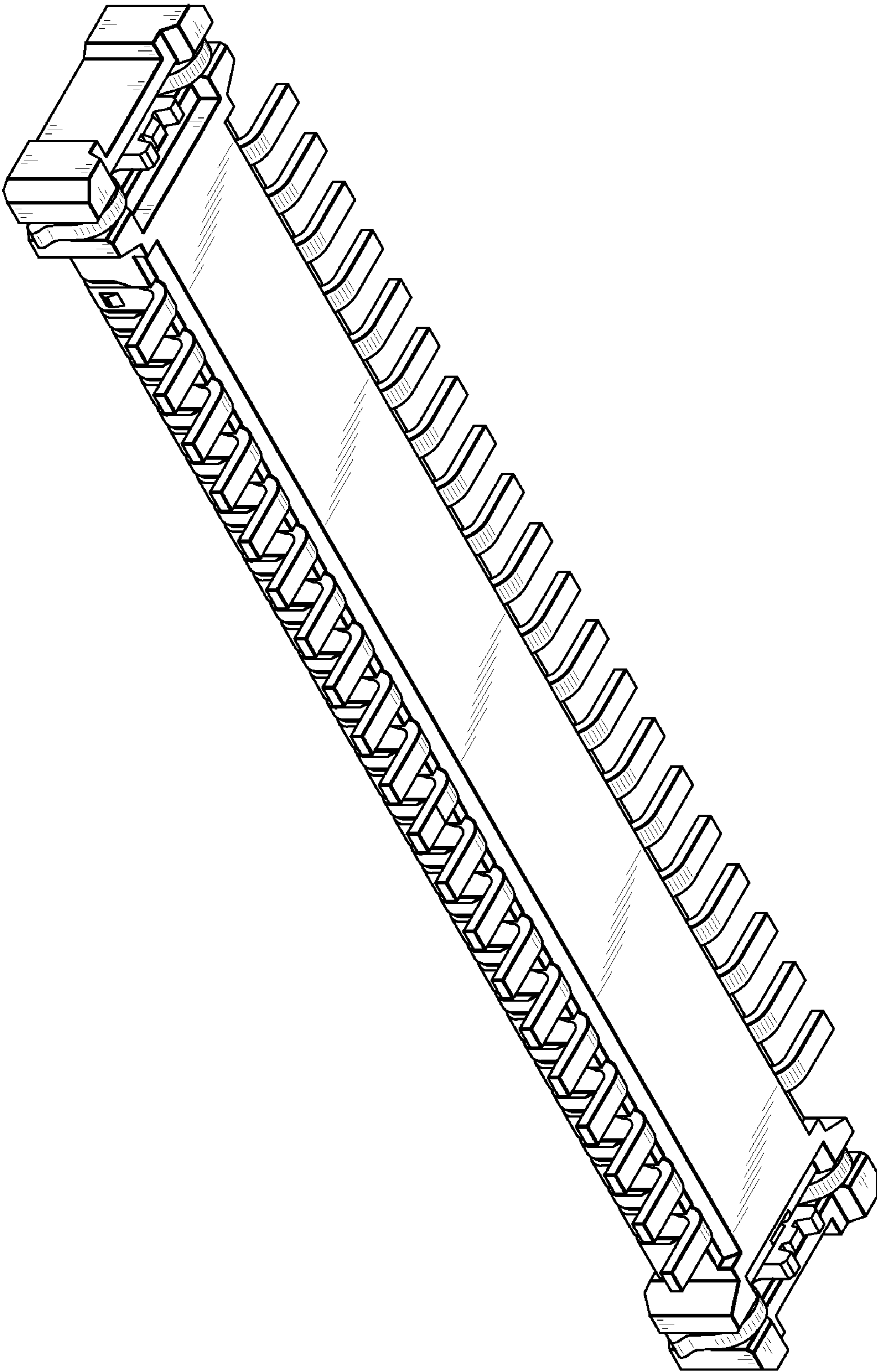


Fig. 2

Fig. 3

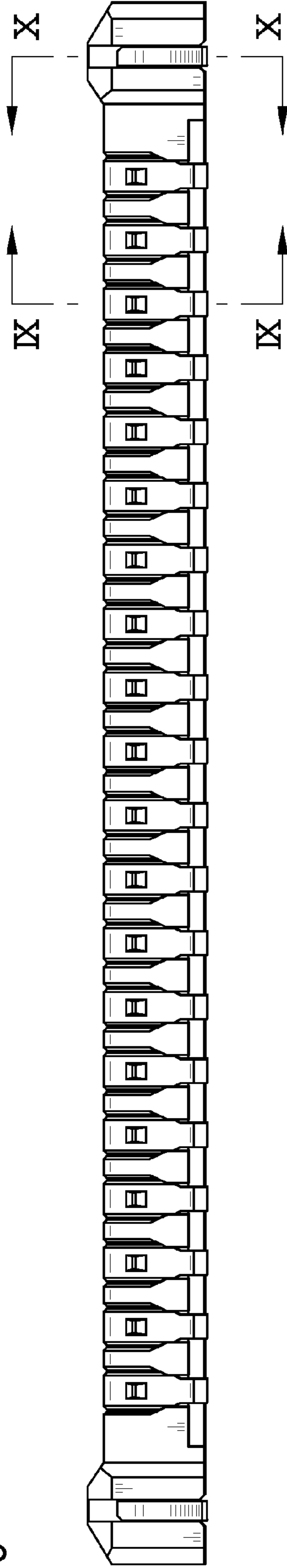


Fig. 4

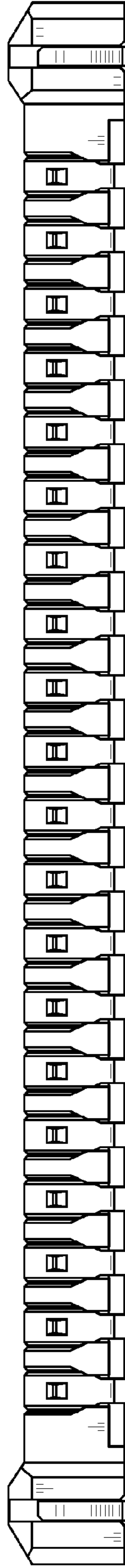


Fig. 5

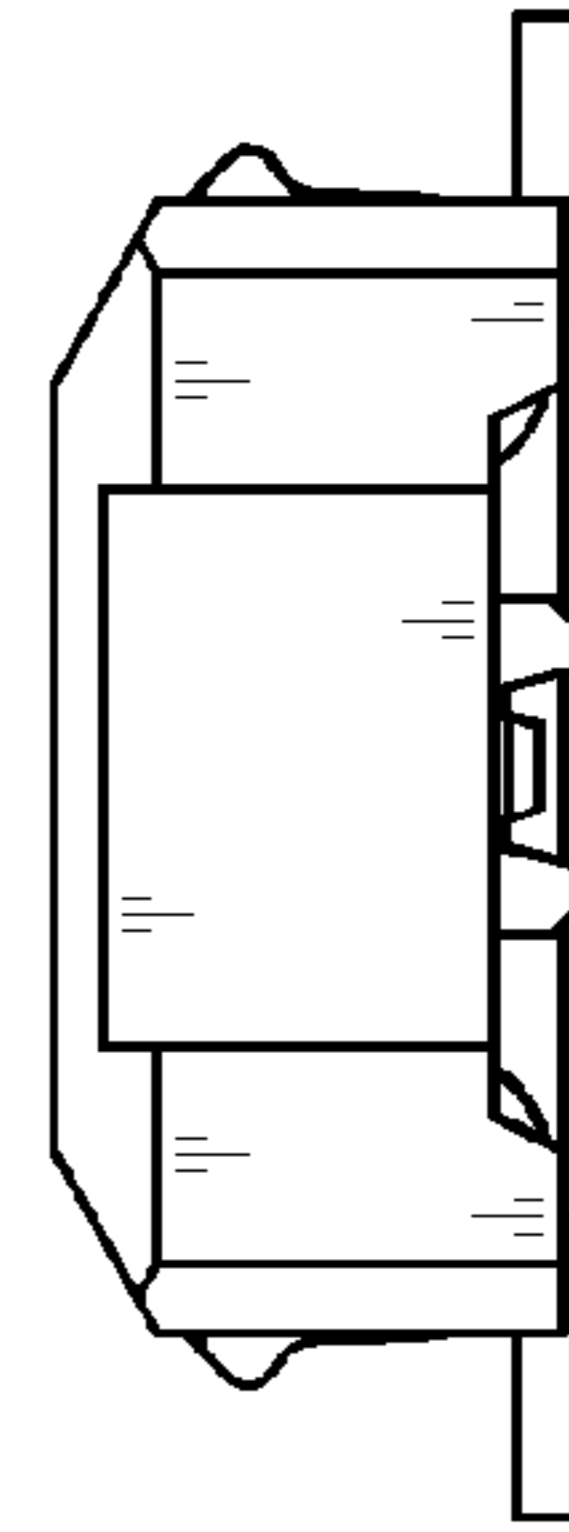
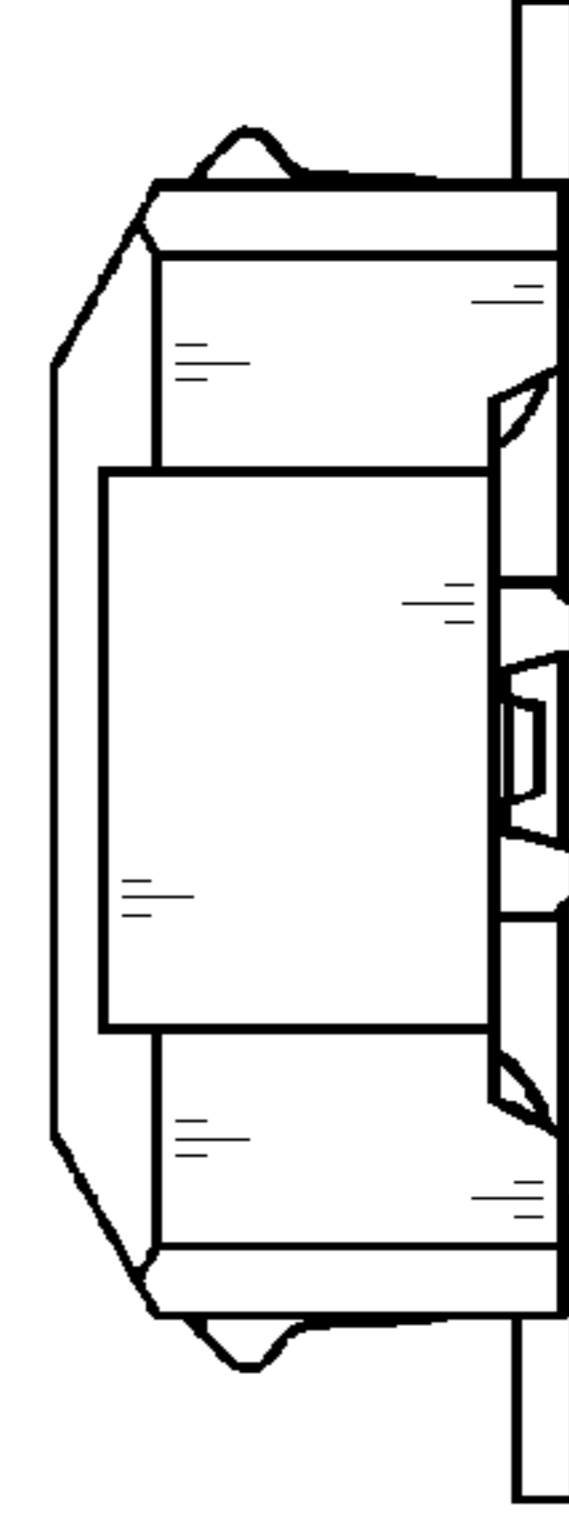


Fig. 6



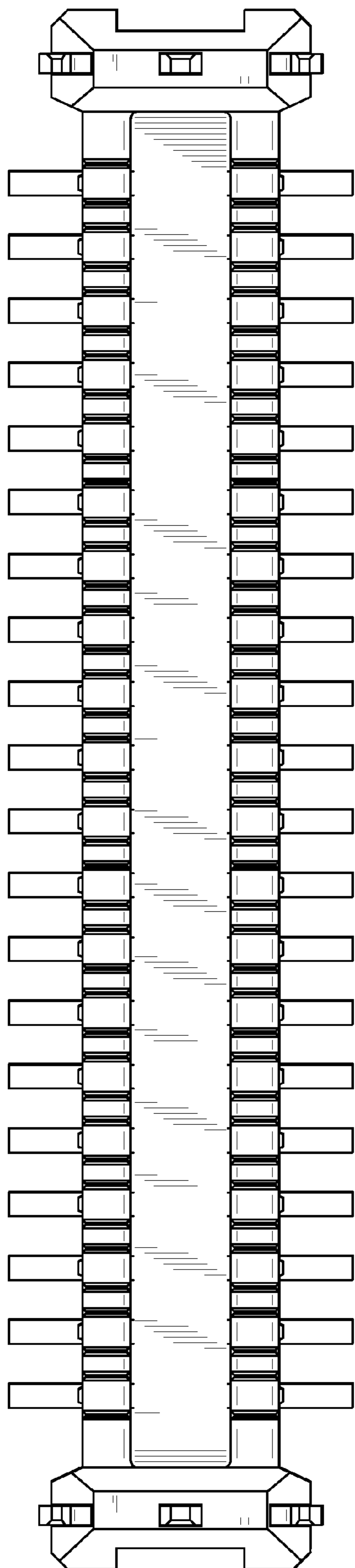


Fig. 7

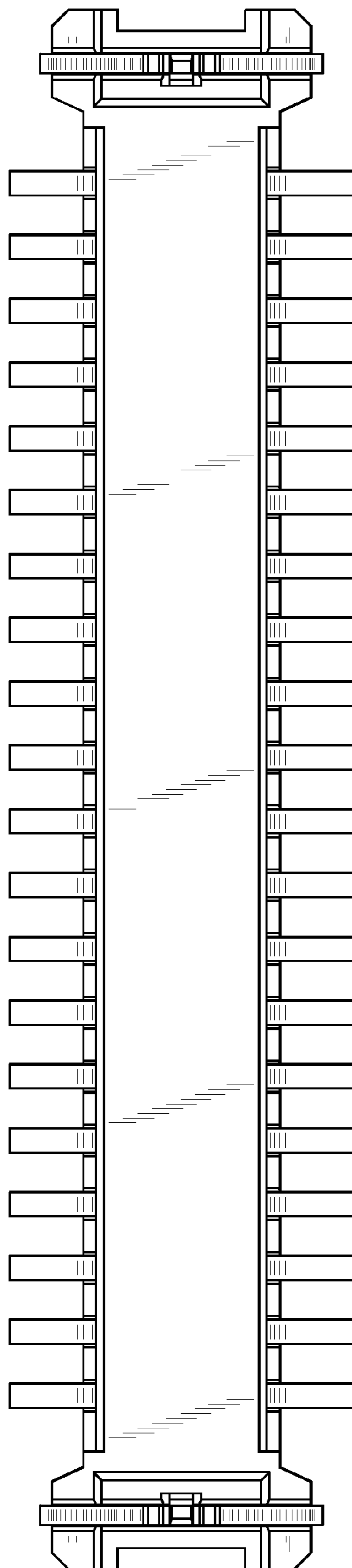


Fig. 8

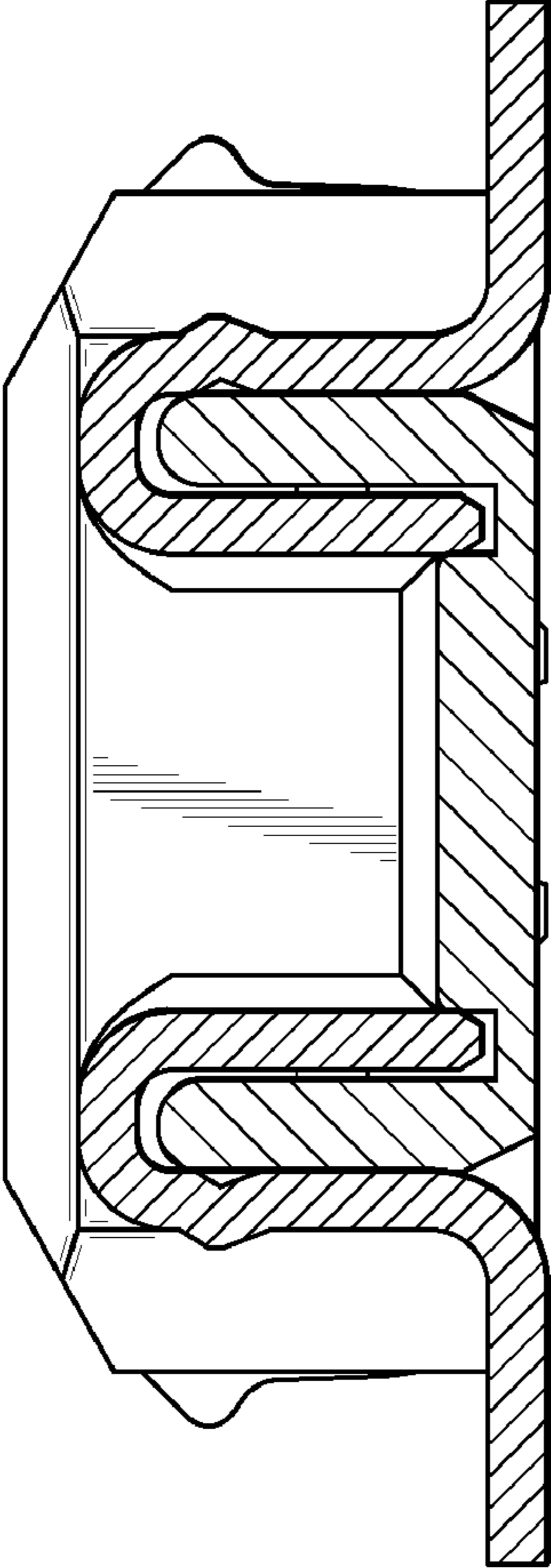


Fig. 9

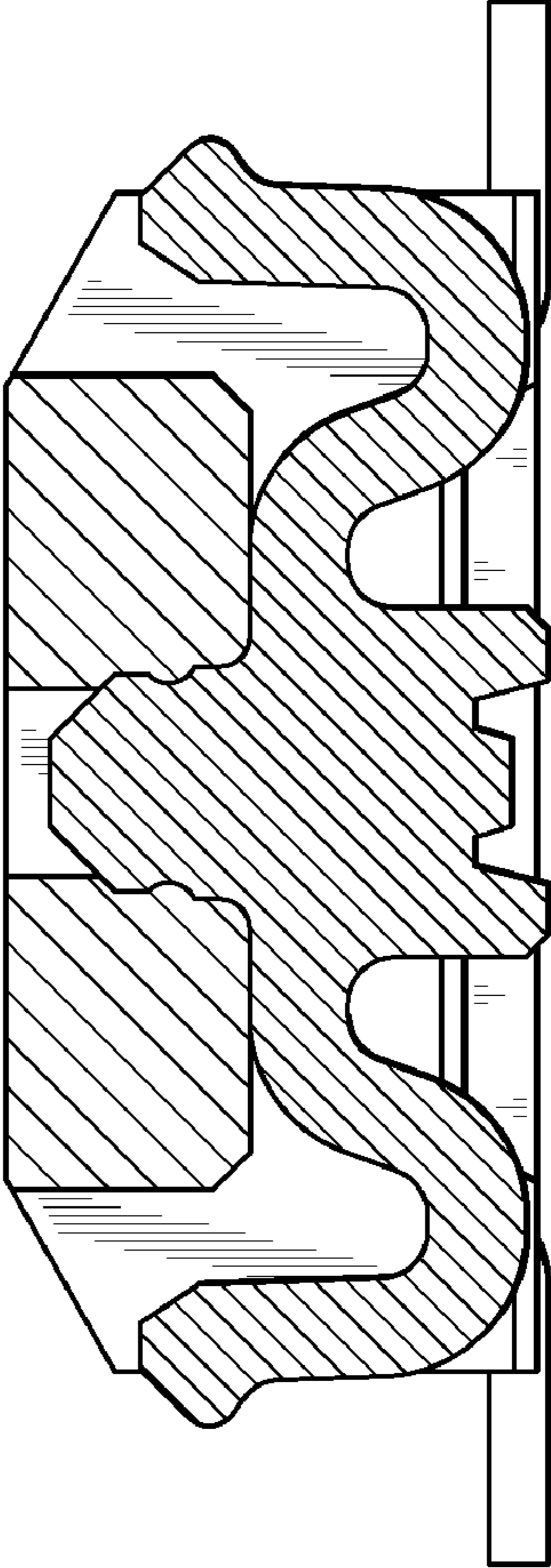


Fig. 10