

US00D598861S

(12) **United States Design Patent**
Hoshino et al.

(10) **Patent No.:** **US D598,861 S**

(45) **Date of Patent:** **** Aug. 25, 2009**

(54) **SOCKET**

(75) Inventors: **Hirokazu Hoshino**, Kyoto (JP); **Yusuke Shimura**, Kyoto (JP)

(73) Assignee: **Omron Corporation**, Kyoto (JP)

(**) Term: **14 Years**

(21) Appl. No.: **29/309,923**

(22) Filed: **Nov. 12, 2008**

(30) **Foreign Application Priority Data**

May 12, 2008 (JP) D 2008-011728

(51) **LOC (9) Cl.** **13-03**

(52) **U.S. Cl.** **D13/147**

(58) **Field of Classification Search** D13/133,
D13/147, 154, 184; D14/433, 435, 436,
D14/438; 439/64, 79, 108, 159-160, 260,
439/325-326, 329, 394-395, 607-610, 629-630,
439/946

See application file for complete search history.

(56) **References Cited**

U.S. PATENT DOCUMENTS

D501,448 S * 2/2005 Ishikawa D13/147
7,037,117 B2 * 5/2006 Goto 439/74
D539,225 S * 3/2007 Kishi et al. D13/147
D539,227 S * 3/2007 Yamada et al. D13/147

D562,770 S * 2/2008 Obikane D13/147
D570,289 S * 6/2008 Obikane D13/147
D576,103 S * 9/2008 Kojima et al. D13/147
2007/0105408 A1 * 5/2007 Ookura 439/74

* cited by examiner

Primary Examiner—Daniel D Bui

(74) *Attorney, Agent, or Firm*—Harness, Dickey & Pierce

(57) **CLAIM**

The ornamental design for a socket, as shown and described.

DESCRIPTION

FIG. 1 is a top perspective view of a socket showing our new design;

FIG. 2 is a bottom perspective view thereof;

FIG. 3 is a front elevational view thereof;

FIG. 4 is a rear elevational view thereof;

FIG. 5 is a left side view thereof;

FIG. 6 is a right side view thereof;

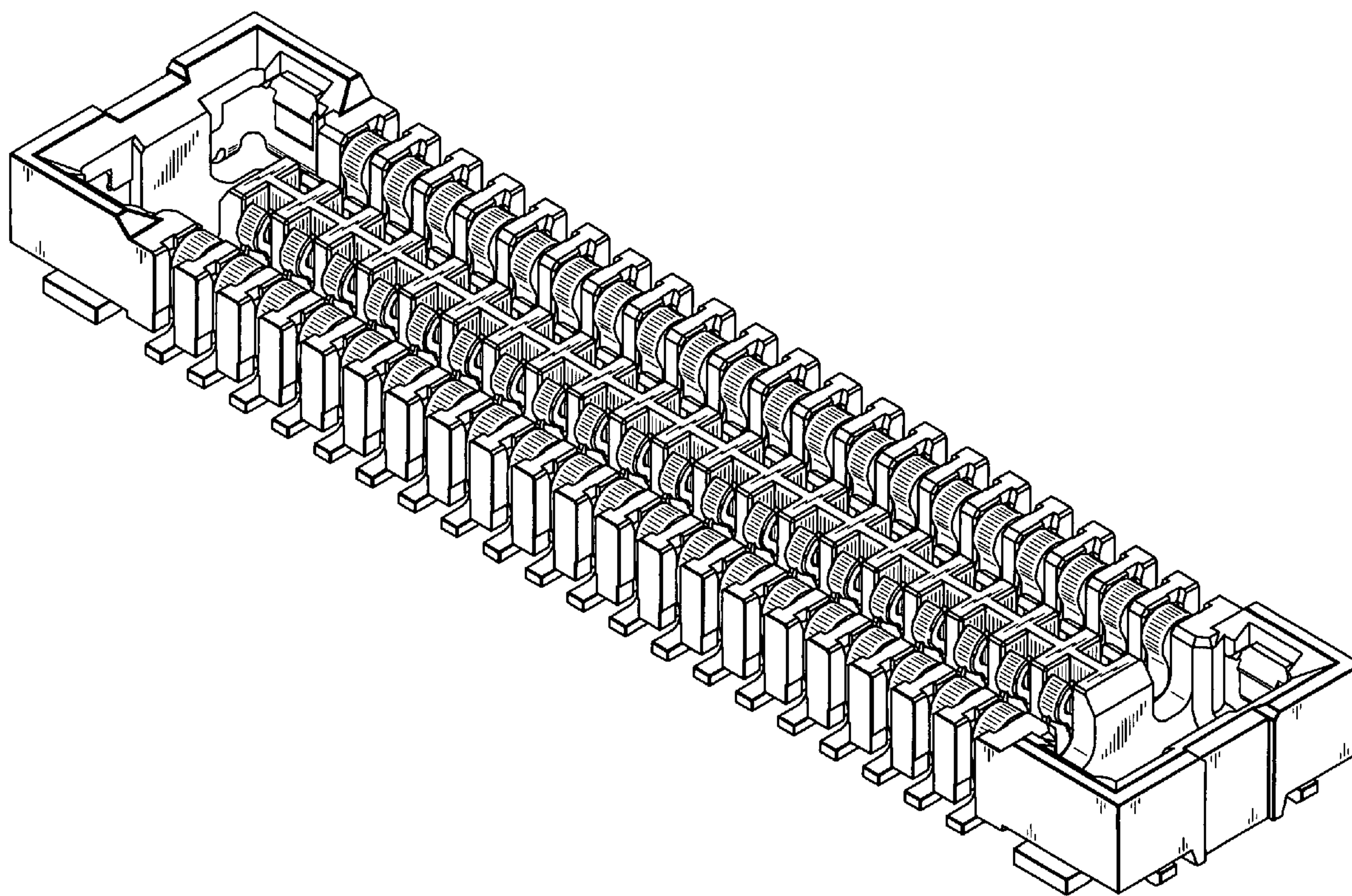
FIG. 7 is a top plan view thereof;

FIG. 8 is a bottom plan view thereof;

FIG. 9 is an enlarged cross-sectional view taken along the line of IX—IX of FIG. 3; and,

FIG. 10 is an enlarged cross-section view taken along the line of X—X of FIG. 3.

1 Claim, 5 Drawing Sheets



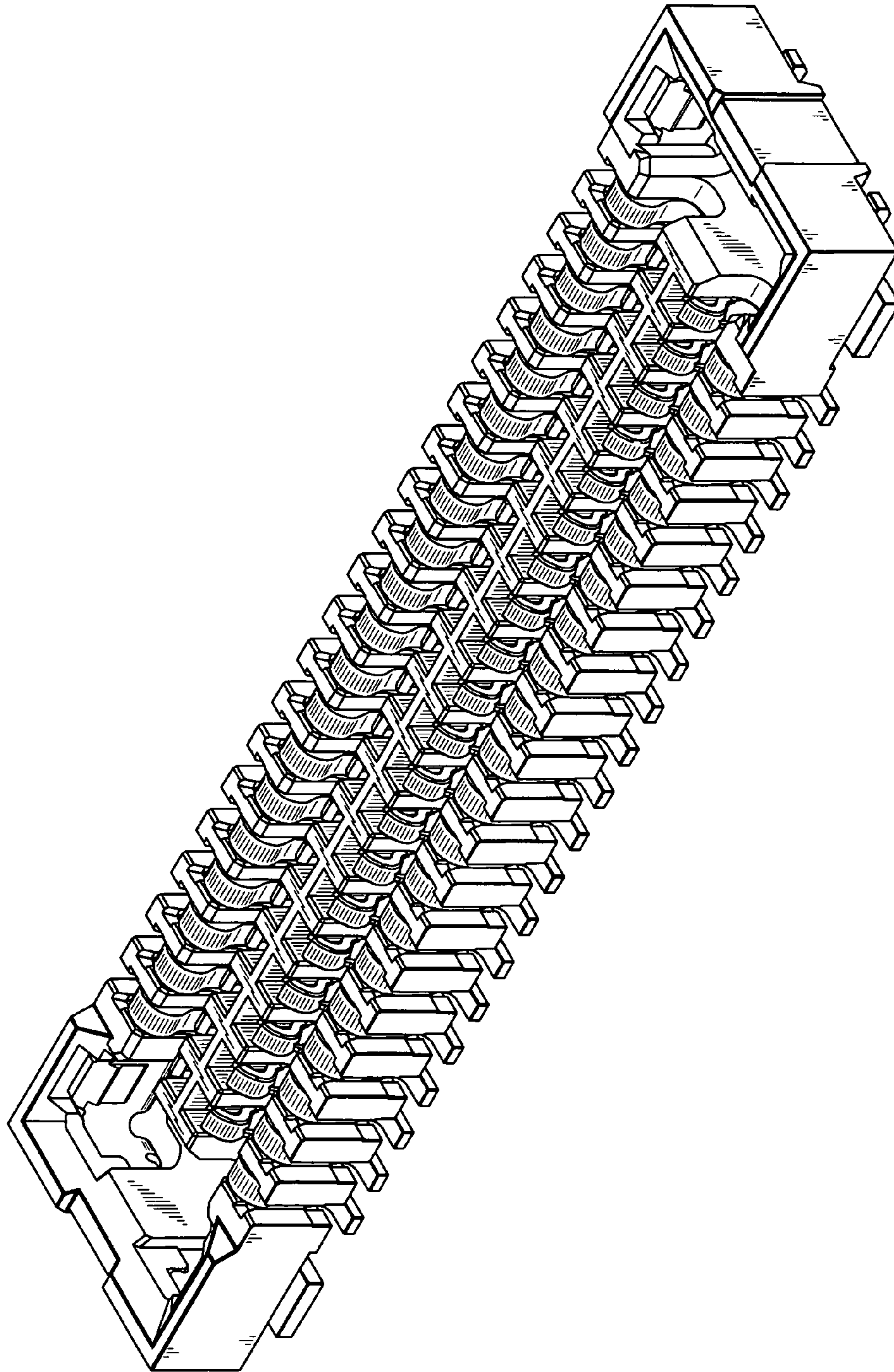


Fig. 1

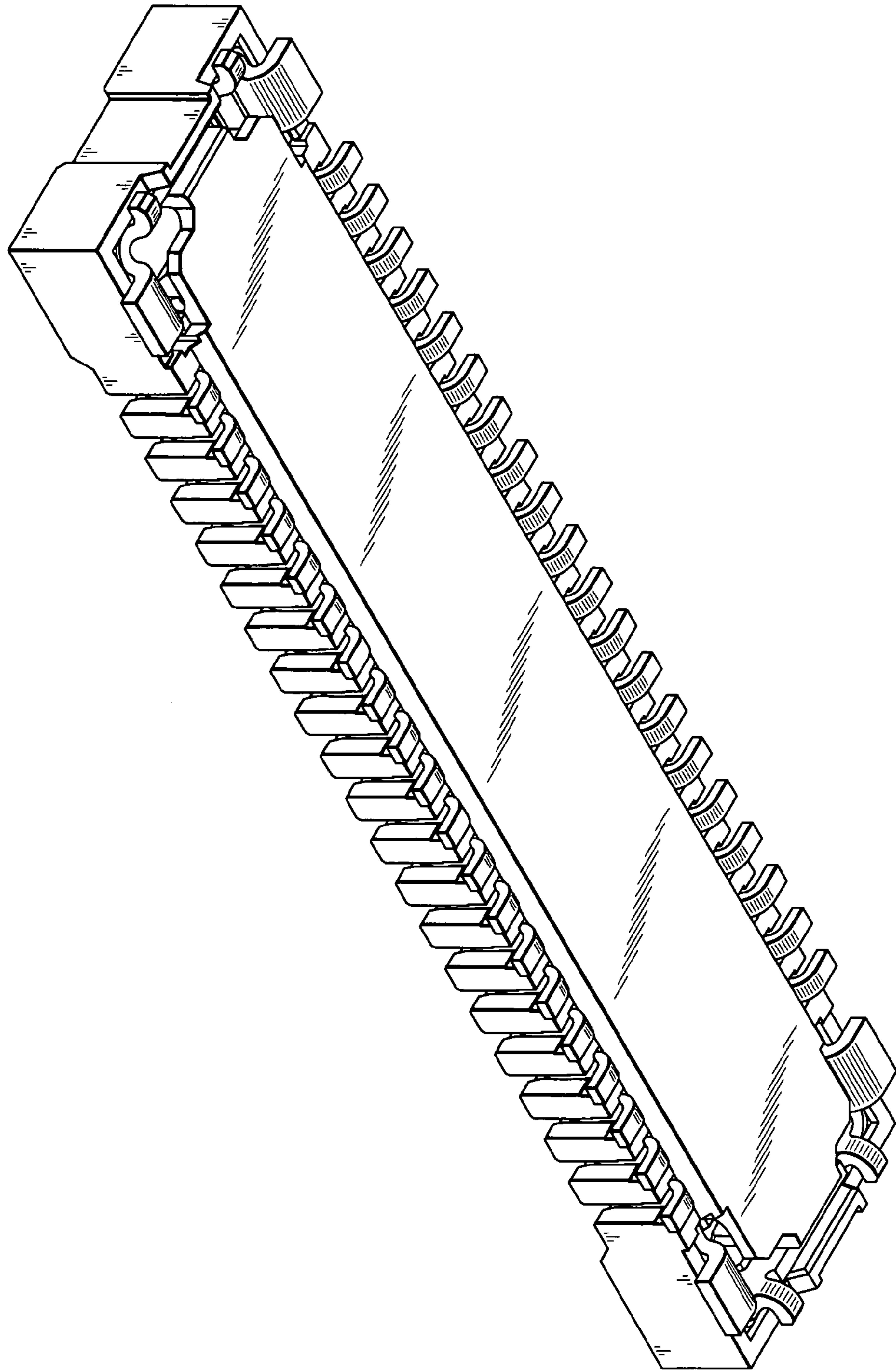


Fig. 2

Fig. 3

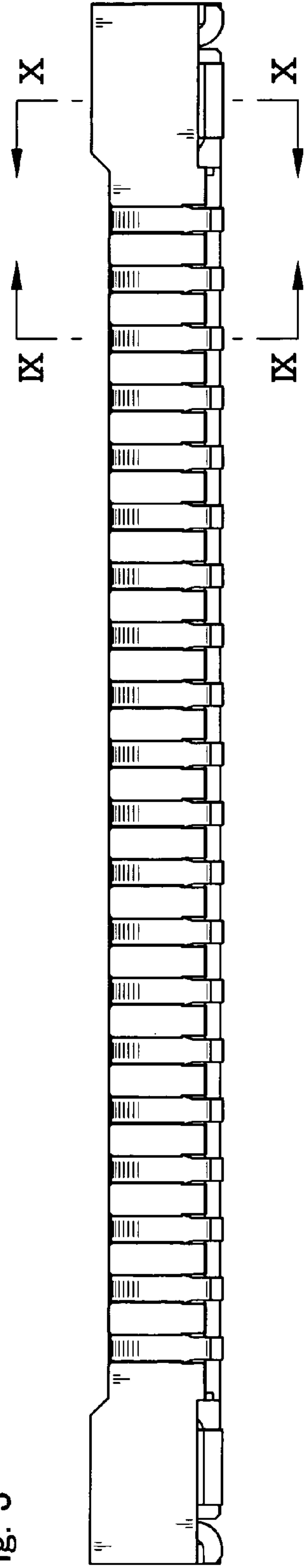


Fig. 4

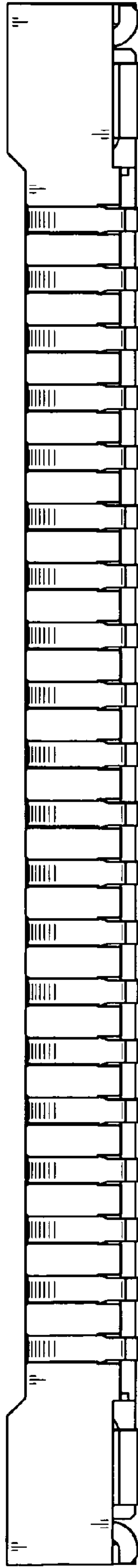


Fig. 5

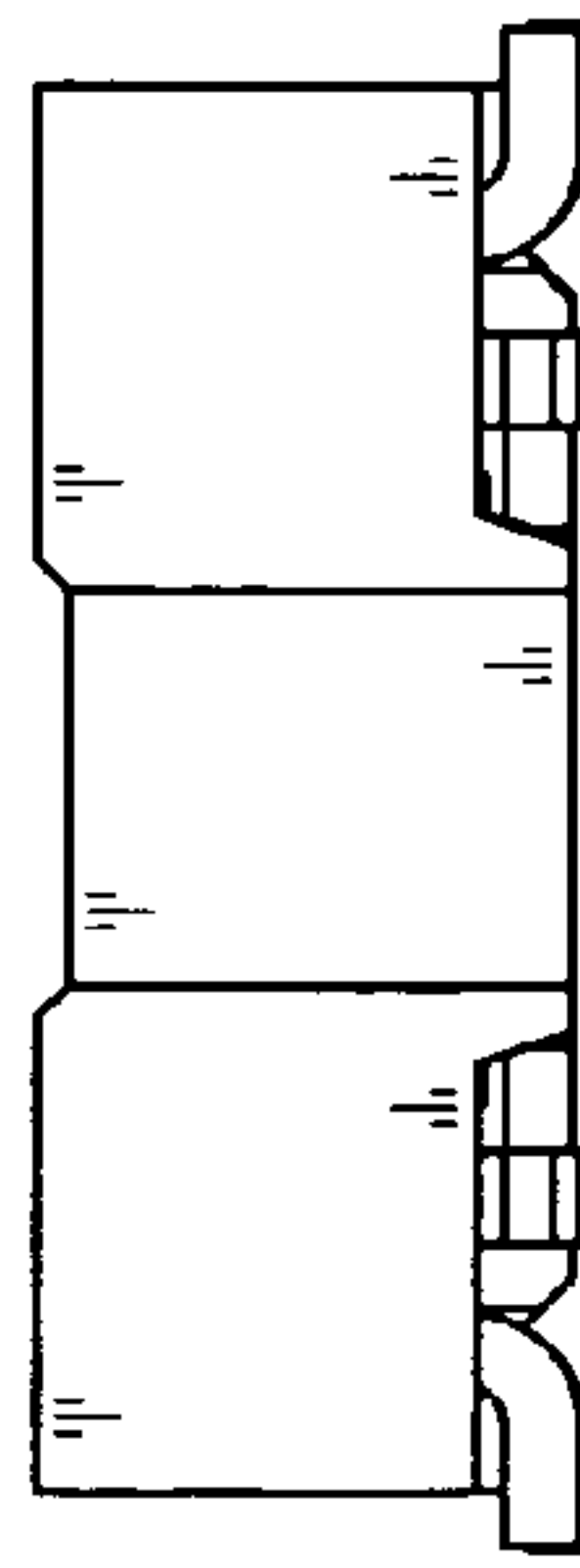
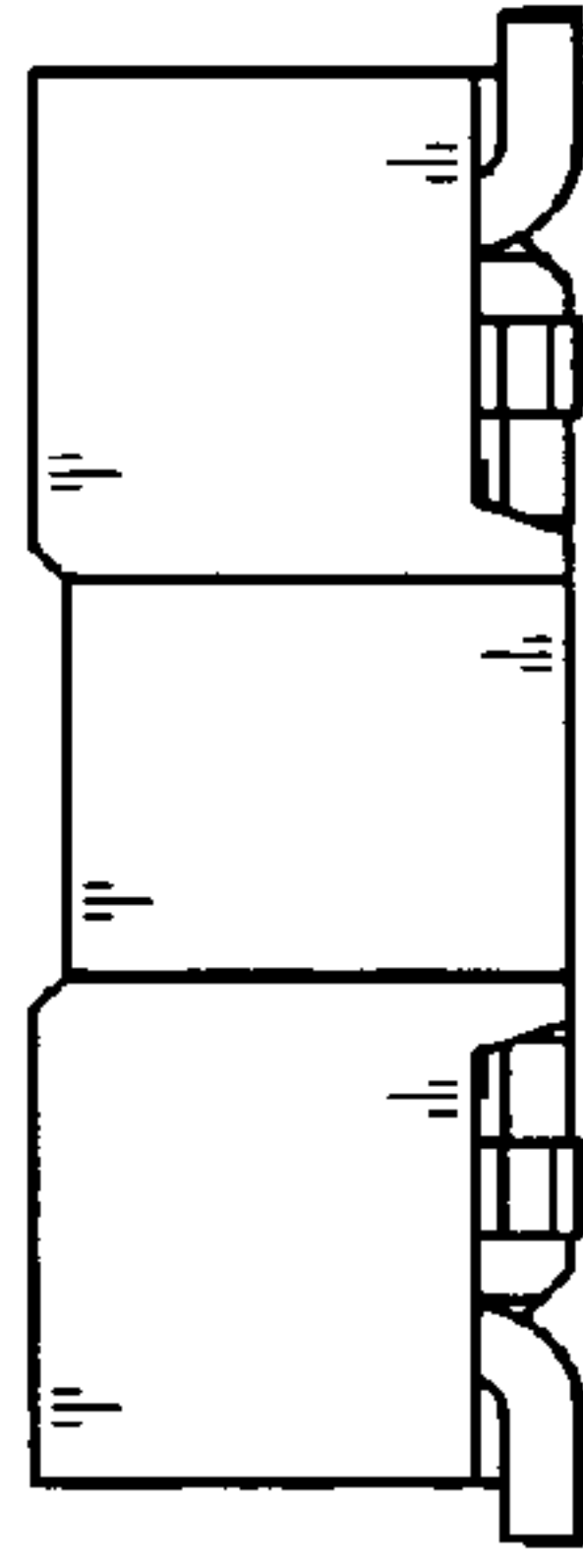


Fig. 6



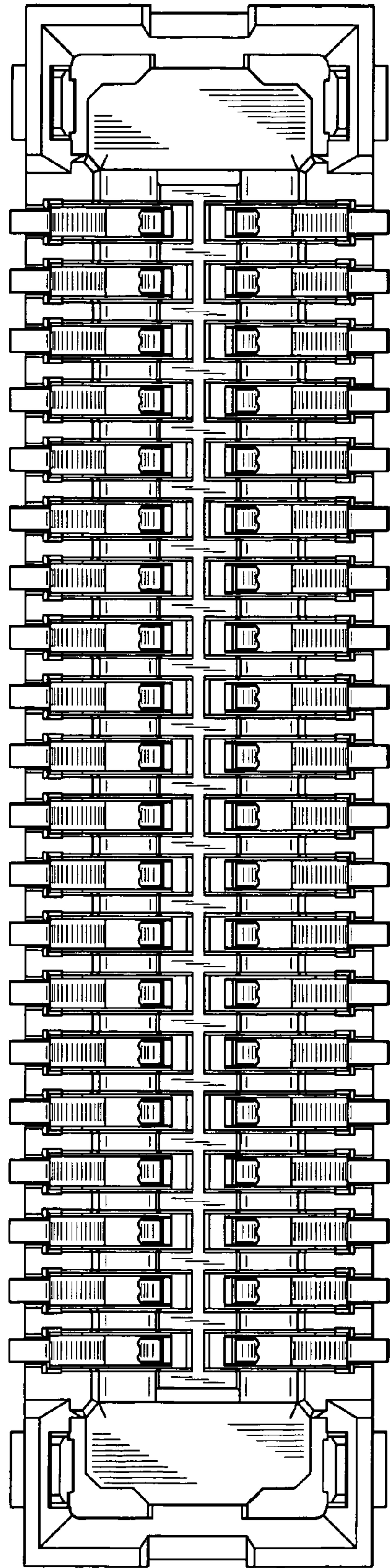


Fig. 7

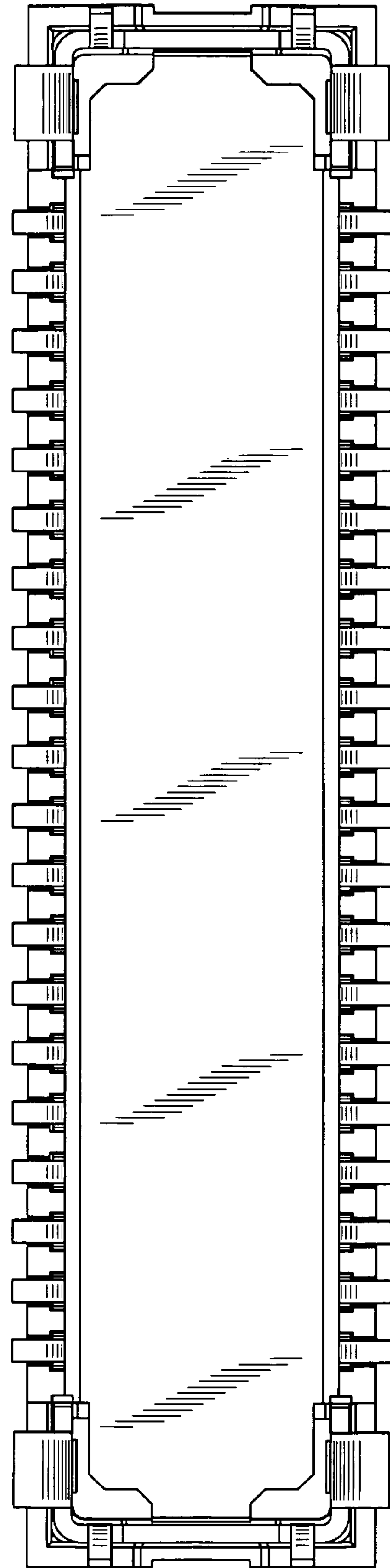


Fig. 8

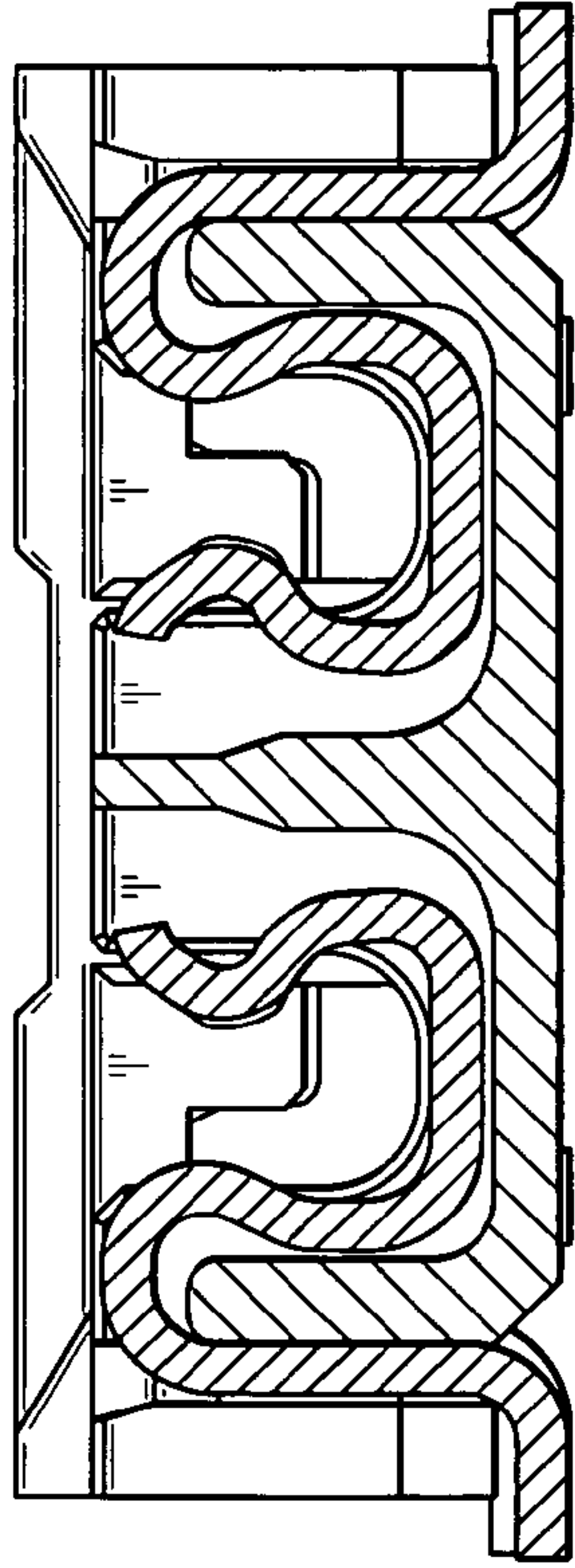


Fig. 9

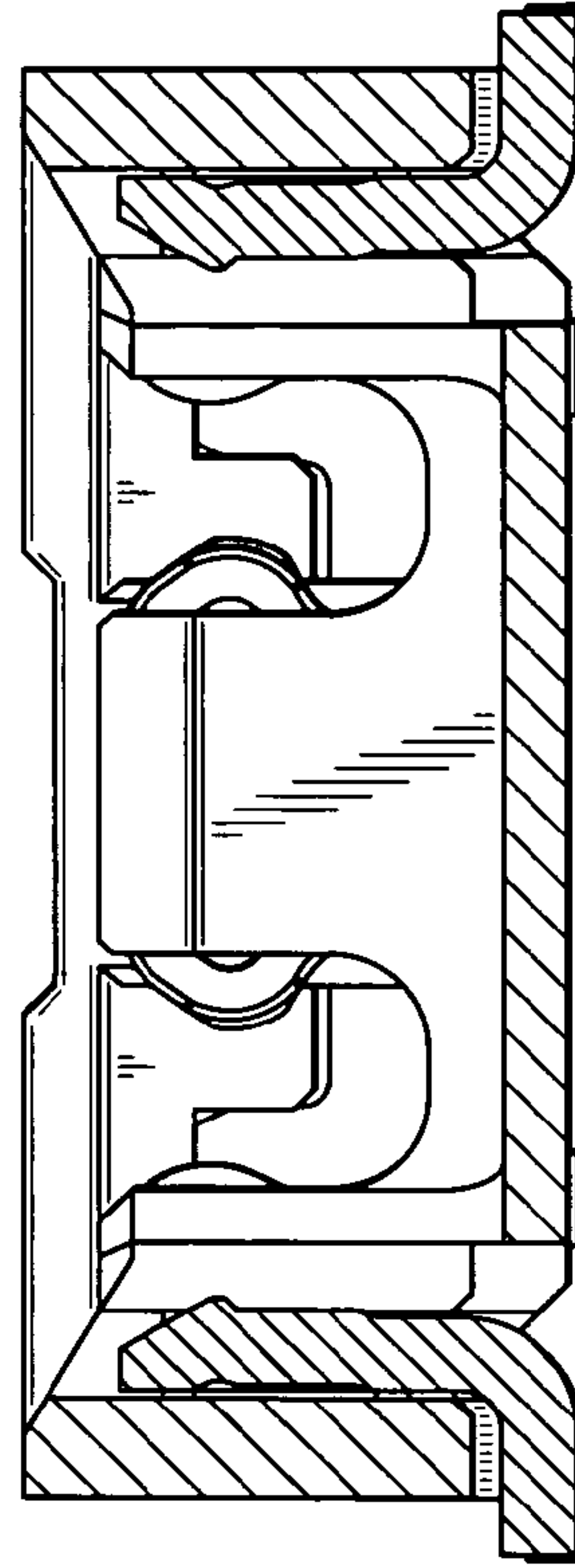


Fig. 10