

US00D598860S

(12) **United States Design Patent**
Nishio et al.

(10) **Patent No.:** **US D598,860 S**

(45) **Date of Patent:** **** Aug. 25, 2009**

(54) **ELECTRIC CONNECTOR**

2008/0280468 A1* 11/2008 Ting 439/160

(75) Inventors: **Atsushi Nishio**, Tokyo (JP); **Shinichi Asano**, Tokyo (JP); **Yoshihiro Ishikawa**, Tokyo (JP)

* cited by examiner

Primary Examiner—Daniel D Bui

(74) *Attorney, Agent, or Firm*—Sughrue Mion, PLLC

(73) Assignee: **Mitsumi Electric Co., Ltd**, Tokyo (JP)

(57) **CLAIM**

(**) Term: **14 Years**

The ornamental design for an electric connector, as shown.

(21) Appl. No.: **29/274,071**

(22) Filed: **Mar. 27, 2007**

DESCRIPTION

(30) **Foreign Application Priority Data**

Sep. 27, 2006 (JP) 2006-025908

FIG. 1 is a perspective view of the top, front and left side of an electric connector showing our new design.

FIG. 2 is a front elevational view thereof;

FIG. 3 is a rear elevational view thereof;

FIG. 4 is a left side elevational view thereof;

FIG. 5 is a right side elevational view thereof;

FIG. 6 is a top plan view thereof; and,

FIG. 7 is a bottom plan view thereof.

(51) **LOC (9) Cl.** **13-03**

(52) **U.S. Cl.** **D13/147**

(58) **Field of Classification Search** D13/133,
D13/146-147, 154, 184; 439/79, 83, 108,
439/607-610, 639

See application file for complete search history.

The elements shown in the drawing figures using broken lines depict environmental structure only, and form no part of the claimed design.

(56) **References Cited**

U.S. PATENT DOCUMENTS

D535,618 S * 1/2007 Hu et al. D13/133

D555,091 S * 11/2007 Kawase et al. D13/133

1 Claim, 4 Drawing Sheets

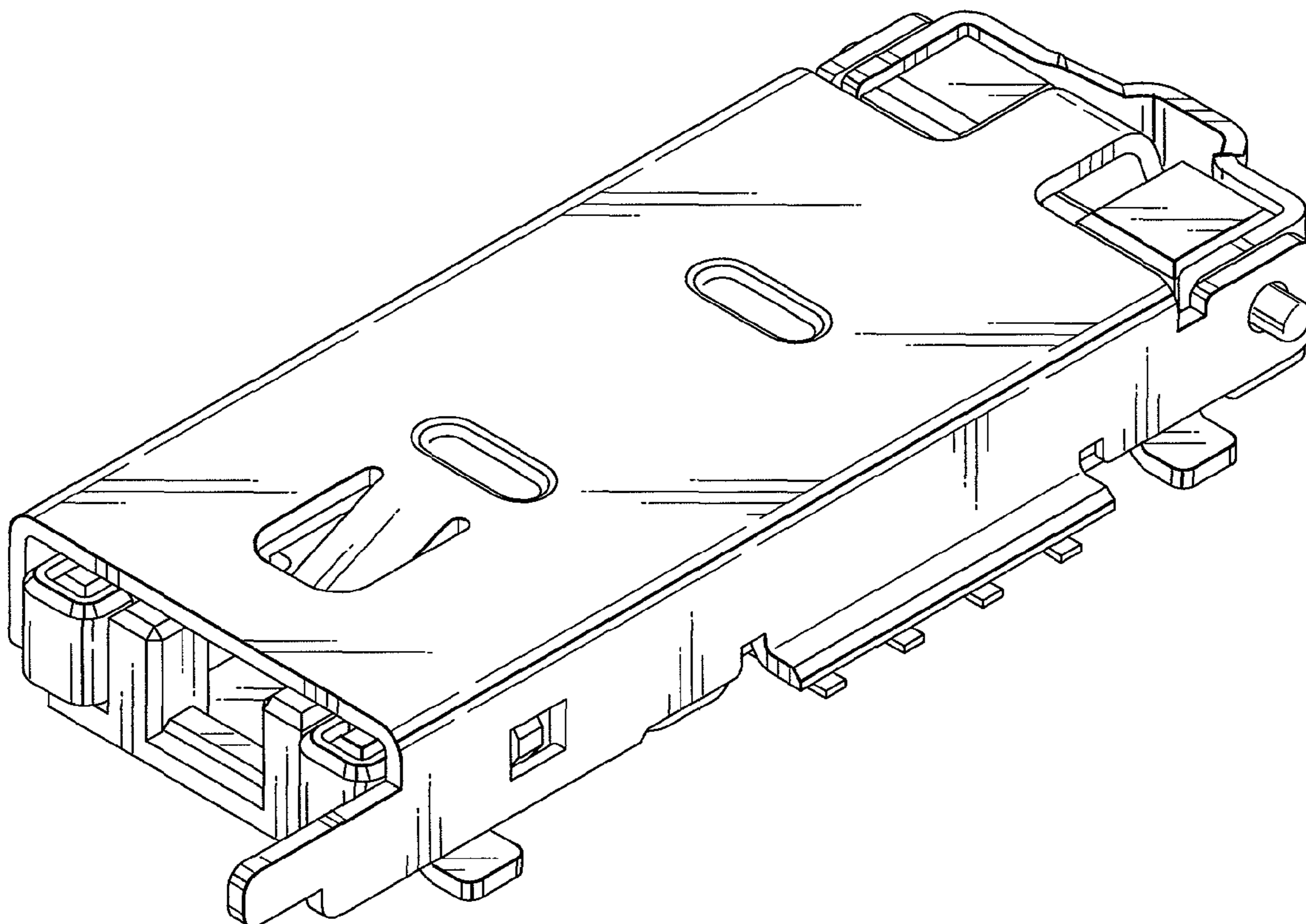


FIG.1

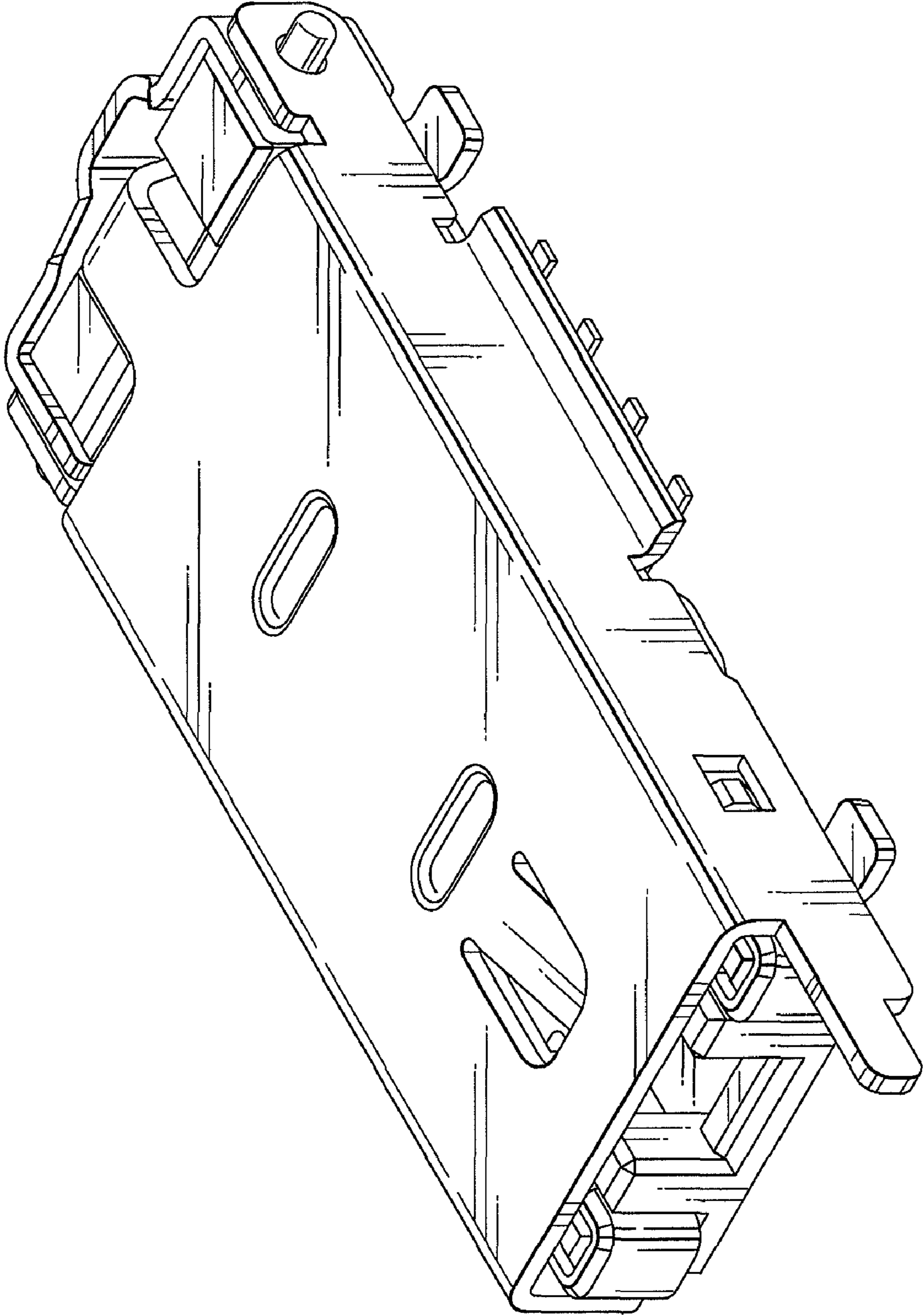


FIG.2

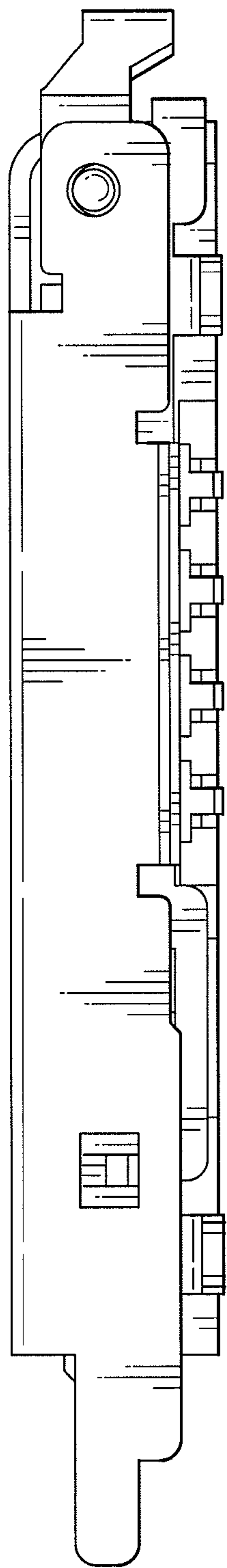


FIG.3

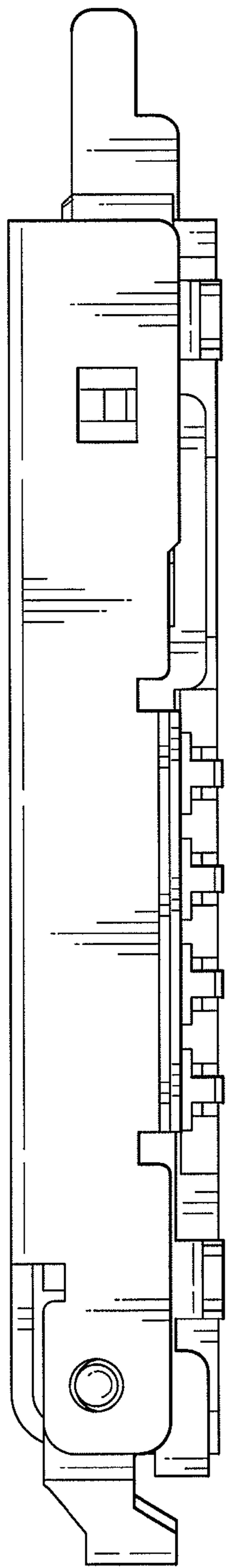


FIG.4

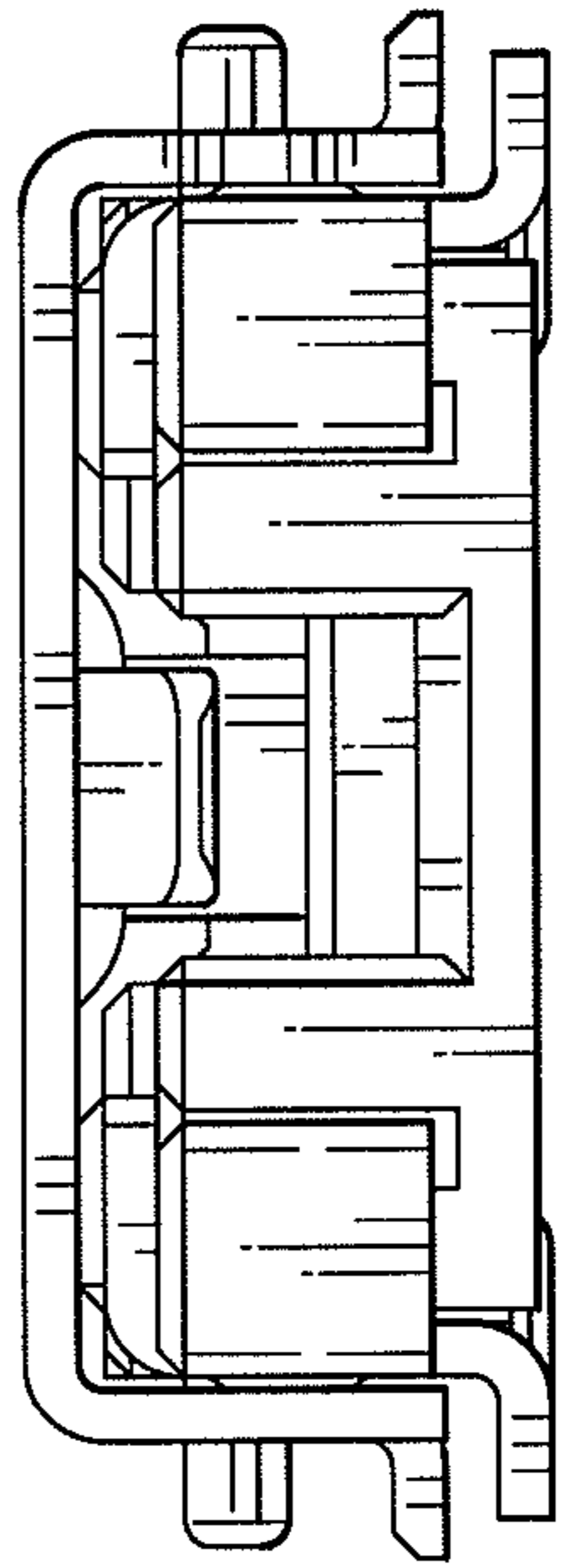


FIG.5

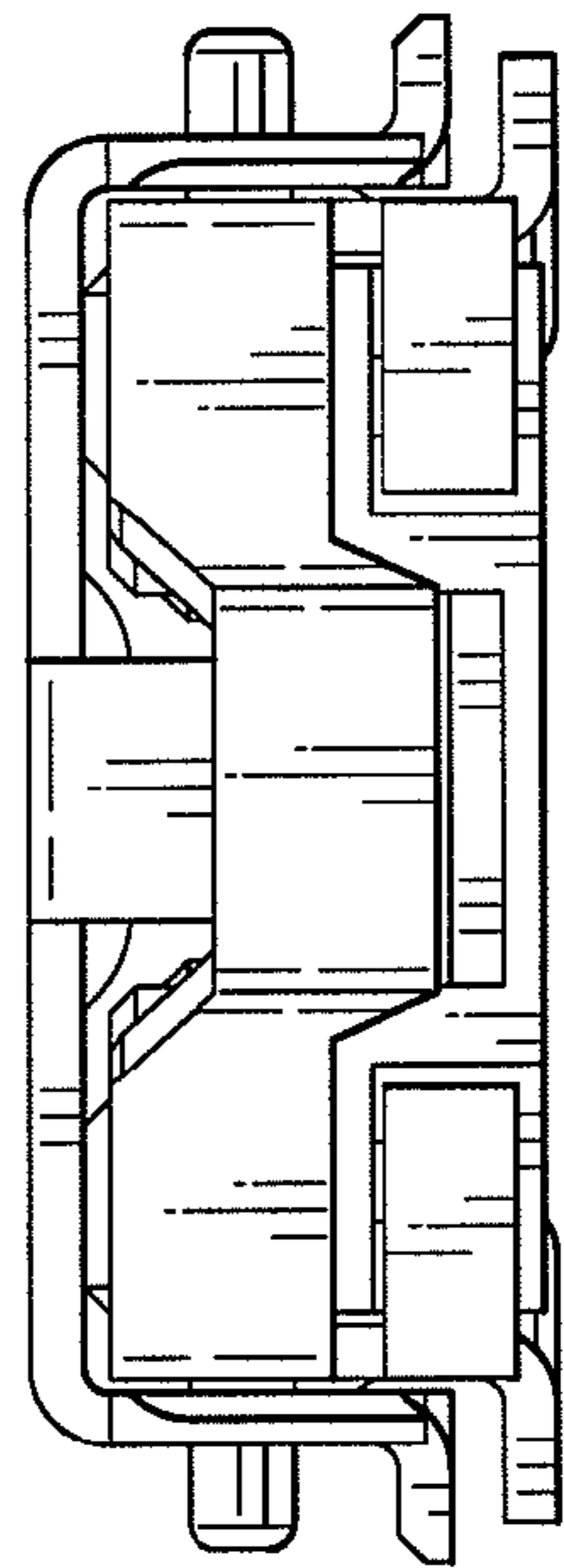


FIG.6

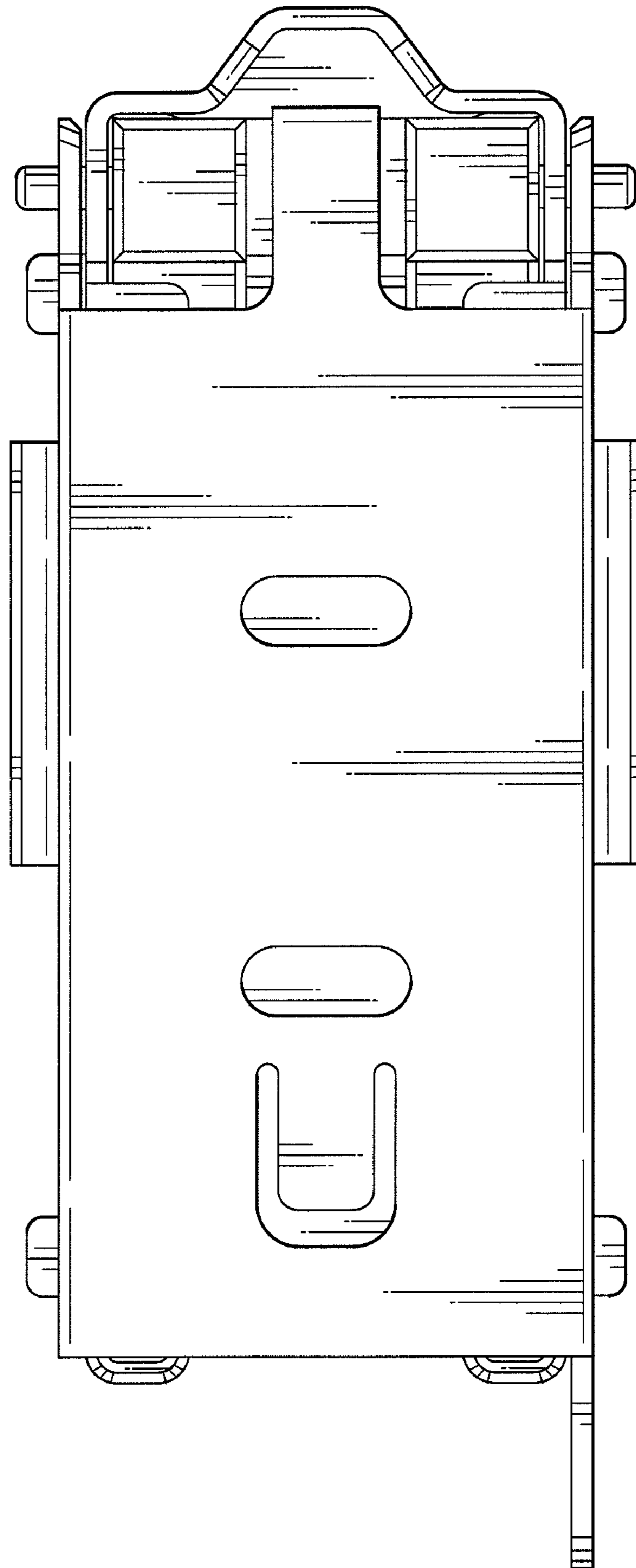


FIG. 7

