



US00D598856S

(12) **United States Design Patent**
Stromiedel et al.

(10) **Patent No.:** **US D598,856 S**

(45) **Date of Patent:** **** Aug. 25, 2009**

(54) **CABLE CLAMP**

(75) Inventors: **Konrad Stromiedel**, Sondershausen (DE); **Thomas Truemper**, Breitenbach (DE)

(73) Assignee: **WAGO Verwaltungsgesellschaft mbH**, Minden (DE)

(**) Term: **14 Years**

(21) Appl. No.: **29/306,040**

(22) Filed: **Apr. 1, 2008**

(30) **Foreign Application Priority Data**

Oct. 4, 2007 (DE) 4 07 04 991
Oct. 4, 2007 (DE) 4 07 05 031

(51) **LOC (9) Cl.** **13-03**

(52) **U.S. Cl.** **D13/133; D13/149**

(58) **Field of Classification Search** D13/133, D13/146, 147, 149, 151-156, 184, 199; 439/79, 439/101, 108, 344, 350, 352, 447, 557, 571, 439/573, 540.1, 541.5, 607, 608, 63, 271; D8/354, 356; D14/217; 174/50, 59; 333/100; 578/581

See application file for complete search history.

(56) **References Cited**

U.S. PATENT DOCUMENTS

5,417,583 A * 5/1995 Ishizaki et al. 439/409
5,975,940 A * 11/1999 Hartmann et al. 439/441
D475,973 S * 6/2003 Xu et al. D13/147

D517,014 S * 3/2006 Riku D13/147
D517,015 S * 3/2006 Riku D13/147
D517,486 S * 3/2006 Riku D13/147
D545,765 S * 7/2007 Cockburn D13/147
7,404,745 B1 * 7/2008 Wu 439/811
2006/0099842 A1 * 5/2006 Hayashi 439/271
2006/0144610 A1 * 7/2006 Gelibert 174/72 A

* cited by examiner

Primary Examiner—Daniel D Bui

Assistant Examiner—Thomas J Johannes

(74) *Attorney, Agent, or Firm*—Whitham Curtis Christofferson & Cook, PC

(57) **CLAIM**

We claim the ornamental design for a cable clamp, as shown and described.

DESCRIPTION

FIG. 1 is a perspective view of a cable clamp showing our new design;

FIG. 2 is a top plan view thereof;

FIG. 3 is a left side view thereof;

FIG. 4 is a right side view thereof;

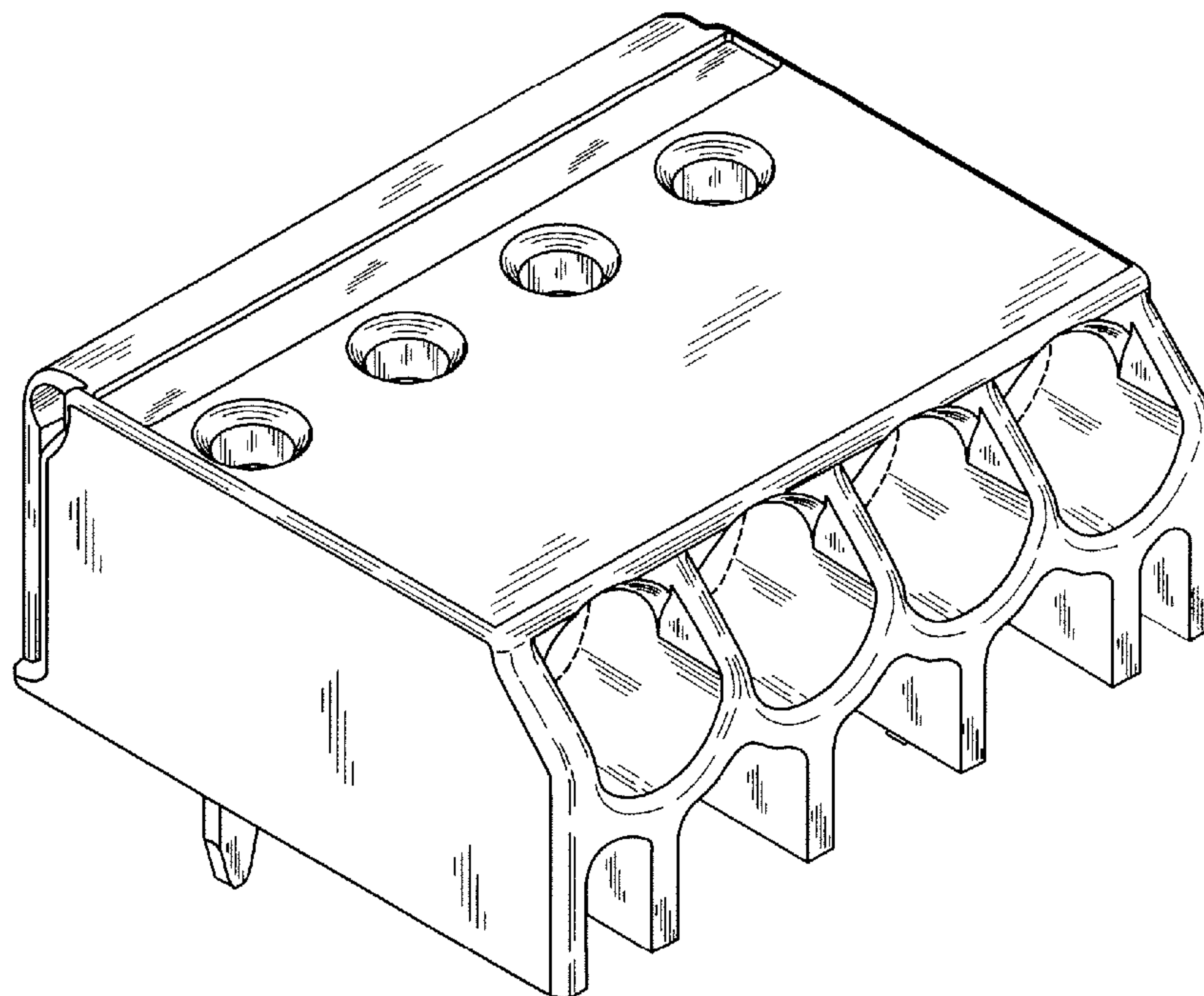
FIG. 5 is a front view thereof;

FIG. 6 is a bottom plan view thereof; and,

FIG. 7 is a rear plan view thereof.

The broken lines showing in FIGS. 1, 2, 5, 6, and 7 are included to show unclaimed subject matter and form no part of the claimed design.

1 Claim, 7 Drawing Sheets



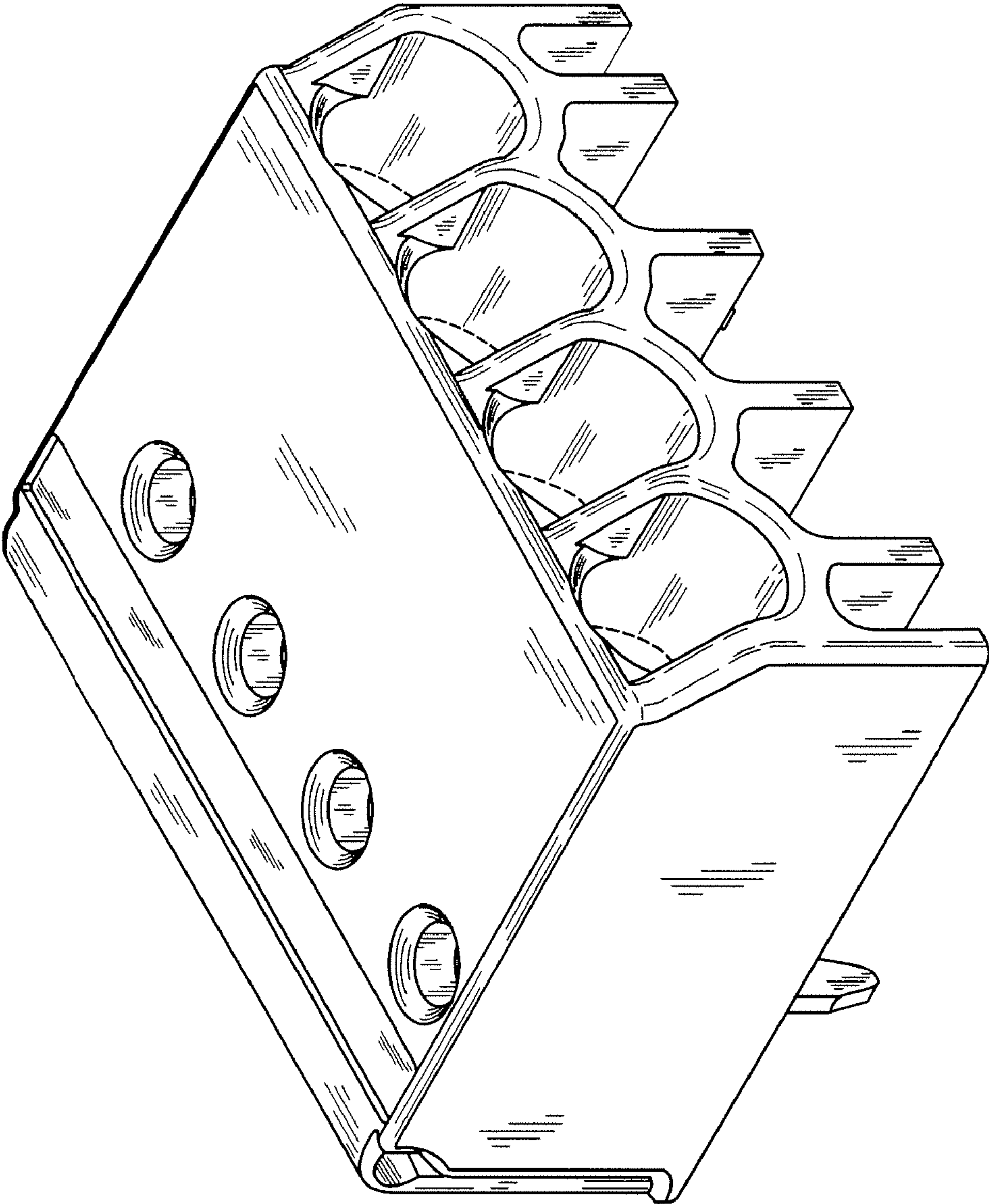


Figure 1

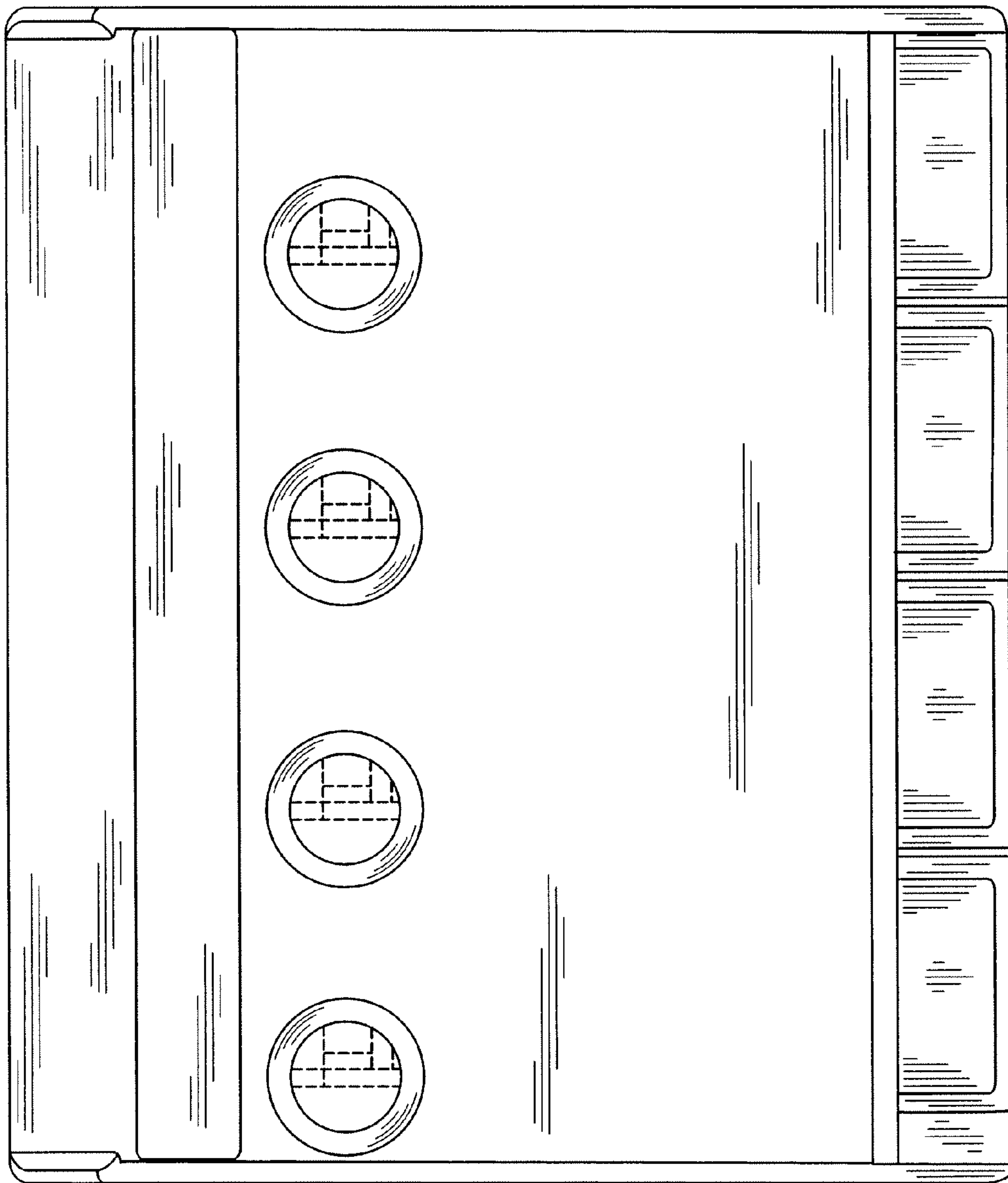


Figure 2

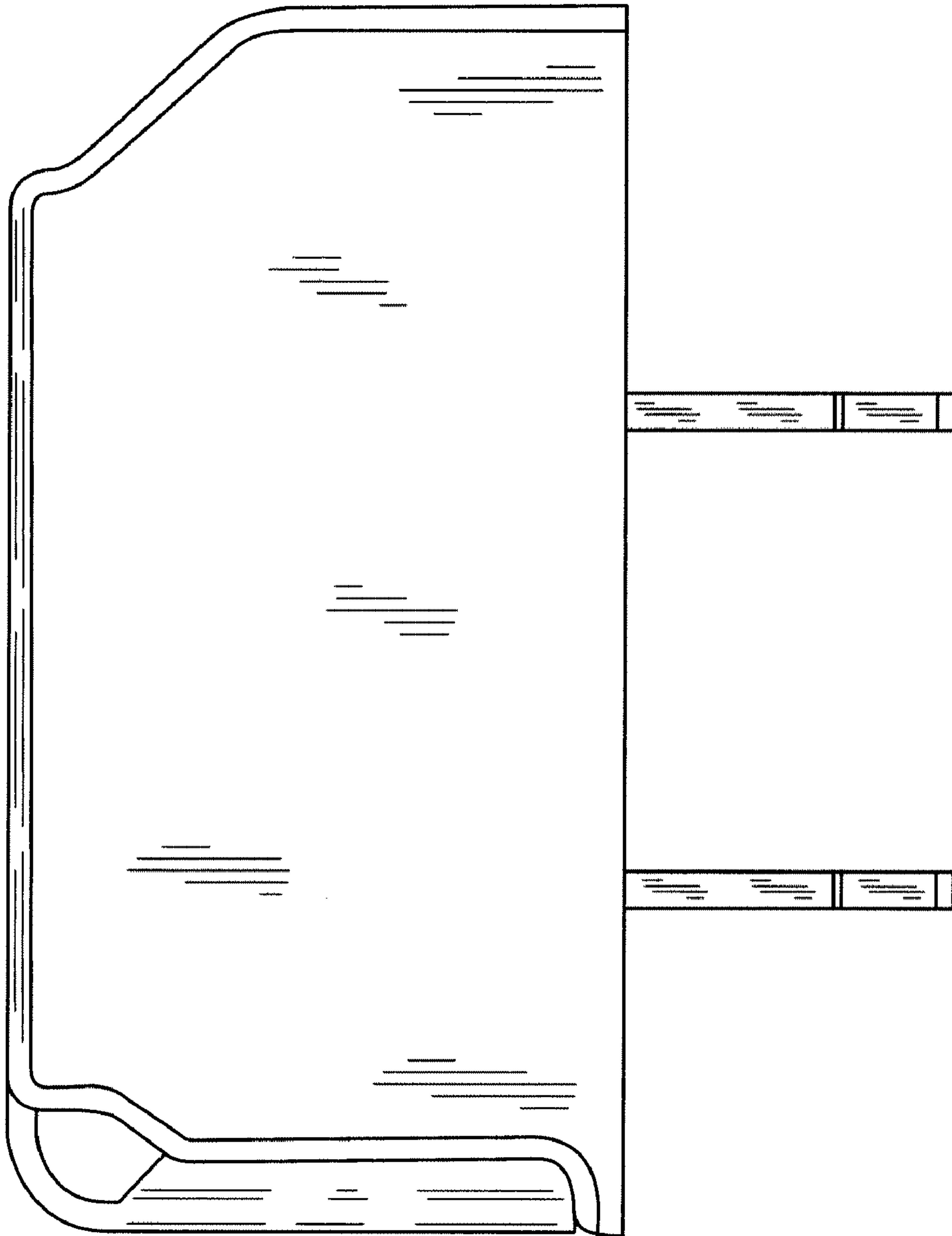


Figure 3

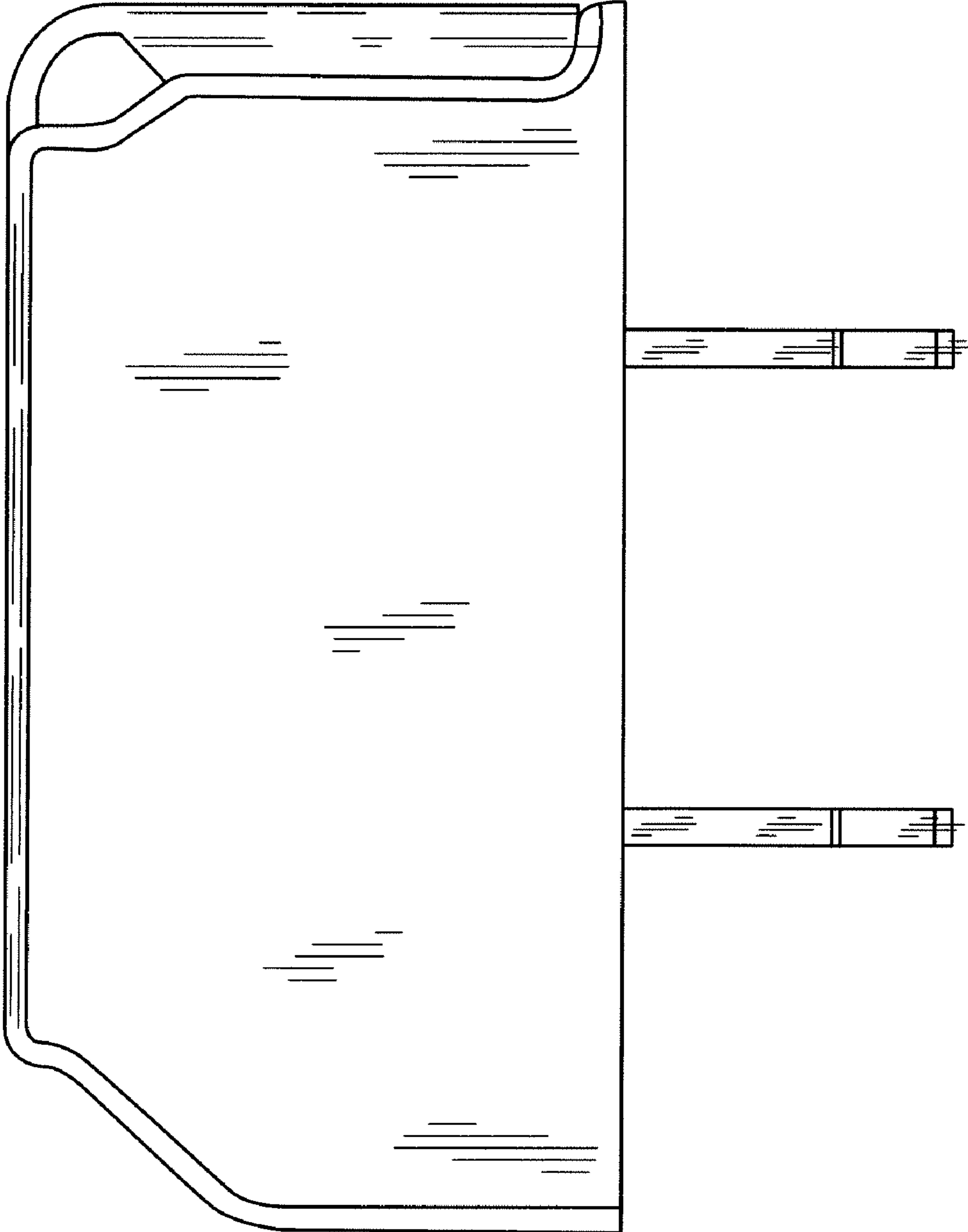


Figure 4

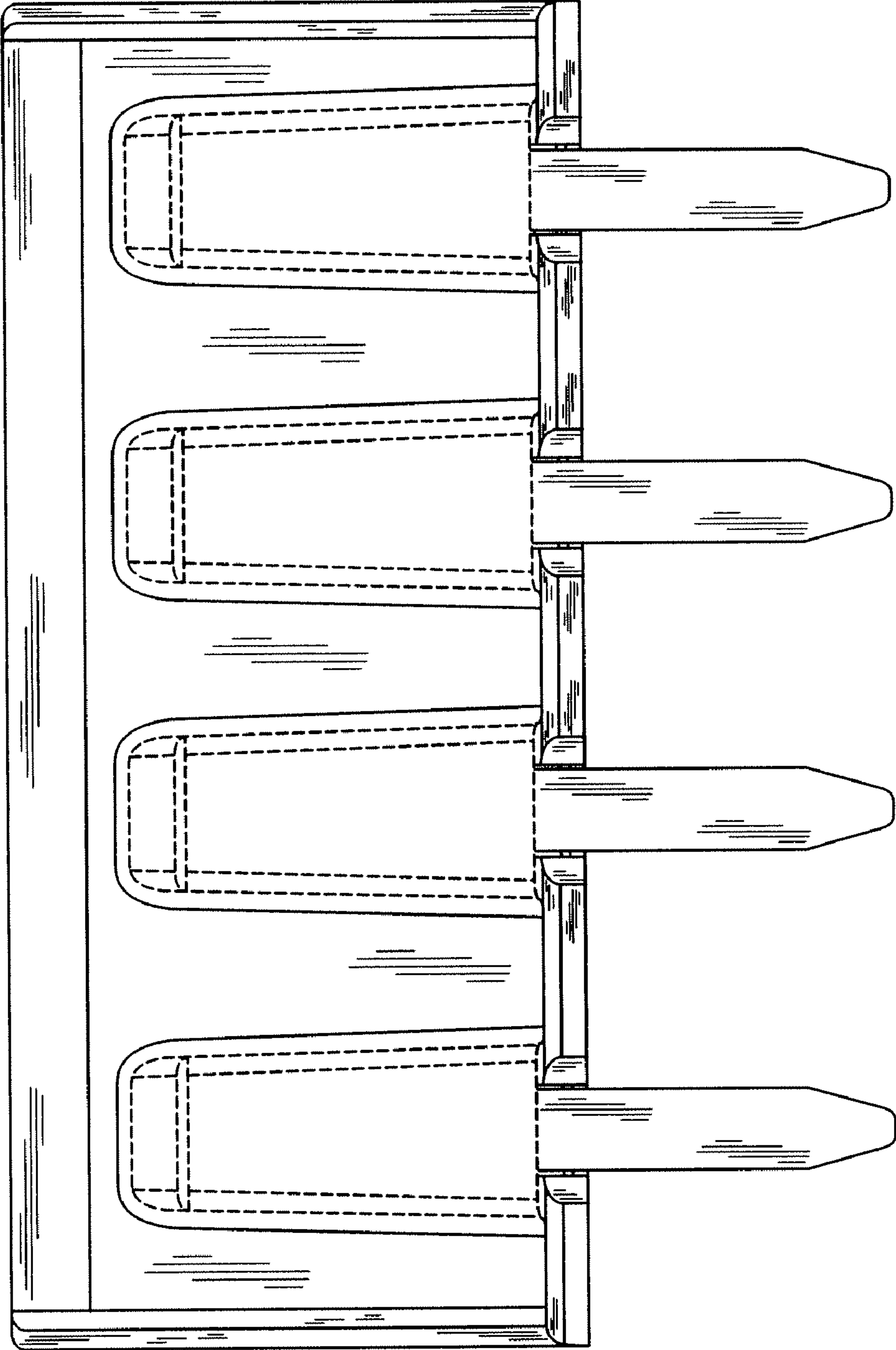


Figure 5

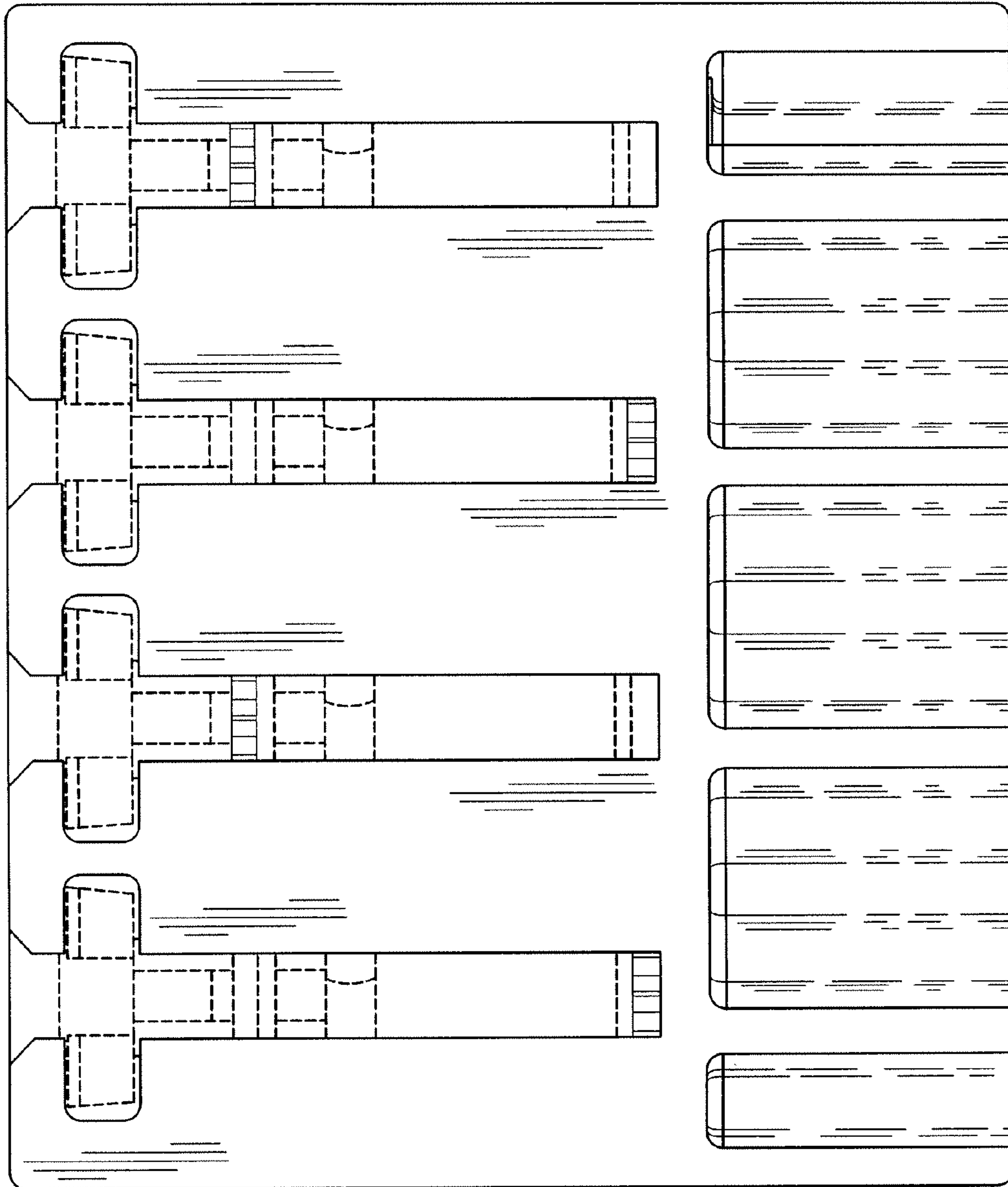


Figure 6

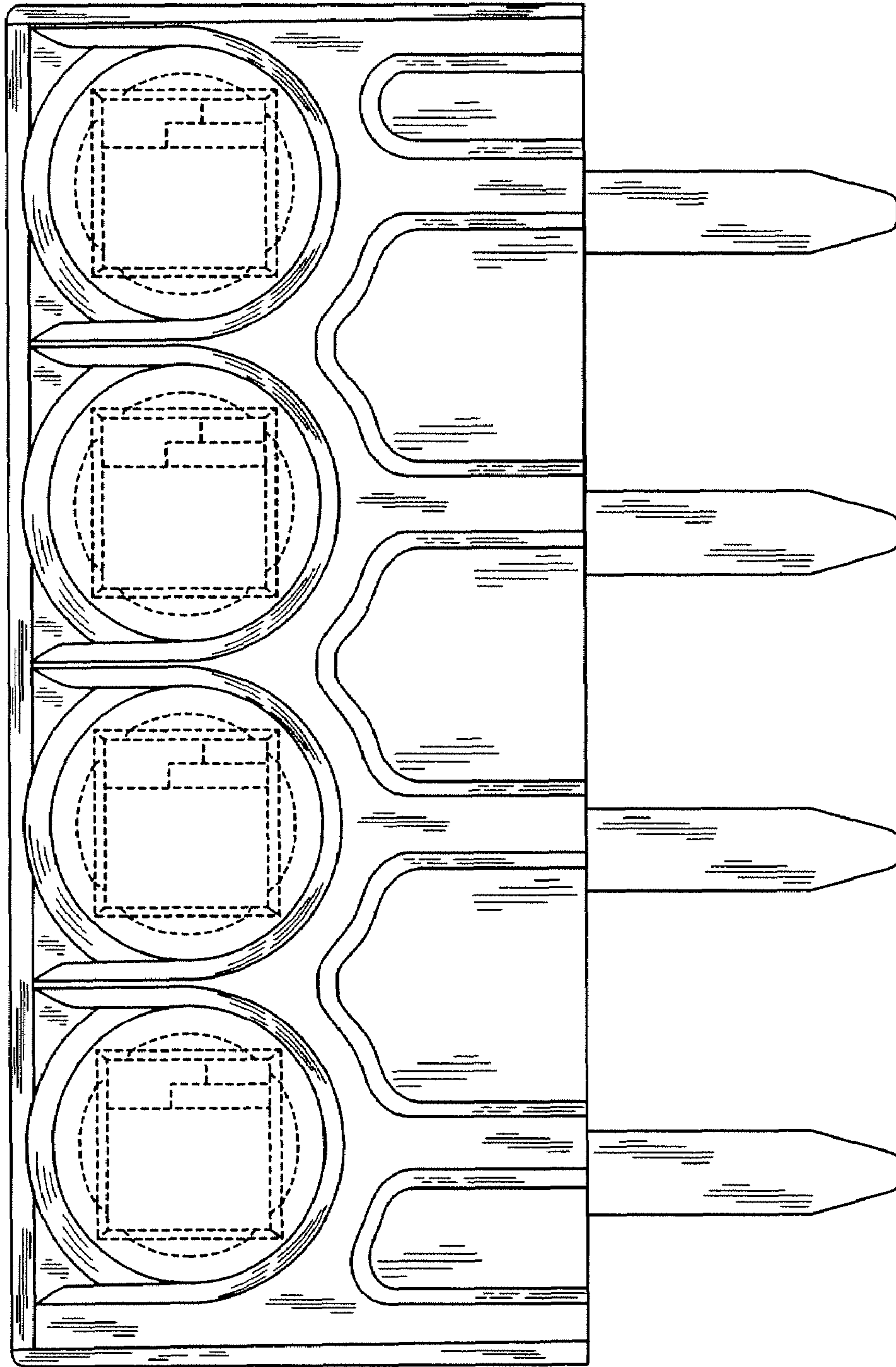


Figure 7