



US00D598852S

(12) **United States Design Patent**  
**Jun**

(10) **Patent No.:** **US D598,852 S**

(45) **Date of Patent:** **\*\* Aug. 25, 2009**

(54) **IGNITION PLUG FOR INTERNAL COMBUSTION ENGINE**

7,040,280 B1 \* 5/2006 Drake ..... 123/298  
7,309,951 B2 \* 12/2007 Cleeves ..... 313/140  
D571,726 S \* 6/2008 Garrett ..... D13/127

(76) Inventor: **Byoung Pyo Jun**, LG 1-Apartment  
104-202, Sungbok-dong, Gyeonggi-Do,  
Sugi-Gu (KR)

\* cited by examiner

*Primary Examiner*—Daniel D Bui  
*Assistant Examiner*—Thomas J Johannes  
(74) *Attorney, Agent, or Firm*—Cantor Colburn LLP

(\*\*) Term: **14 Years**

(21) Appl. No.: **29/329,276**

(22) Filed: **Dec. 11, 2008**

(30) **Foreign Application Priority Data**

Jun. 11, 2008 (KR) ..... 30-2008-24894

(51) **LOC (9) Cl.** ..... **13-03**

(52) **U.S. Cl.** ..... **D13/127**

(58) **Field of Classification Search** ..... D13/123,  
D13/126, 127, 154; 313/118, 141, 142, 143,  
313/144, 122, 123, 128

See application file for complete search history.

(56) **References Cited**

**U.S. PATENT DOCUMENTS**

4,206,381 A \* 6/1980 Wax ..... 313/139  
4,484,101 A \* 11/1984 Ibbott ..... 313/142  
5,408,961 A \* 4/1995 Smith ..... 123/169 R  
5,497,045 A \* 3/1996 Matsutani et al. .... 313/141  
D407,067 S \* 3/1999 Ekerson ..... D13/127  
5,969,466 A \* 10/1999 Dibianca ..... 313/139  
6,080,029 A \* 6/2000 Johnson et al. .... 445/7  
D494,136 S \* 8/2004 Vesecky ..... D13/127

(57) **CLAIM**

I claim, the ornamental design for ignition plug for internal combustion engine, as shown and described.

**DESCRIPTION**

FIG. 1 is a perspective view of ignition plug for internal combustion engine, showing my new design;

FIG. 2 is a front elevational view thereof;

FIG. 3 is a rear elevational view thereof;

FIG. 4 is a left side elevational view thereof;

FIG. 5 is a right side elevational view thereof;

FIG. 6 is a top plan view thereof;

FIG. 7 is a bottom plan view thereof; and,

FIG. 8 is a front / rear elevation view thereof in a typical usage environment.

The broken line portion of FIG. 8 is included to show an unclaimed internal combustion engine usage environment and forms no part of the claimed design.

**1 Claim, 5 Drawing Sheets**

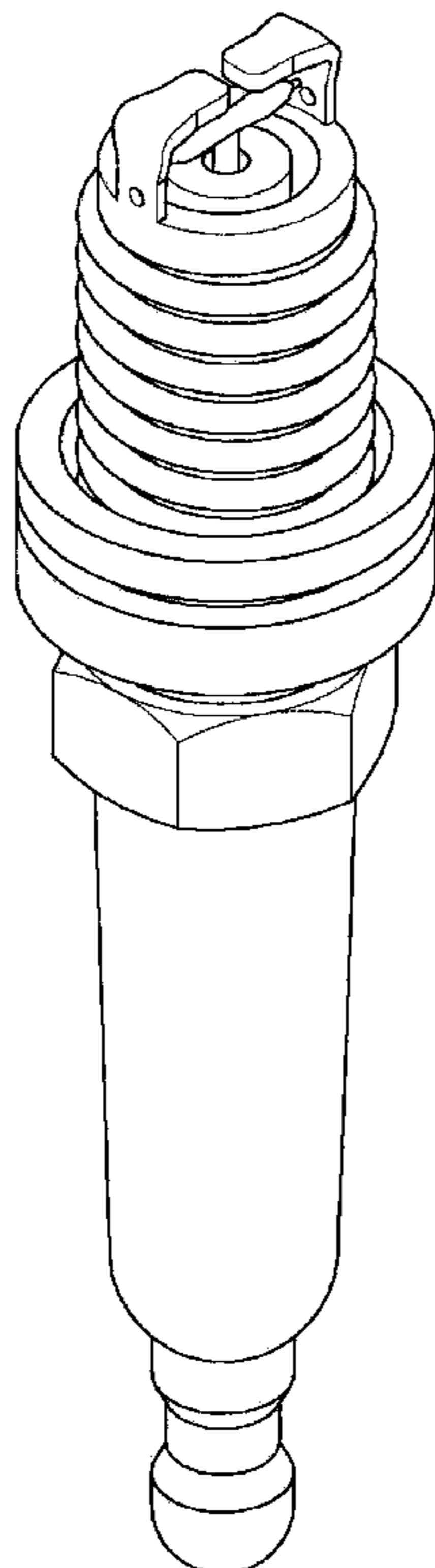


FIG. 1

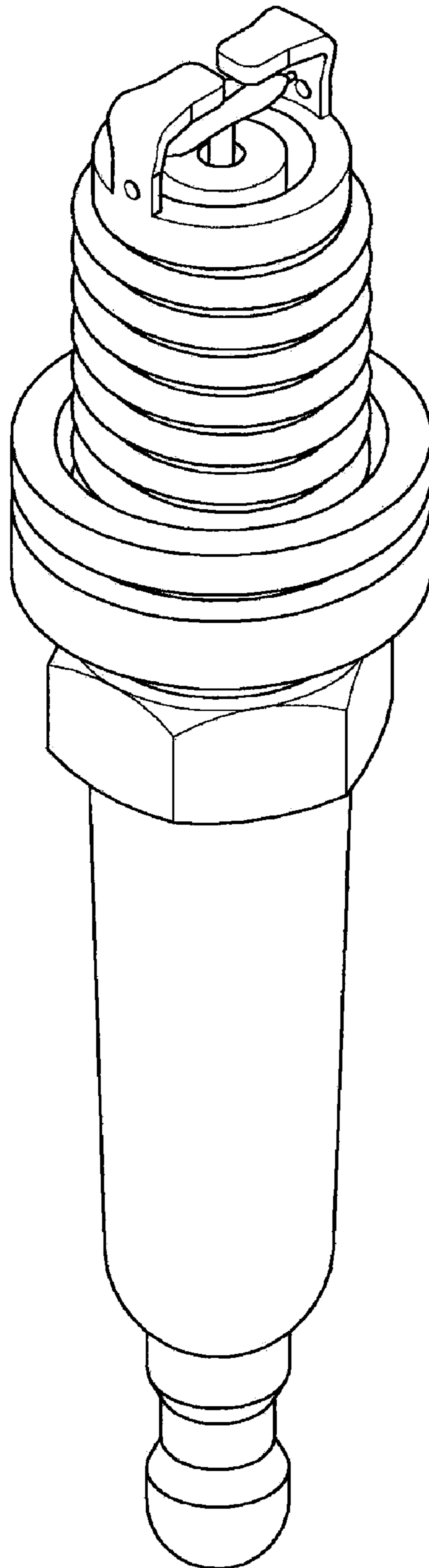


FIG.2

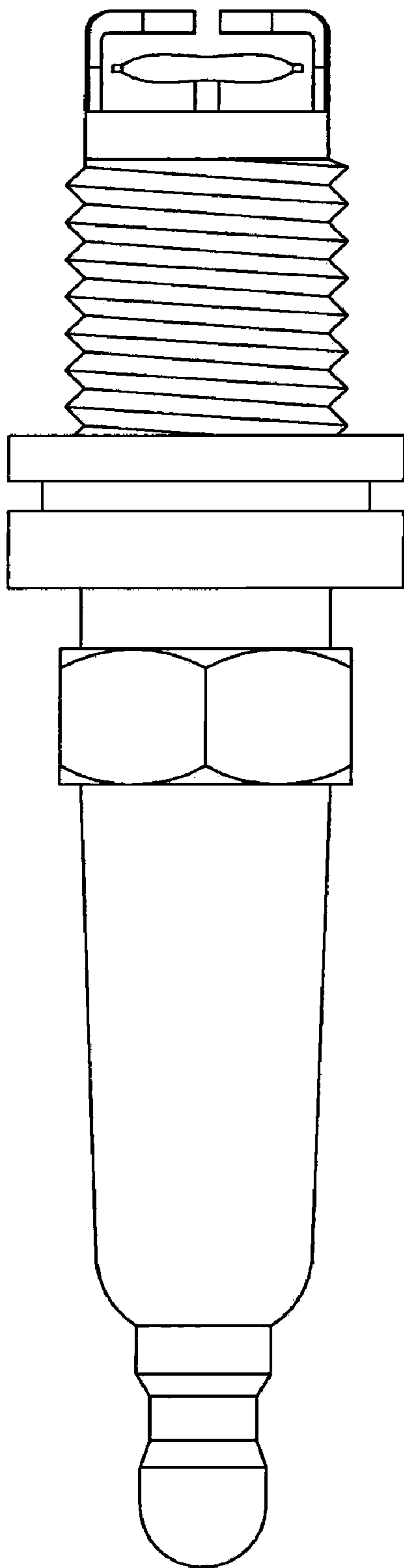


FIG.3

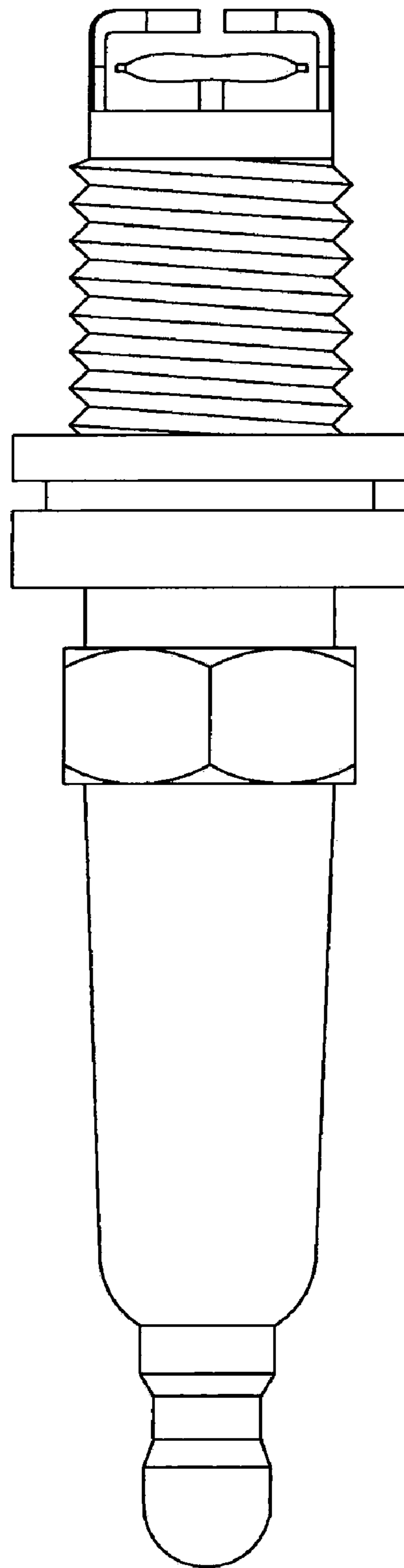


FIG.4

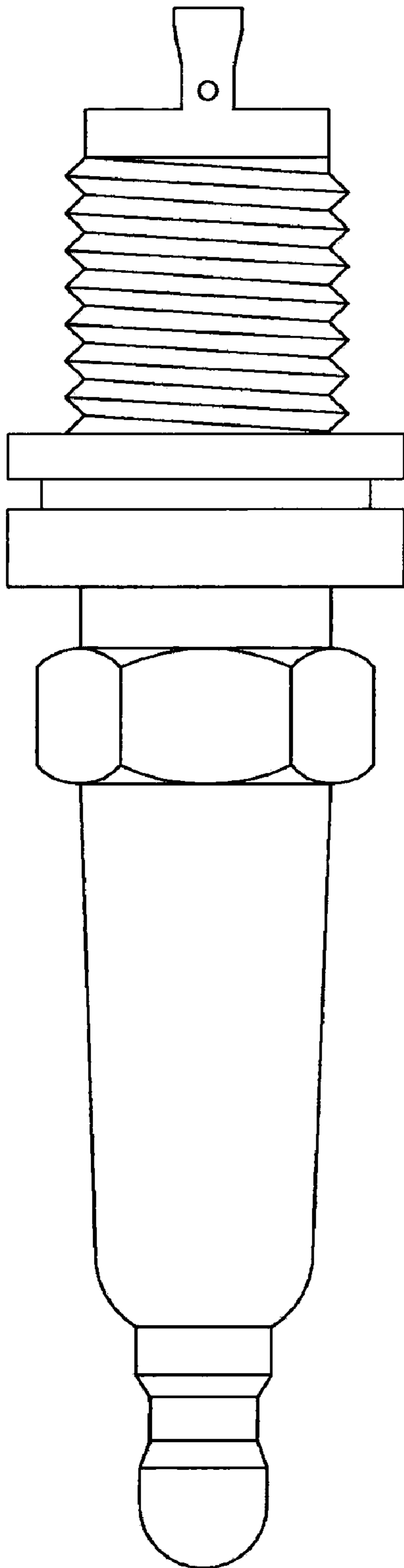


FIG.5

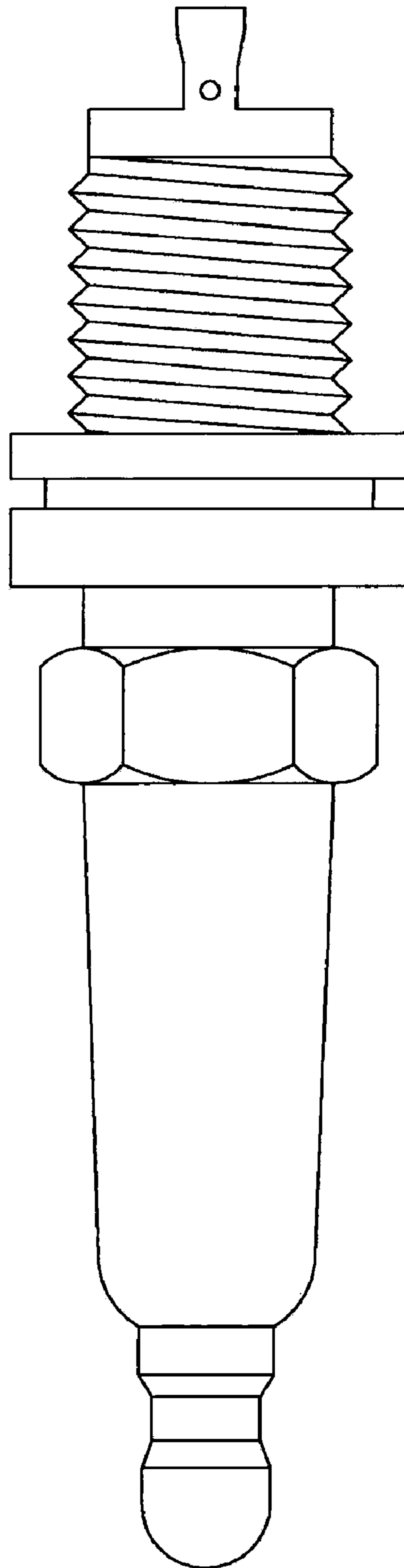


FIG. 6

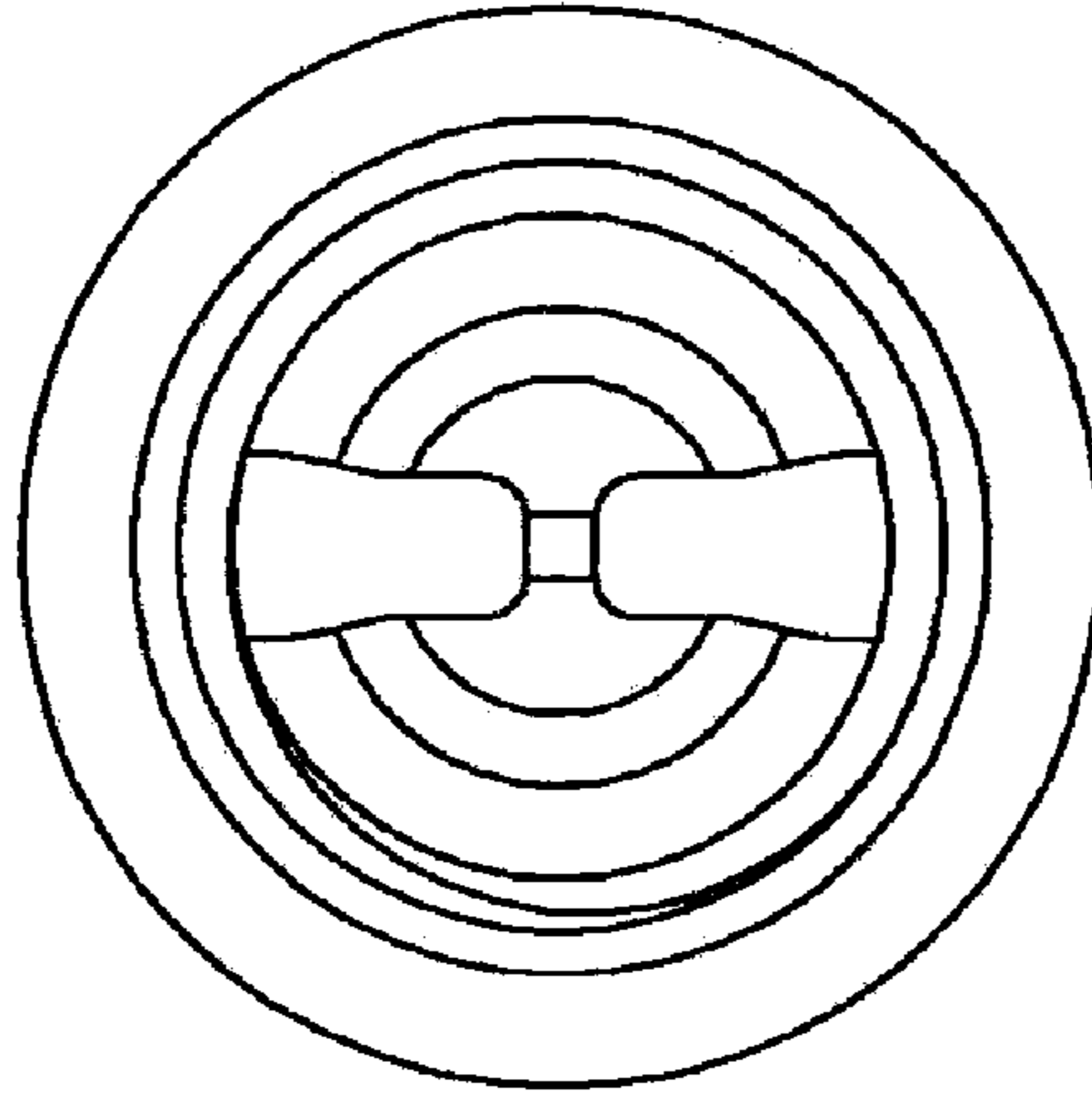


FIG. 7

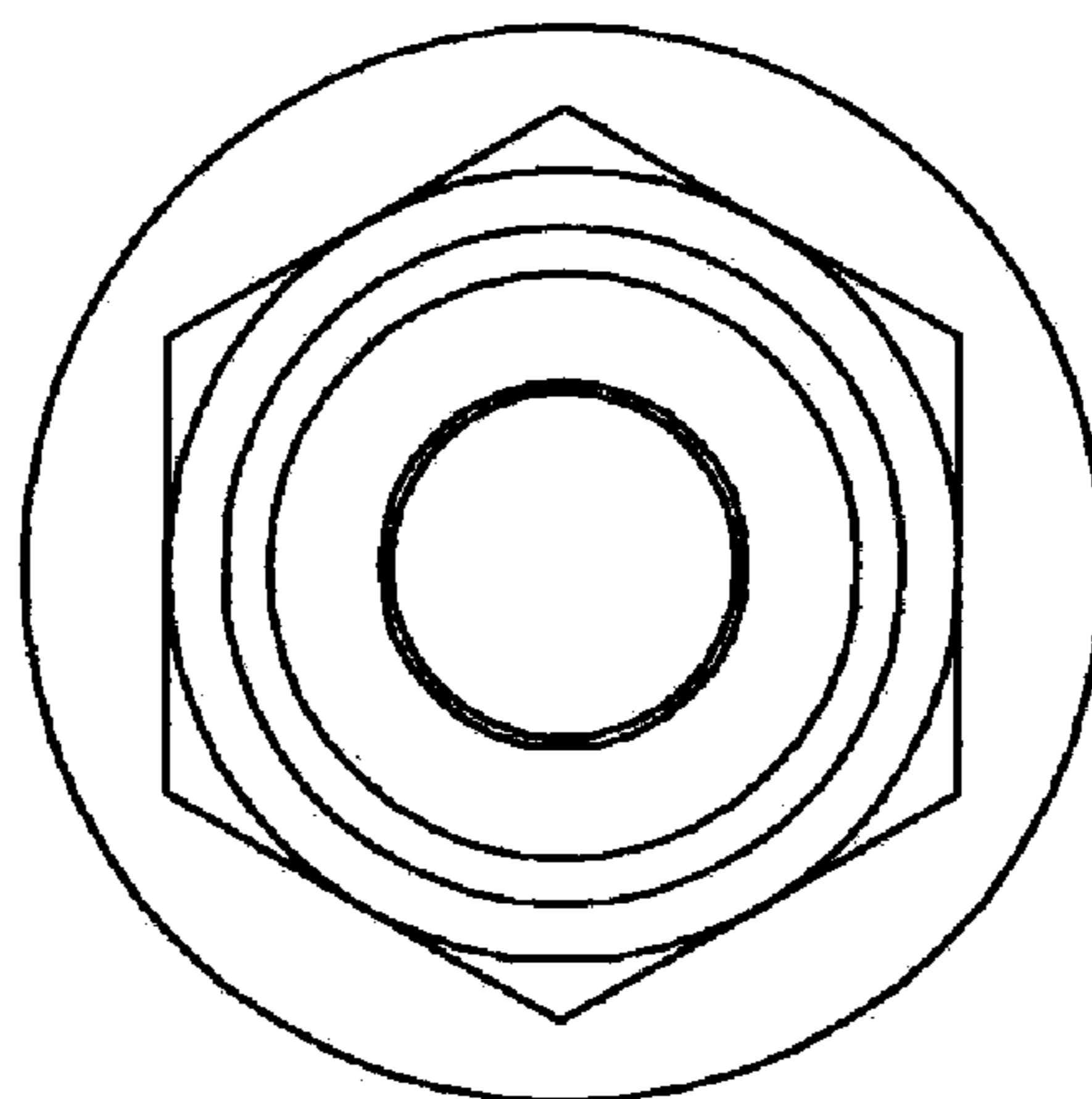


FIG. 8

