



US00D598851S

(12) **United States Design Patent**
Jun

(10) **Patent No.:** **US D598,851 S**

(45) **Date of Patent:** **** Aug. 25, 2009**

(54) **IGNITION PLUG FOR INTERNAL COMBUSTION ENGINE**

D571,726 S * 6/2008 Garrett D13/127

* cited by examiner

(76) Inventor: **Byoung Pyo Jun**, LG 1 Apartment
104-202, Sungbok-dong, Sugi-gu,
Gyeonggi-do (KR)

Primary Examiner—Daniel D Bui

Assistant Examiner—Thomas J Johannes

(74) *Attorney, Agent, or Firm*—Cantor Colburn LLP

(**) Term: **14 Years**

(57) **CLAIM**

(21) Appl. No.: **29/325,211**

I claim, the ornamental design for ignition plug for internal combustion engine, as shown and described.

(22) Filed: **Sep. 26, 2008**

(51) **LOC (9) Cl.** **13-03**

(52) **U.S. Cl.** **D13/127**

(58) **Field of Classification Search** D13/123,
D13/126, 127, 154; 313/118, 141, 142, 143,
313/144, 122, 123, 128

See application file for complete search history.

DESCRIPTION

FIG. 1 is a perspective view of ignition plug for internal combustion engine, showing my new design;

FIG. 2 is a front elevational view thereof;

FIG. 3 is a rear elevational view thereof;

FIG. 4 is a left side elevational view thereof;

FIG. 5 is a right side elevational view thereof;

FIG. 6 is a top plan view thereof, enlarged for clarity of detail;

FIG. 7 is a bottom plan view thereof, enlarged for clarity of detail; and,

FIG. 8 is a front elevation view thereof in a typical usage environment.

The broken line portion of FIG. 8 is included to show an unclaimed internal combustion engine usage environment and forms no part of the claimed design.

(56) **References Cited**

U.S. PATENT DOCUMENTS

4,206,381	A *	6/1980	Wax	313/139
4,484,101	A *	11/1984	Ibbott	313/142
5,408,961	A *	4/1995	Smith	123/169 R
5,497,045	A *	3/1996	Matsutani et al.	313/141
D407,067	S *	3/1999	Ekerson	D13/127
5,969,466	A *	10/1999	Dibianca	313/139
6,080,029	A *	6/2000	Johnson et al.	445/7
D494,136	S *	8/2004	Vesecky	D13/127
7,040,280	B1 *	5/2006	Drake	123/298
7,309,951	B2 *	12/2007	Cleeves	313/140

1 Claim, 8 Drawing Sheets

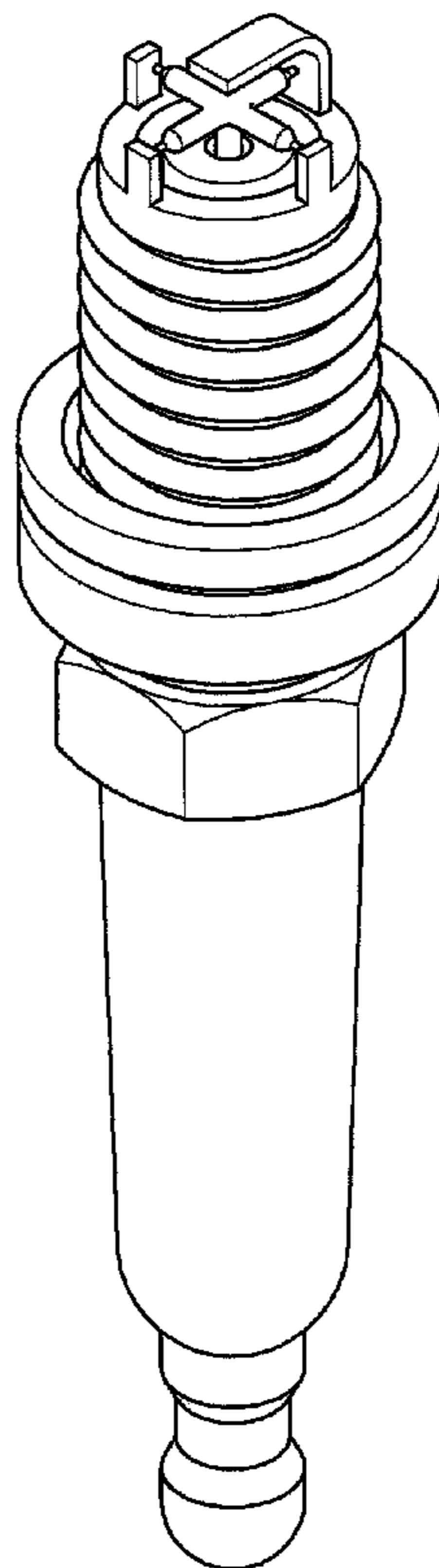


FIG. 1

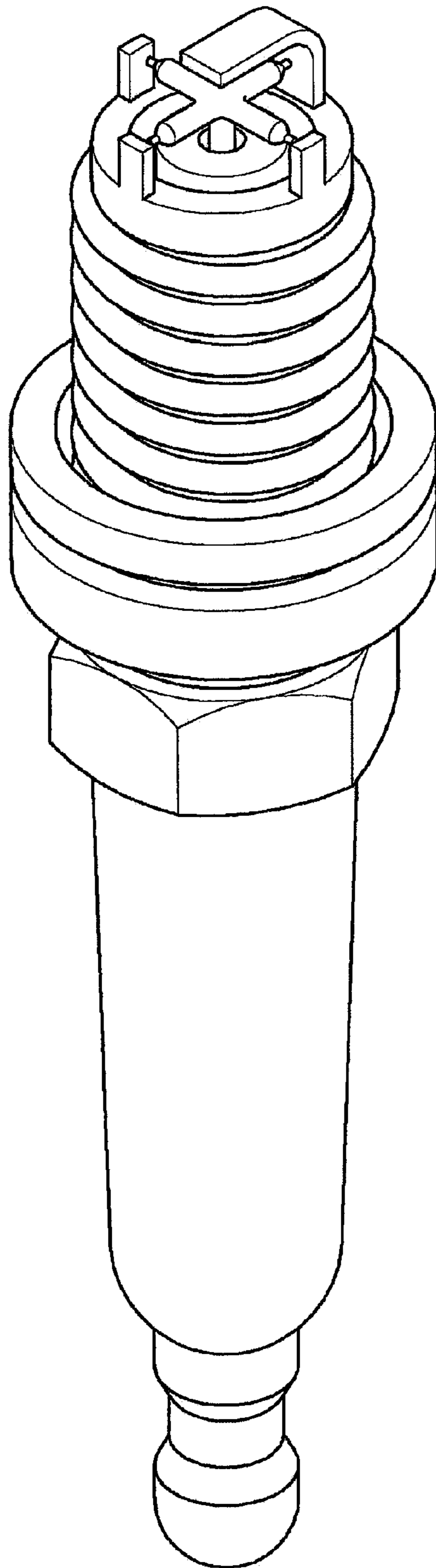


FIG. 2

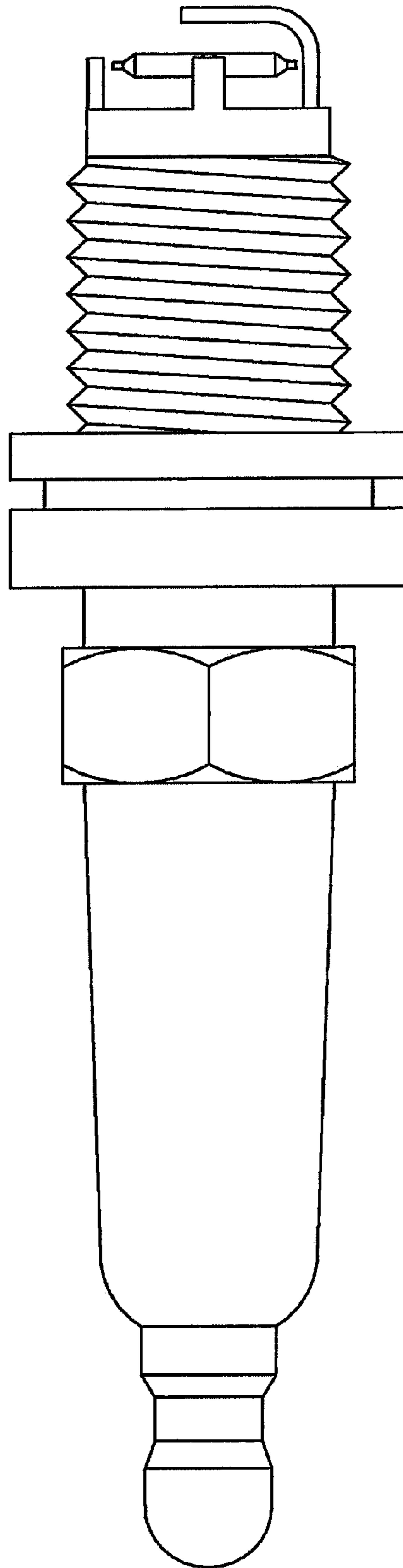


FIG. 3

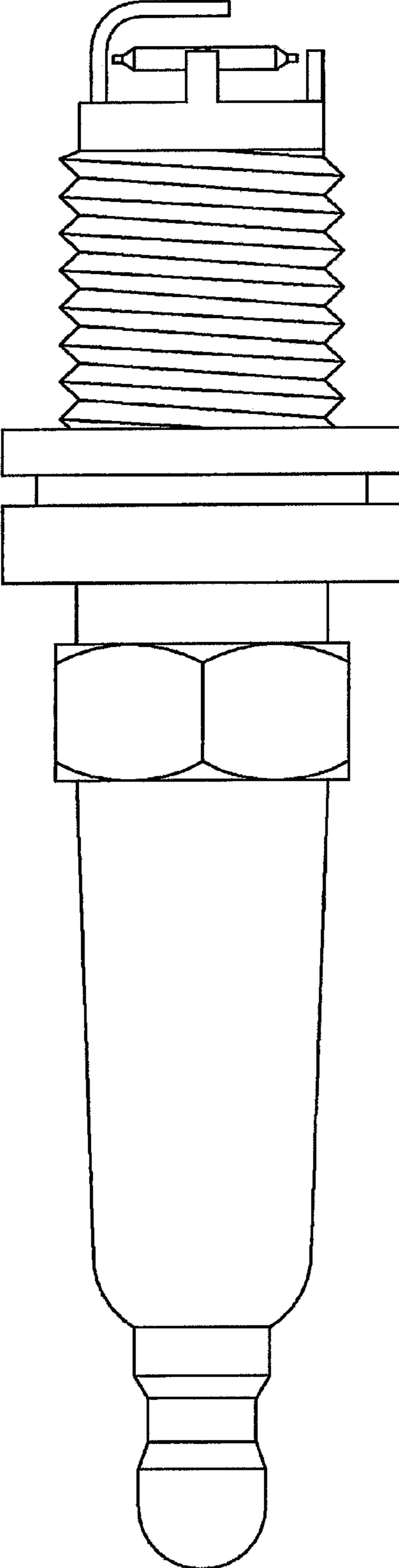


FIG. 4

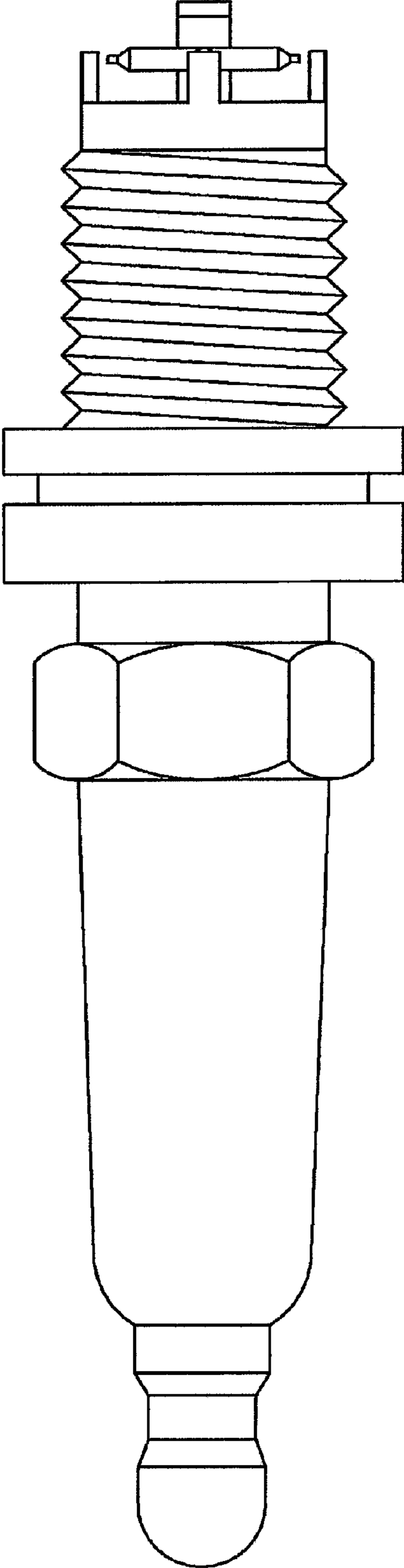


FIG.5

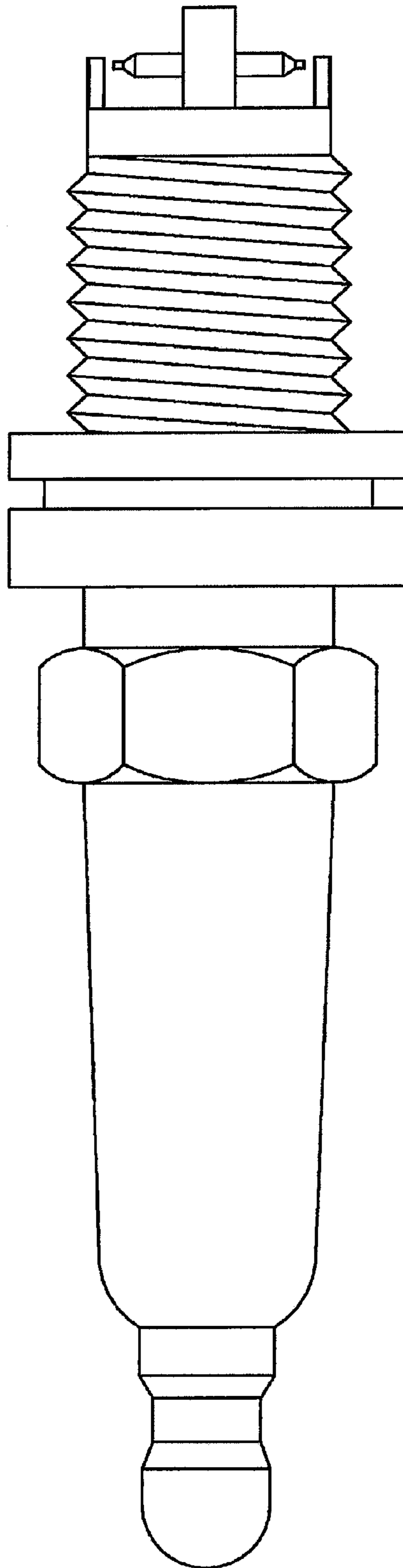


FIG. 6

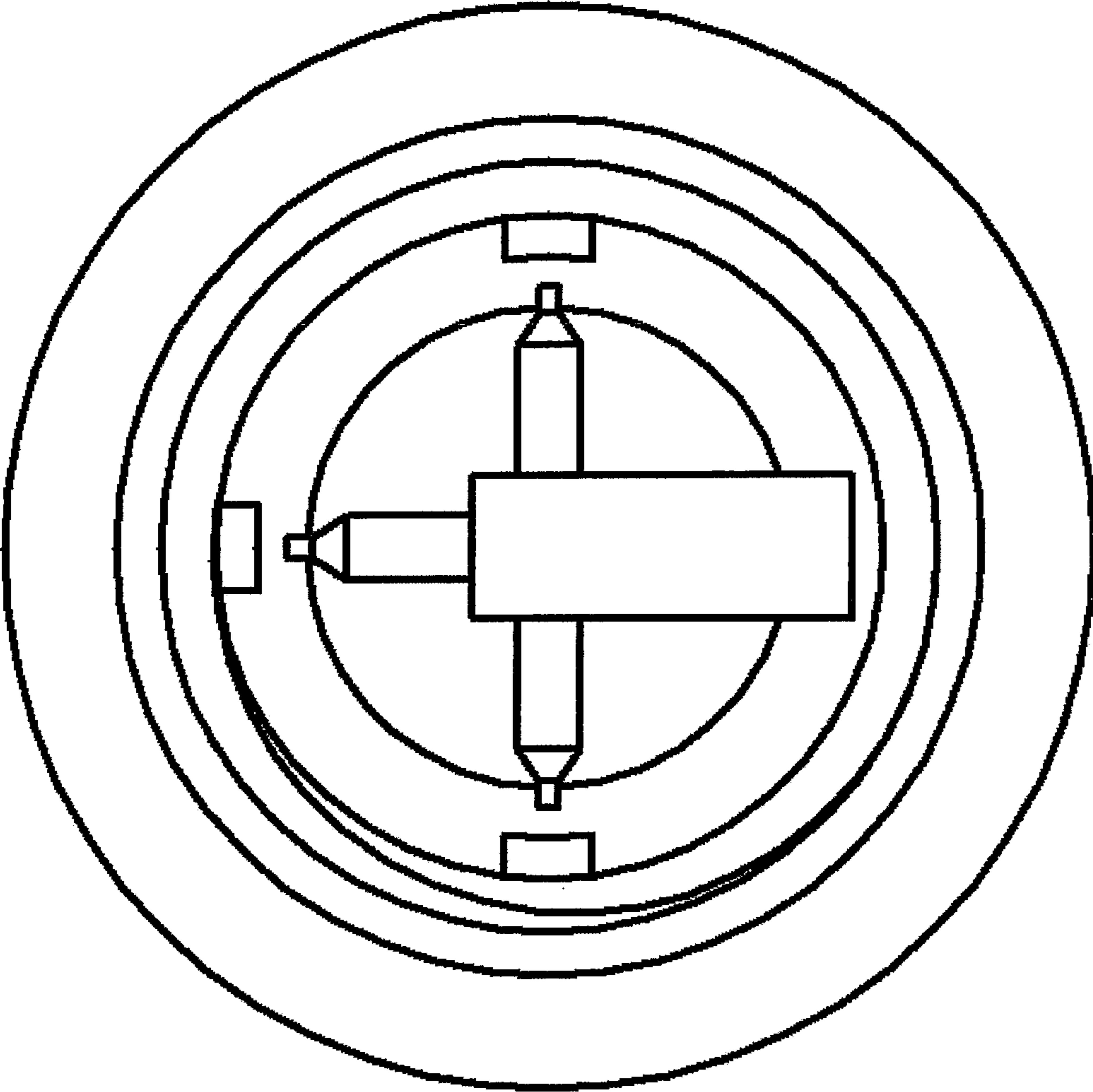


FIG. 7

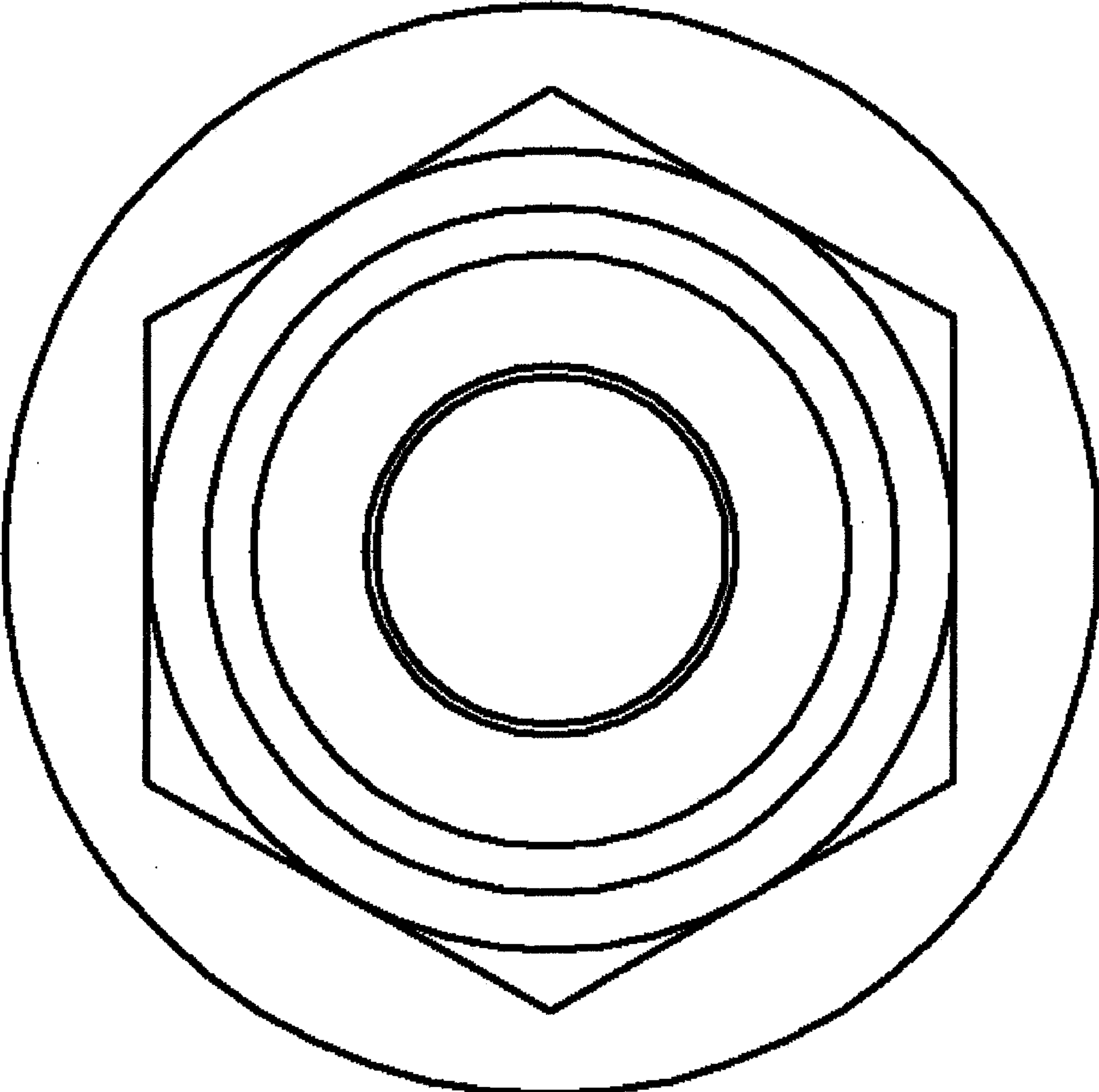


FIG. 8

