



US00D598850S

(12) **United States Design Patent**
Jun

(10) **Patent No.:** **US D598,850 S**

(45) **Date of Patent:** **** Aug. 25, 2009**

(54) **IGNITION PLUG FOR INTERNAL COMBUSTION ENGINE**

D571,726 S * 6/2008 Garrett D13/127

* cited by examiner

(76) Inventor: **Byoung Pyo Jun**, LG 1 Apartment
104-202, Sungbok-dong, Sugi-gu,
Gyeonggi-do (KR)

Primary Examiner—Daniel D Bui
Assistant Examiner—Thomas J Johannes
(74) *Attorney, Agent, or Firm*—Cantor Colburn LLP

(**) Term: **14 Years**

(57) **CLAIM**

(21) Appl. No.: **29/325,209**

I claim, the ornamental design for ignition plug for internal combustion engine, as shown and described.

(22) Filed: **Sep. 26, 2008**

(51) **LOC (9) Cl.** **13-03**

(52) **U.S. Cl.** **D13/127**

(58) **Field of Classification Search** D13/123,
D13/126, 127, 154; 313/118, 141, 142, 143,
313/144, 122, 123, 128

See application file for complete search history.

DESCRIPTION

FIG. 1 is a perspective view of ignition plug for internal combustion engine, showing my new design;

FIG. 2 is a front elevational view thereof;

FIG. 3 is a rear elevational view thereof;

FIG. 4 is a left side elevational view thereof;

FIG. 5 is a right side elevational view thereof;

FIG. 6 is a top plan view thereof, enlarged for clarity of detail;

FIG. 7 is a bottom plan view thereof, enlarged for clarity of detail; and,

FIG. 8 is a front elevation view thereof in a typical usage environment.

The broken line portion of FIG. 8 is included to show an unclaimed internal combustion engine usage environment and forms no part of the claimed design.

(56) **References Cited**

U.S. PATENT DOCUMENTS

| | | | | | |
|-----------|------|---------|------------------|-------|-----------|
| 4,206,381 | A * | 6/1980 | Wax | | 313/139 |
| 4,484,101 | A * | 11/1984 | Ibbott | | 313/142 |
| 5,408,961 | A * | 4/1995 | Smith | | 123/169 R |
| 5,497,045 | A * | 3/1996 | Matsutani et al. | | 313/141 |
| D407,067 | S * | 3/1999 | Ekerson | | D13/127 |
| 5,969,466 | A * | 10/1999 | Dibianca | | 313/139 |
| 6,080,029 | A * | 6/2000 | Johnson et al. | | 445/7 |
| D494,136 | S * | 8/2004 | Vesecky | | D13/127 |
| 7,040,280 | B1 * | 5/2006 | Drake | | 123/298 |
| 7,309,951 | B2 * | 12/2007 | Cleaves | | 313/140 |

1 Claim, 8 Drawing Sheets

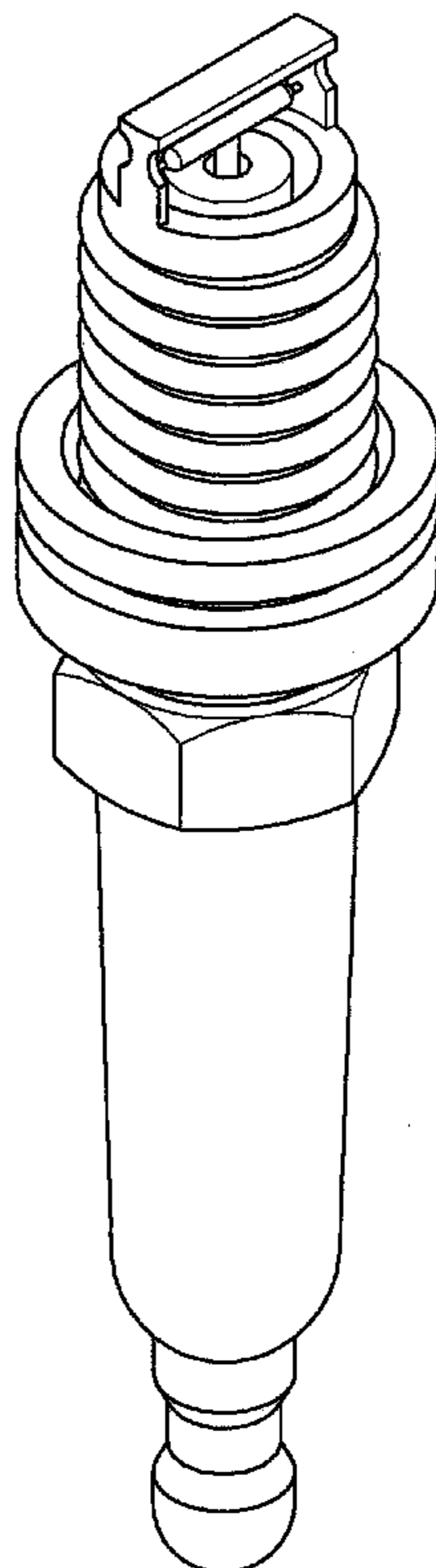


FIG. 1

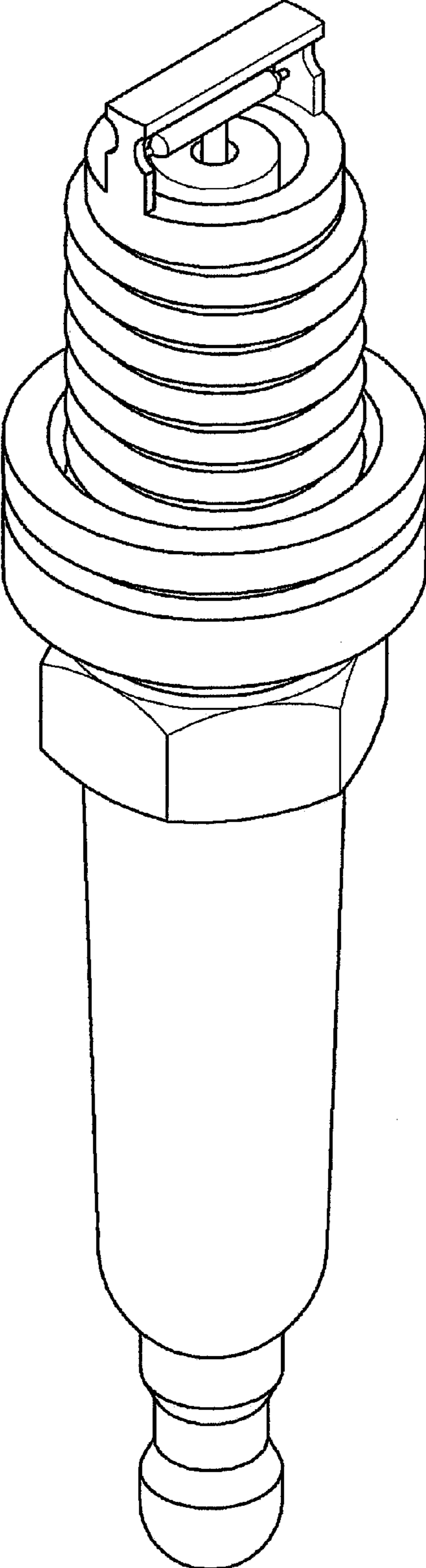


FIG.2

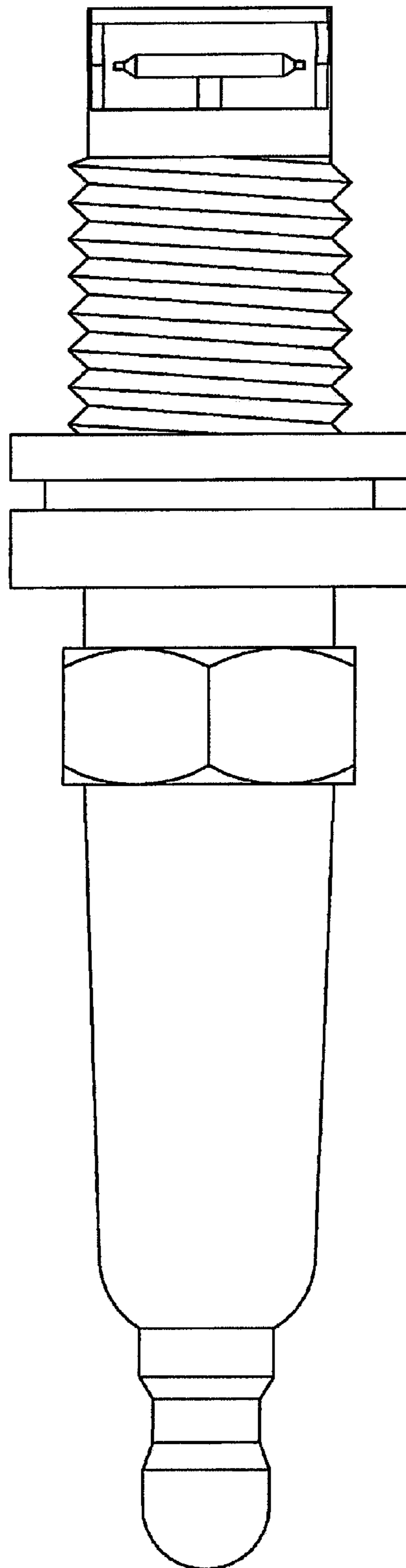


FIG.3

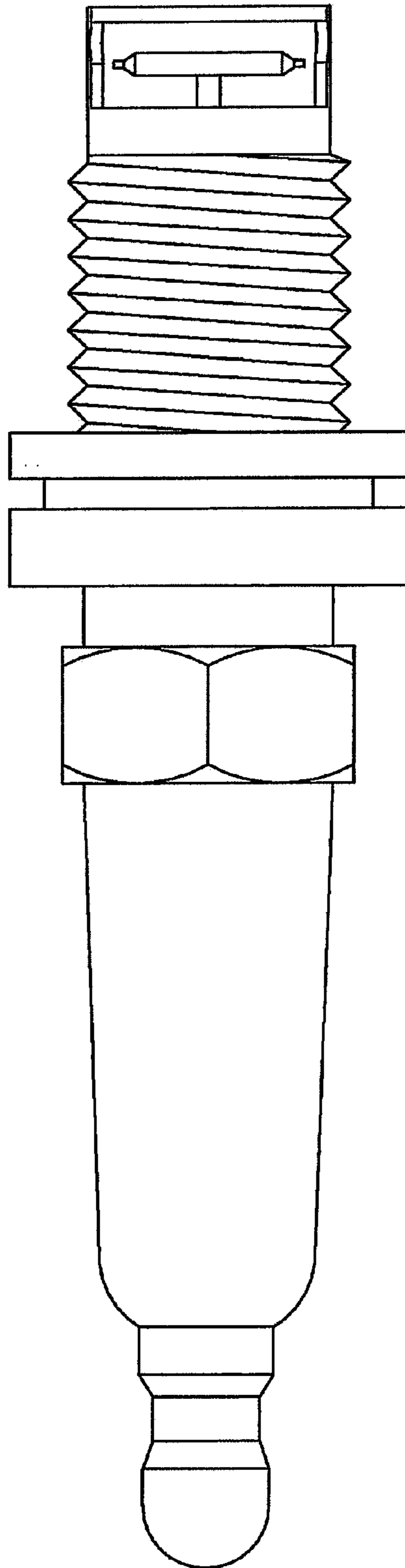


FIG.4

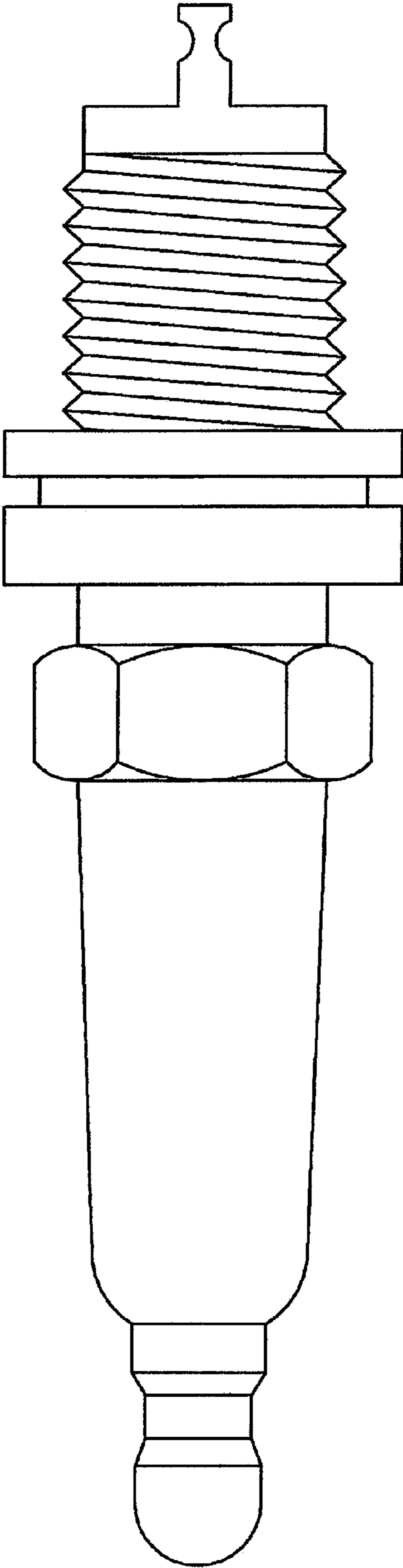


FIG.5

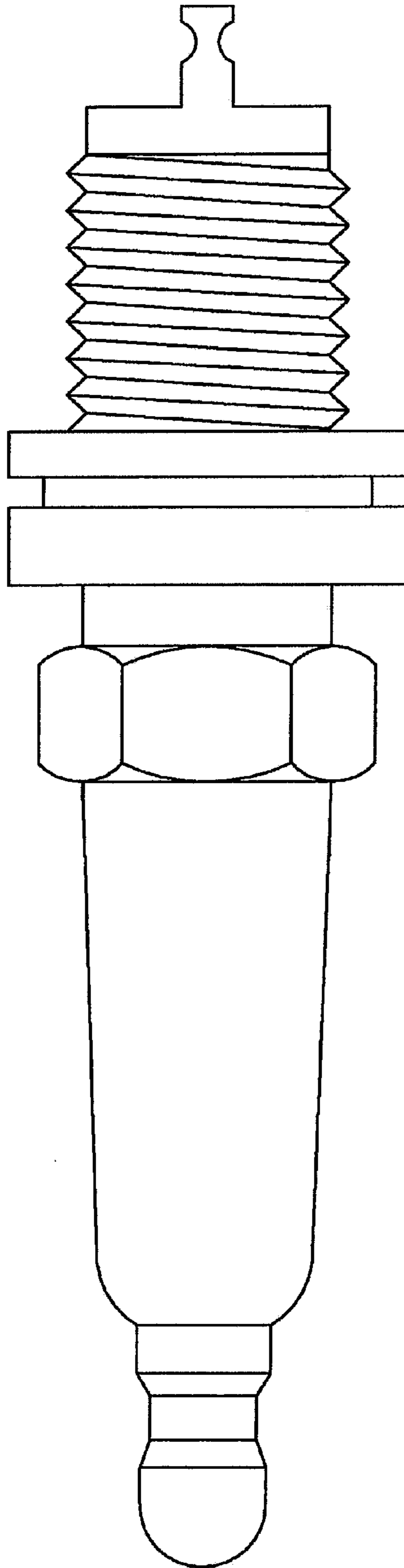


FIG. 6

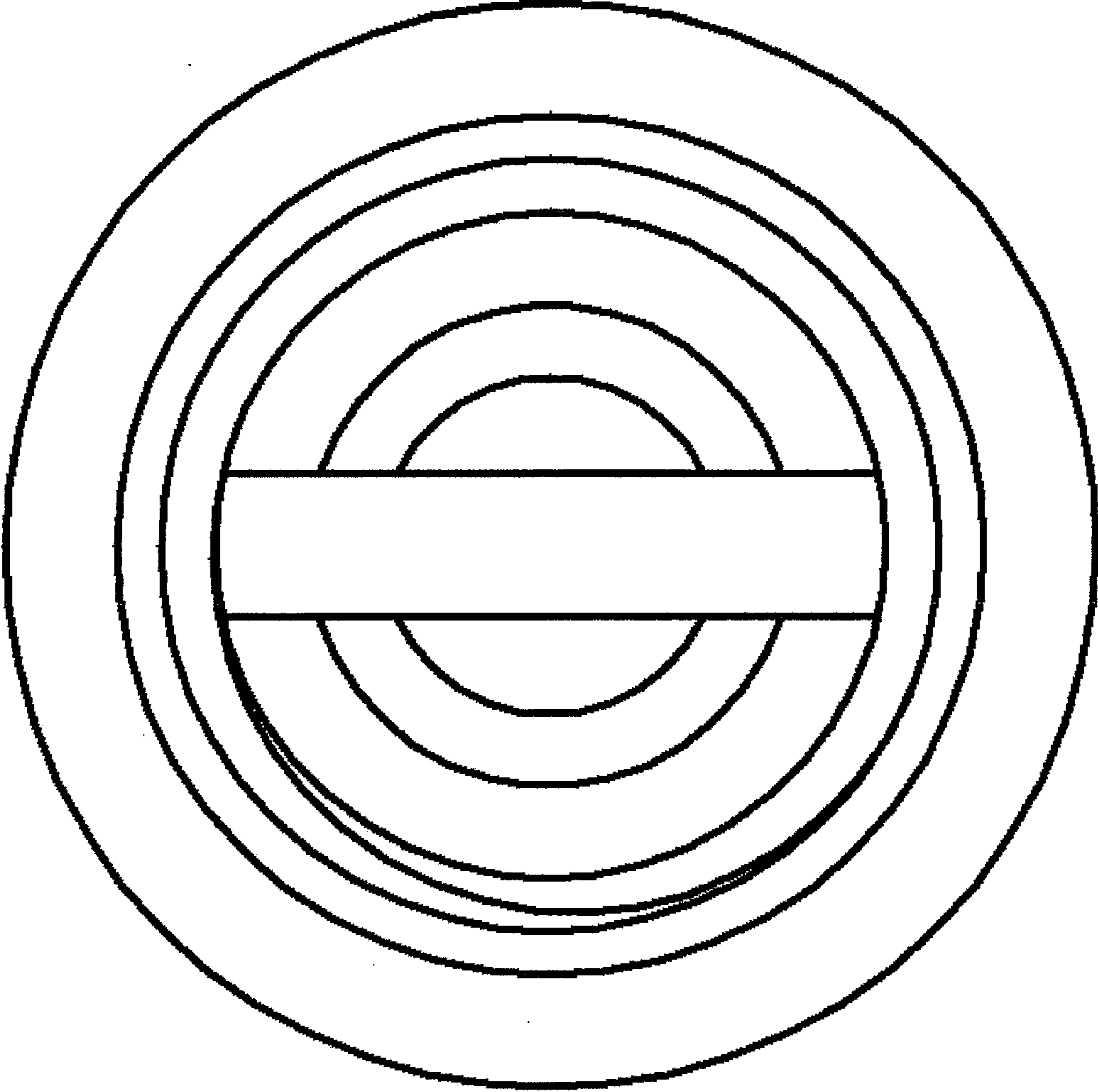


FIG. 7

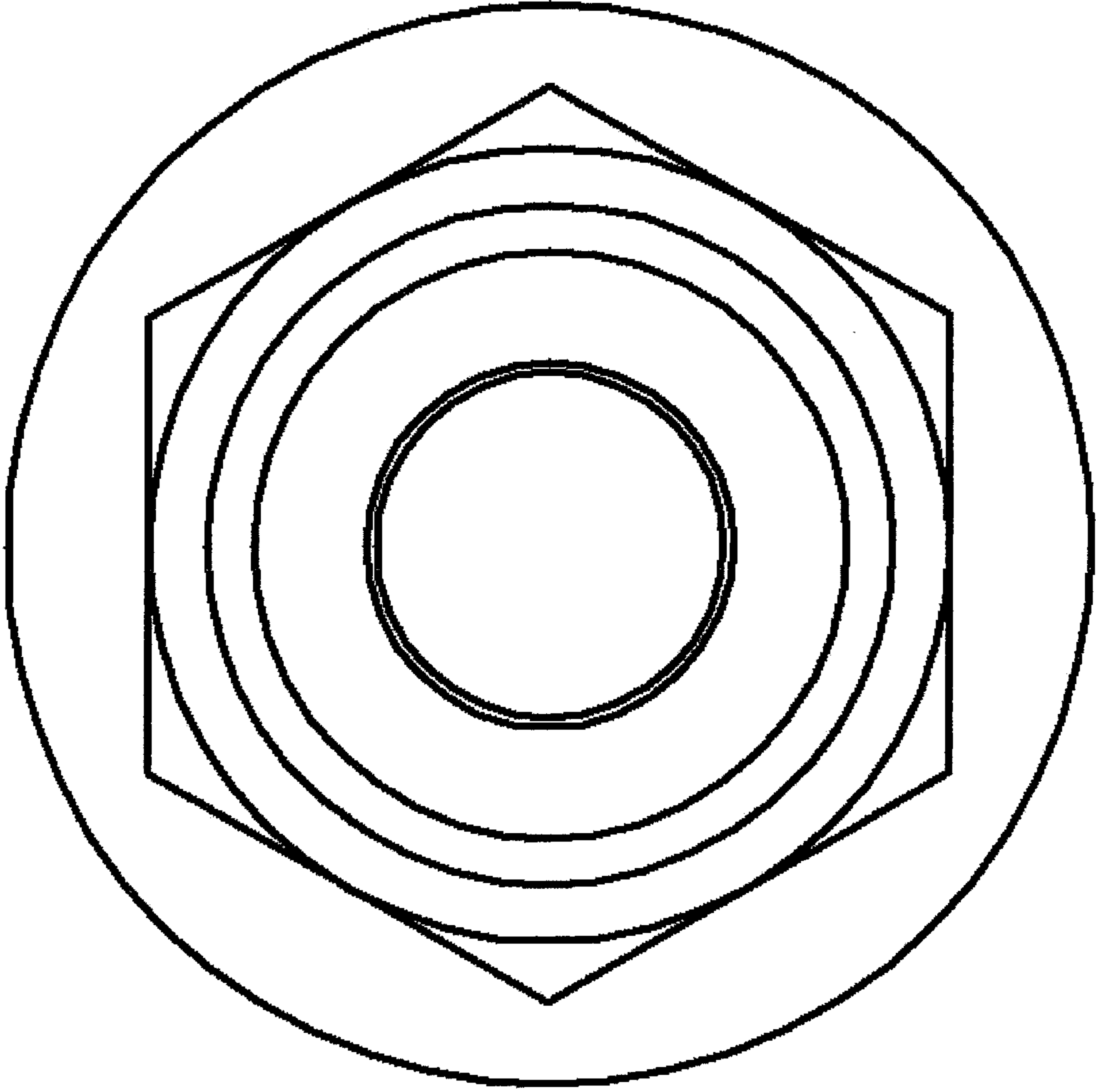


FIG. 8

