

US00D598845S

(12) **United States Design Patent**
Kingston et al.

(10) **Patent No.:** **US D598,845 S**

(45) **Date of Patent:** **** Aug. 25, 2009**

(54) **CHARGER**

(75) Inventors: **Ronald J. Kingston**, Syracuse, NY
(US); **Serge W. Traylor**, University City,
MO (US)

(73) Assignee: **Eveready Battery Co., Inc.**, St. Louis,
MO (US)

(**) Term: **14 Years**

(21) Appl. No.: **29/330,799**

(22) Filed: **Jan. 14, 2009**

(51) **LOC (9) Cl.** **13-02**

(52) **U.S. Cl.** **D13/107**

(58) **Field of Classification Search** D13/102,
D13/107-110, 118-119, 184; D14/251,
D14/253, 432, 434; 320/107-115

See application file for complete search history.

(56) **References Cited**

U.S. PATENT DOCUMENTS

D442,544 S *	5/2001	Ku	D13/107
D456,004 S *	4/2002	Lie	D13/107
D463,360 S *	9/2002	Lie	D13/107
D465,452 S *	11/2002	Lie	D13/107
D466,075 S *	11/2002	Lie	D13/107
6,876,172 B2 *	4/2005	Lam et al.	320/110
D513,731 S *	1/2006	Kang et al.	D13/107
D515,501 S *	2/2006	Kawasaki	D13/107
D526,271 S *	8/2006	Lie	D13/107

D532,367 S *	11/2006	Kettula et al.	D13/108
D532,370 S *	11/2006	Shimizu	D13/108
D546,281 S *	7/2007	Bell	D13/107
D571,722 S *	6/2008	Kang et al.	D13/107
D573,088 S *	7/2008	Castellucci et al.	D13/107
D574,321 S *	8/2008	Osiecki et al.	D13/107
D576,546 S *	9/2008	Yang	D13/107

* cited by examiner

Primary Examiner—Jennifer Rivard

Assistant Examiner—Rosemary K Tarcza

(74) *Attorney, Agent, or Firm*—Gregory J. Adams

(57) **CLAIM**

We claim the ornamental design for a charger, as shown and described.

DESCRIPTION

FIG. 1 is a front perspective view of the charger.

FIG. 2 is a rear perspective view of the charger.

FIG. 3 is a front view of the charger.

FIG. 4 is a rear view of the charger.

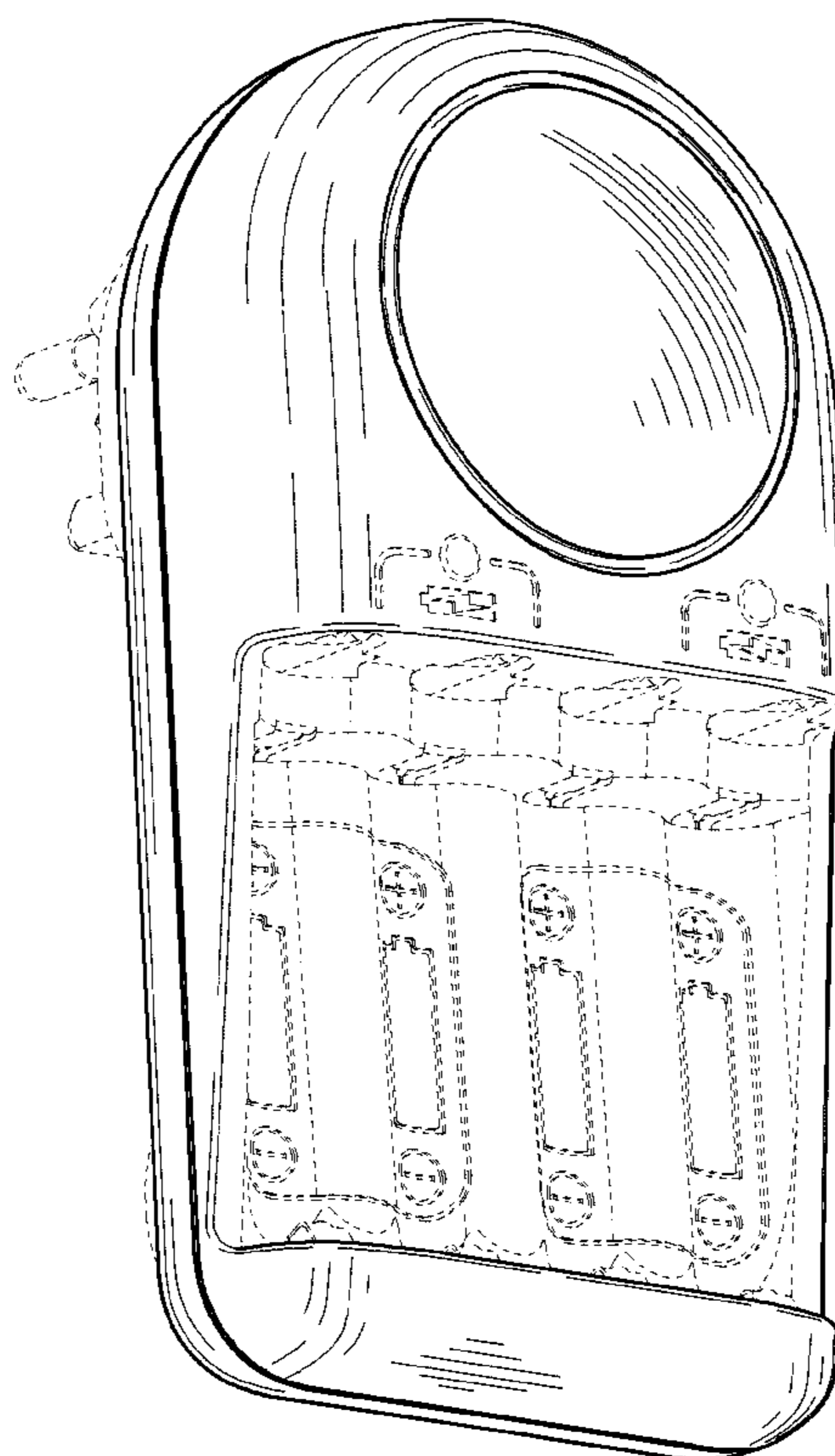
FIG. 5 is a right side view of the charger.

FIG. 6 is a top view of the charger; and,

FIG. 7 is a bottom view of the charger.

Any broken line(s) shown are for illustrative purposes only and form no part of the claimed design.

1 Claim, 6 Drawing Sheets



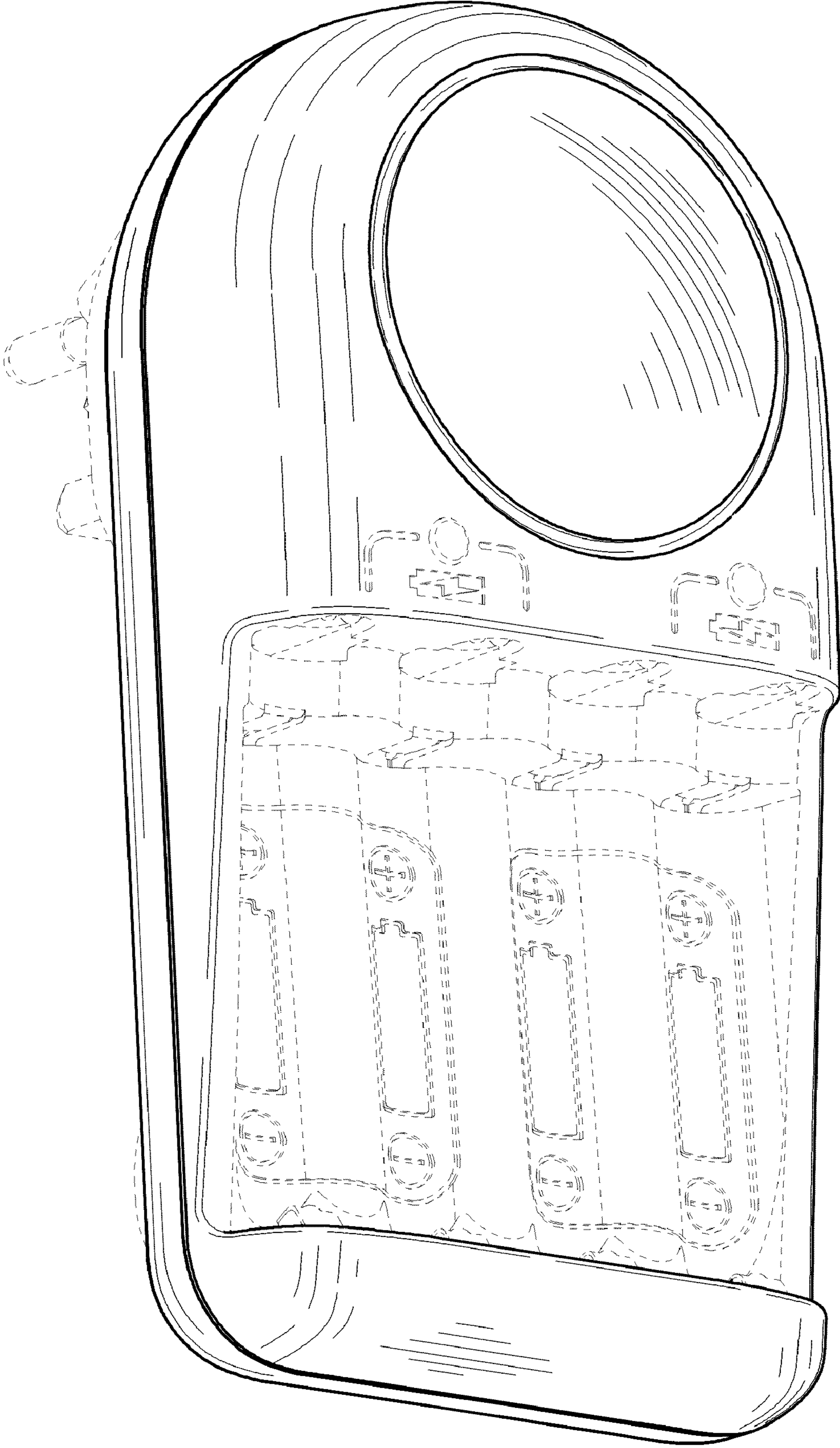


Fig. 1

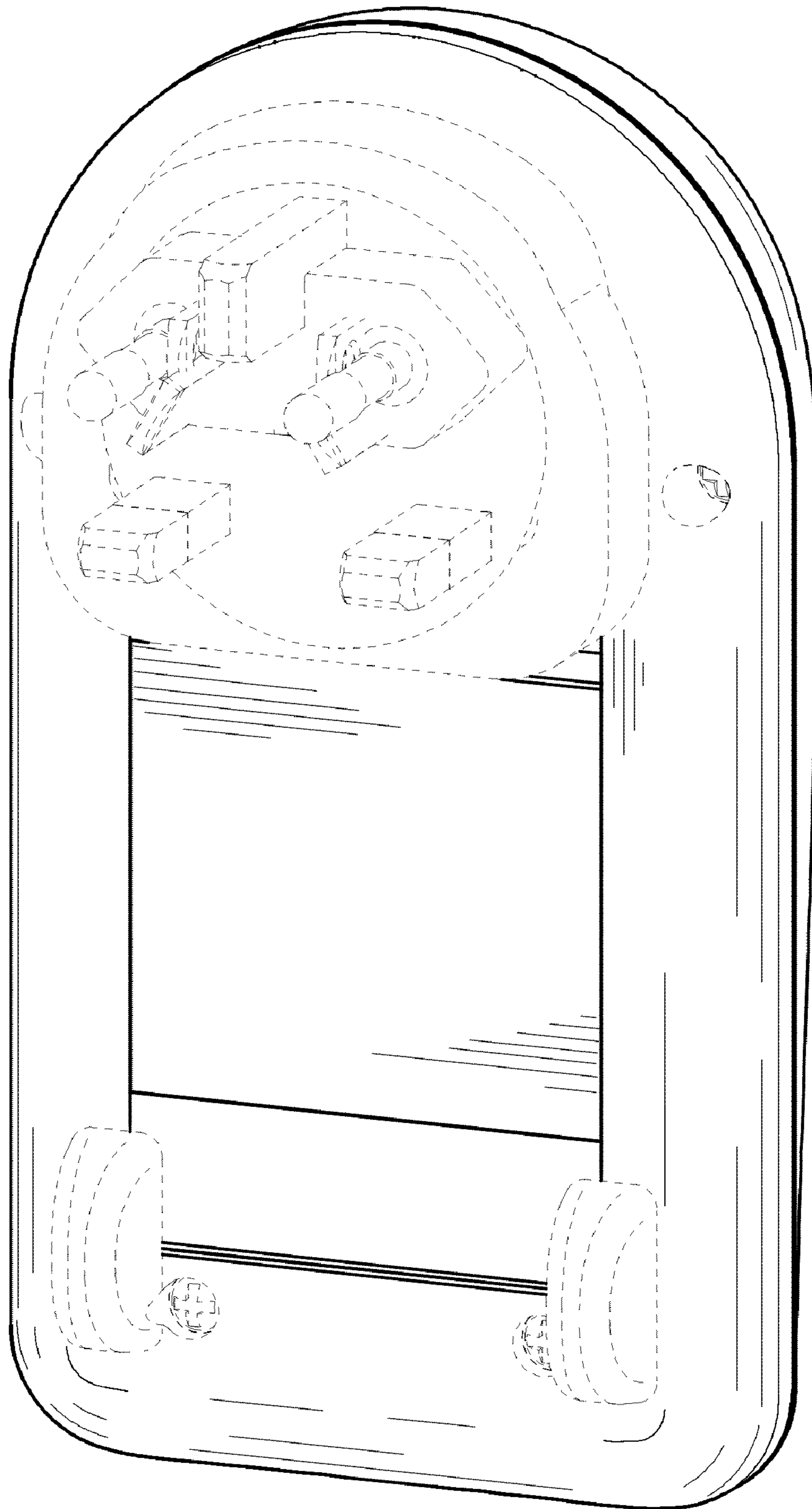


Fig. 2

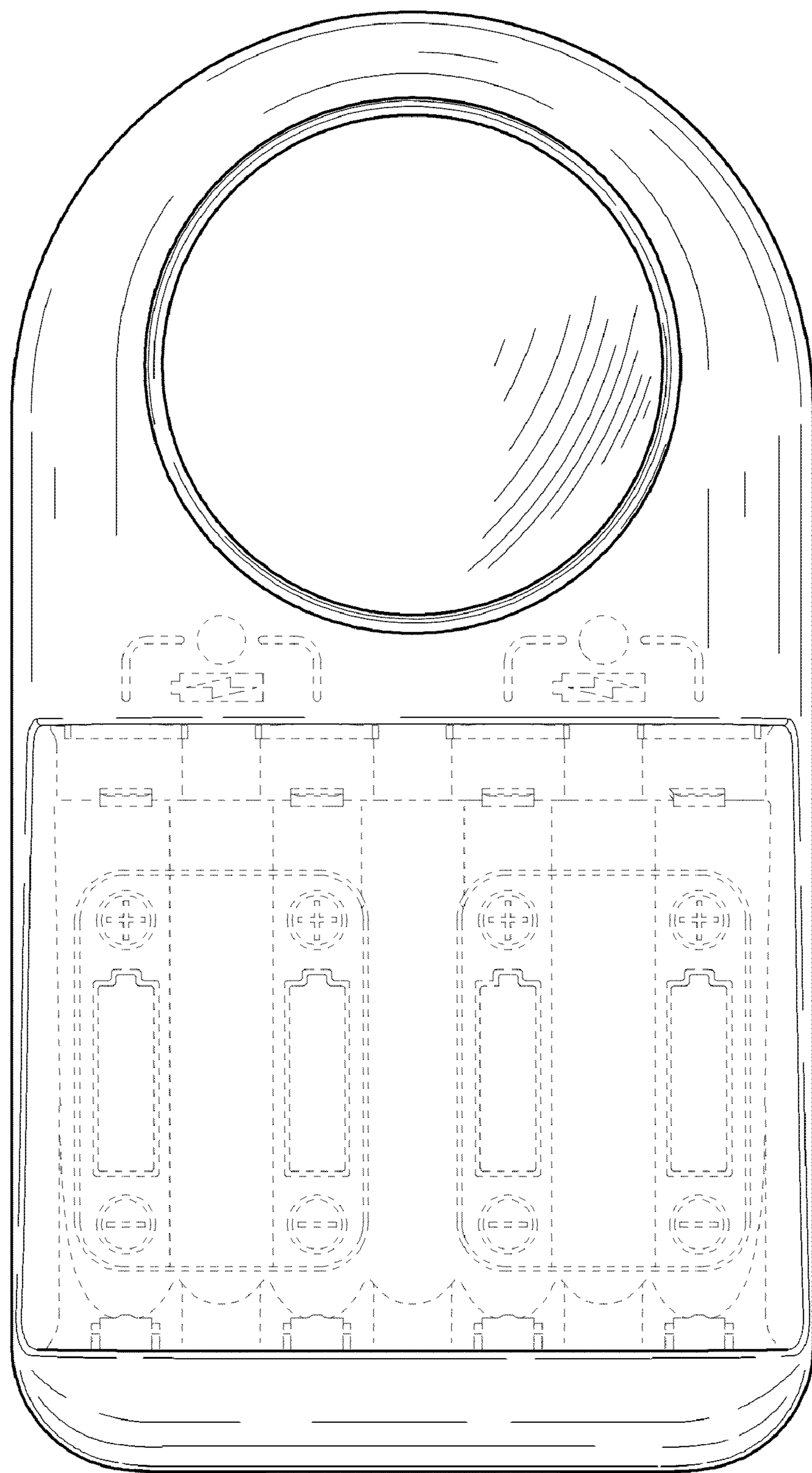


Fig. 3

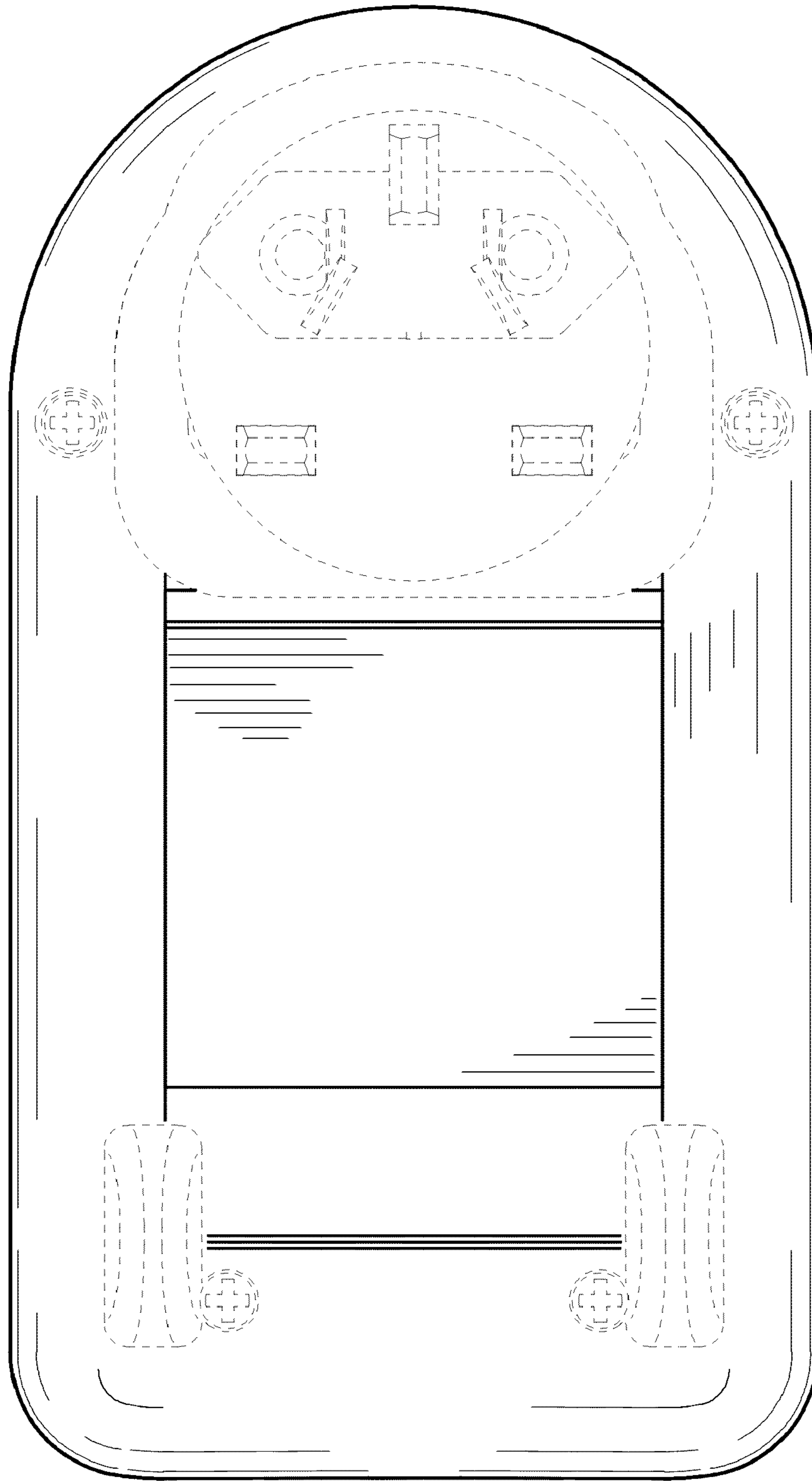


Fig. 4

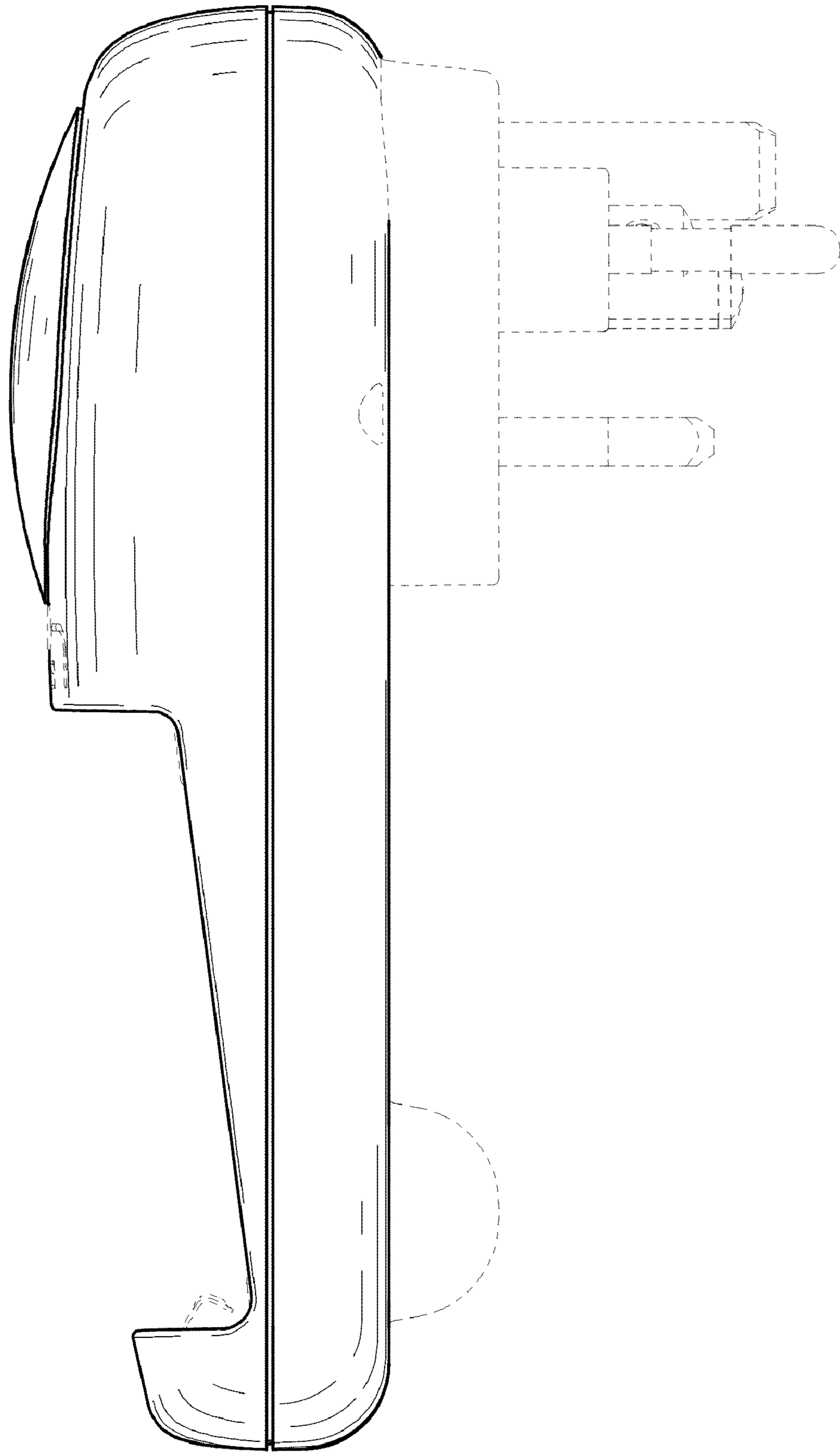


Fig. 5

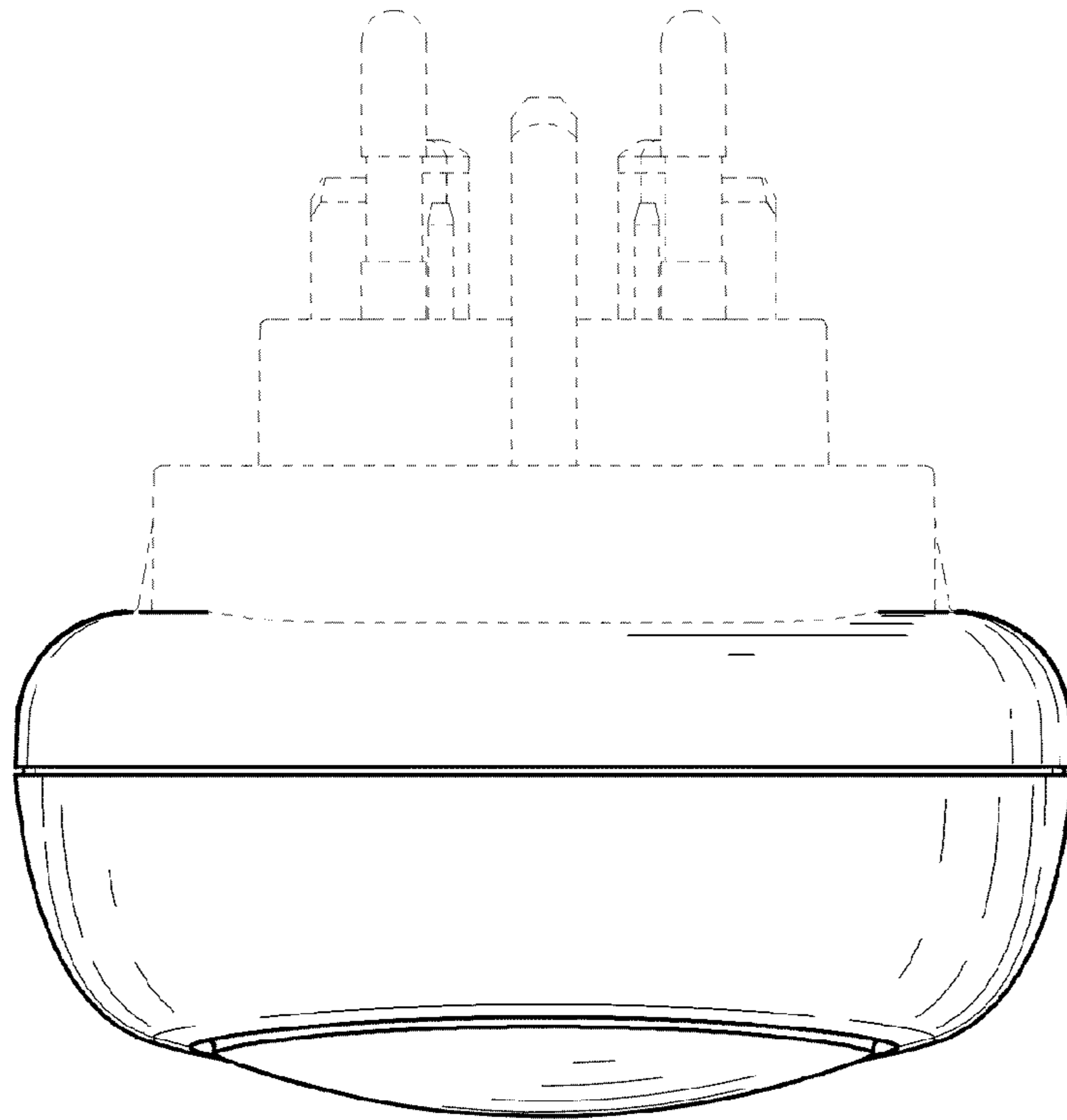


Fig. 6

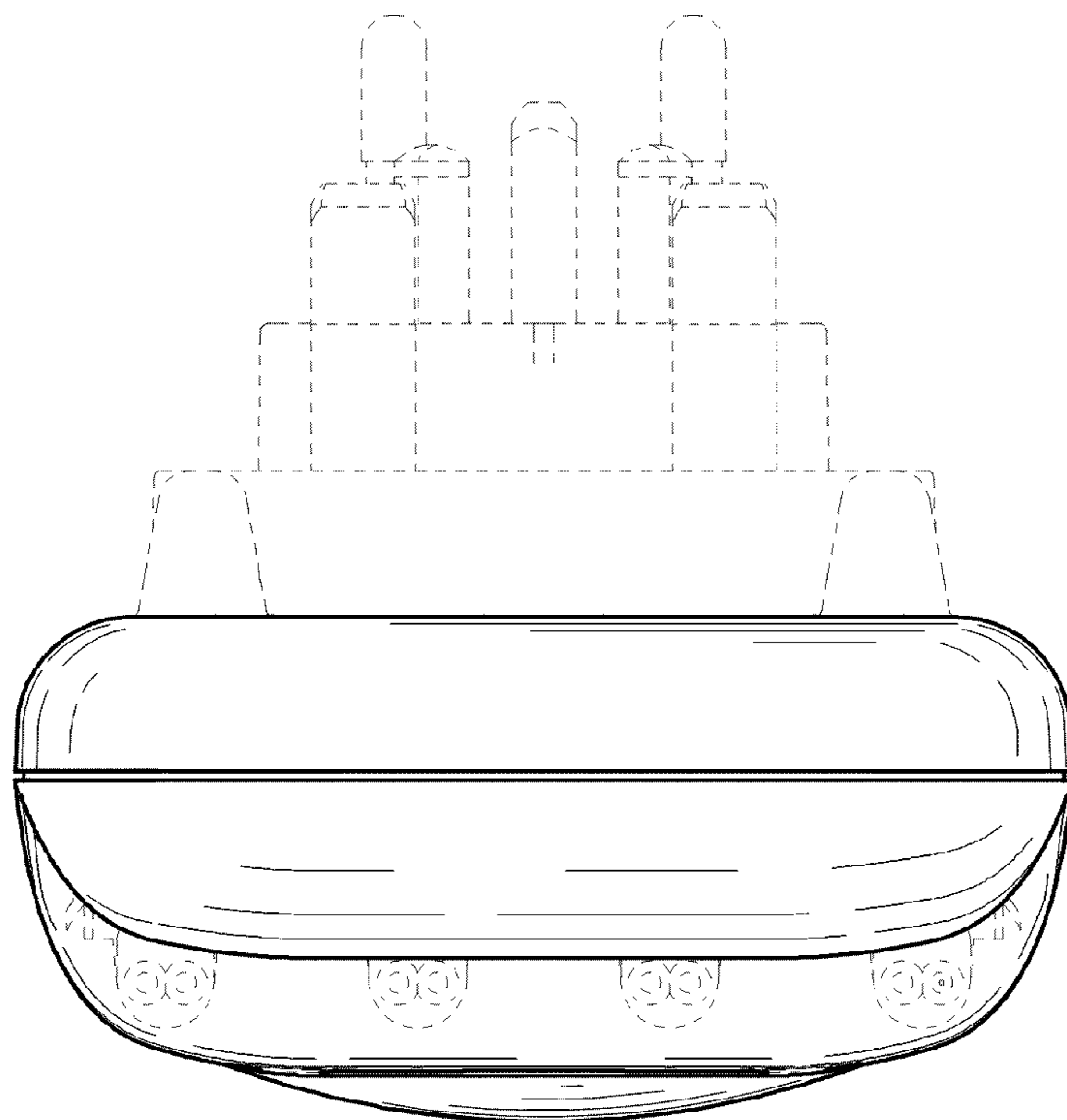


Fig. 7